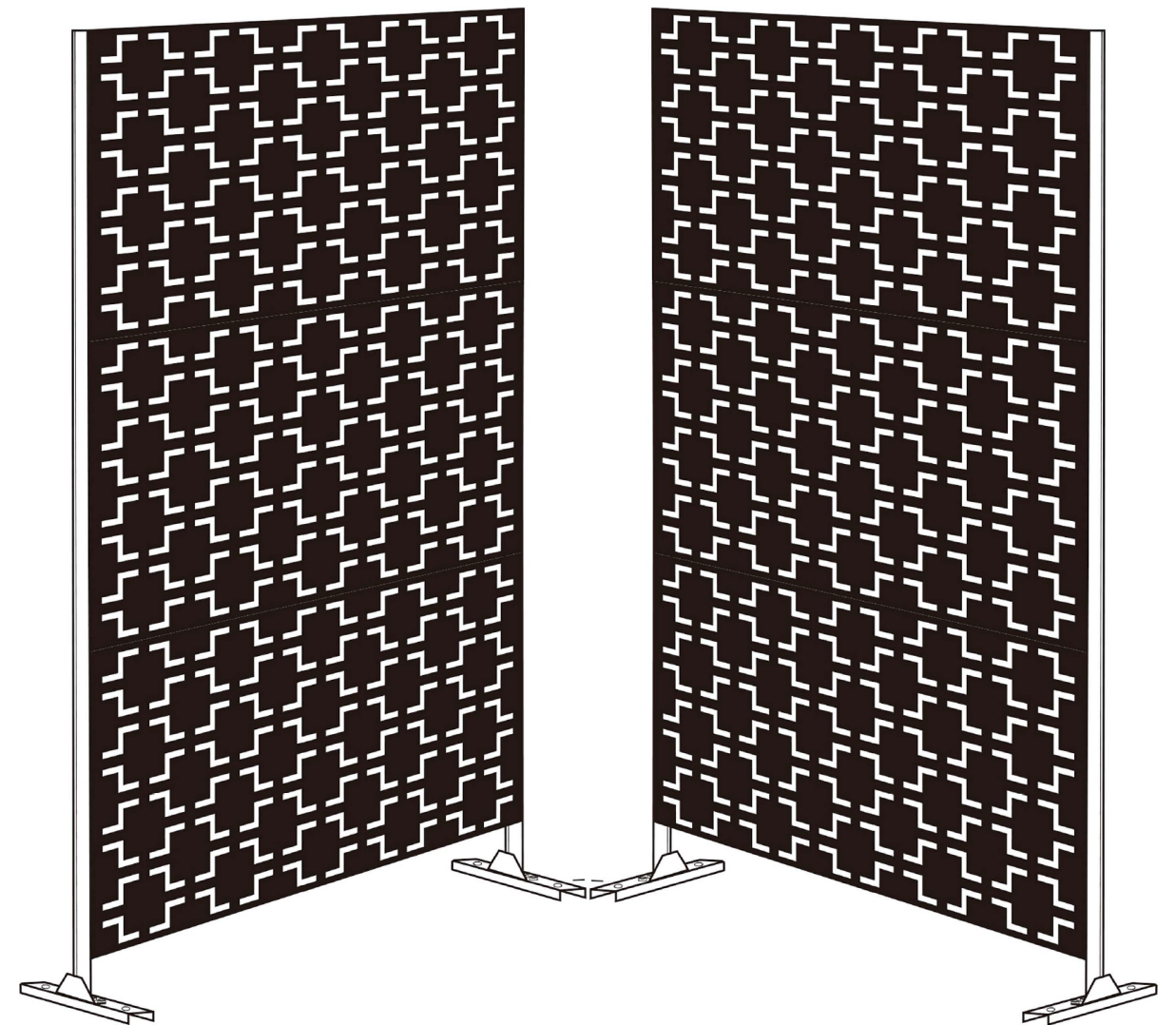


Outdoor Privacy Screen



Address: 14404-14410 Best Avenue ,Santa Fe Springs , CA 90670

Tel: 6265865869

Email: general@generalmarchant.com



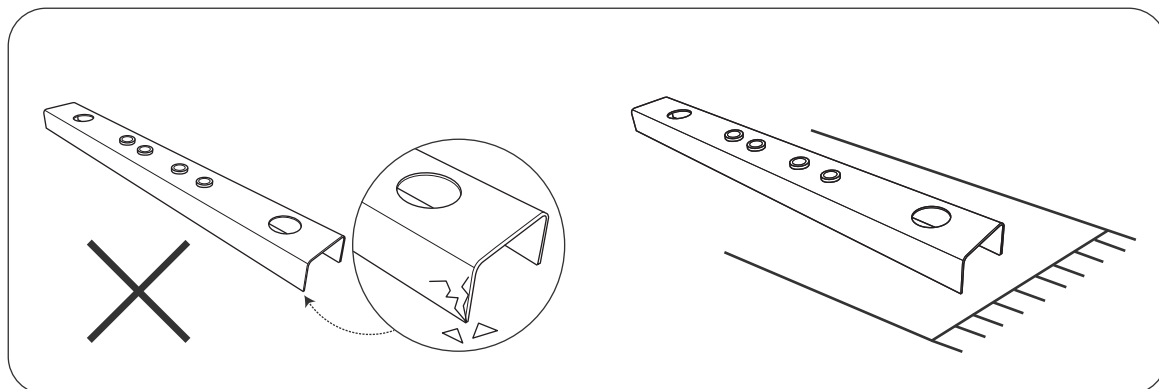
If the privacy screen will be used in a strong wind area, we highly recommend you using four Hex-Head Sleeve Anchors to fix the privacy screen on solid ground.

Before assembling, we recommend:

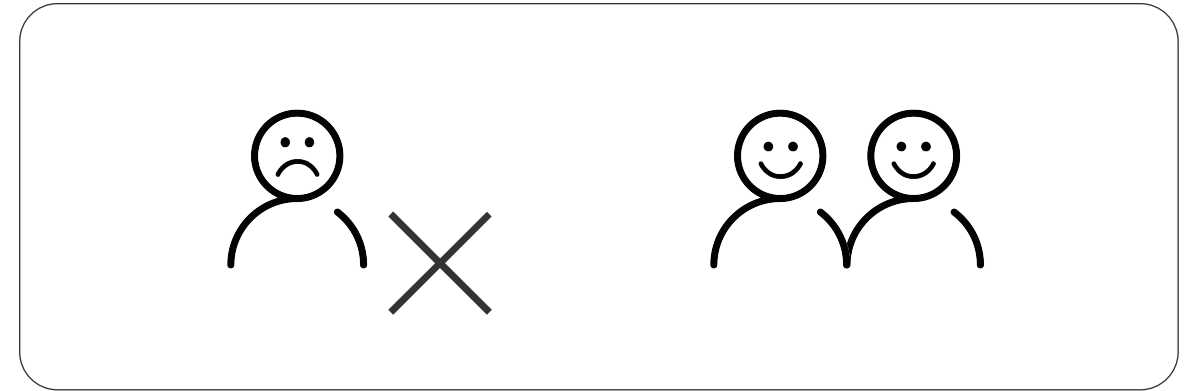
1. Wear Gloves.



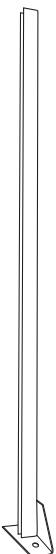
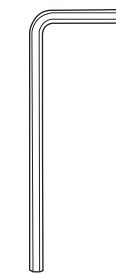
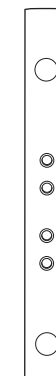
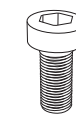
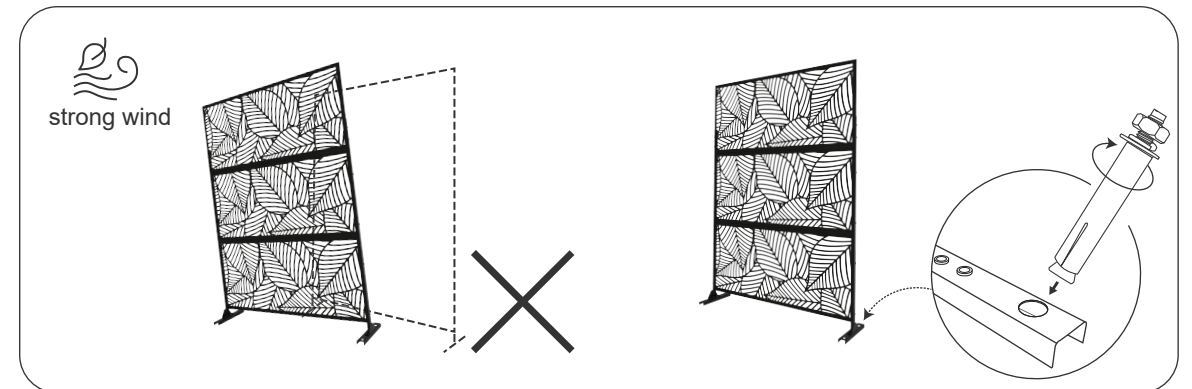
2. Don't assemble the privacy screen on a Hard Surface.



3. Ask for a Helping Hand.



4. Use Hex-Head Sleeve Anchors to fix the privacy screen on solid ground if necessary.



①
3pcs

②
42pcs

③
38pcs

④
1pcs

⑤
2pcs

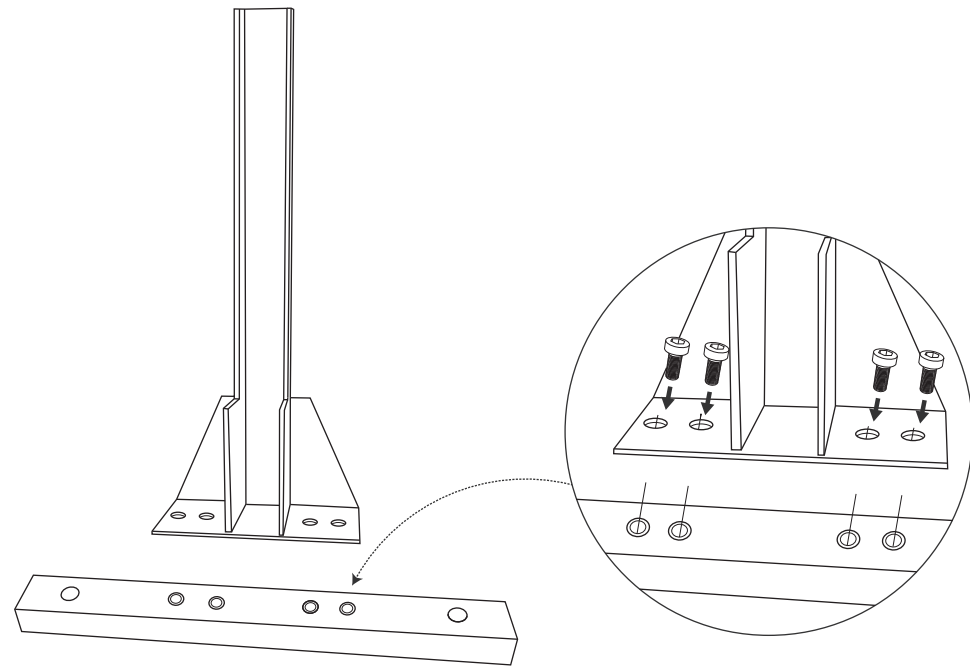
⑥
1pcs

⑦
2pcs

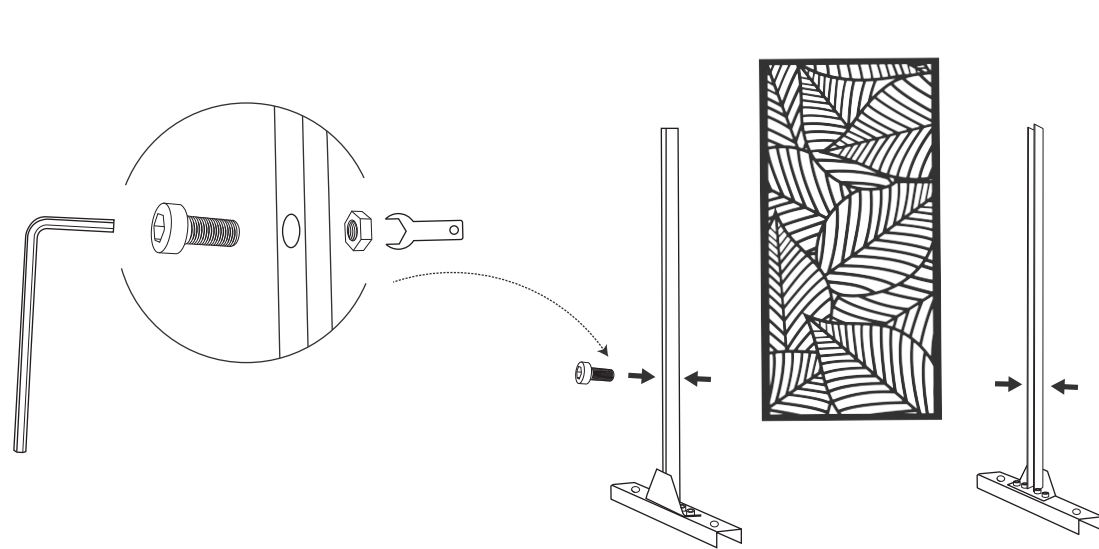
⑧
2pcs

Vertically Install

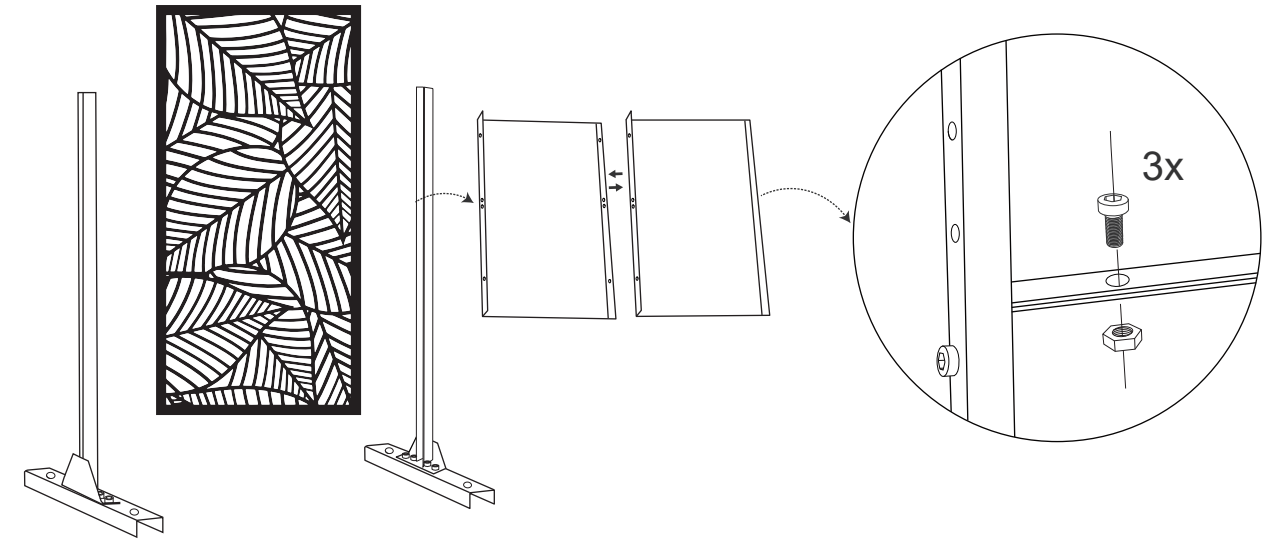
1.



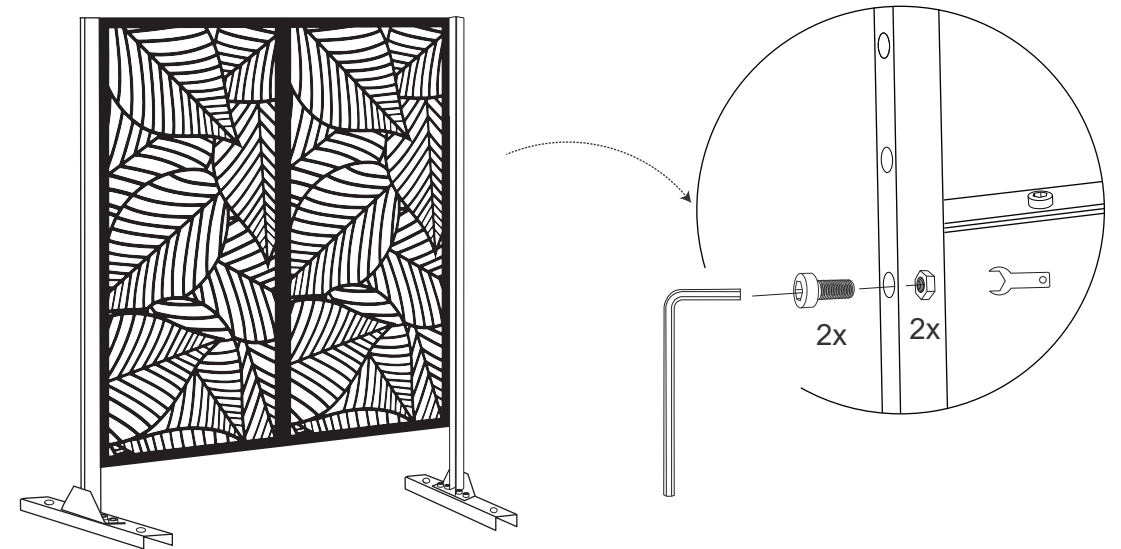
2.



3.

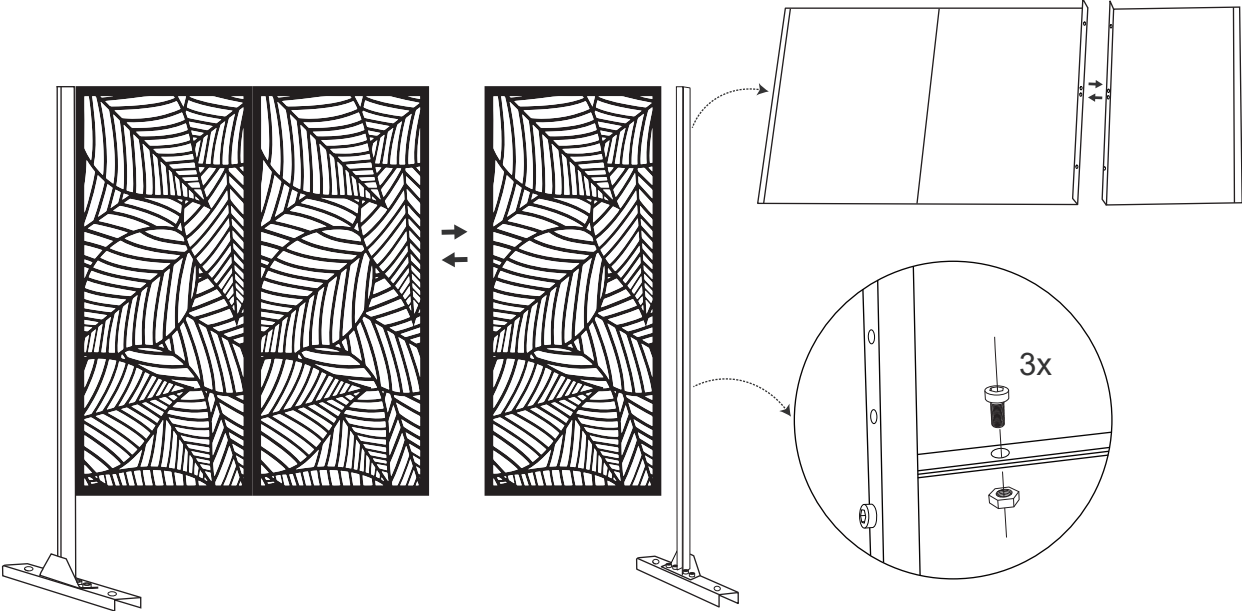


4.

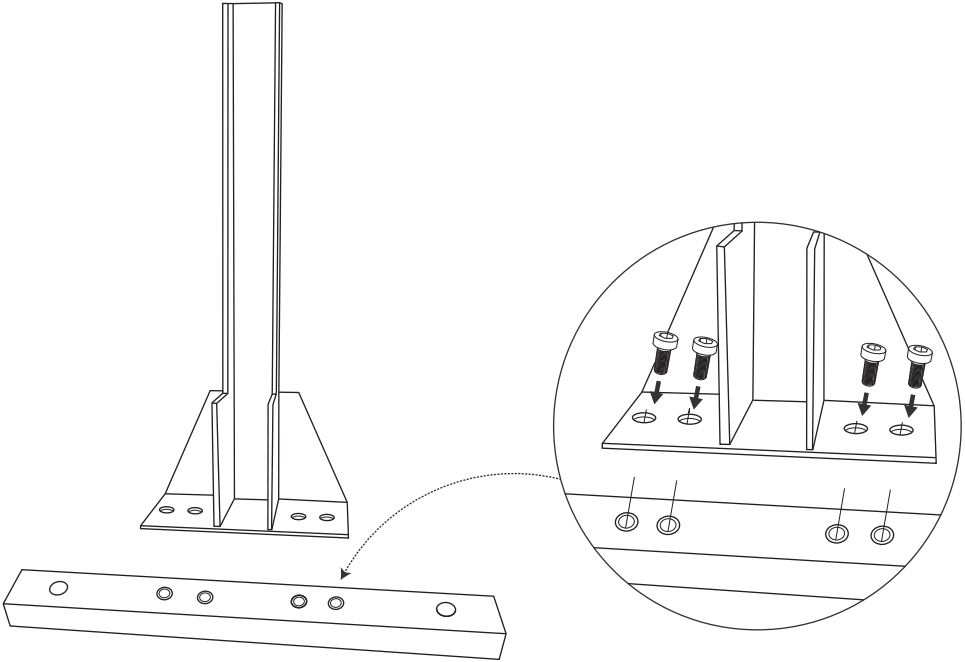


Single Panel Installation

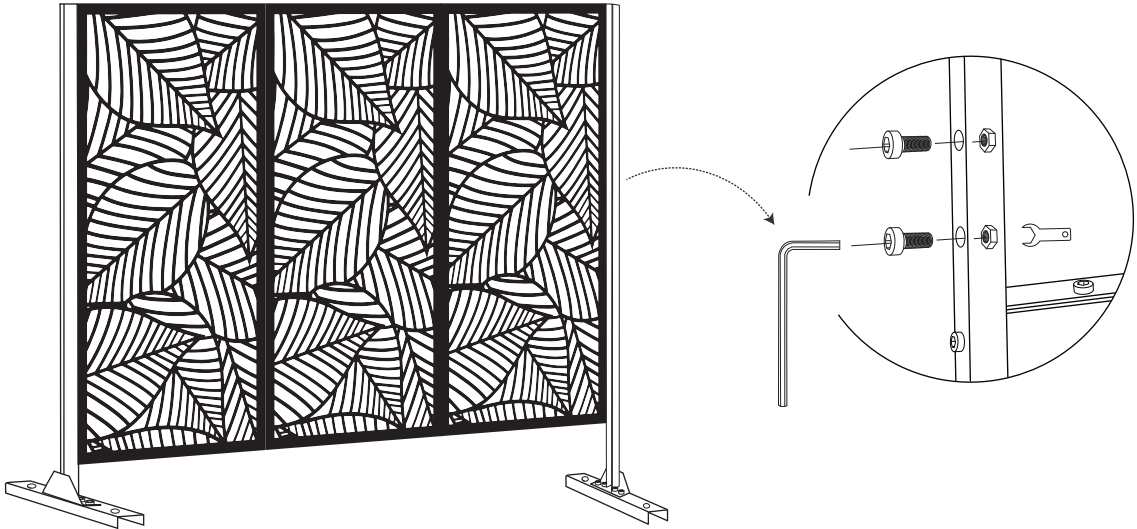
5.



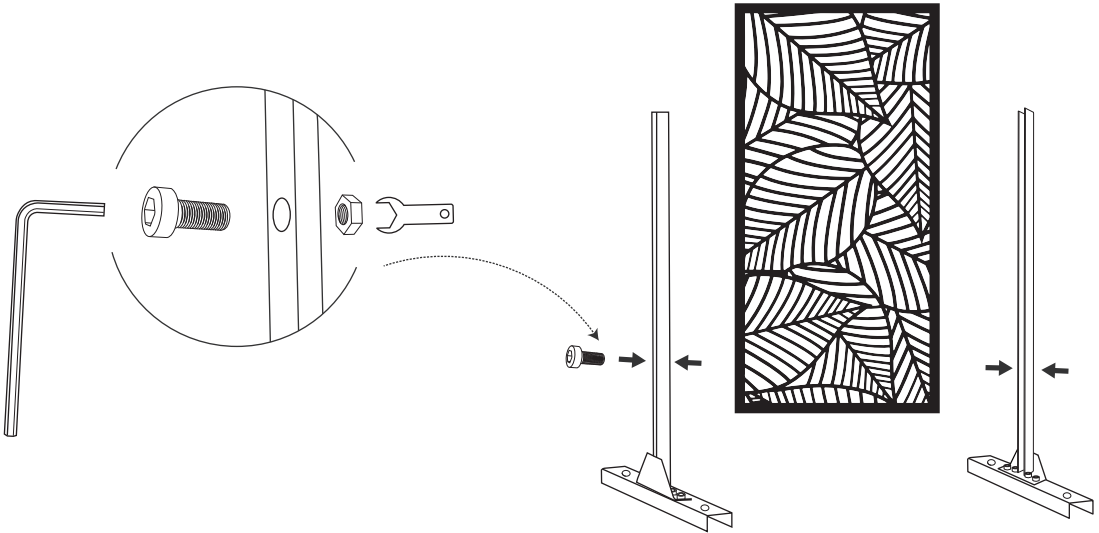
1.



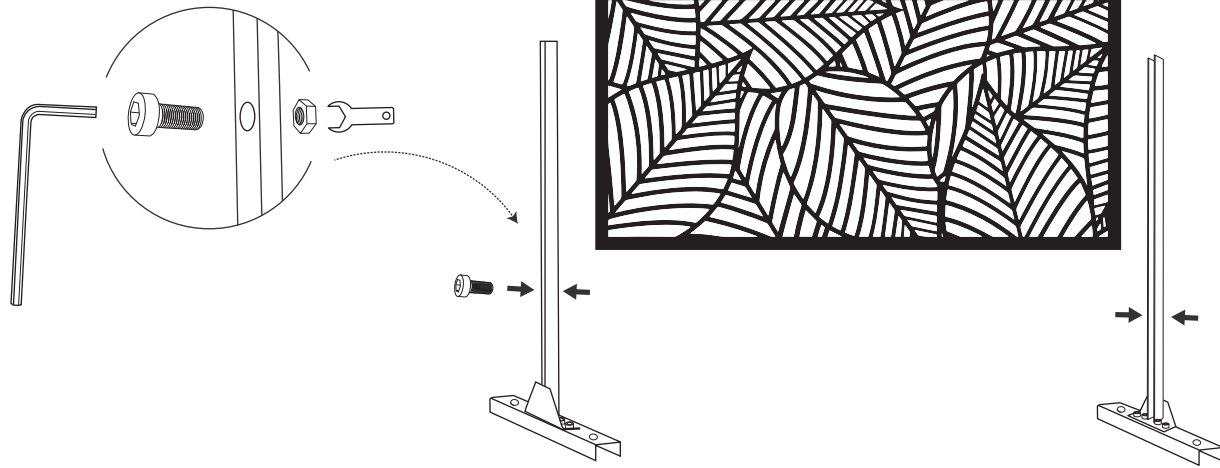
6.



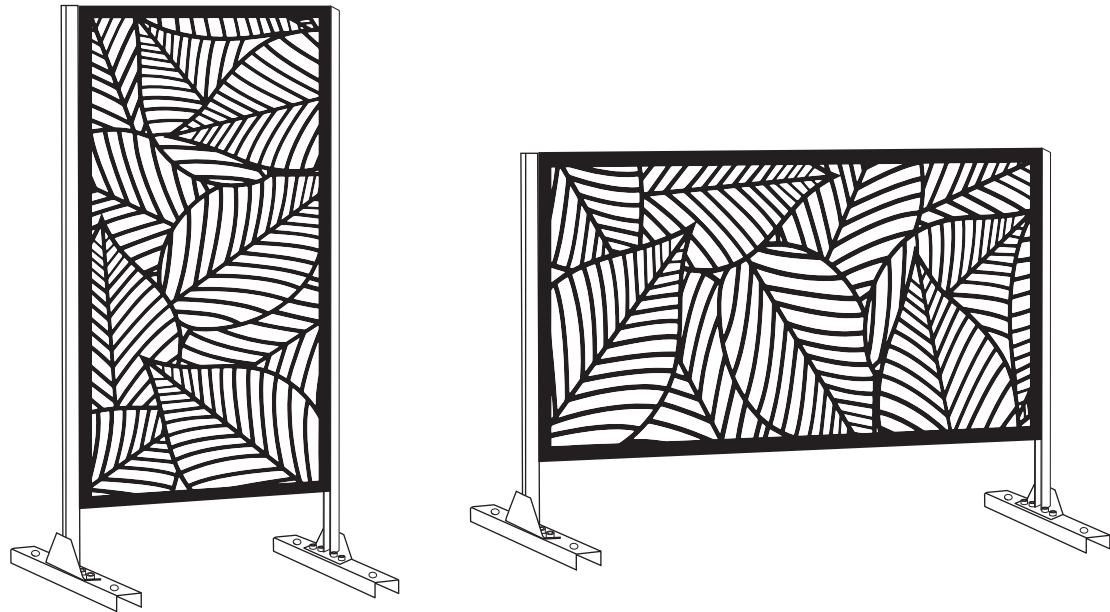
2.



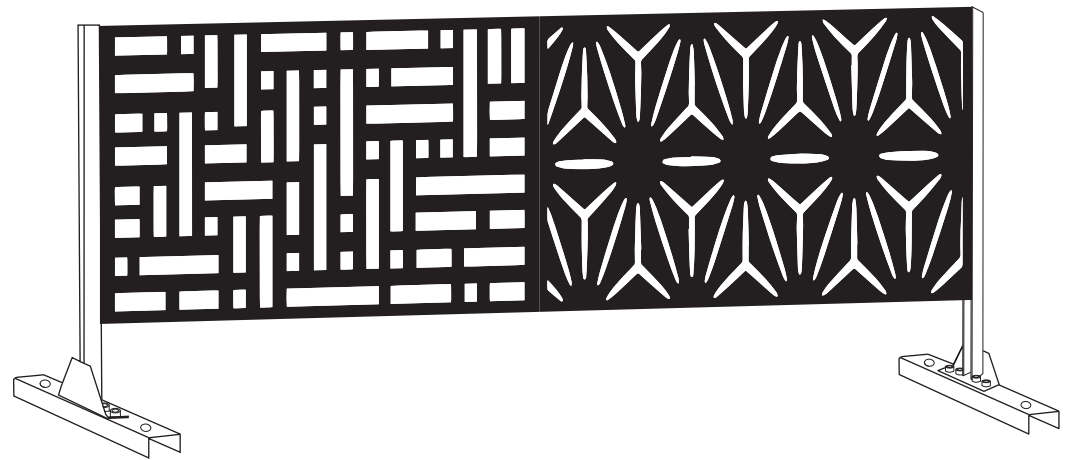
3.



4.

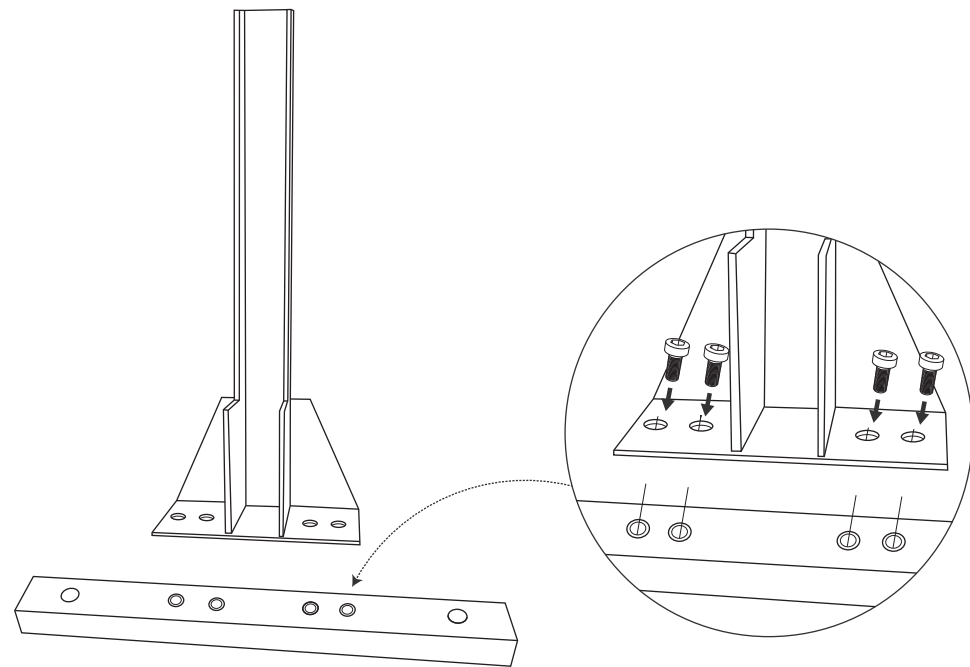


5.

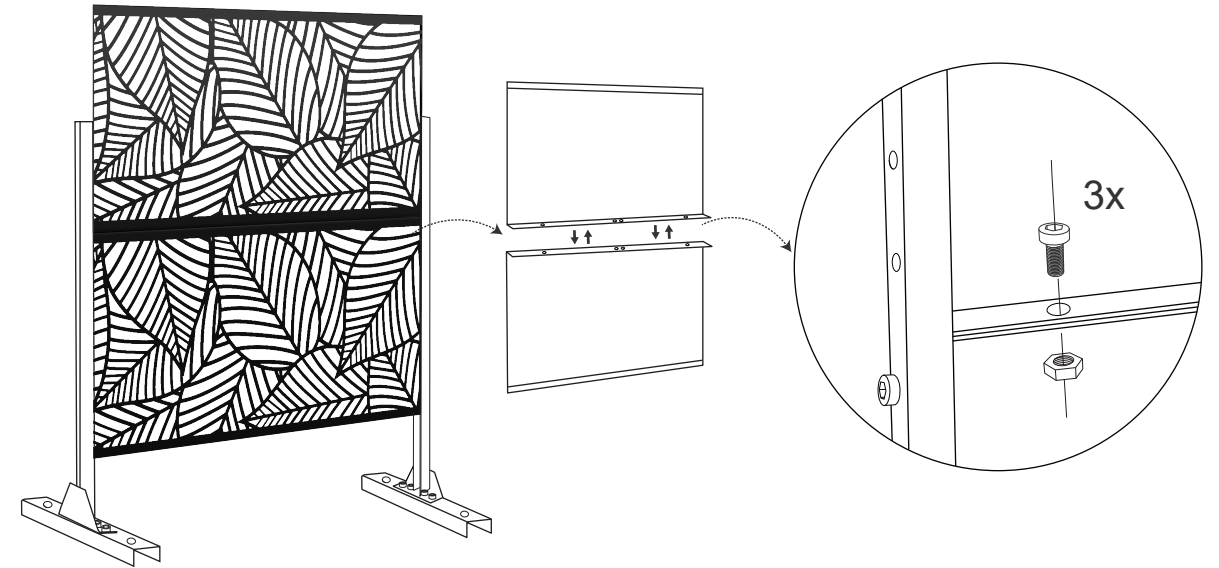


Horizontally Install

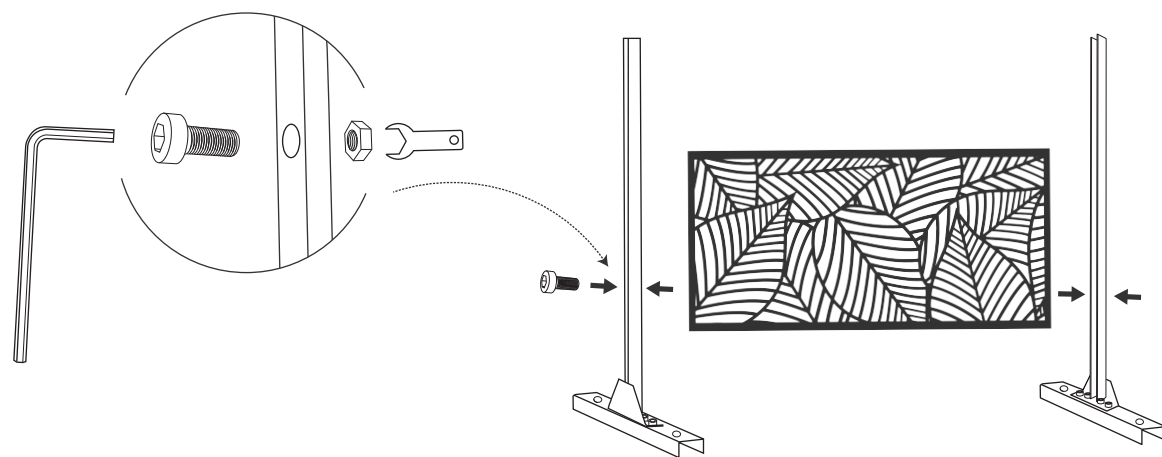
1.



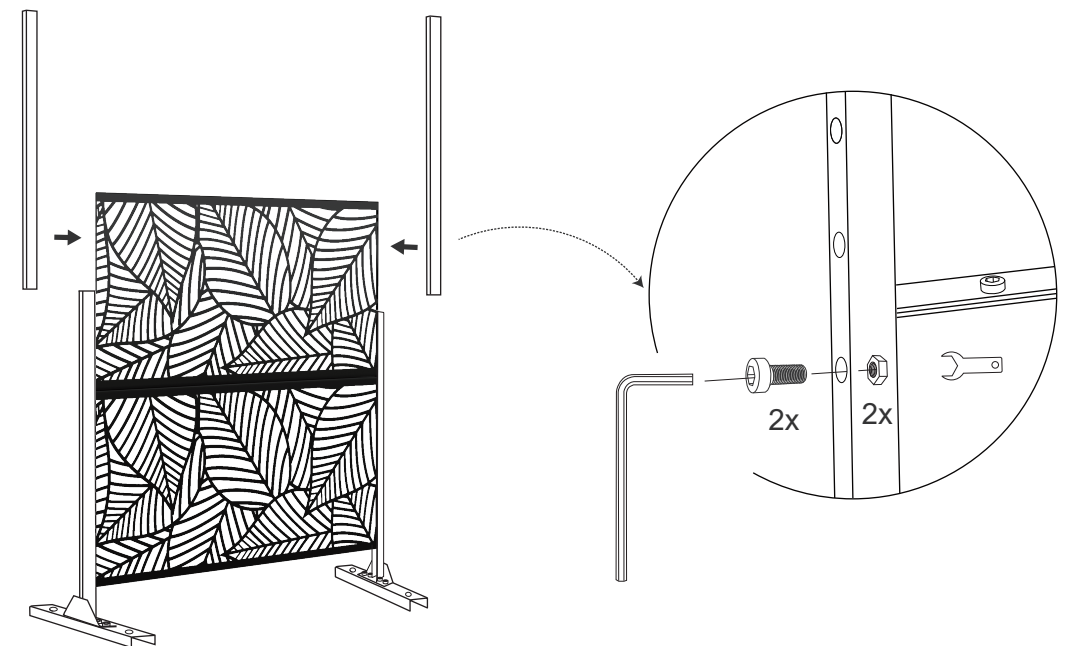
3.



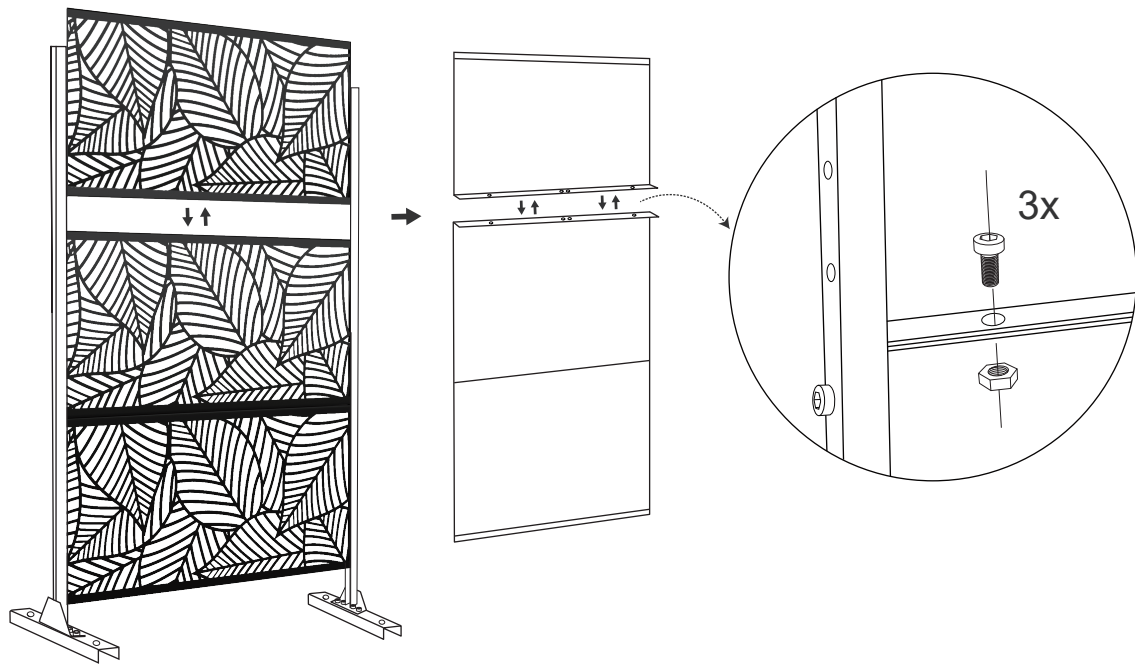
2.



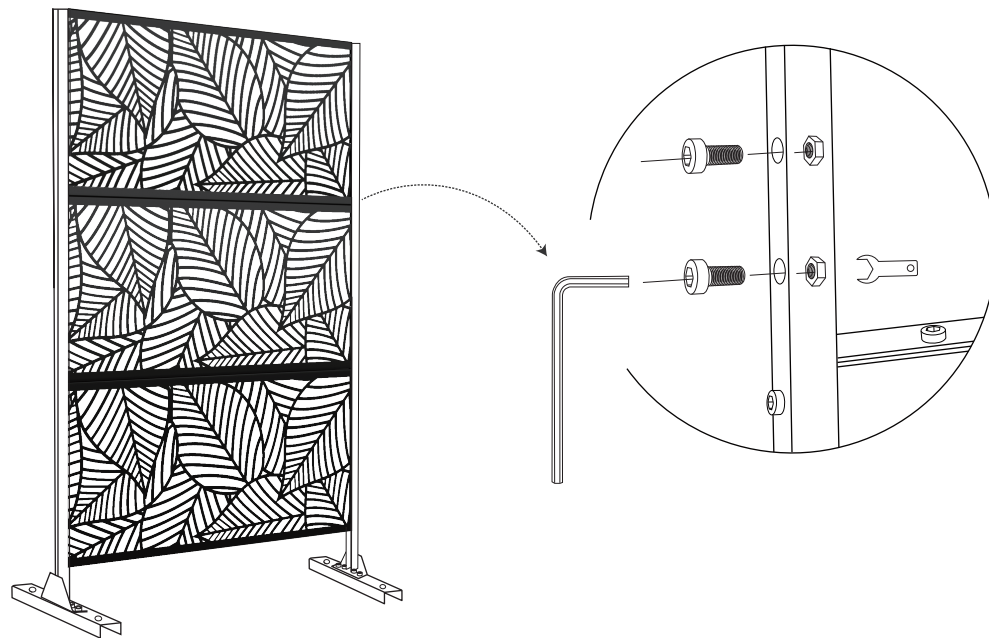
4.



5.



6.



We have various choices of pattern for you:

