

# SANICOM 1 Drain Pump

## CONNECTIONS



DISHWASHER



SINK



SHOWER



BATHTUB



LAUNDRY SINK

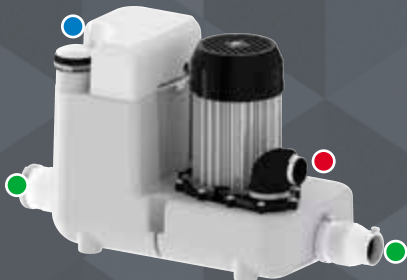


WASHING MACHINE

## APPLICATIONS



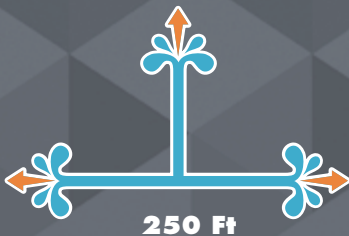
COMMERCIAL



Commercial Grade

## PUMPING DISTANCE

25 Ft



250 Ft



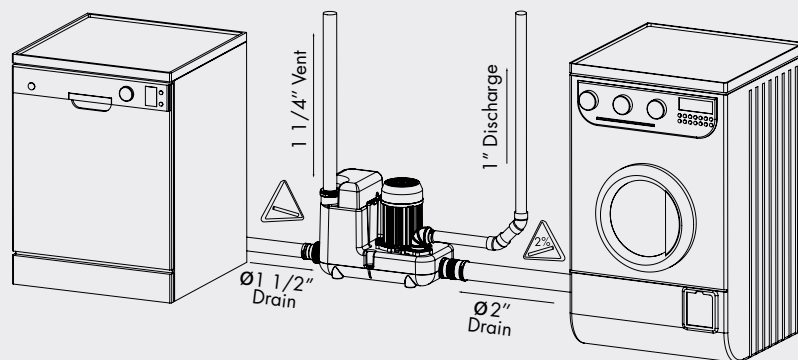
Commercial Grade

Example of installation. Follow local plumbing codes for actual install.

The **Sanicom 1 drain pump** is used to pump gray water away from a variety of fixtures in **commercial applications**. The system is able to discharge the waste up to **25 feet vertical and/or 250 feet horizontal**. This model was designed to sustain the toughest applications from commercial applications where hot water can be an issue as it is **capable of handling up to 194°F as well as grease..**

- **Discharges the waste through a 1" rigid pipe.** The system includes a rubber discharge elbow that adapts to the discharge pipe as well as a **non-return valve**. This elbow can be rotated 360 degrees depending on the discharge installation.
- Has been designed with a **1-1/4" vent connection** on top of the system. All plumbing codes require connection to a vent system. If codes require the use of a larger diameter vent pipe, this may be increased by means of an adapter. Please note that the vent system should be a two-way air vent as air needs to freely flow both ways. Note: The use of mechanical vents, air admittance valves or similar devices is not permitted.
- Discharges **gray water from commercial kitchens, dishwashers, washing machines, etc.** The gray water will drain into the system **via two 2" inlets** which are on either side of the housing. Note that when draining wastewater into the pump through either of the side inlets, an external check valve (not supplied) has to be installed.

## AN EASY SOLUTION FOR COMMERCIAL APPLICATIONS REQUIRING GRAY WATER REMOVAL



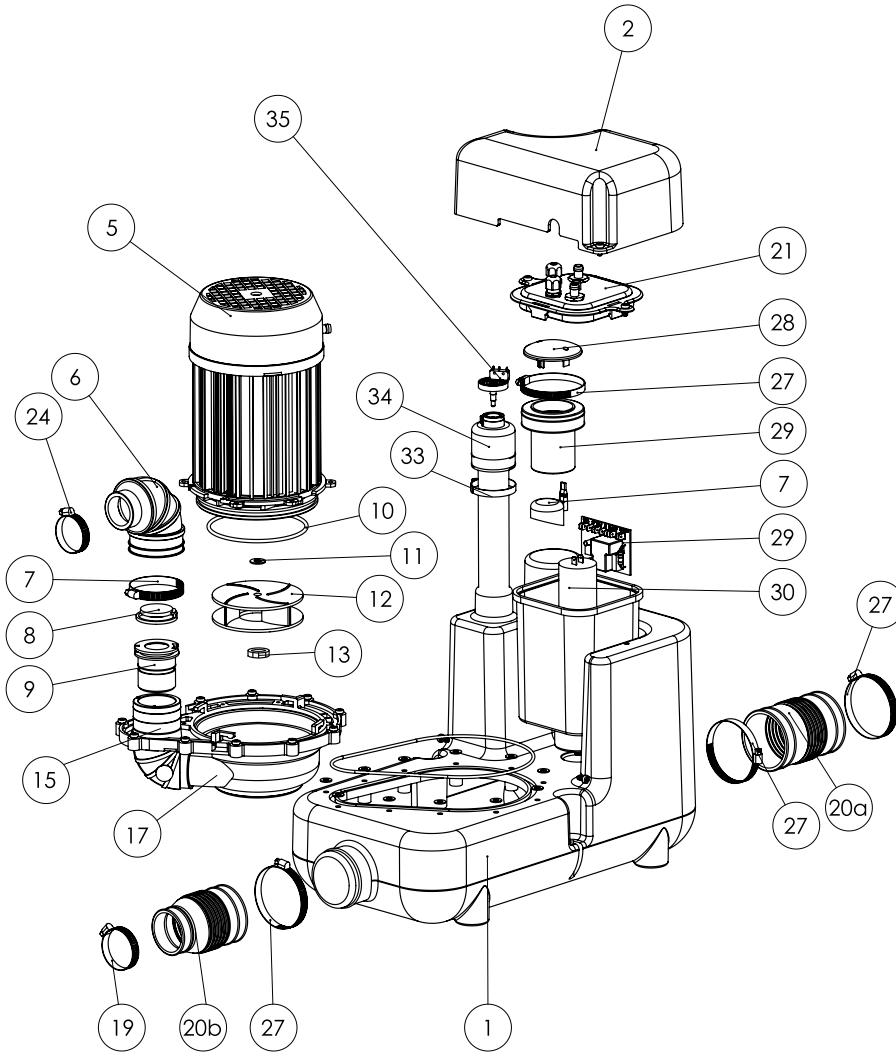
**Powerful 1 HP drain pump meant for commercial applications** where hot water can be an issue as it is capable of handling up to 194°F.

System is **capable of handling multiple fixtures simultaneously**. Powerful motor for absolute reliability and efficiency.

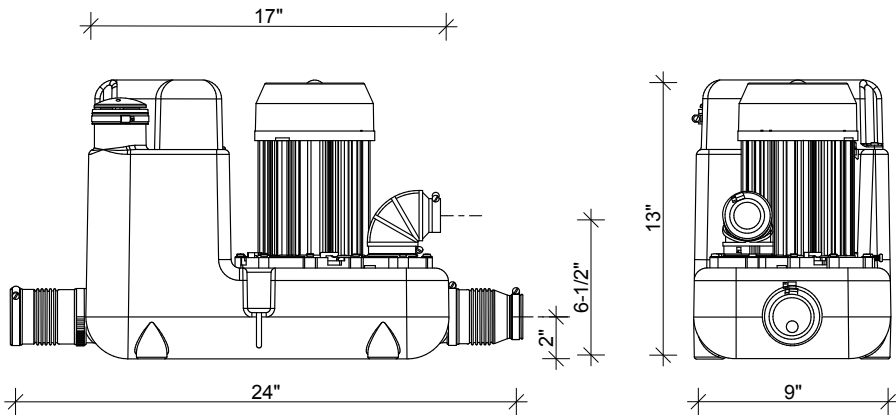
SANICOM I • PART N° 018



PLEASE CALL US TOLL-FREE AT  
**800-571-8191 (US) / 800-363-5874 (CDN)**  
 TO PURCHASE PARTS REFERENCED BELOW



### DIMENSIONAL DRAWINGS



Pump gray water away from any commercial application.

### TECHNICAL SPECIFICATIONS

**Pump type:**

Drain pump

**Electrical:**

120 V – 60 Hz / 10 Amps (Max)

**Motor:**

1 HP oil-filled thermally protected motor

**Capacitor rating:**

45 microfarad

**Operating Temperature:**

194°F Max.

**Power cord length:**

50 inches

**Noise level:**

≤ 68 dBA (Lp) (measured at 3 ft.)

**Discharge pipe diameter:**

1"

**Discharge rate at 25 ft:**

17 GPM

**Discharge rate at 3 ft:**

33 GPM

**Shut-off head:**

53 ft.

**Normal running time:**

4-6 Seconds (Short bursts)

**Capacity:**

2.75 gallons / 10.4 liters

**Inlets:**

2" (sides), 1-1/4" vent (top)

**Method of activation:**

Pressure switch/ circuit board

**Shower/bathtub base height:**

10" min

**Weight:**

22 lbs / 10 kg

**Certifying agencies:**

CSA (IPC, NSPC), IAPMO (UPC)

**Recommended accessories:**

Descaler

**Connections:**

Commercial sink, dishwasher,  
 washing machine, etc

