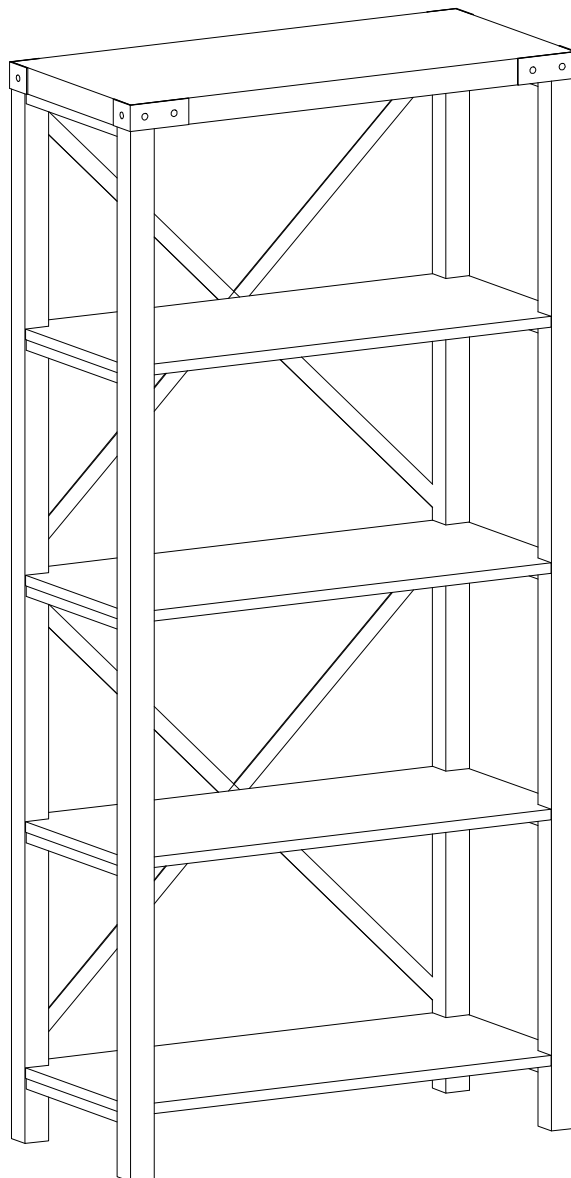


# Item # : BS64MX

## Assembly Instructions

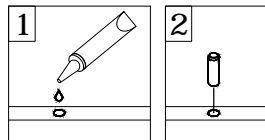


*Please visit our website for the most current instructions, assembly tips, report damage, or request parts. [www.walkerredison.com](http://www.walkerredison.com)*

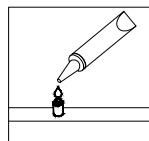
Revised 27/08/2018

# General Assembly Guidelines

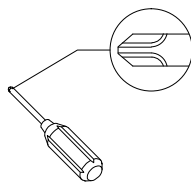
- I. Ensure that all parts and hardware are available before beginning assembly.
- II. Follow each step carefully to ensure the proper assembly of this product.
- III. Two people are recommended for ease in the assembly of this product.
- IV. The three main types of hardware used to assemble this product are: wood dowels, screws and bolts.
- V. The provided glue is to secure wood dowels in place. When first inserting dowels, locate the appropriate hole for the dowel, place a small amount of glue in the hole and insert the dowel. Wipe away excess glue immediately.



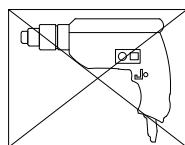
In future assembly steps when dowels are necessary to attach assembly parts together, place a small amount of glue on the end of the dowel before attaching parts together. Wipe away excess glue immediately.



- VI. A Phillips head screwdriver is required for the assembly of this product .

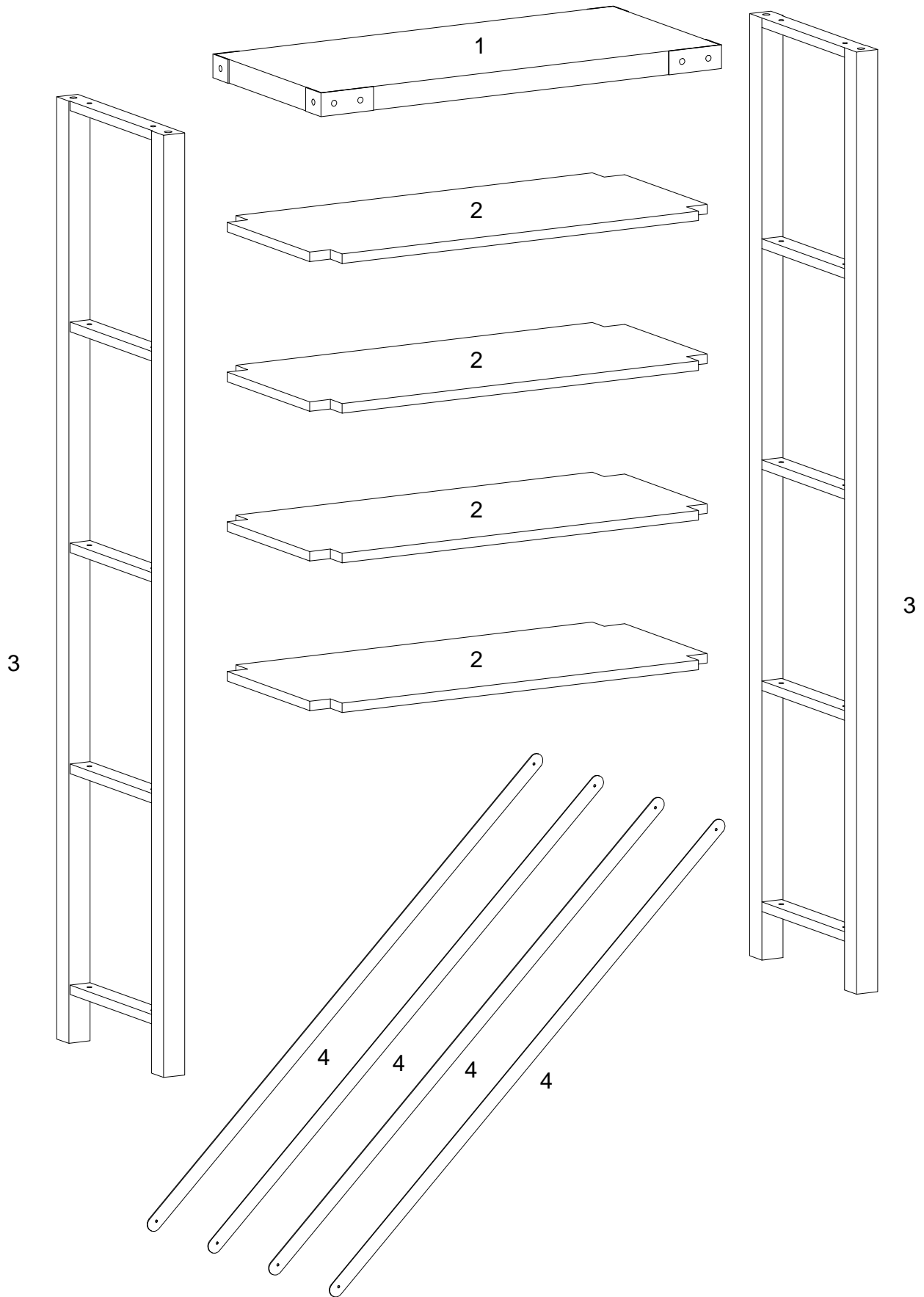


- VII. Power tools should not be used to assemble this product.


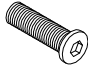
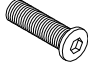


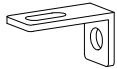

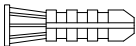
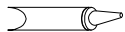


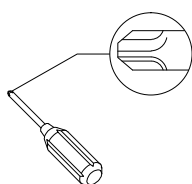
- VIII. Drill may be needed for securing product to wall.

# Parts List



# Hardware List

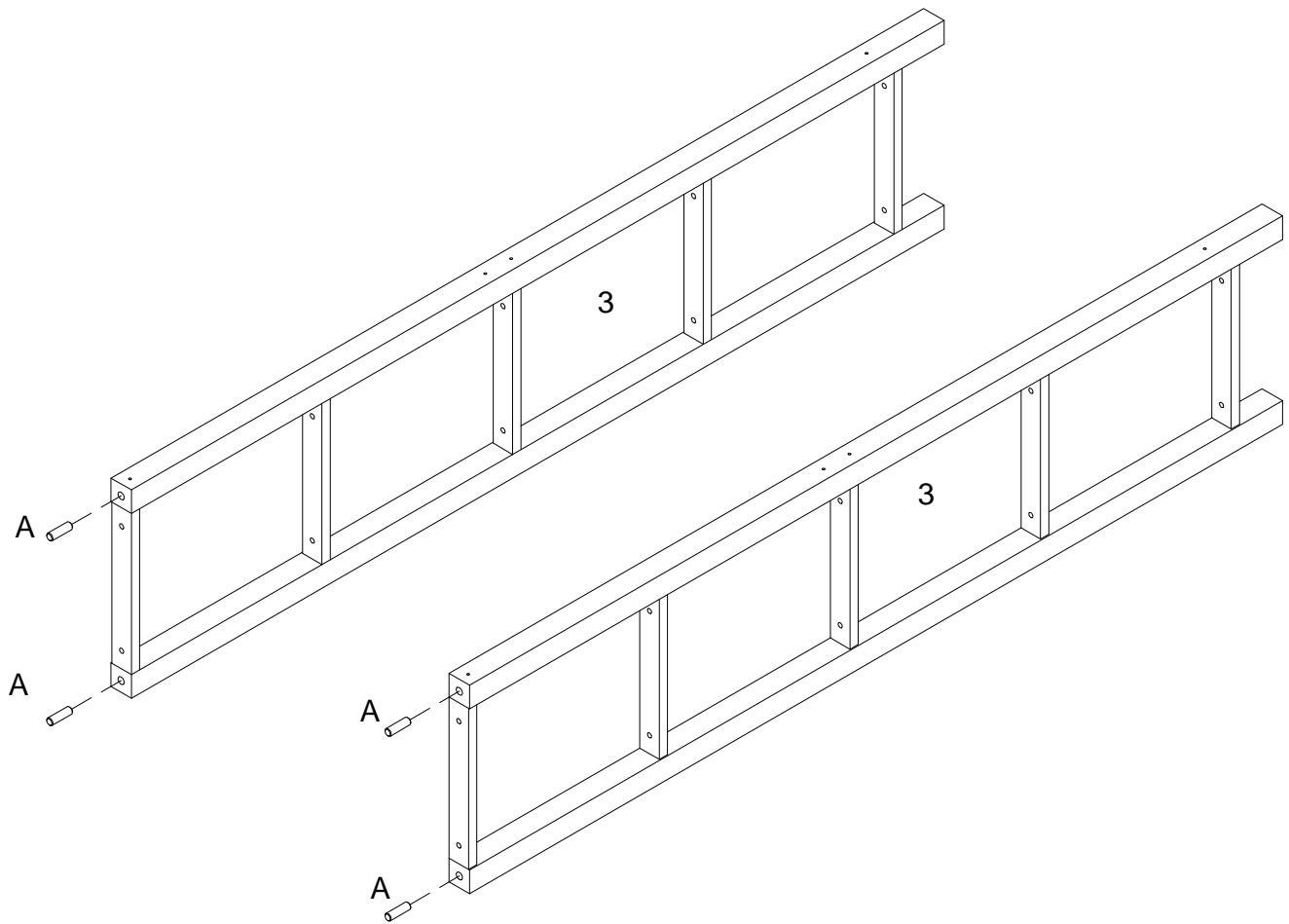
A		Ø8x40mm	Wooden dowel	4 pcs
B		Ø1/4"x20mm	Bolt	20 pcs
C		Ø1/4"x13mm	Bolt	9 pcs
D		M 4	Hex Key	1 pcs
E		Ø16mm	Washer	1 pcs
F			L Shape Bracket	1 pcs
G		Ø4x26mm	Screw	1 pcs
H			Plug	1 pcs
J			Glue tube	1 pcs



Philips head screwdriver required for assembly  
(not included)

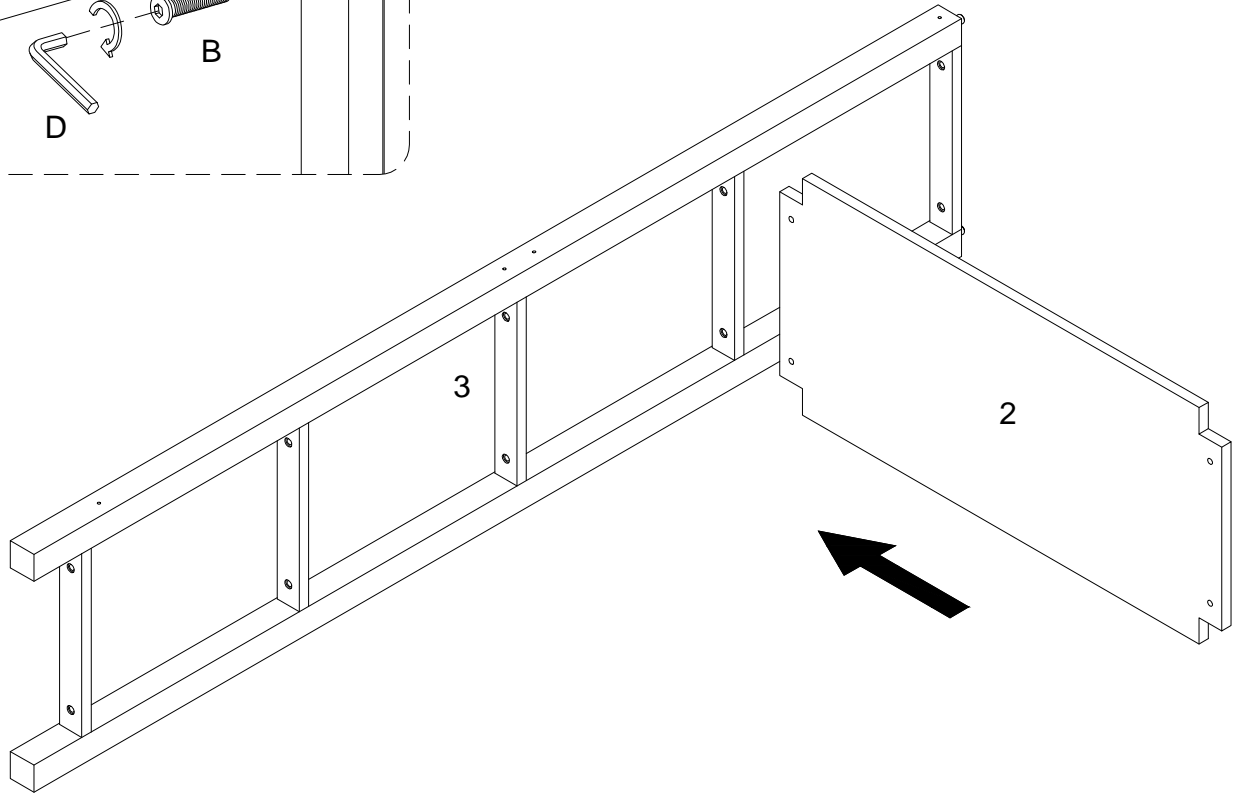
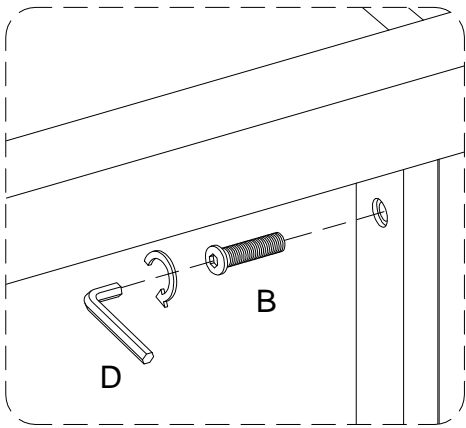
*The hardware quantities listed above are required for proper assembly.  
Some extra hardware may also have been included.*

# Step 1



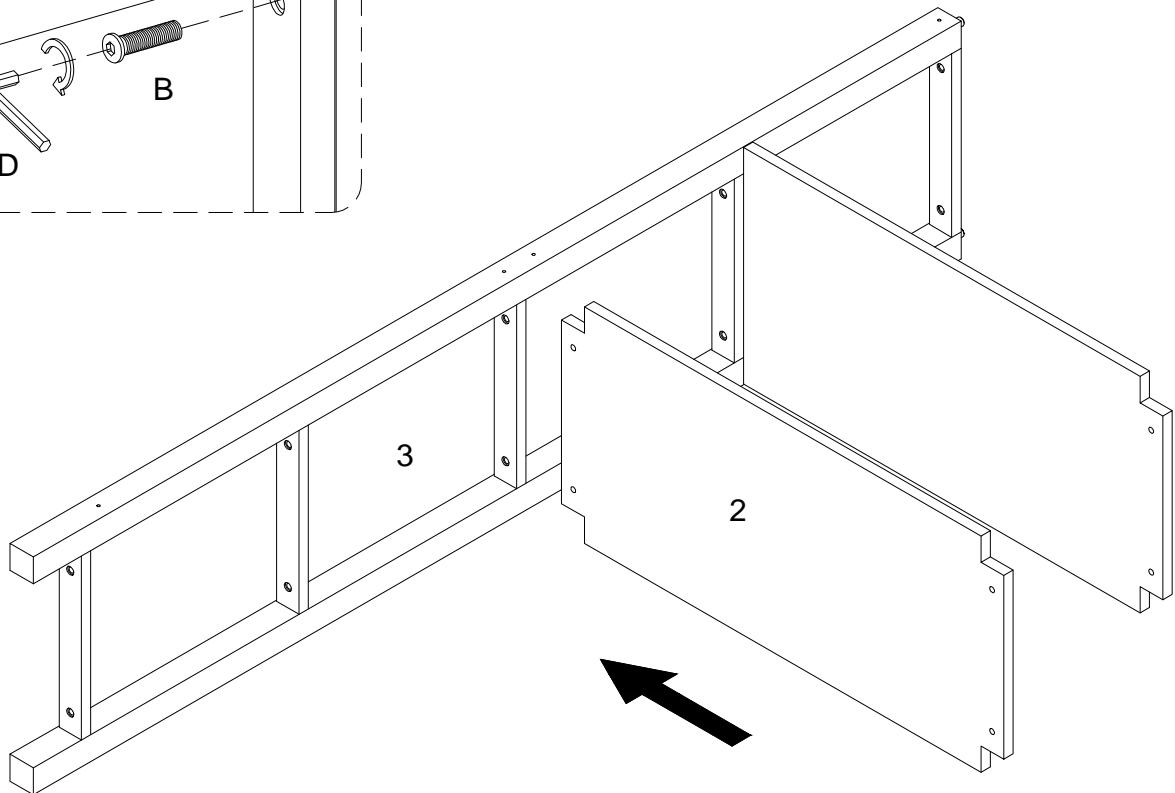
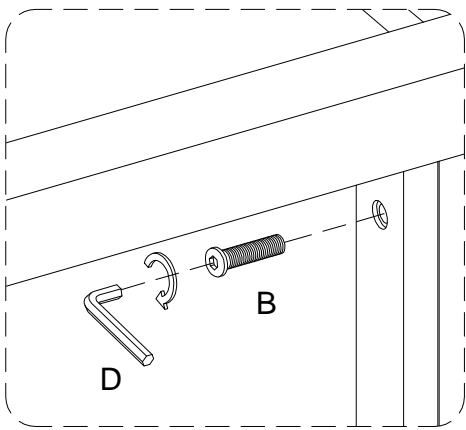
Insert wooden dowel (A) into part (3).

## Step 2



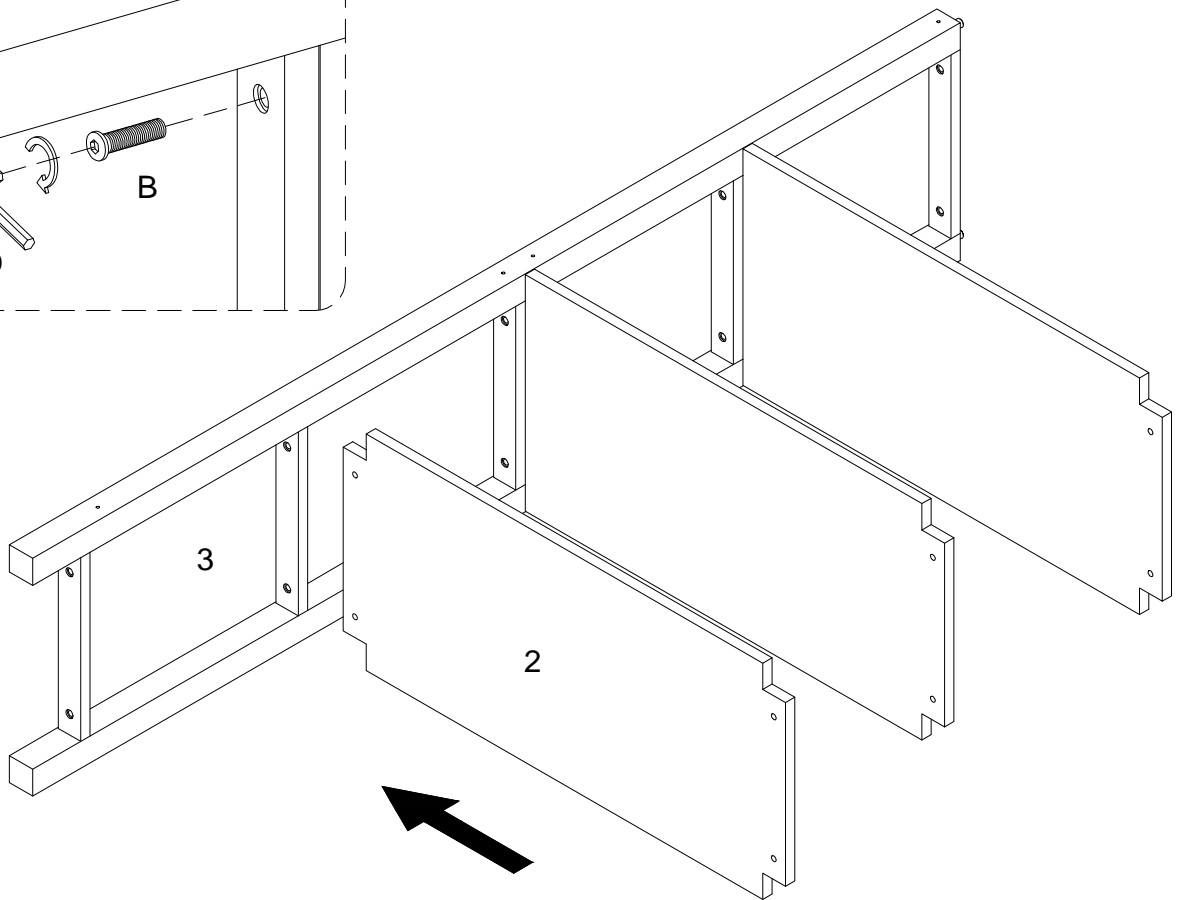
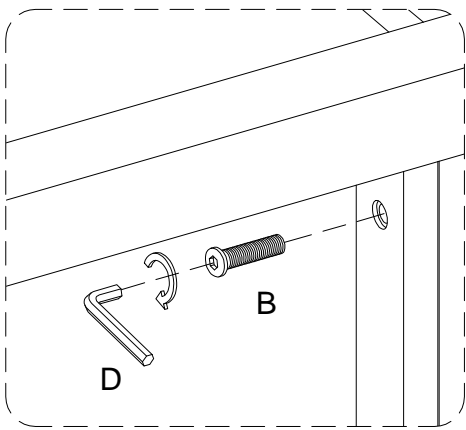
Attach part (2) to part(3),using bolt (B) with hex key (D) to secure.

# Step 3



Attach part (2) to part(3),using bolt (B) with hex key (D) to secure.

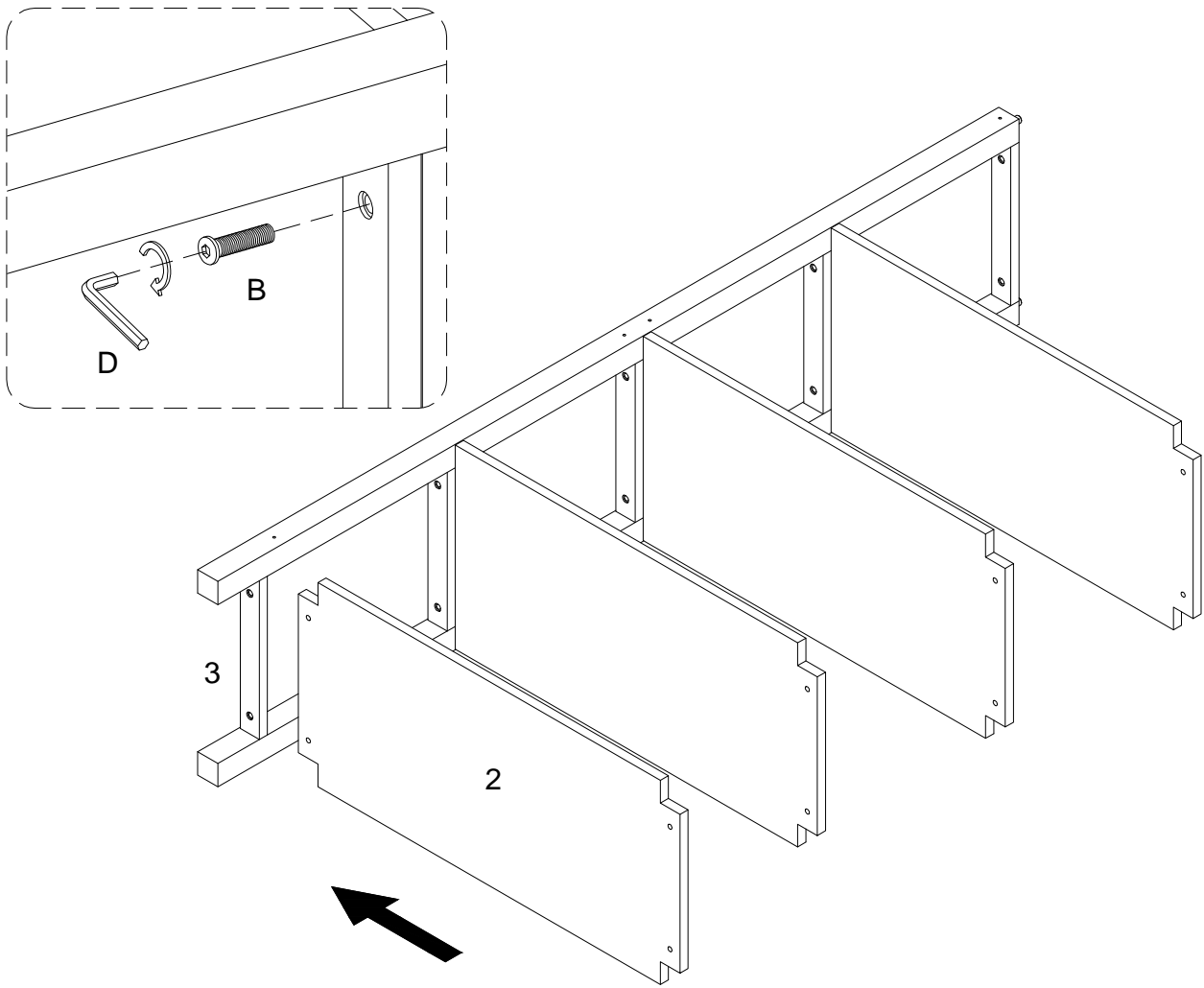
# Step 4



Attach part (2) to part(3),using bolt (B) with hex key (D) to secure.

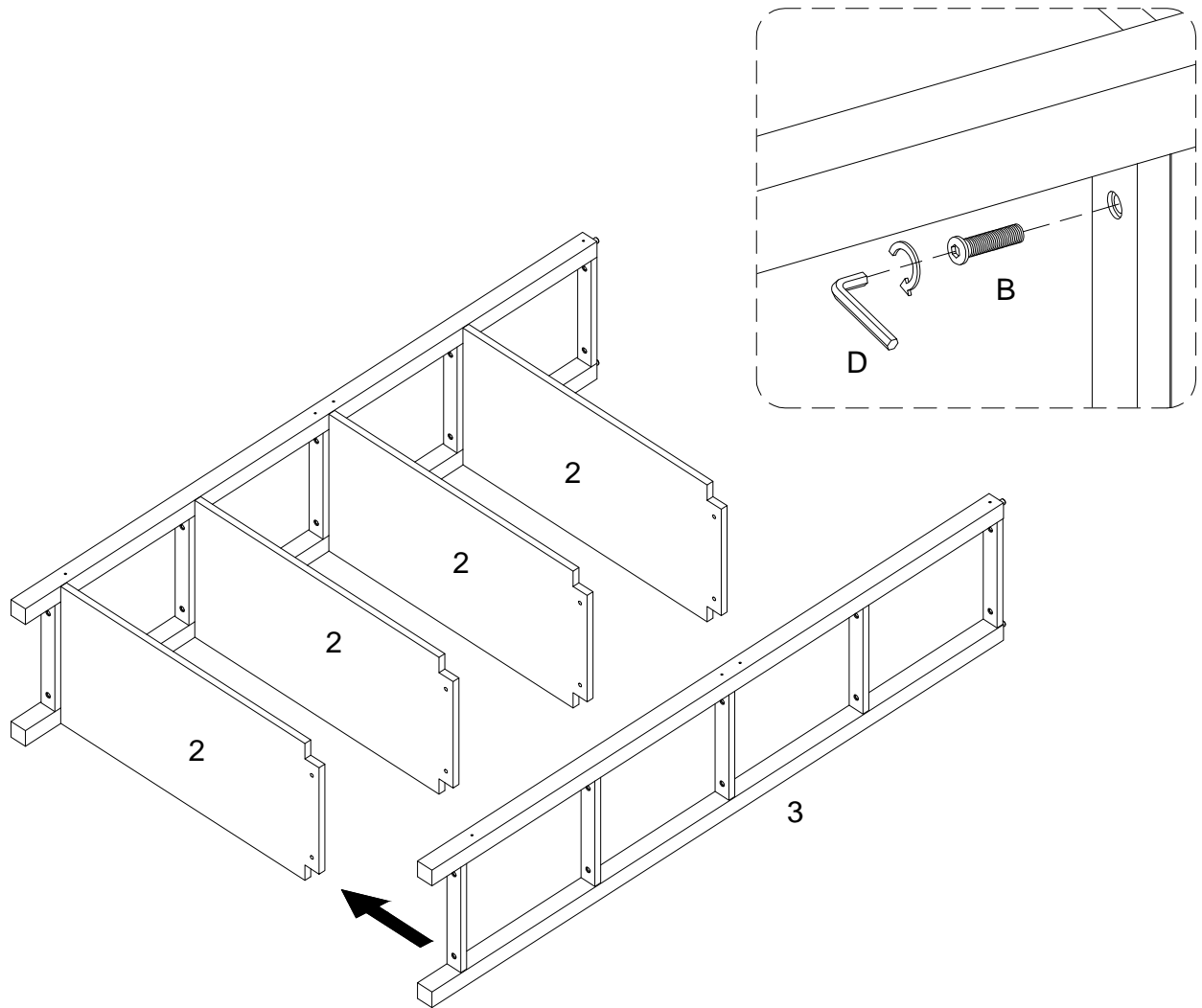


## Step 5



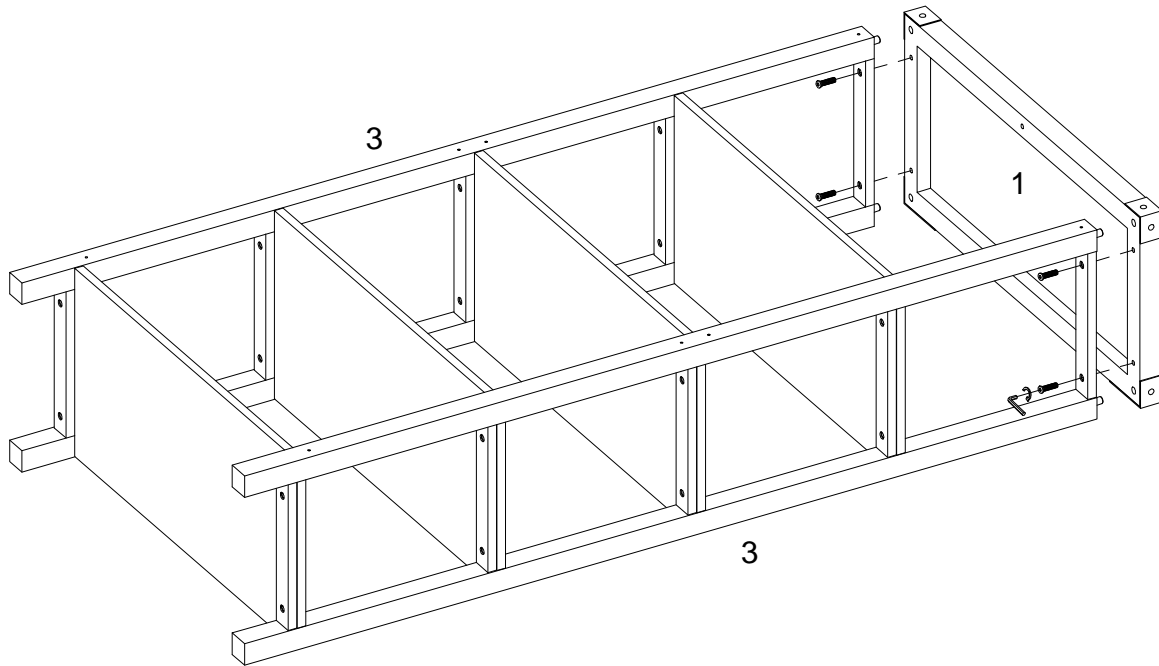
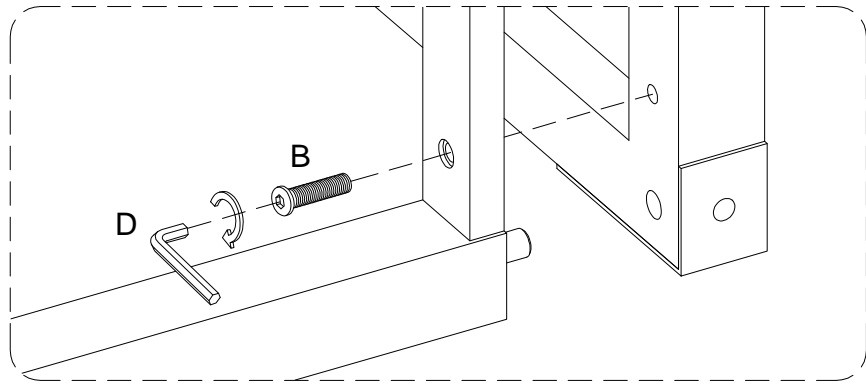
Attach part (2) to part(3),using bolt (B) with hex key (D) to secure.

# Step 6



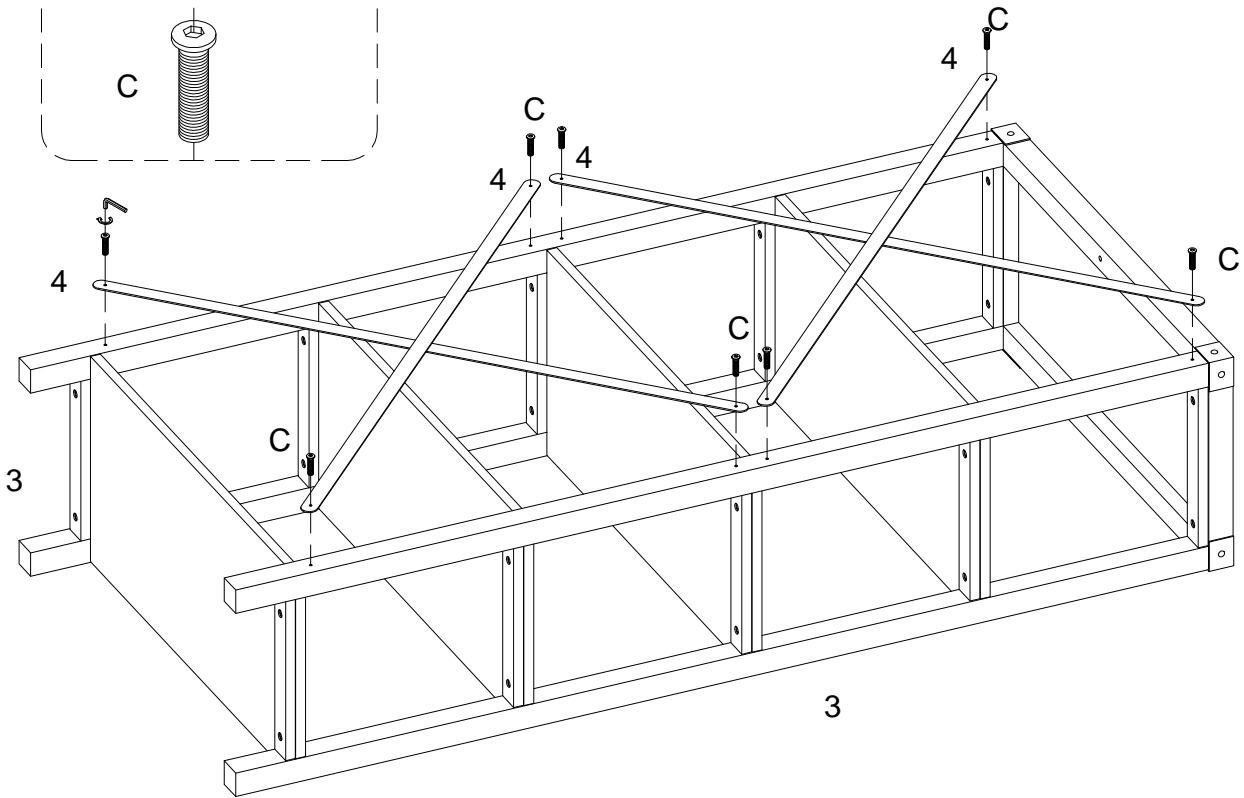
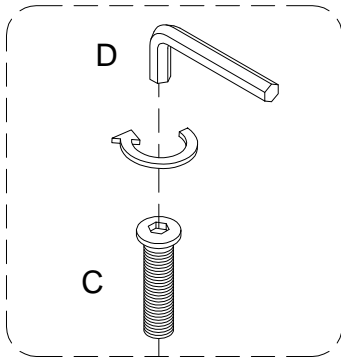
Repeat this action one more time  
Attach part (2) to part(3),using bolt (B) with hex key (D) to secure.

# Step 7



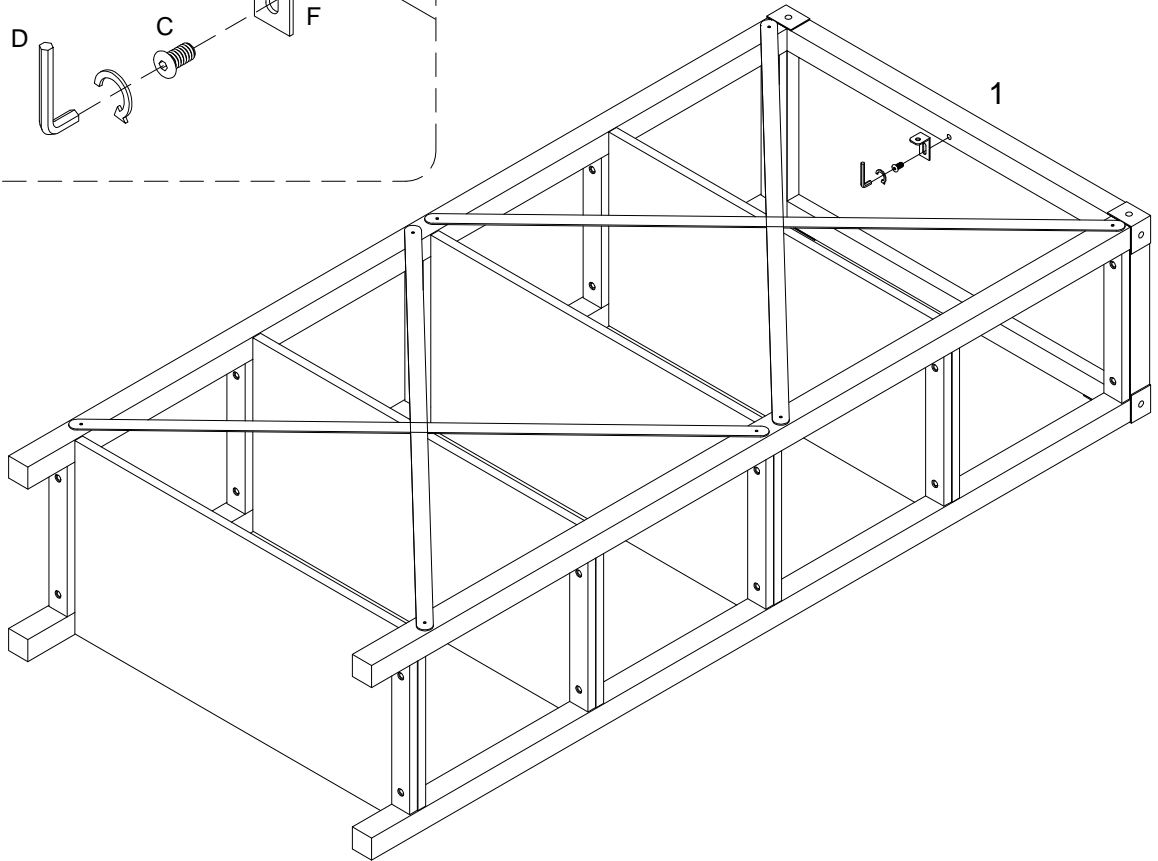
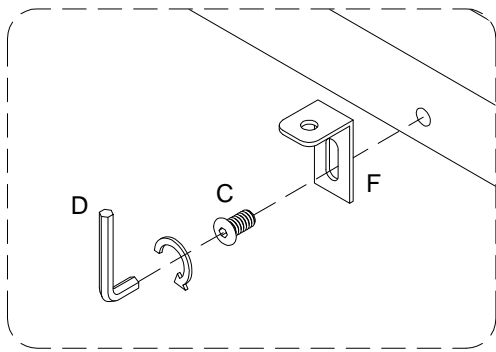
Attach part (1) to part (3) two sides, using bolt (B) with hex key (D) to secure.

# Step 8



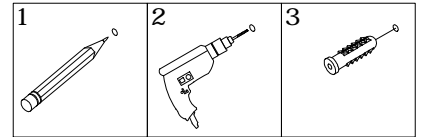
Part (4) should be tighten up into part(3) two sides in diagonally opposite position by using Hex Key(D), Bolt (C) ;

# Step 9



Use Hex Key (D), Bolt (C) to secure the L Shape Bracket (F) to the Top panel (1).

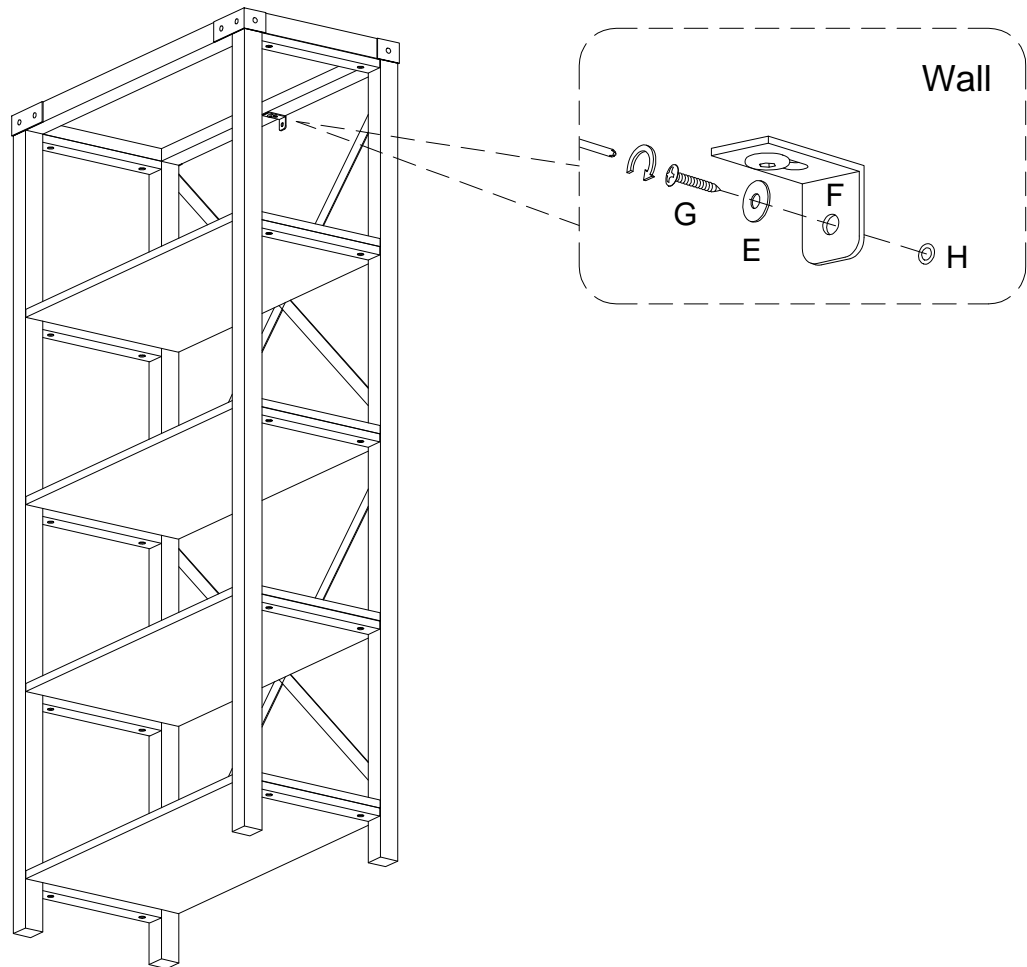
# Step 10



Wall

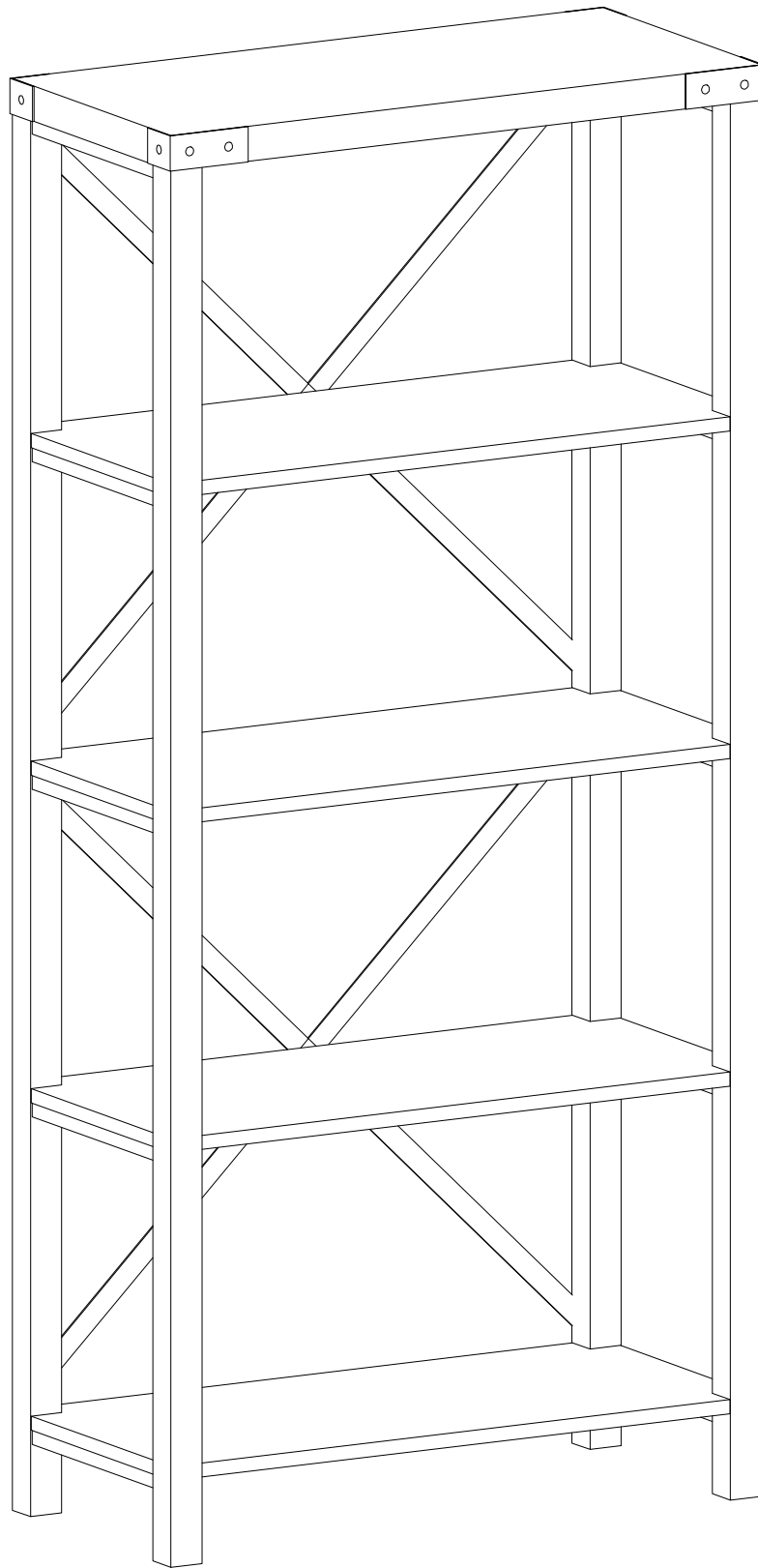
Insert plug (H) into wall

# Step 11



Assemble L Shape bracket (F), washer (E) , Screw (G), washer (H) to secure the body to the wall.

# Step 12



Final Assembly