



STURBRIDGE

VINYL YARD & POOL
FENCE WITH POST
AND NO-DIG STEEL
PIPE ANCHOR KIT
(4'H X 6'W)

60 MIN

Approximate assembly time

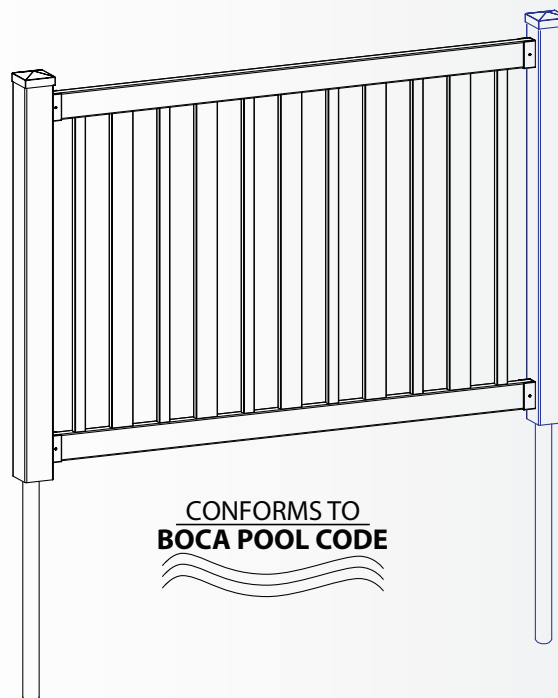
Want to see a video on how to
assemble this product?
Scan the QR code



ASSEMBLY INSTRUCTIONS

BL19103

Note: Finishing post
(BL19042) is not included
but is available for purchase.



GENERAL INFORMATION




IMPORTANT

- ⊕ Check the inside of the larger pieces in your box for other materials packed inside.
- ⊕ When assembling components, place on a non-abrasive surface (i.e. shipping box) to avoid scratching.
- ⊕ We recommend an area approximately 5'x 8' for unobstructed assembling.
- ⊕ You should not need to use excessive force when assembling components.

MISSING OR DAMAGED PARTS?

VISIT OUR WEBSITE FIRST, SO WE CAN HELP YOU RIGHT AWAY!

Although great care has been taken to ensure proper packaging and handling of this product, occasionally problems occur. If you discover any missing, damaged or defective parts, please visit our website to order replacement parts. If you experience any further trouble with your product, please contact our customer service department.

 parts.nychbrands.com

 hmmm@wambamfence.com

 **704-892-5222 / 877-778-5733**

Customer service agents are available to take calls weekdays from 9am-5pm EST. If you call outside of business hours, please leave a voicemail.

To help you quickly and accurately, please have reference item number **BL19103** and the specific part name which can be found on page 6. It is helpful if you can provide the batch lot number listed on the inside of the box.

NEED ASSEMBLY HELP?

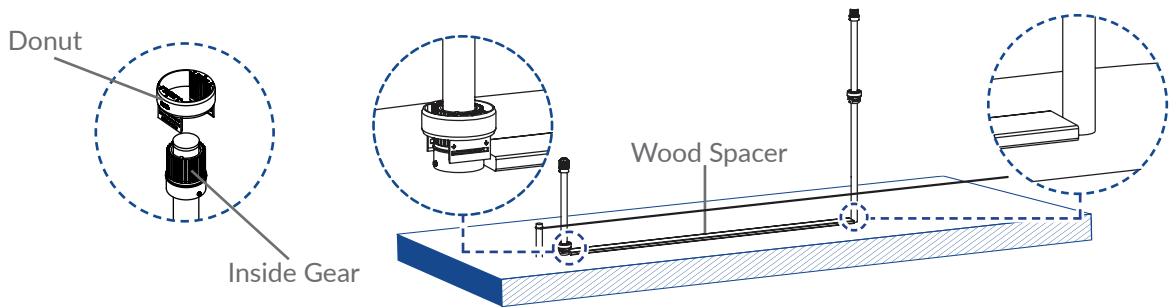
If you are having problems with the assembly or installation of this product, we are happy to assist you with the process, **so please give us a call at 704-892-5222 / 877-778-5733.**

NEED TO RETURN?

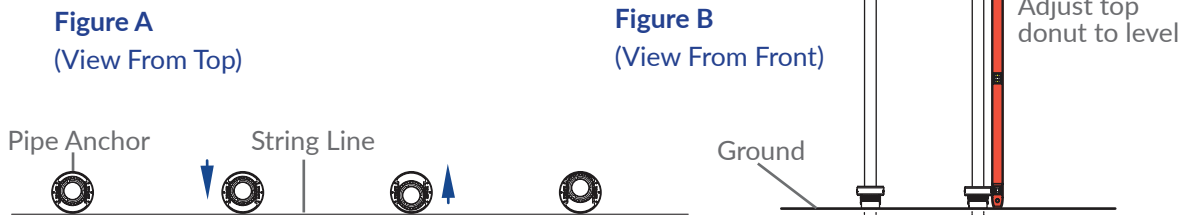
If for some reason you need to return this product, please allow us to help resolve your issues first. If you still decide to return the product, **you will need to initiate the return from the company you originally purchased from.**

TIPS

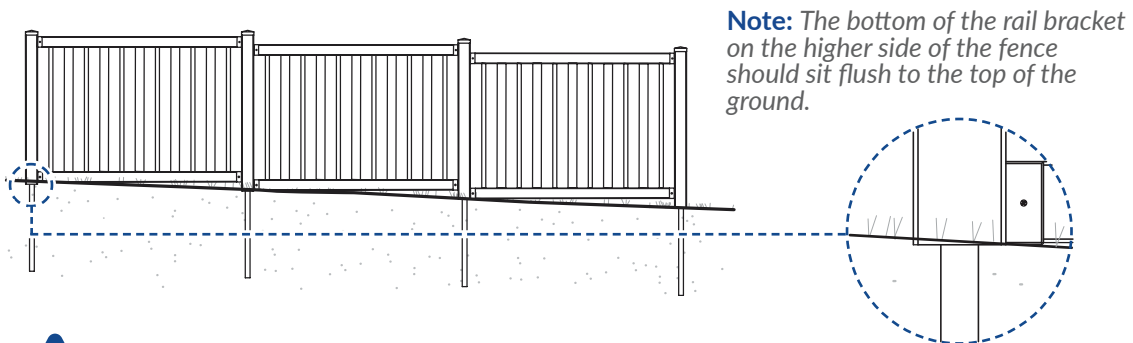
1. Run a string line to help establish the post location(s).
2. To space the pipe anchors more easily, use a piece of wood measuring 70³/₈" in length from the inside gear to the next pipe anchor.
3. After you have installed the first two vinyl posts and have checked your spacing, temporarily remove the posts to create an unobstructed string line.
4. When cutting PVC, use a saw with a fine-toothed blade.



5. Once the pipe anchors are set, you can use your string line to adjust your lower donuts to make a straight fence line (Figure A). Then use a level to adjust the top donuts to ensure each post is level to the connecting fence panel (Figure B).



6. Most yards are relatively level and will allow for a fairly simple installation. If your yard is steeply pitched or is very uneven, you may need to stair step your panels as illustrated below. Post heights can be trimmed down as necessary.



Note: The bottom of the rail bracket on the higher side of the fence should sit flush to the top of the ground.



WARNING!

If your yard has a severe slope or an elevation change greater than approximately 3" to 4" over one panel of fence, you will not be able to install this fence. Your post will not be long enough to accommodate this slope.

AVOID THESE PITFALLS!

HAVE YOU CONTACTED
YOUR **LOCAL UTILITIES?**



1

You must call your local utilities before you start installing your fence to avoid puncturing any unseen underground utilities, especially electrical or gas lines. Fortunately, this is made easy for you.

- + Simply call **811** in the US or visit www.call811.com.
- + In Canada, visit www.transcanada.com/contactus.html for a list of phone numbers by province.

HAVE YOU CHECKED YOUR
LOCAL ZONING LAWS?

2

Local zoning laws and Home Owners Associations may regulate the height, style, and placement of your fence. Some locations may even require a permit.

ARE YOU ABSOLUTELY SURE
WHERE YOUR **PROPERTY
LINE IS?**

3

Ensure the installation of your fence is within your property line limits.

HAVE YOU TALKED TO YOUR
NEIGHBORS?

4

Your fence will become part of their yard too, and you'll have an easier time building it if you can have access from both sides. Besides, you may get lucky if they decide to share the cost with you.

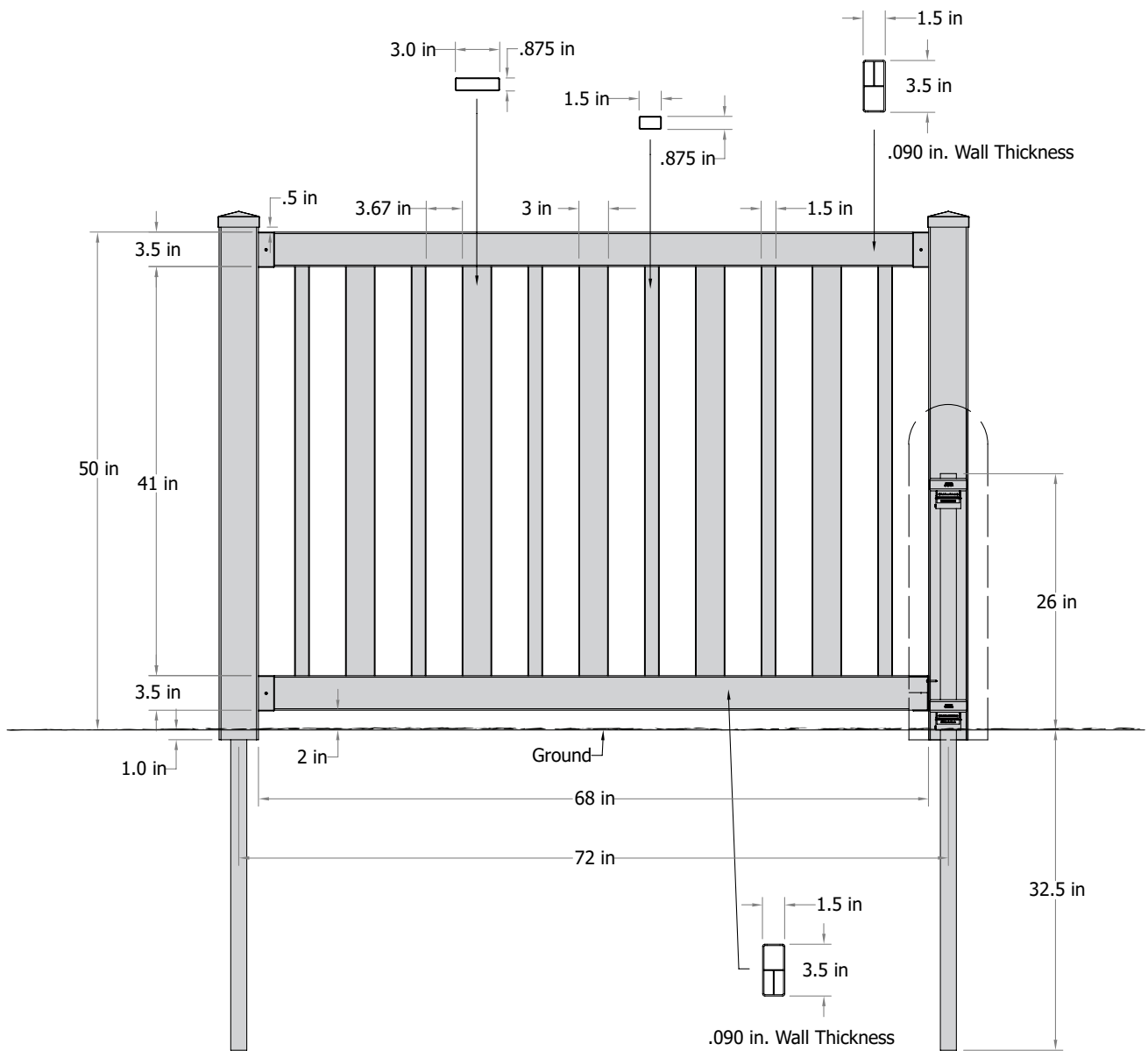


IMPORTANT!
UNSTABLE GROUND OR
ROCK?

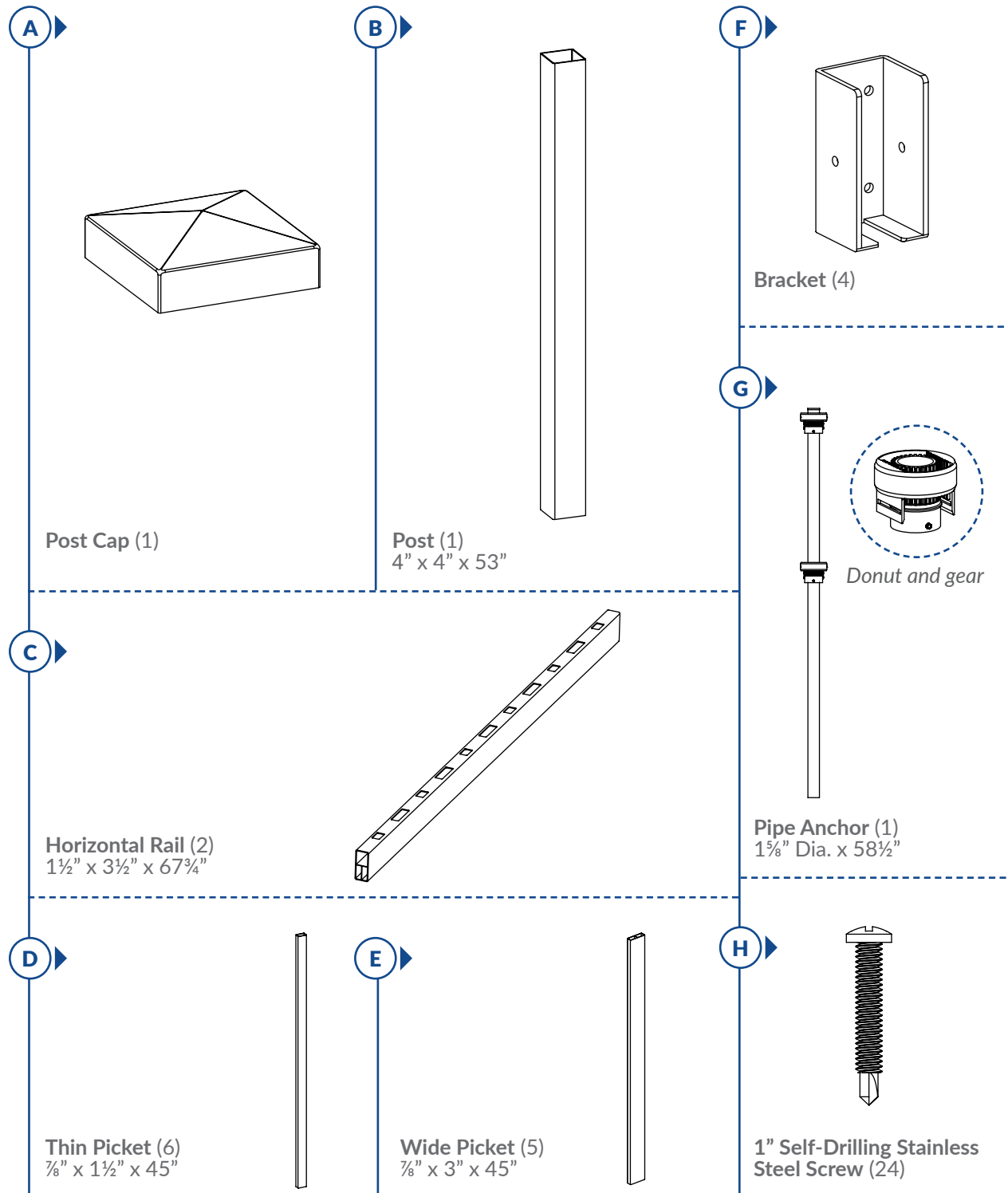
5

If you encounter rock or unstable ground, you can concrete the pipe into place either during installation or afterwards.

DETAILED PRODUCT DIMENSIONS AND SPECIFICATIONS



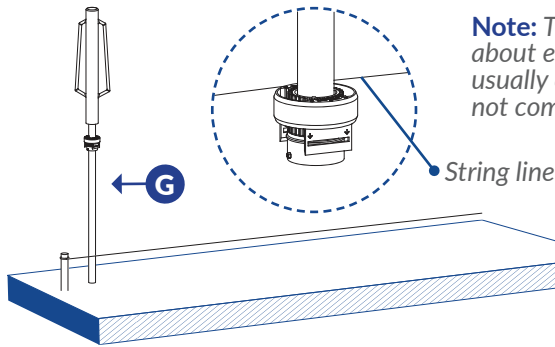
STEP 1: LAY OUT MATERIALS



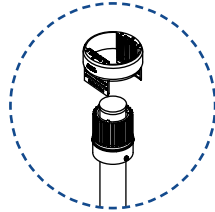
STEP 2: INSTALL PIPE ANCHORS AND POSTS

STEP 2.1

▶ After establishing your fence lines with string and stakes, drive your first Pipe Anchor (G) into the ground. The bottom of the donut should sit just above the ground when finished.



Note: Try and drive the pipe anchor as level as possible. Check level about every 12". After about 18" the trajectory of the pipe anchor is usually established, and you cannot manually pull it level (donut will not compensate for a severely crooked pipe).



Note: Remove the top donut and slide it up over the pipe. Your post pounder barrel cannot be longer than 24".



Post Pounder



10lb Sledgehammer



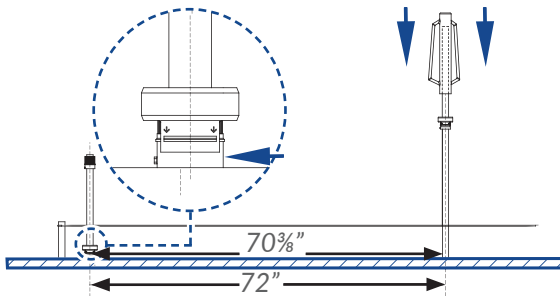
5lb Sledgehammer



Hammer

STEP 2.2

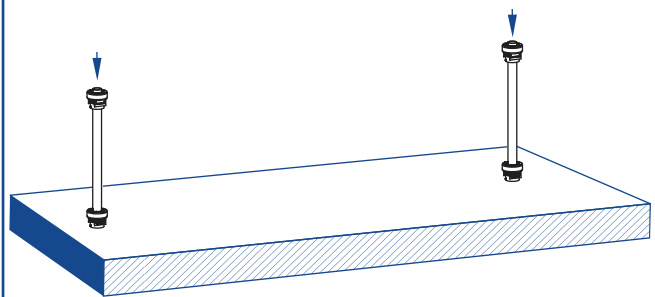
▶ Identify the location of your second pipe anchor and drive it into the ground.



Note: Distance between inner plastic gears (not donuts) to pipe should be 70 3/8" (or center to center of pipe at 72").

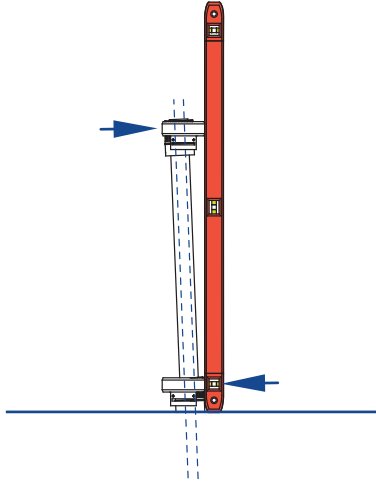
STEP 2.3

▶ If you removed the upper donut, slide it back down over the inner gear.

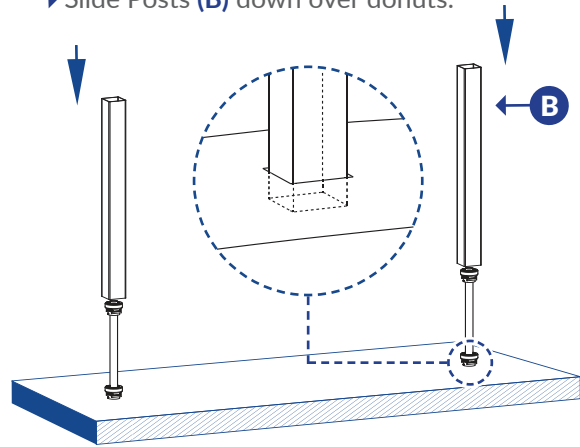


STEP 2.4

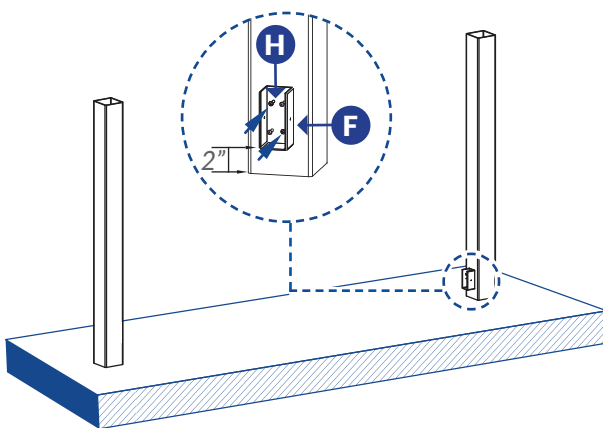
- ▶ Adjust bottom and top donuts to compensate for a crooked pipe anchor.

**STEP 2.5**

- ▶ Slide Posts (B) down over donuts.



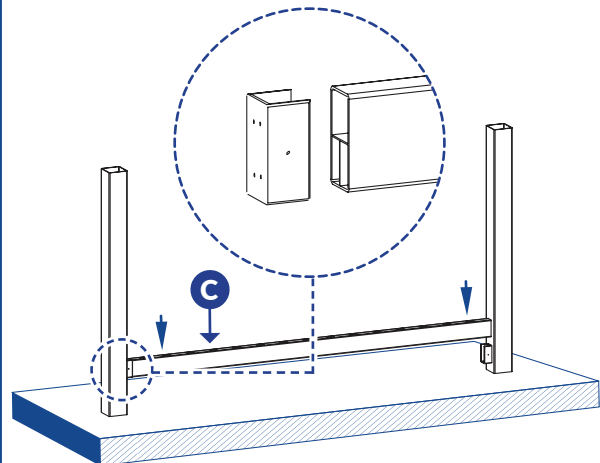
Note: Ground can be dug out about 3" to 4" to allow post bottoms to sit below the ground if necessary.

STEP 3: INSTALL BRACKETS AND BOTTOM RAILS**STEP 3.1**

- ▶ Install (1) Bracket (F) on post approximately 2" off ground using (4) 1" Self-Drilling Stainless Steel Screws (H).

STEP 3.2

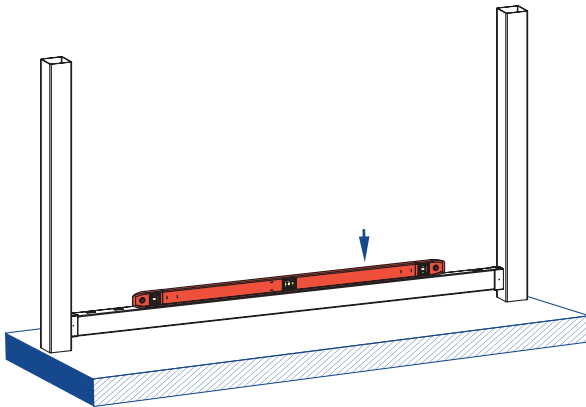
- ▶ Place second bracket over the opposite end of the Horizontal Rail (C), and slide the rail down into the bracket on the opposing side.



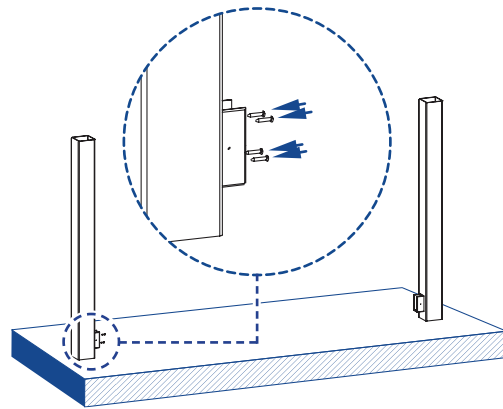
Note: There could be a slight conflict between the head of the exposed screw and the end of the rail in a tight fitting application. The end of the rail can be notched to accommodate.

STEP 3.3

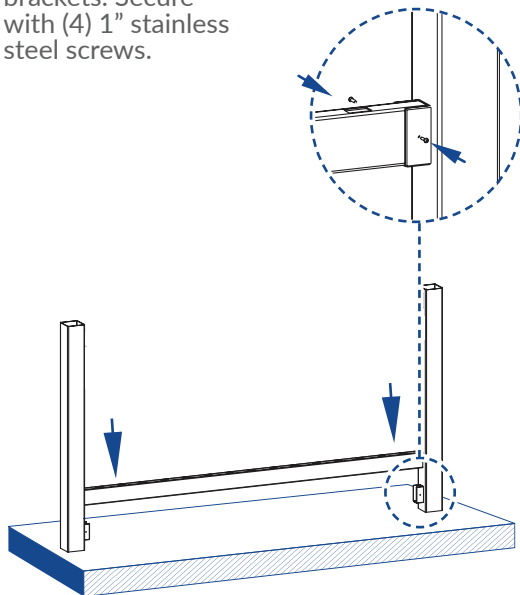
- ▶ Use a level on the top of the bottom rail to determine height of opposing bracket, and mark for installation.

**STEP 3.4**

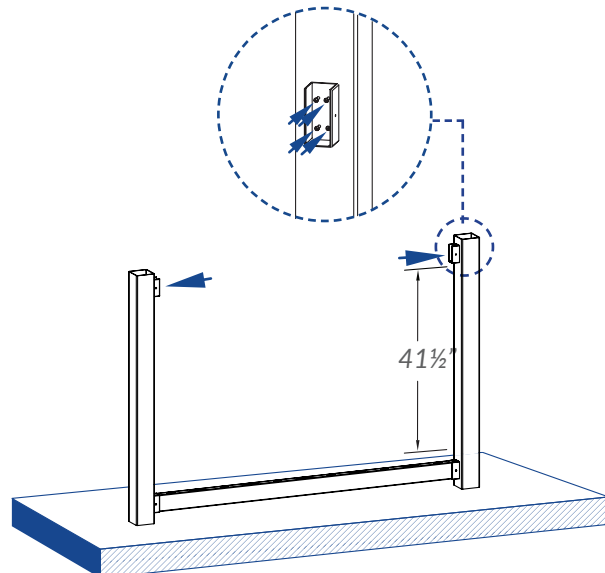
- ▶ Temporarily remove bottom rail and install bracket using (4) 1" self-drilling stainless steel screws.

**STEP 3.5**

- ▶ Slide horizontal rail down into the brackets. Secure with (4) 1" stainless steel screws.

**STEP 3.6**

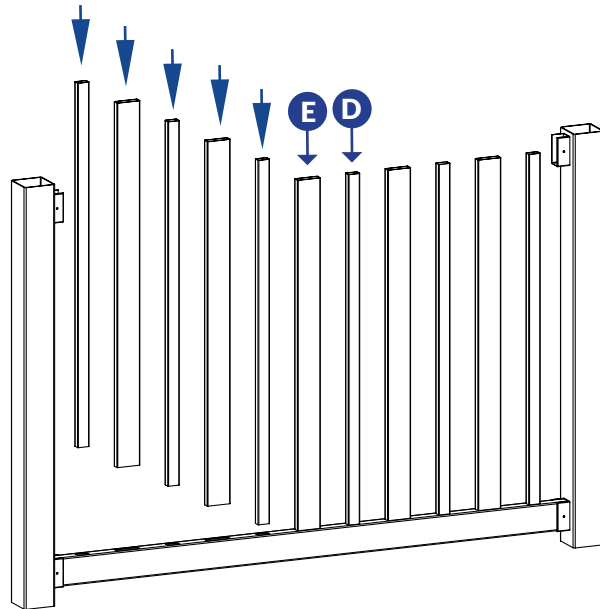
- ▶ Install top brackets 41½" above the top of the bottom brackets using (8) 1" self-drilling stainless steel screws.



STEP 4: INSTALL PICKETS

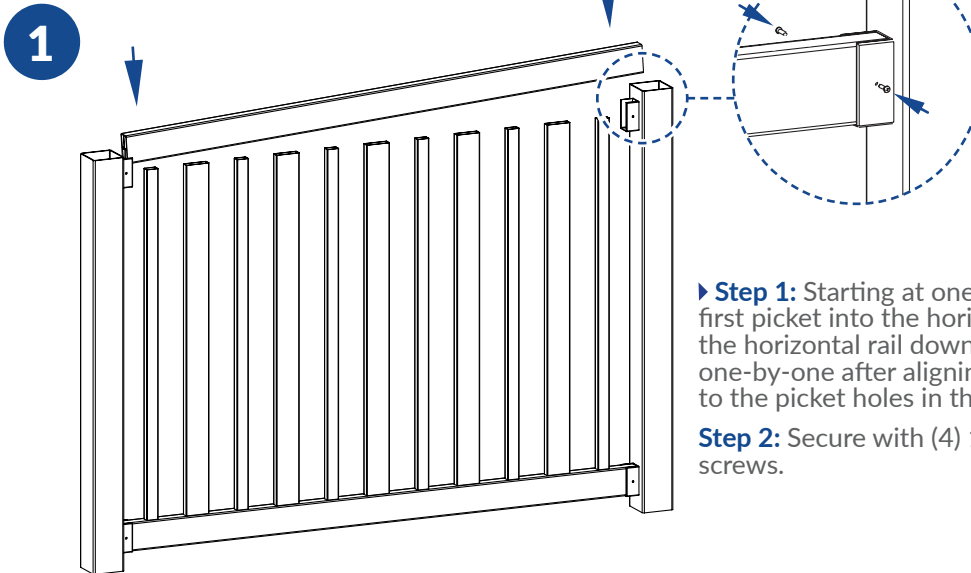
STEP 4.1

▶ Insert Thin Pickets (D) and Wide Pickets (E), alternating thin and wide as illustrated.



STEP 5: INSTALL HORIZONTAL RAIL AND POST CAPS

STEP 5.1

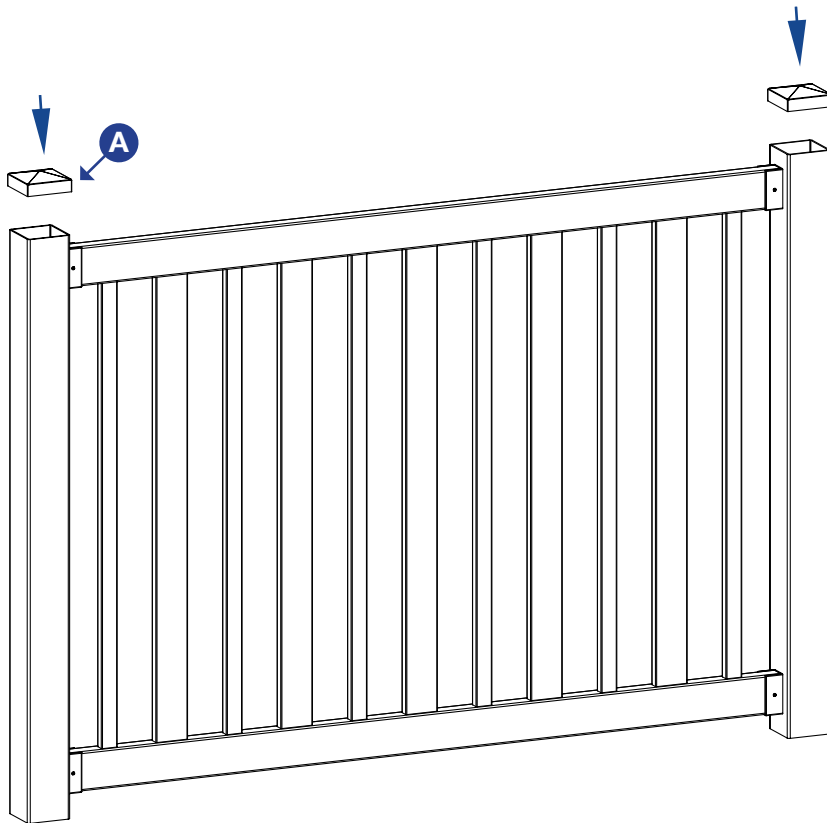


▶ **Step 1:** Starting at one end, insert the first picket into the horizontal rail. Walk the horizontal rail down over the pickets one-by-one after aligning each picket to the picket holes in the horizontal rail.

▶ **Step 2:** Secure with (4) 1" stainless steel screws.

STEP 5.2 ▶

▶ Trim down tops of the posts if necessary, and install Post Caps (A). Use PVC glue (not included) to secure permanently.



WamBam

No-Dig Fence



6935 Reames Rd. Ste. K.
Charlotte, NC 28216



hmmm@wambamfence.com

704-892-5222
877-778-5733



WWW.WAMBAMFENCE.COM