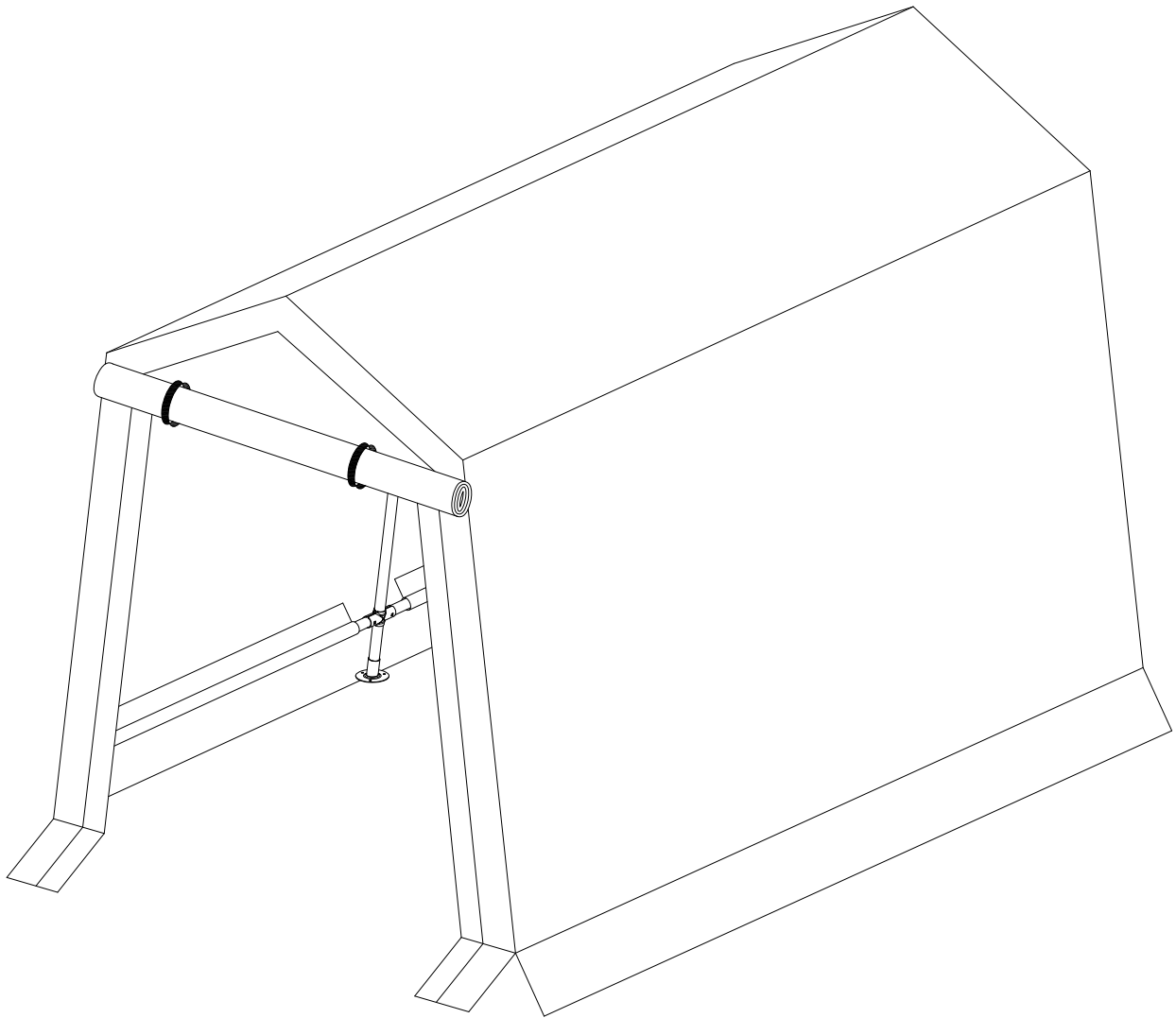

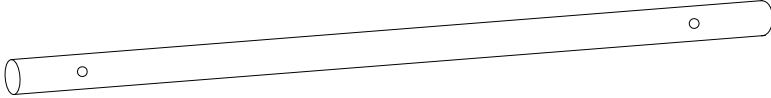

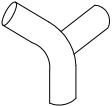
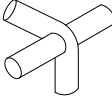
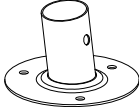

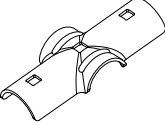



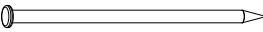
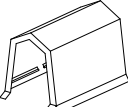
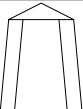


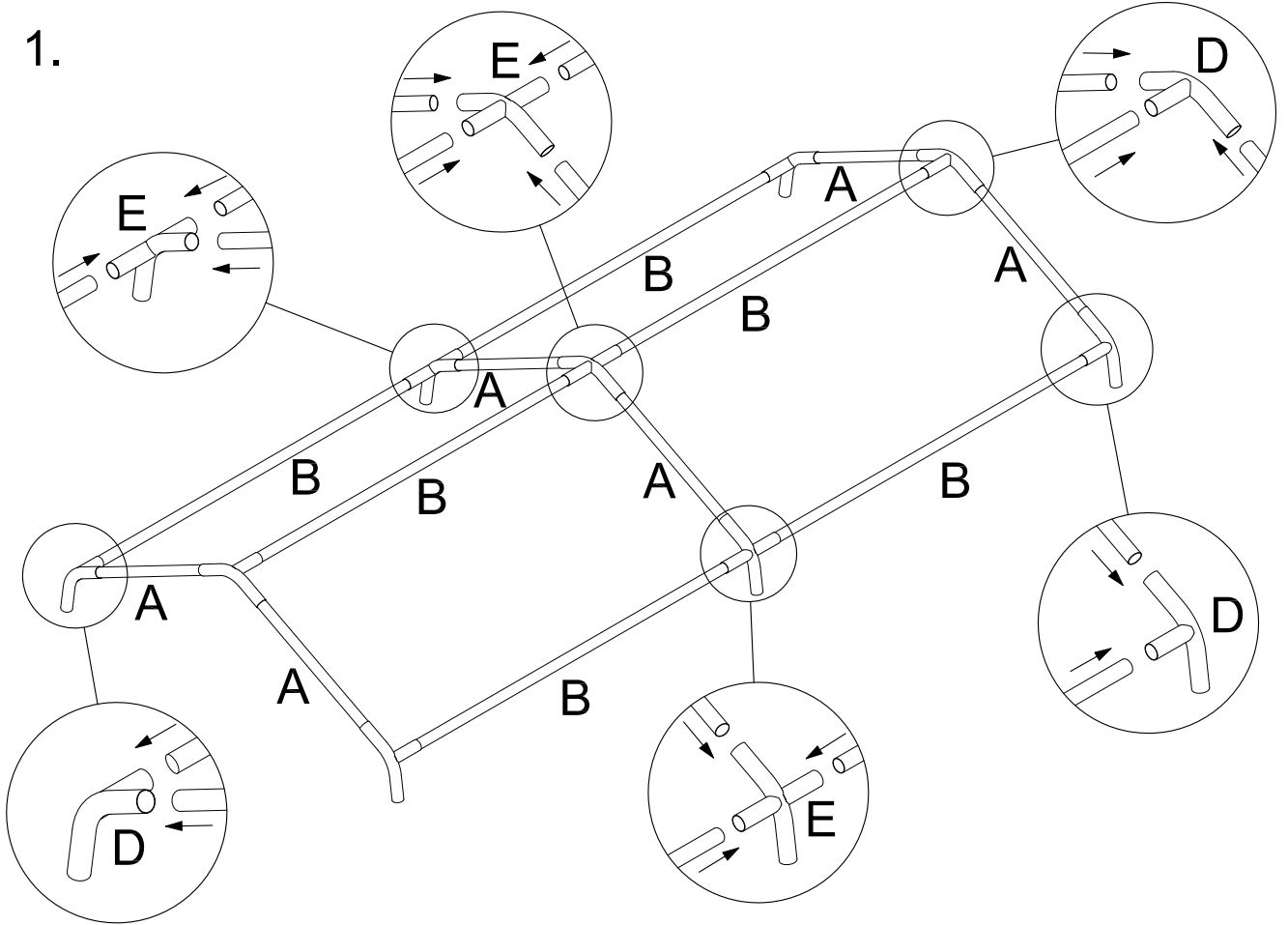
# Installation Guide

## 8'x14' Storage Shed

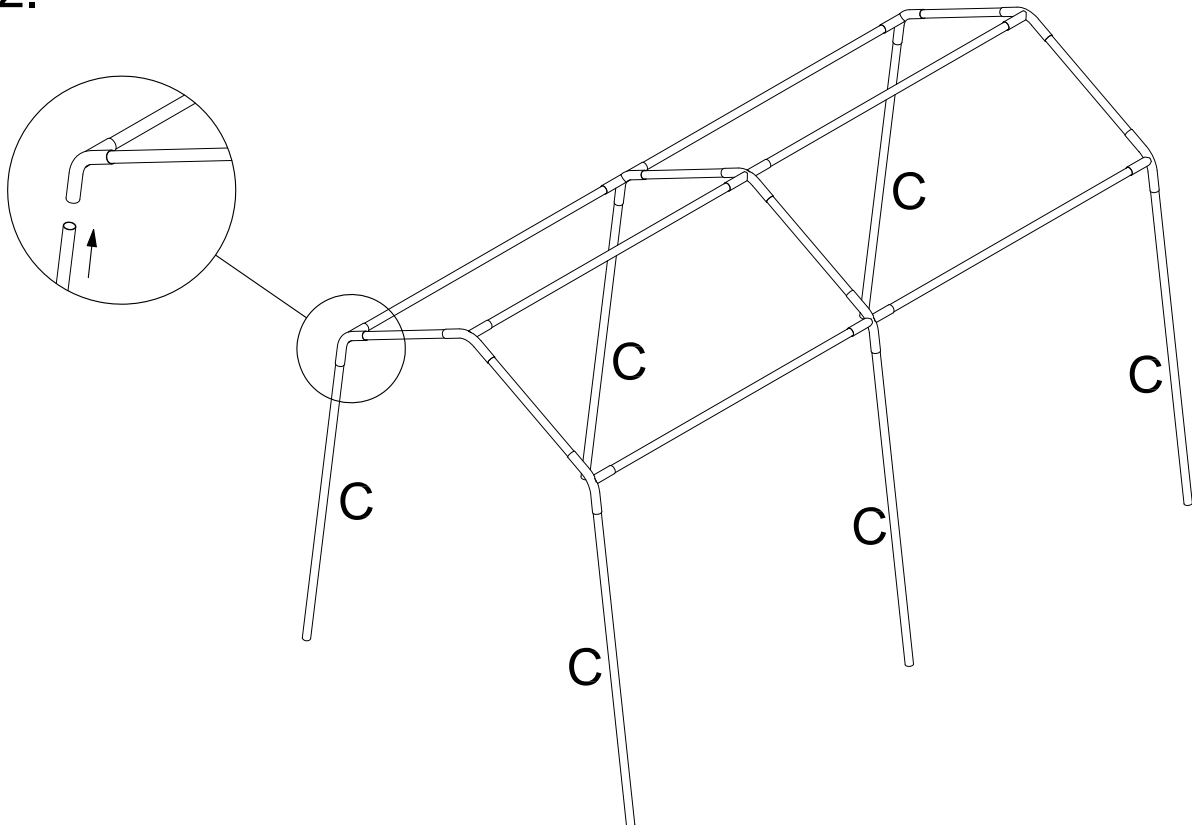


| PART | ILLUSTRATION  | QTY |
|------|---|-----|
| A    |   | 6   |
| B    |   | 10  |
| C    |   | 6   |
| D    |    | 6   |
| E    |    | 3   |
| F    |   | 6   |
| G    |  | 8   |
| H    |  | 4   |
| I    |  | 6   |
| J    |  | 8   |
| K    |  | 32  |
| L    |  | 6   |
| M    |  | 1   |
| N    |  | 1   |

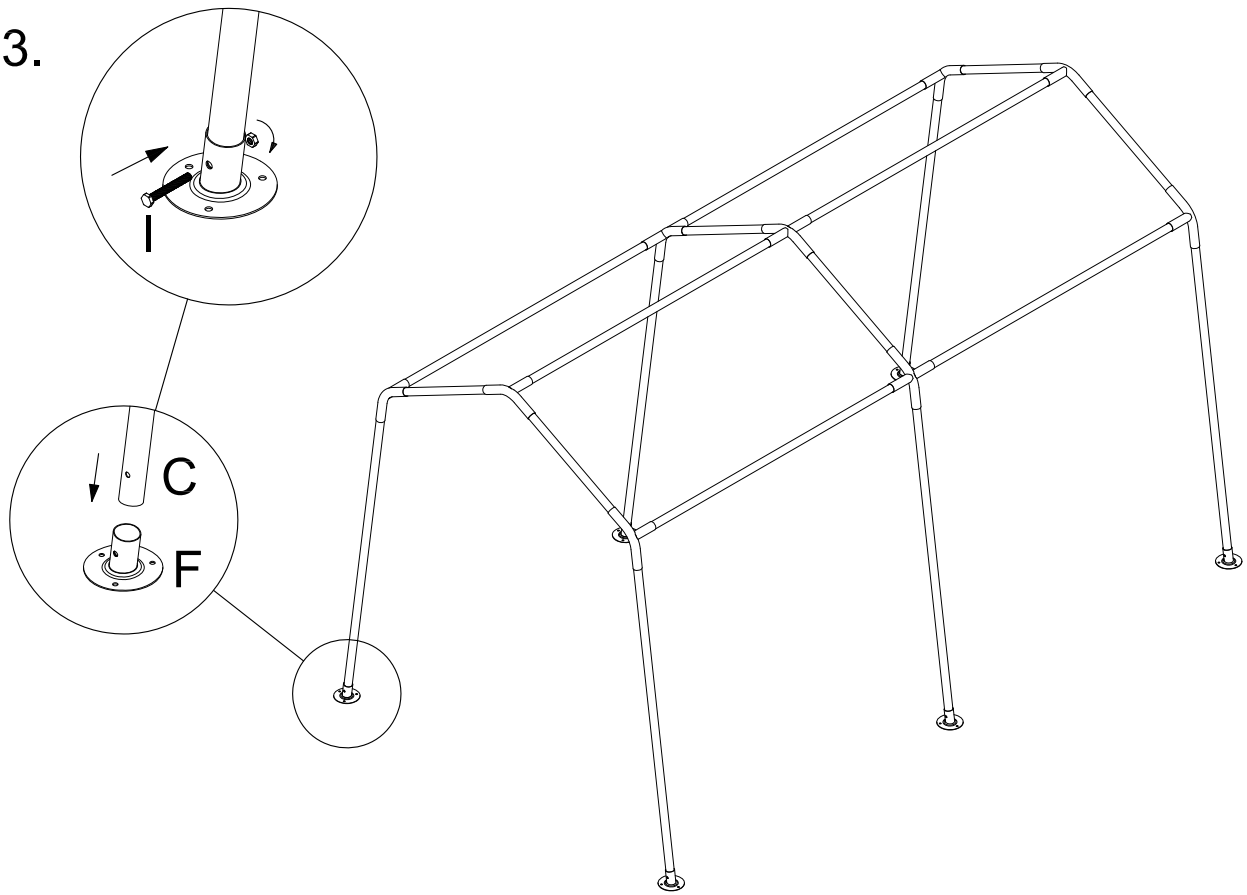
1.



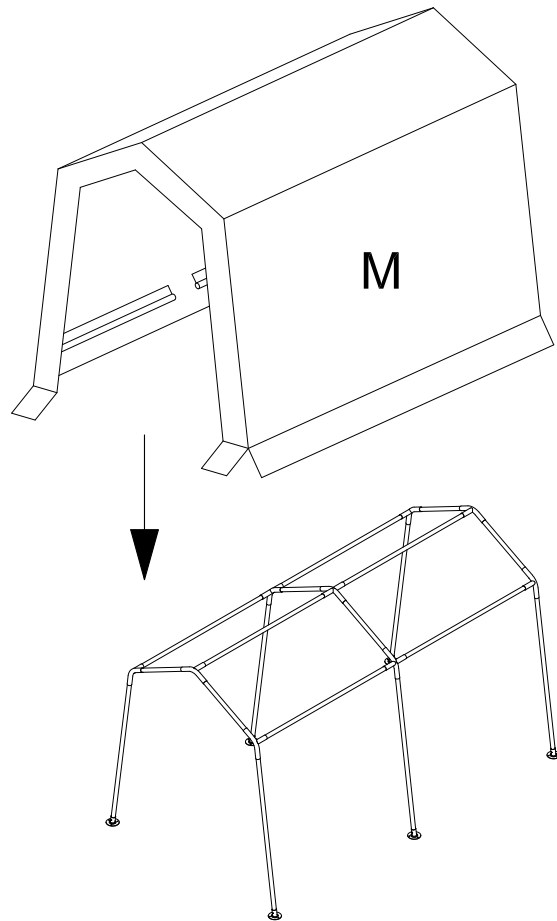
2.



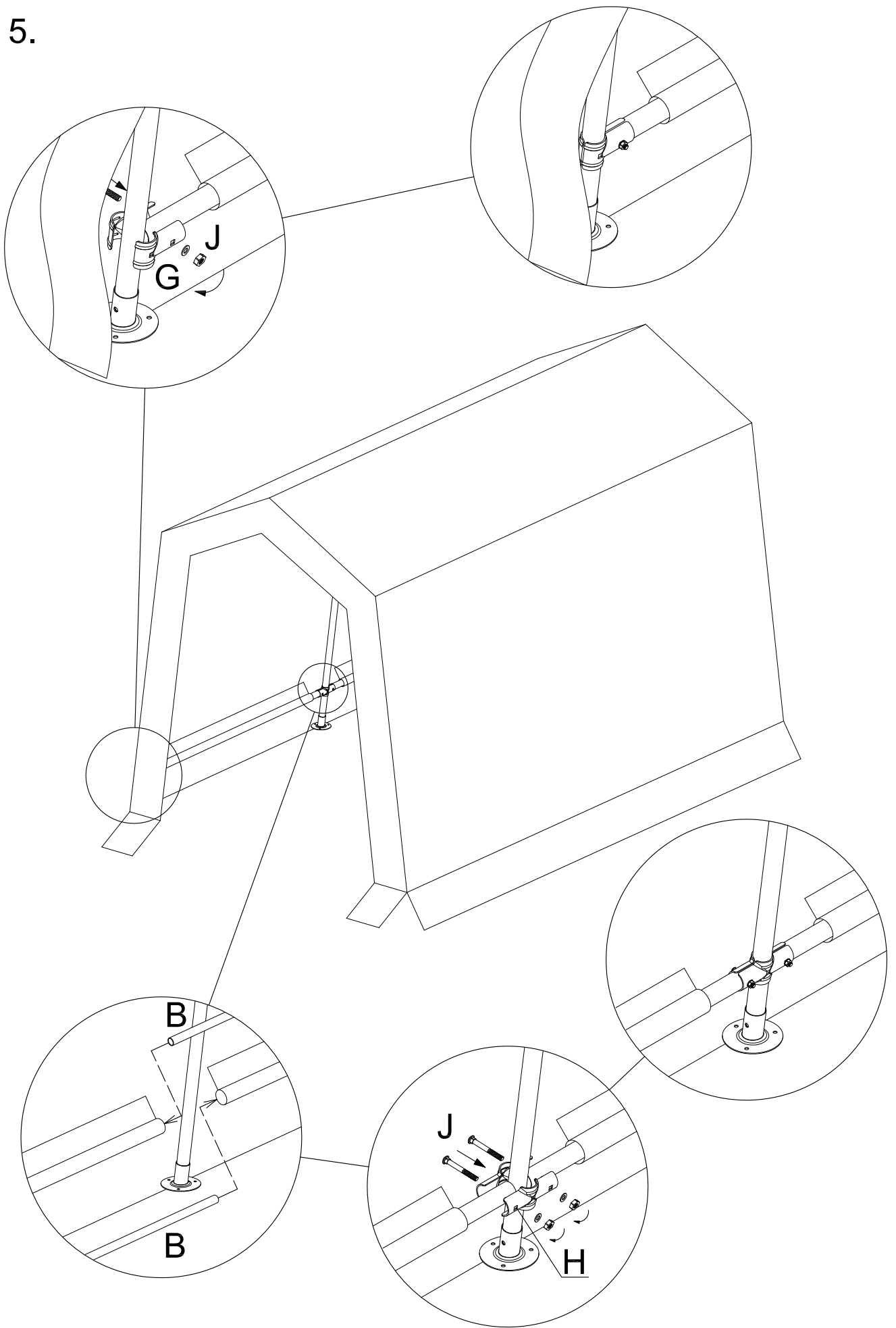
3.



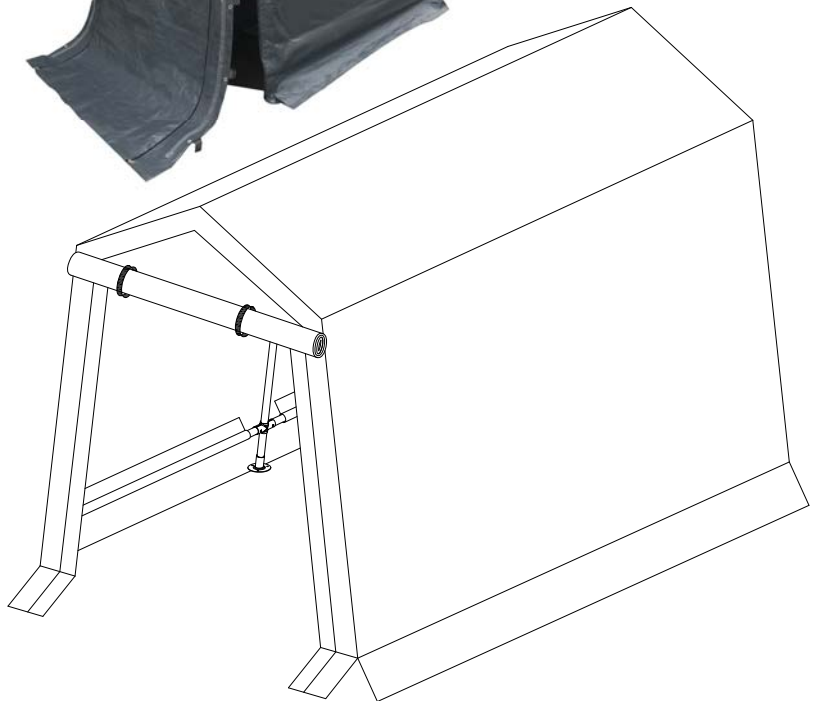
4.



5.



6.



7.

