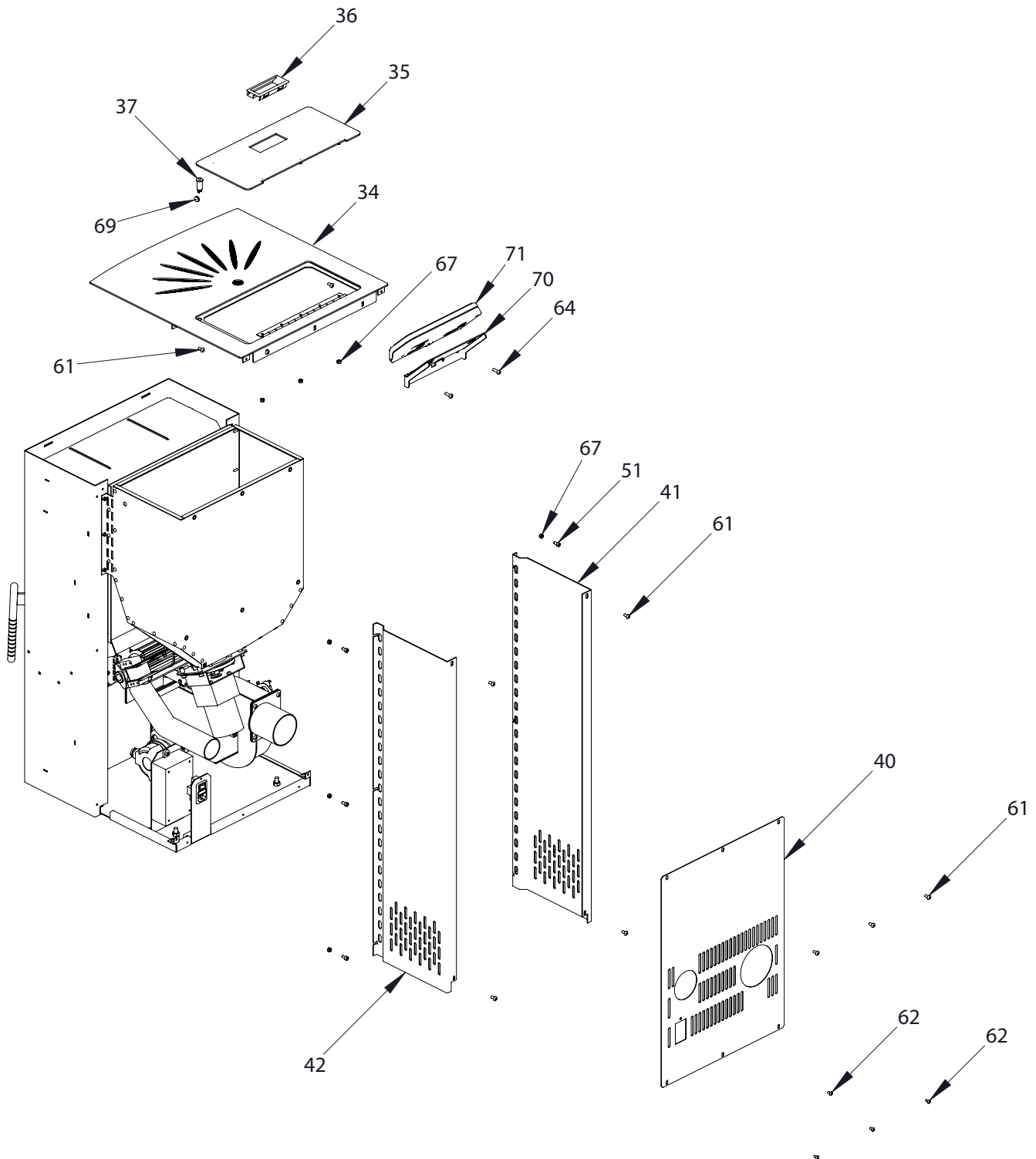
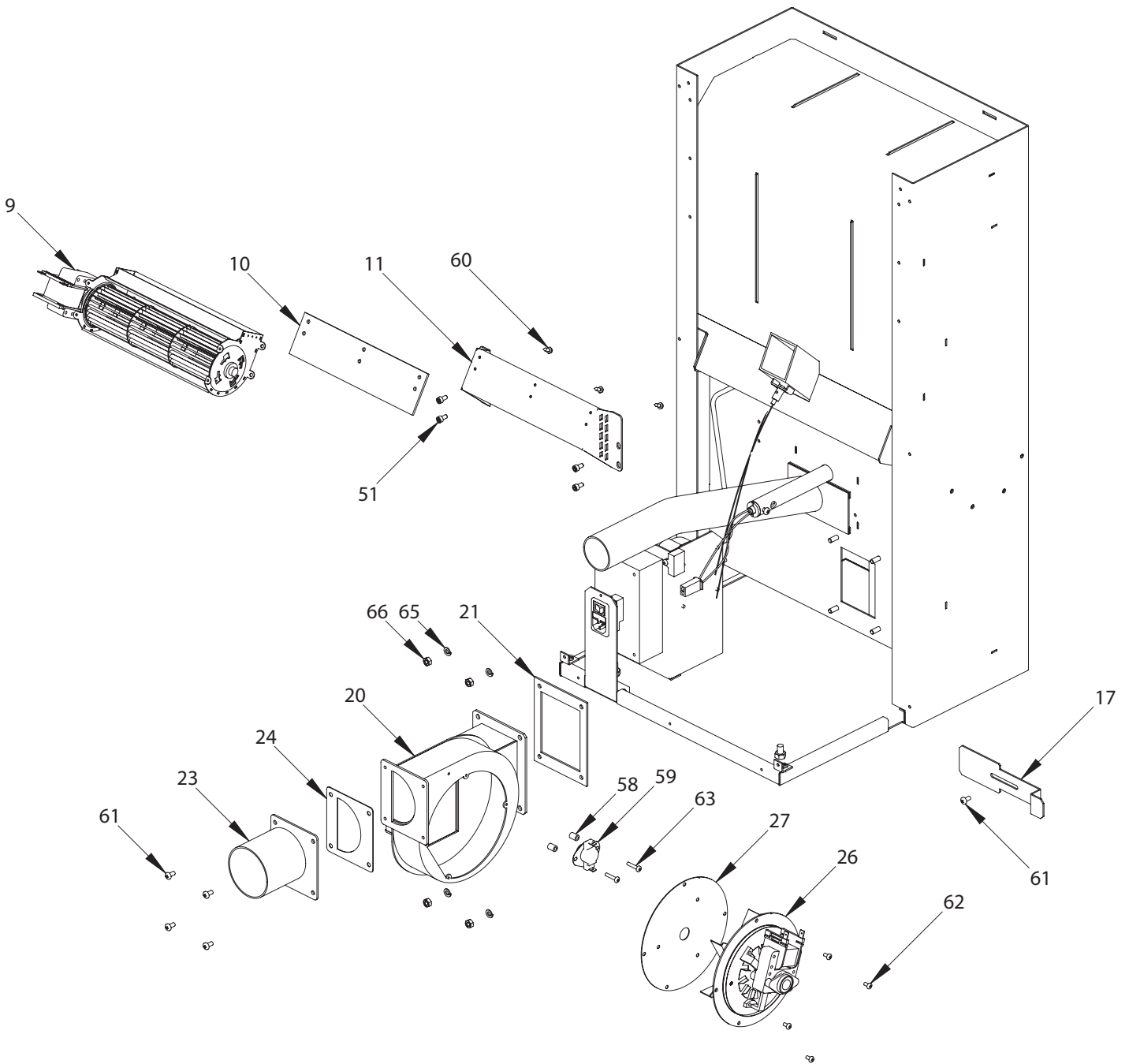
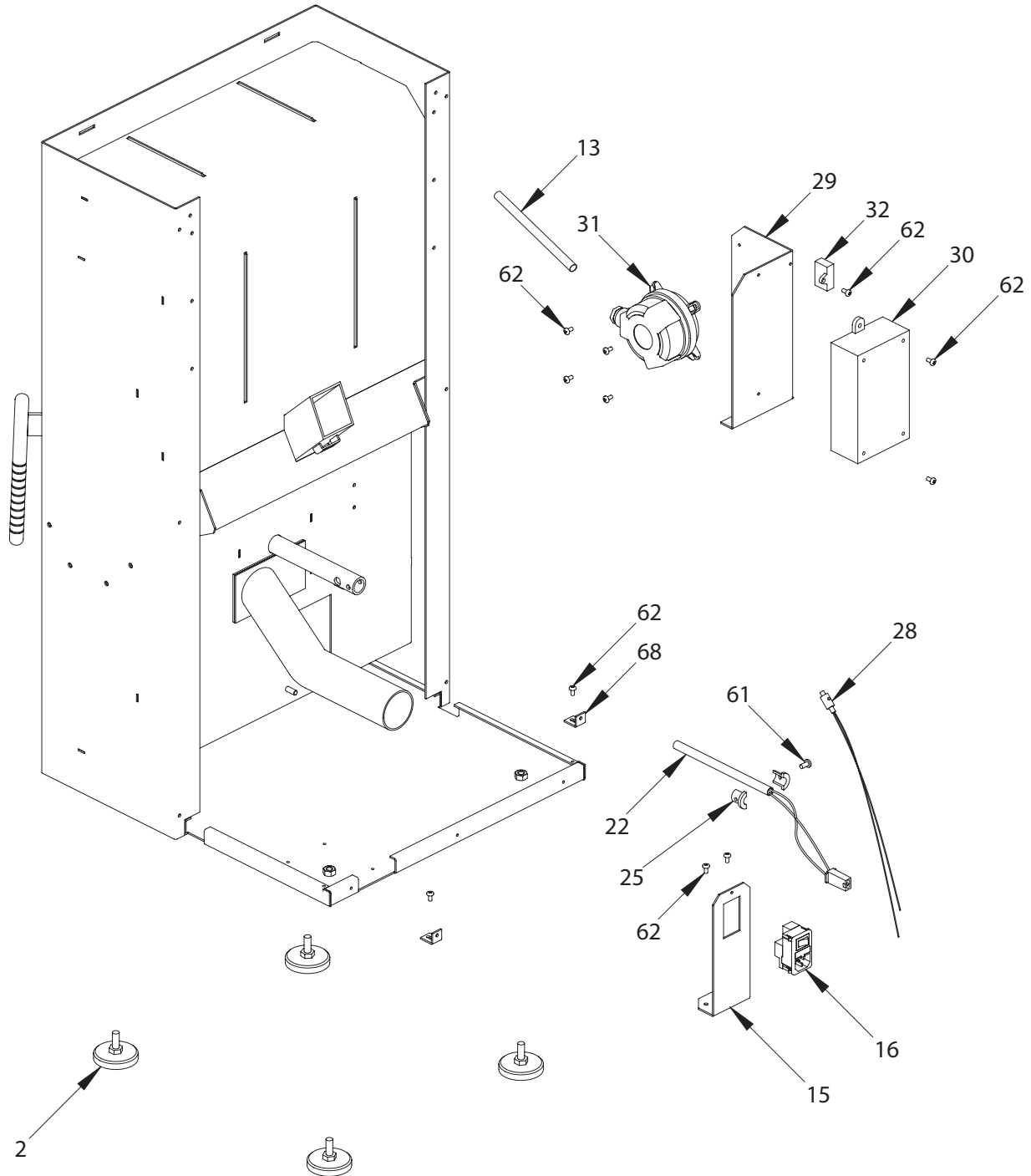
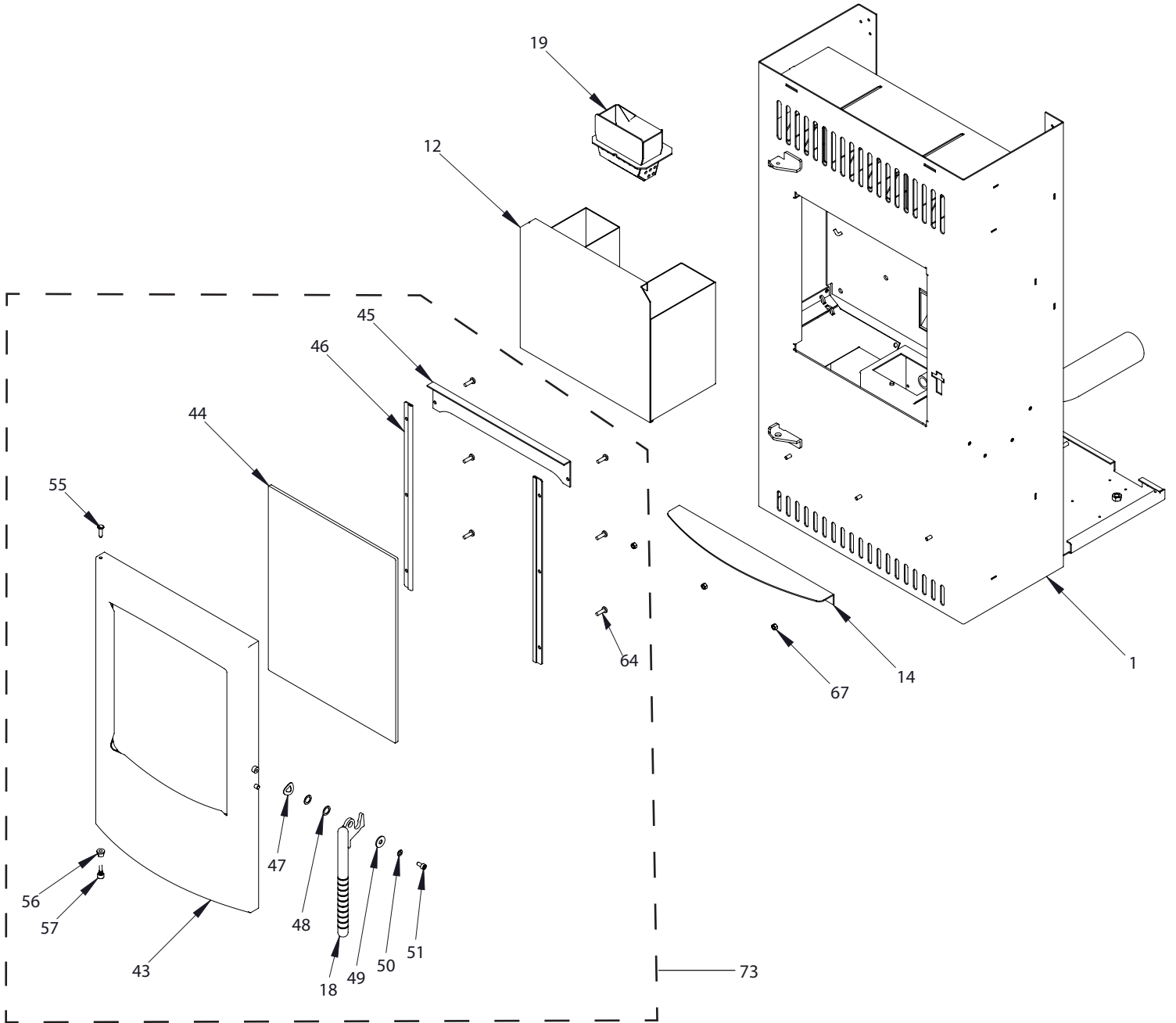


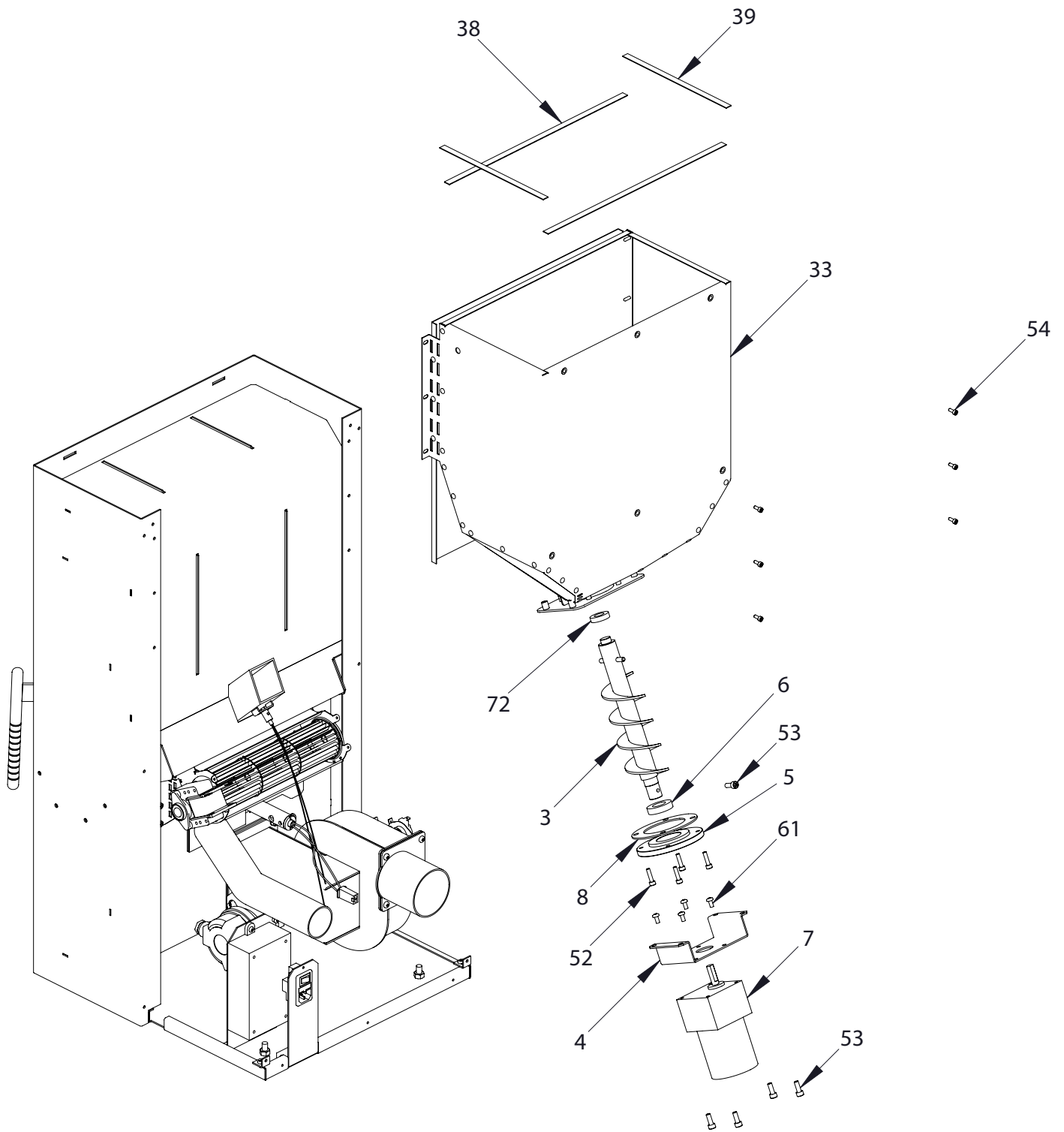
## PARTS EXPLOSION FOR SERENITY











## PARTS LIST FOR SERENITY

KEY #	PART #	DESCRIPTION	QTY.
1	12276*	WELDMENT FIREBOX SERENITY	1
2	720216	FOOT ADJUSTABLE	4
3	720219	WELDMENT AUGER HPS FEED SYSTEM	1
4	720223	PLATE AUGER MOTOR MOUNT HPS FEED SYSTEM	1
5	720222	LOWER COVER PLATE AUGER	1
6	720220	AUGER BEARING LOWER	1
7	720107	GEAR MOTOR AUGER HPS FEED SYSTEM	1
8	12225	GASKET AUGER HOUSING HPS FEED SYSTEM	1
9	720104	CONVECTION BLOWER CASTLE	1
10	12250*	GASKET CONVECTION BLOWER	1
11	12249*	BRACKET CONVECTION BLOWER	1
12	12240	WELDMENT ASH PAN	1
13	12283*	TUBE VACUUM SWITCH PORT	1
14	12231*	PANEL ASH SHELF HPS	1
15	12293*	PANEL POWER ENTRY	1
16	720227	MODULE POWER ENTRY	1
17	720214*	AIR DAMPER SLIDING DOOR	1
18	720246	WELDMENT HANDLE STOVE DOOR	1
19	720235	WELDMENT FIREPOT HPS	1
20	12364*	WELDMENT COMBUSTION BLOWER HOUSING HPS	1
21	12365	GASKET COMBUSTION BLOWER HOUSING HPS	1
22	720307	IGNITER HPSIC	1
23	12368*	WELDMENT EXHAUST HPS	1
24	12369*	GASKET EXHAUST HPS	1
25	720308	IGNITER RETAINER CASTLE	2
26	720110	ASSY EXHAUST BLOWER HPS	1
27	720295	GASKET COMBUSTION BLOWER HPS	1
28	720106	SENSOR TEMPERATURE 92 DEG C HPS	1
29	12377*	BRACKET CONTROLLER HPS	1
30	720304	INTERFACE MODULE	1
31	720238	VACUUM SWITCH	1
32	720288	AUGER CAPACITOR HPS	1
33	12382*	ASSY HOPPER HPS	1
34	12397*	WELDMENT STOVE TOP HPS	1
35	12400*	WELDMENT HOPPER LID	1
36	720229	HOPPER COVER HANDLE	1
37	720055	SWITCH 3/8 PLUNGER	1
38	12390*	SEAL HOPPER FOAM TAPE 365MM HPS	2

KEY #	PART #	DESCRIPTION	QTY.
39	12391*	SEAL HOPPER FOAM TAPE 212MM HPS	2
40	12402*	PANEL BACK STOVE ACCESS HPS	1
41	12403	PANEL LEFT STOVE ACCESS HPS	1
42	12404	PANEL RIGHT STOVE ACCESS HPS	1
43	720241	WELDMENT STOVE DOOR HPS	1
44	720242	GLASS DOOR HPS	1
45	12414	BAFFLE AIRWASH HPS	1
46	720243*	RETAINER DOOR GLASS	2
47	720244	WASHER M10 SNGL WAVE ZN	1
48	720247	SHIM M10 X 15.22 X 0.75 ZN	2
49	12432*	WASHER M6 X 18.8 FLAT ZN	1
50	3308*	WASHER FLAT M5 5.3 X 10 X 1.0 ZN	1
51	12415*	BOLT M5 X 0.8 X 10 SHCS GR8.8 BLK OX F-T	11
52	12423*	BOLT M5 X 0.8 X 20 SHCS GR12.9 BLK OX F-T	4
53	12425*	BOLT M6 X 1.0 X 16 SHCS GR12.9 BLK OX F-T	5
54	12427*	BOLT M4 X 0.7 X 10 SHCS GR12.9 BLK OX F-T	6
55	720234*	PIN TOP DOOR HINGE HPS	1
56	720208*	INSERT M6 X 1.0 X 9.9	1
57	720209*	BOLT M6 X 1.0 X 6 X 10 PILOT SHCS GR 12.9 BLK OX F-T	1
58	700070*	SPACER STANDOFF 4.2 X 8.0 X 11.0	2
59	720103	SWITCH THERMAL DISC 52 DEG C	1
60	12417*	SCREW ST4.2 X 1.5 X 13 SLHFF TYPE AB ZN	3
61	12418*	BOLT M5 X 0.8 X 10 PPHMS GR8.8 ZN F-T	20
62	12419*	BOLT M4 X 0.7 X 8 PPHMS GR8.8 ZN F-T	21
63	12420*	BOLT M4 X 0.7 X 20 PPHMS GR8.8 ZN F-T	2
64	12430*	BOLT M5 X 0.8 X 16 PPHMS GR8.8 ZN F-T	8
65	18130*	WASHER M6 X 1.5 SPRLCK ZN	4
66	W1265V0913*	NUT M6 X 1.0 HNYLK GR8.8 ZN	4
67	W1200128*	NUT M5 X 4 H GR8.8 ZN	12
68	12426*	BRACKET M5 X 0.8	2
69	12428*	GROMMET 2 X 8 ELECTRICAL	1
70	12429	BRACKET CONTROLLER INTERFACE HPS	1
71	720298	INTERFACE CONTROLLER HPS	1
72	720221	AUGER BEARING UPPER	1
73	720204	ASSEMBLY FRONT DOOR	1
-	15270	SEAL GASKET MAIN DOOR (NOT SHOWN)	1
-	15271	SEAL GASKET DOOR GLASS (NOT SHOWN)	1

\* Not a serviceable part. Special order only.