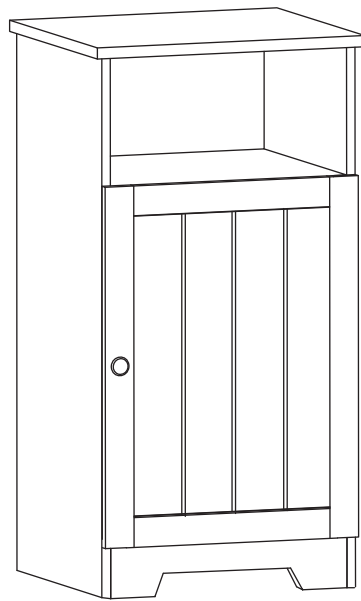


Assembly Instructions



Dimensions

Width-34cm
Depth-30cm
Height-70cm
Made in China

Note:Each "Cam Insert"(part B) has an arrow stamped on the top of the Cam at the end of one of the cuts to accept the screwdriver.

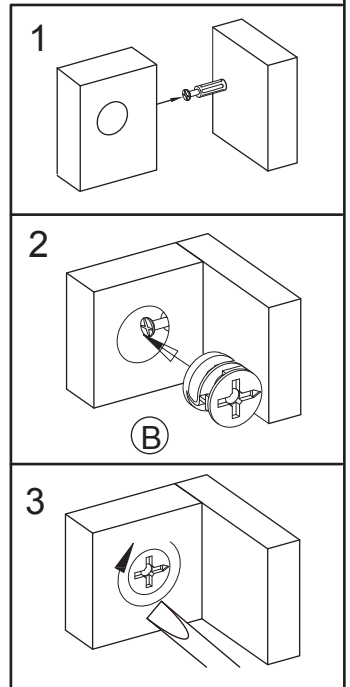
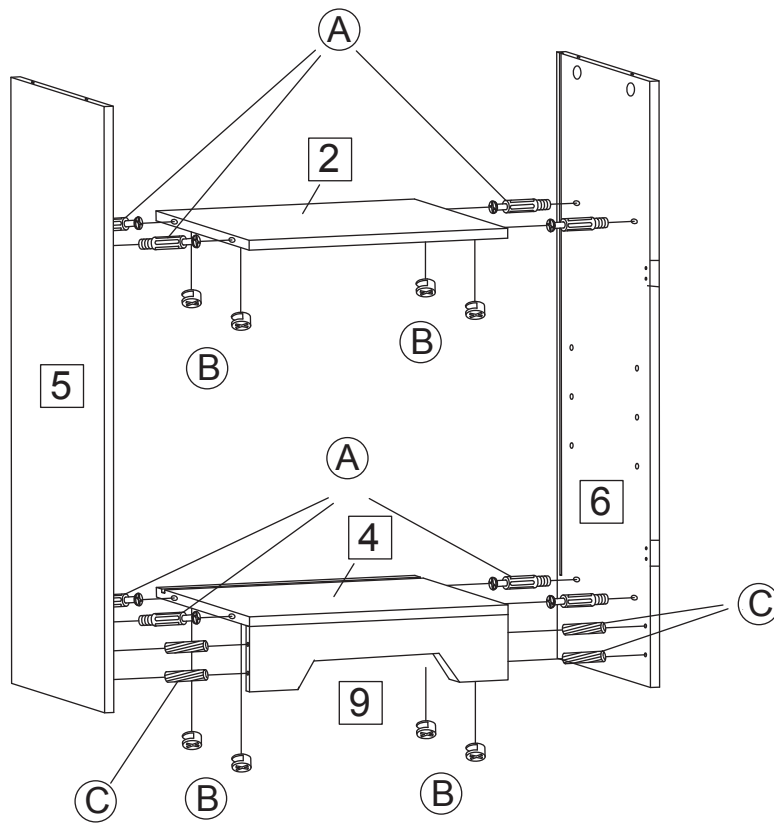
When you place the twelve Cam inserts (B) into the holes on each panel,make sure the arrow is pointing toward the hole in the edge of the panel.This will allow the one inch threaded post (part A) to be inserted into the Cam insert correctly.

Turn each Cam insert clockwise with a screwdriver, normally about $\frac{1}{2}$ turn, to pull the panels together.

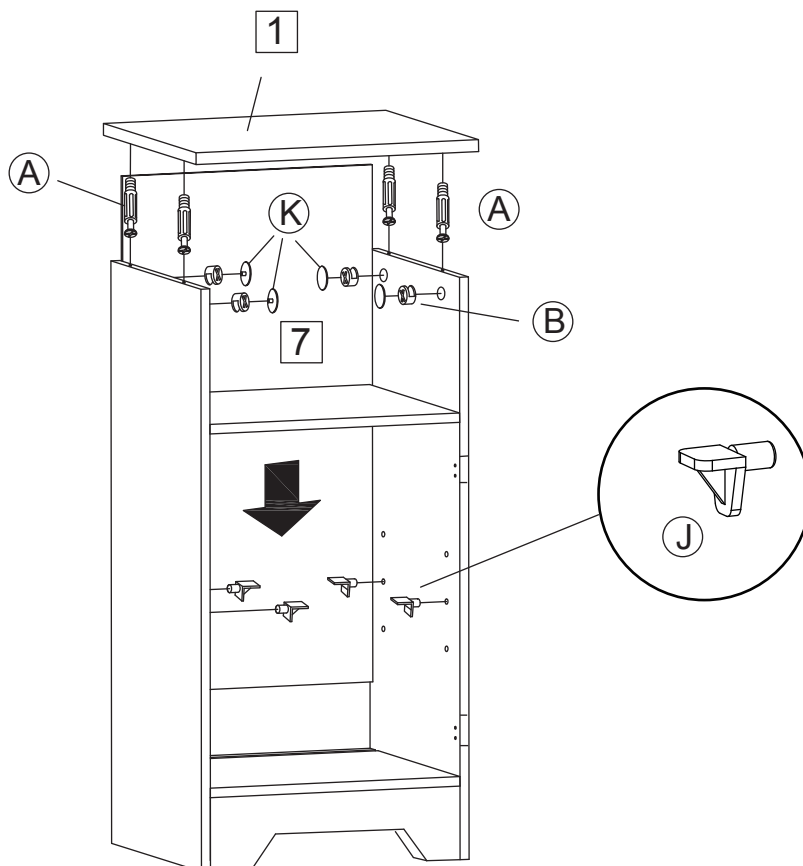
1 x 1pc		2 x 1pc		3 x 1pc		4 x 1pc	
5 x 1pc	6 x 1pc	7 x 1pc	8 x 1pc	9 x 1pc	A x 12pcs	B x 12pcs	C x 4pcs
D x 2pcs	E x 12pcs	F x 1pc	G x 1pc	H x 1pc	I x 1pc	J x 4pcs	K x 4pcs

Assembly Instructions

STEP 1

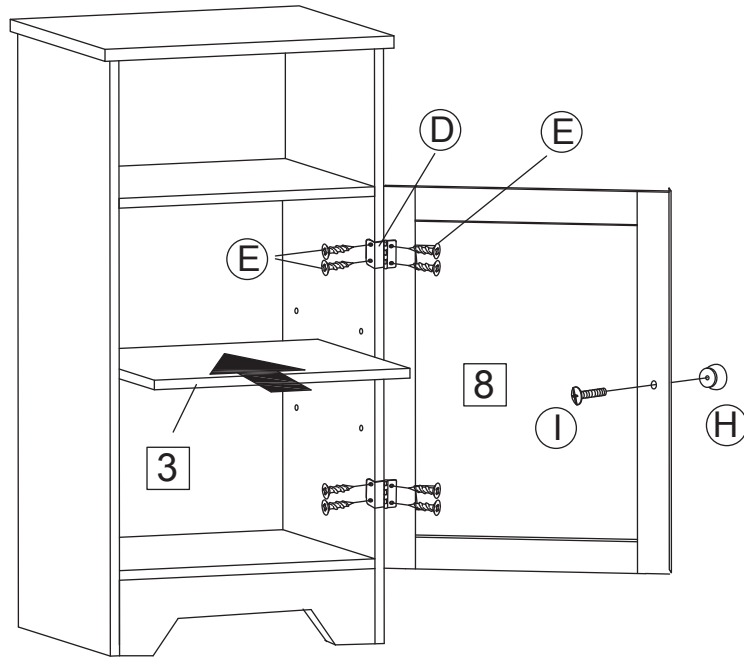


STEP 2

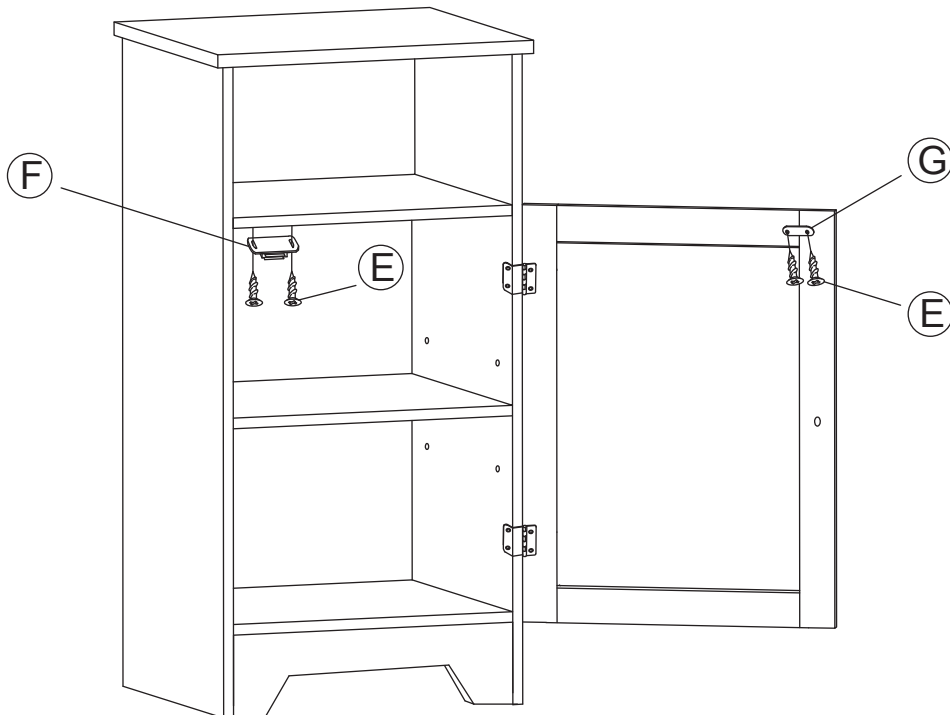


Assembly Instructions

STEP 3



STEP 4



Have a question? Don't worry...we can help. We want your assembly experience to go flawlessly, and we are here Monday thru Friday, 7 AM to 5 PM EST, to answer questions or to send out any needed parts.

Contact us at (765) 473-6683 or e-mail info@RedmonUSA.com

By the way, thanks for the trust you have placed in our company by purchasing a Redmon product, now over 130 years in business serving families around the globe.