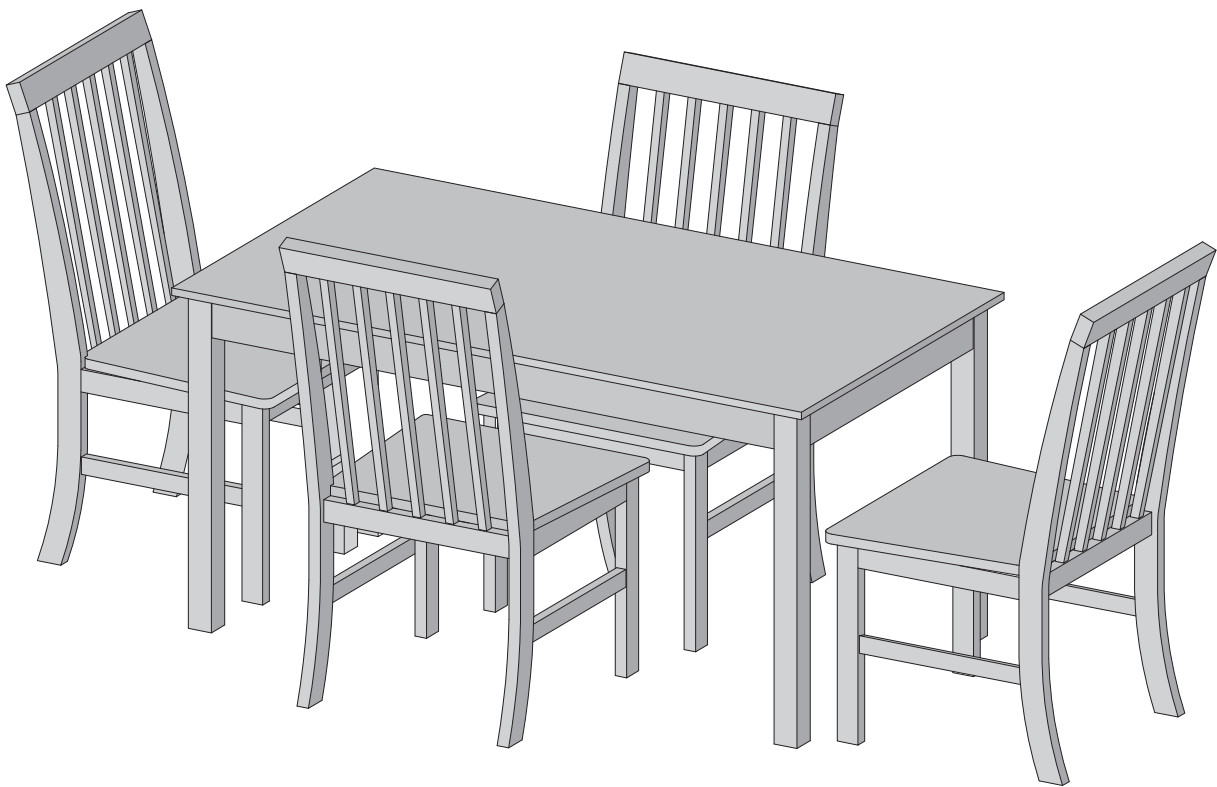


**W** Walker<sup>®</sup>  
Edison  
furniture company

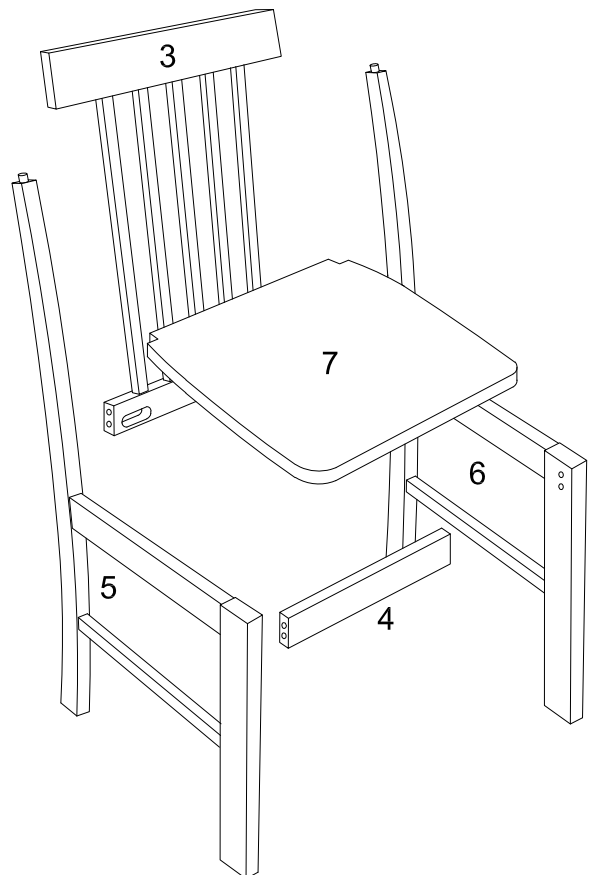
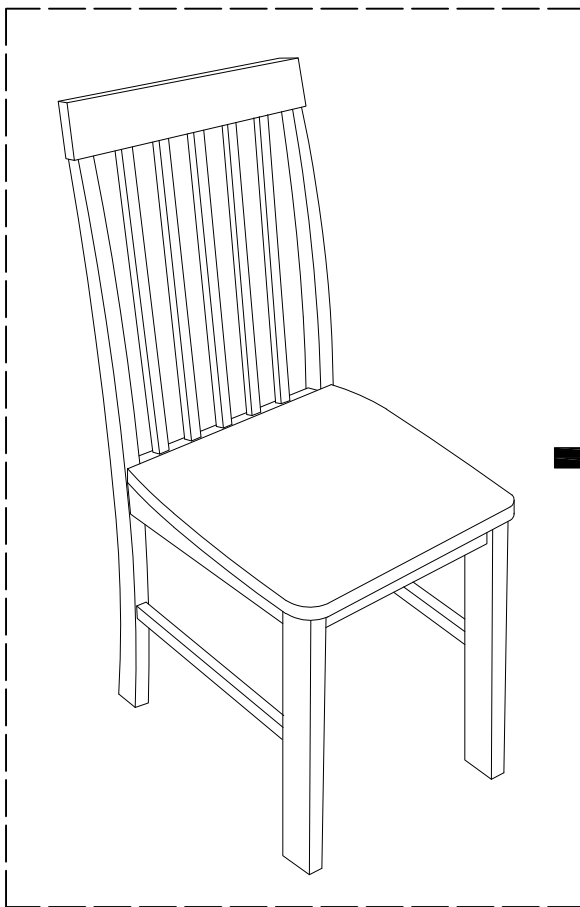
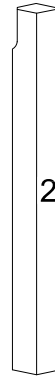
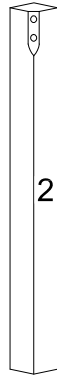
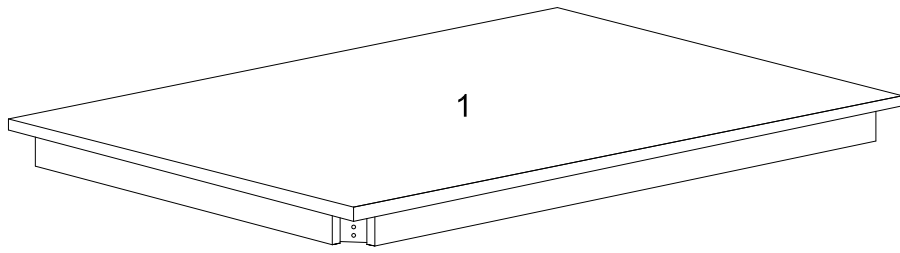
Item # :TW485PC  
Assembly Instructions



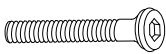


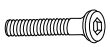

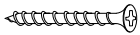



*To request missing, lost or broken parts , or for any other customer service issues,  
please visit our website at [www.walkeredison.com](http://www.walkeredison.com) or call us at 877-207-5906.*

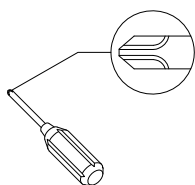
Revised 07/2016

# Parts List



# Hardware List

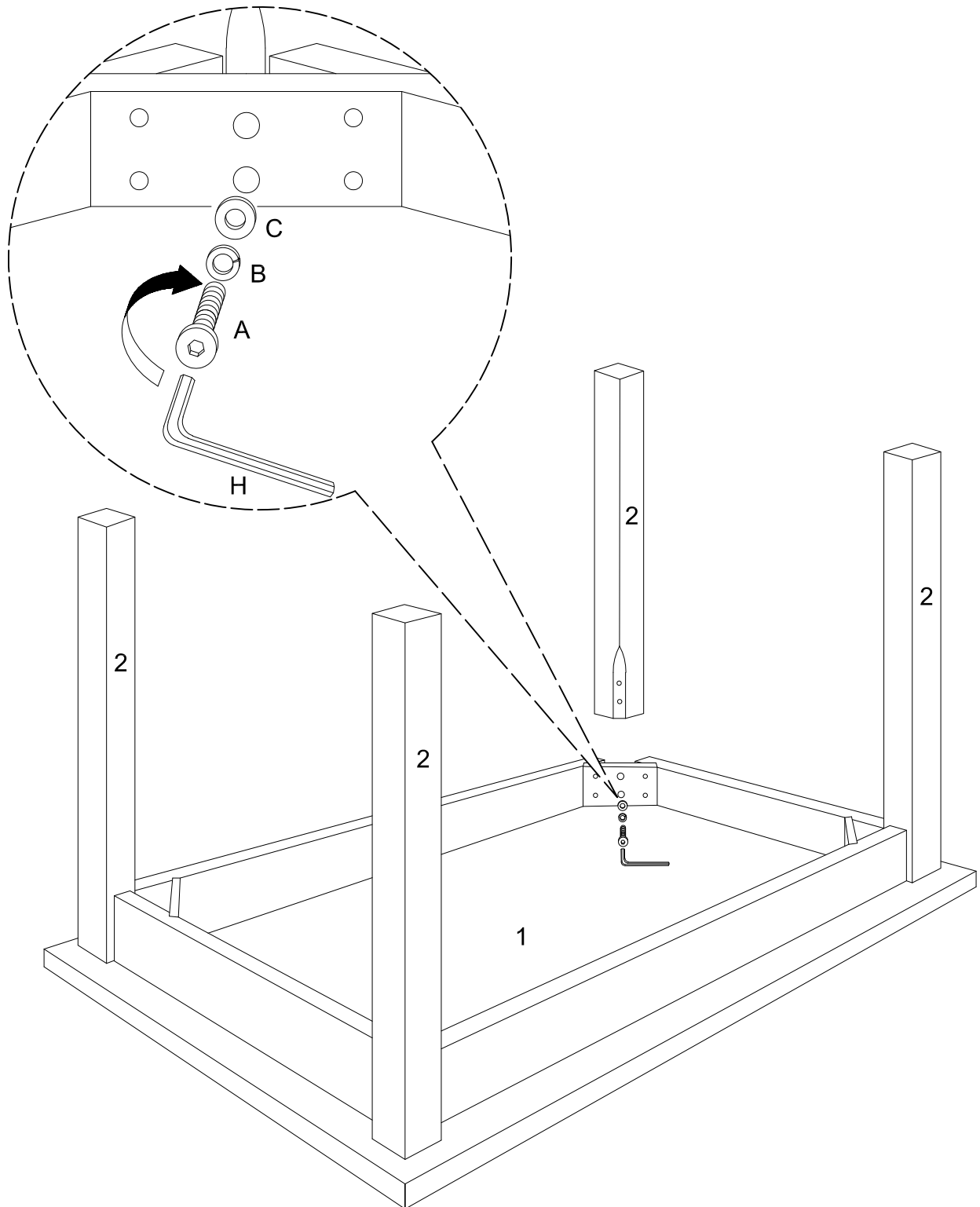
A		M8*60mm	Bolt	8 pcs
B		Ø5/16"	Spring washer	8 pcs
C		Ø5/16"	Flat washer	8 pcs
D		M6*45mm	Bolt	16 pcs
E		15*18mm	Bend washer	16 pcs
F		M4*32mm	Screw	16 pcs
G		M10*35mm	Dowel	16 pcs
H		M5mm	Wrench	1 pc
J		M4mm	Wrench	1 pc



Philips head screwdriver required for assembly  
(not included)

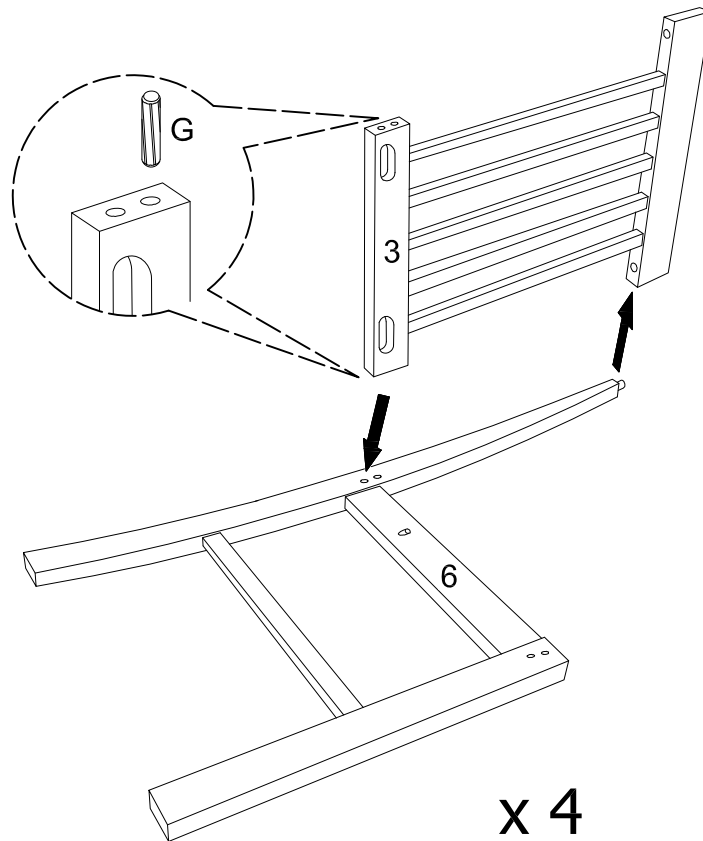
*The hardware quantities listed above are required for proper assembly.  
Some extra hardware may also have been included.*

# Step 1



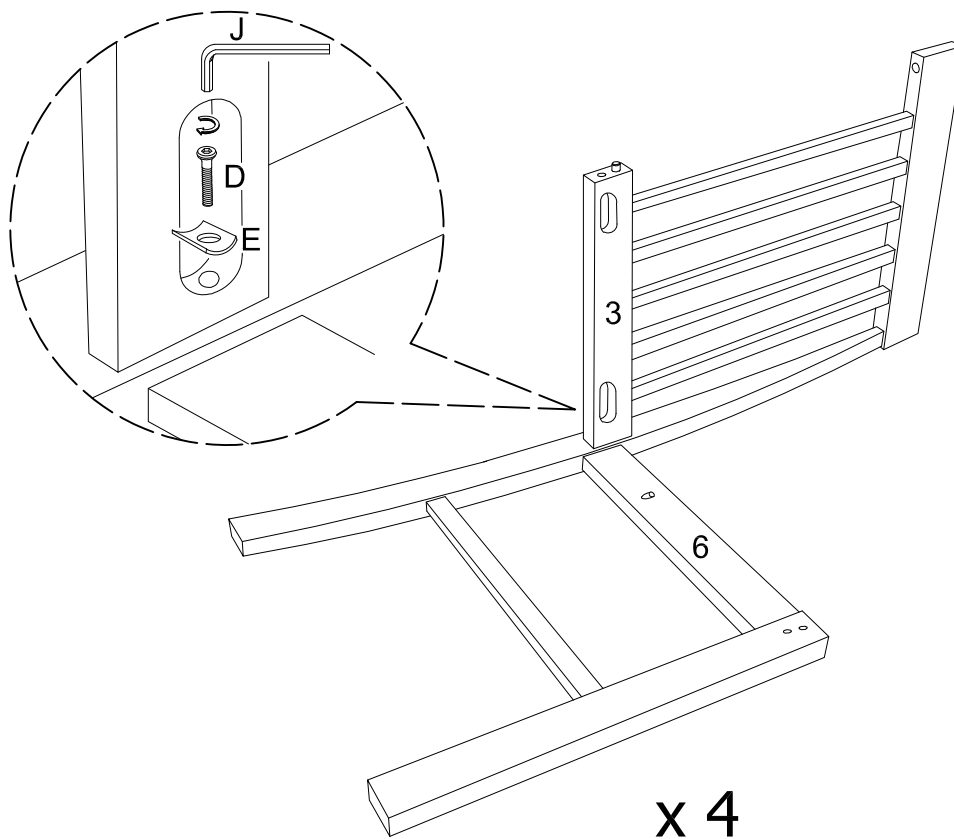
Carefully slide table legs (2) into place and attach to table top (1) using flat washers (C), spring washers (B) and bolts (A). Tighten bolts (A) with wrench (H).

## Step 2



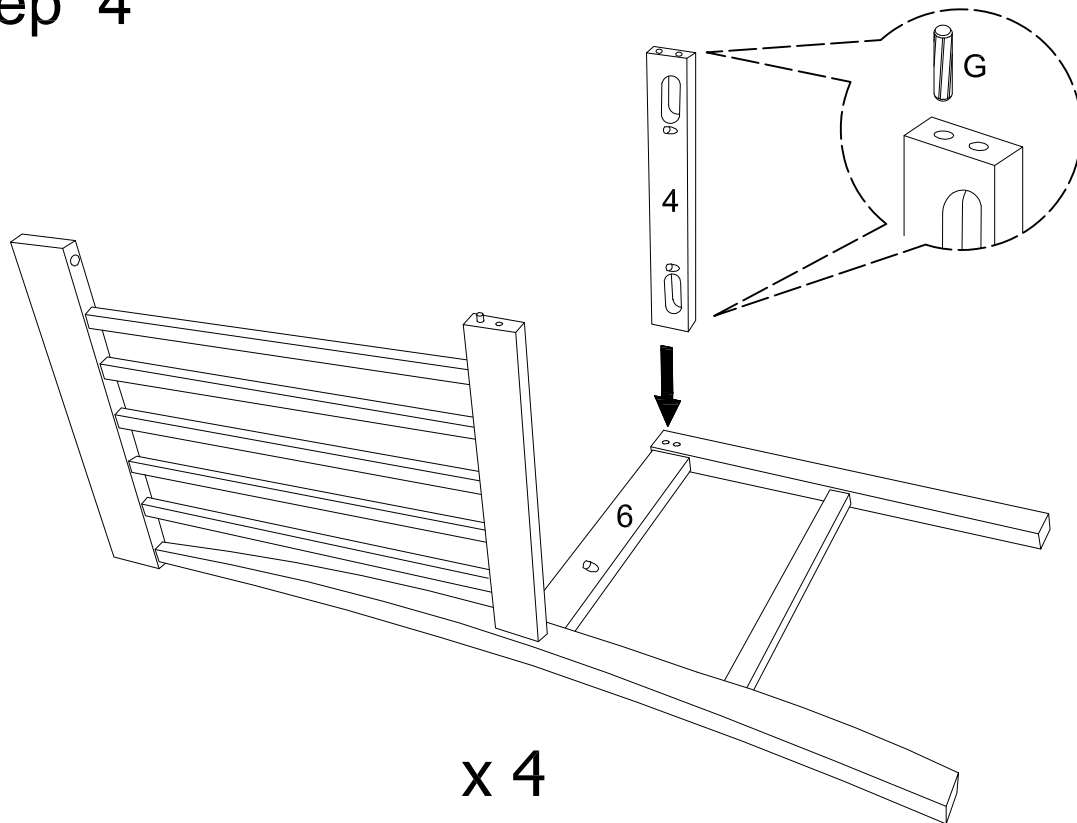
Insert dowels (G) into the dowel holes in chair back (3). Attach chair back (3) to leg (6) using dowels as guides. Repeat this step for all chairs.

## Step 3



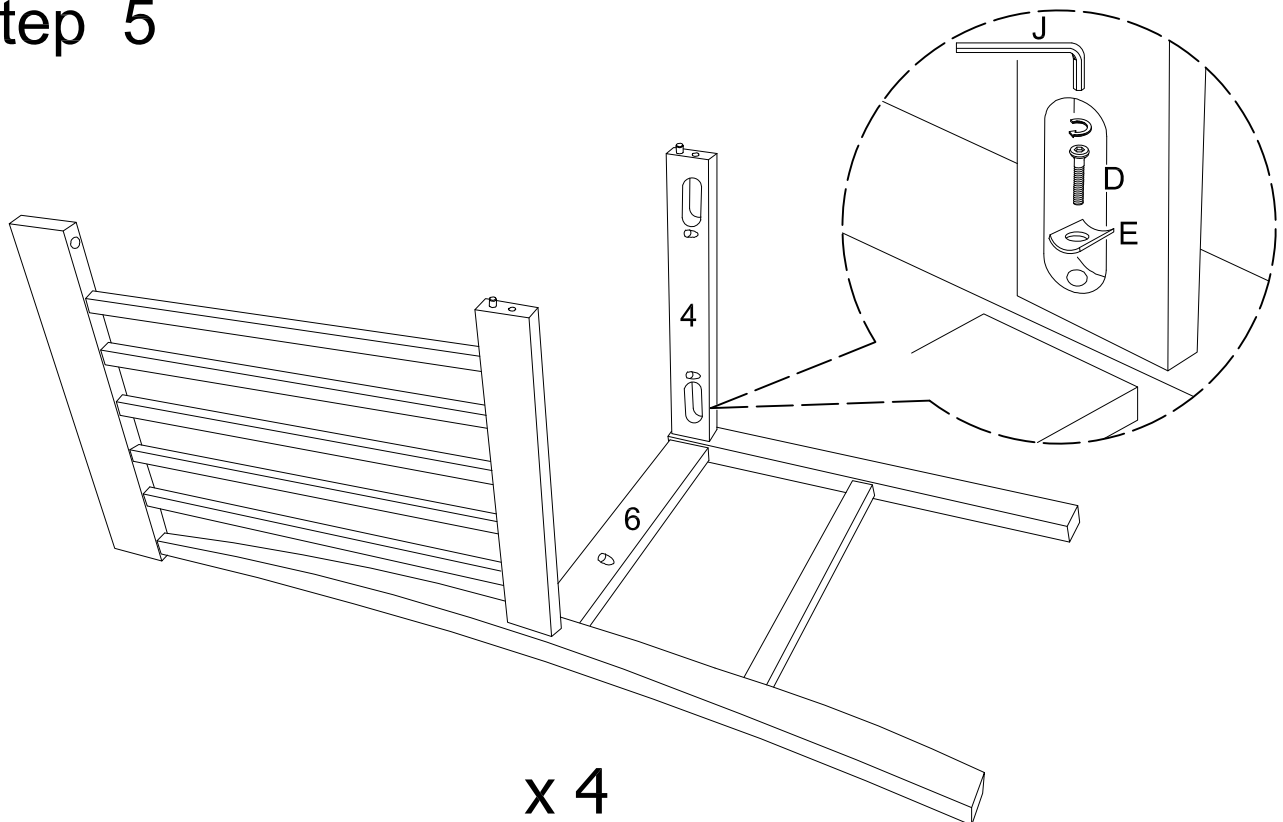
Secure chair back (3) to leg (6) using bolt (D) and bend washer (E). Tighten bolt (D) with wrench (J). Repeat this step for all chairs.

## Step 4



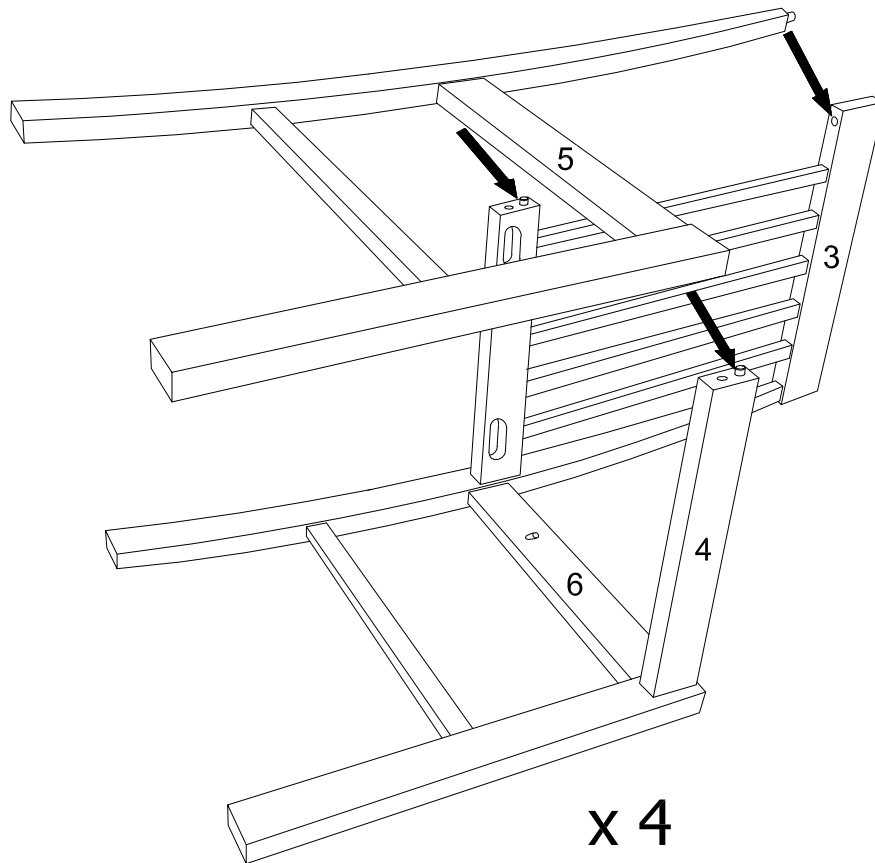
Insert dowels (G) into the dowel holes in slat (4). Insert slat (4) into leg (6) using dowels as guides. Repeat this step for all chairs.

## Step 5



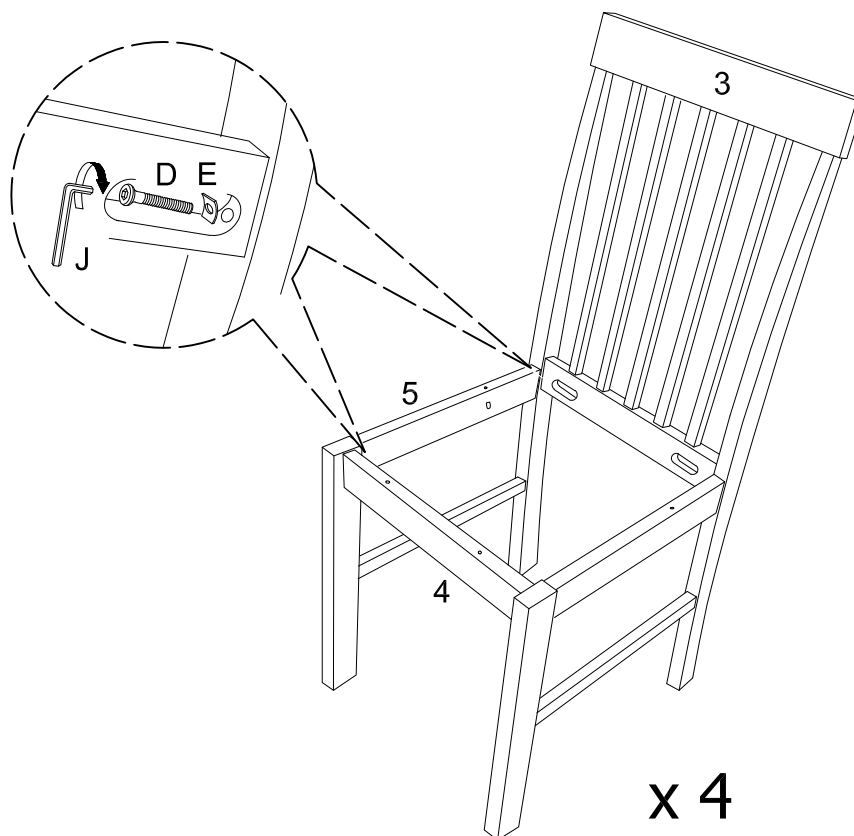
Secure slat (4) to leg (6) using bolt (D) and bend washer (E). Tighten bolt (D) with wrench (J). Repeat this step for all chairs.

## Step 6



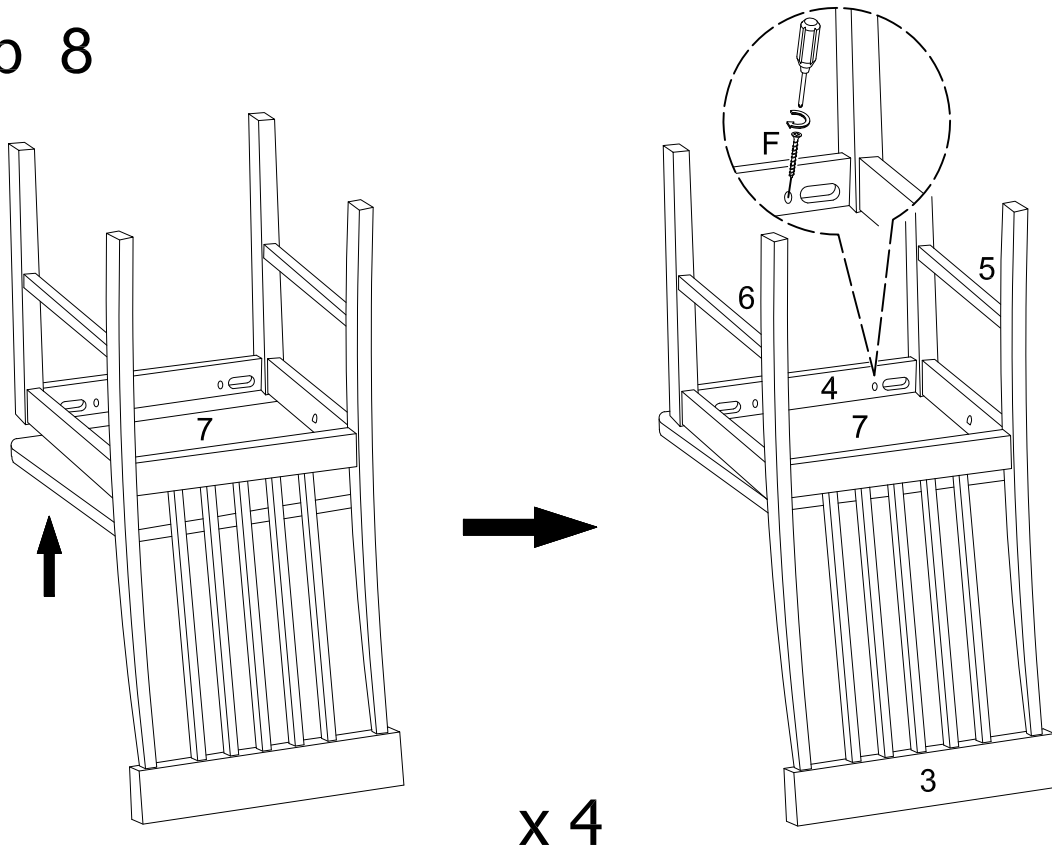
Attach leg (5) to the chair assembly using dowels and slat (4) as guides. Repeat this step for all chairs.

## Step 7



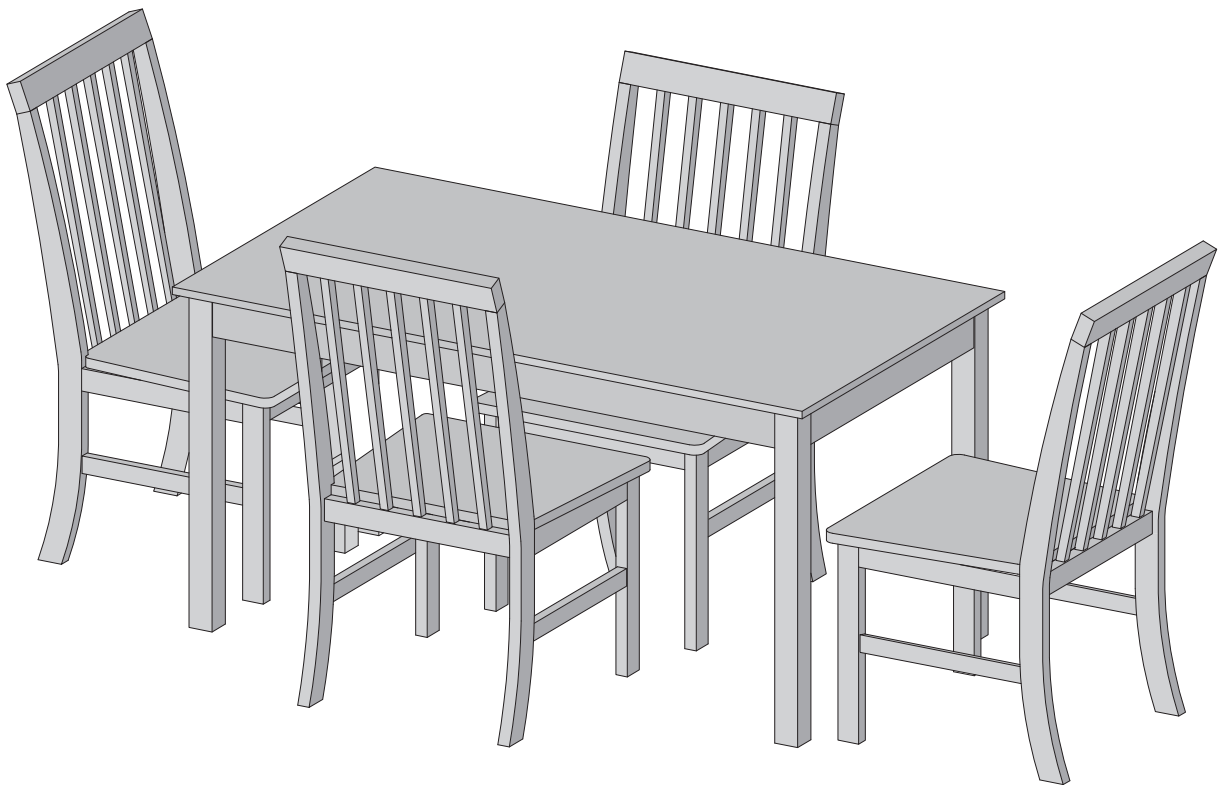
Secure leg (5) to chair back (3) and slat (4) using bolts (D) and bend washer (E). Tighten bolts (D) with wrench (J). Repeat this step for all chairs.

## Step 8



Carefully place chair assembly upside down on a flat surface and place chair seat (7) underneath as shown above. Secure chair seat (7) to the chair assembly using screw (F). Repeat this step for all chairs. \*Note that the pre-drilled holes of chair seat (7) are for manufacturing purposes only. Screws (F) will be screwed directly into the solid wood of chair seat (7) at slat (4) and legs (5,6).

## Step 9



## Final Assembly