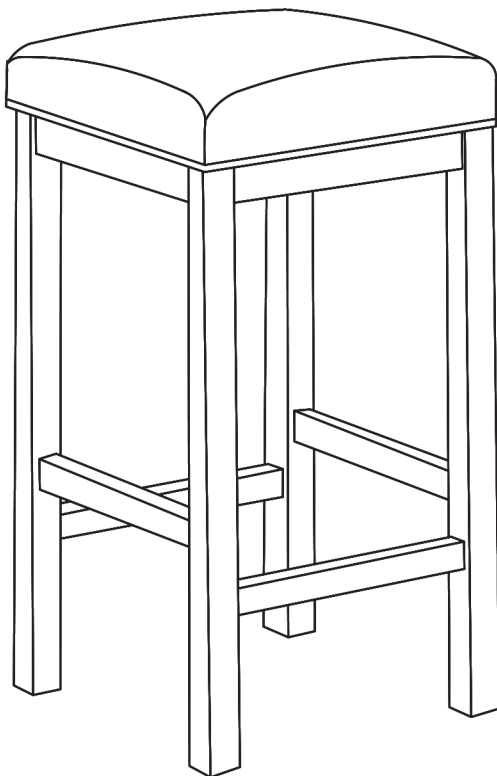


ASSEMBLY INSTRUCTIONS



TOOLS REQUIRED



Allen Wrench

(Included)



Phillips
Screwdriver

(Not Included)



**2 - People
Recommended**

ASSEMBLY RATING



EASY —————> DIFFICULT

The Assembly Rating is a 5-point system showing the level of effort needed to assemble a specific product.



CHECK BEFORE STARTING

Are you missing anything?

Double-check all parts, hardware and accessories listed are all accounted for.

Check out our Quick Tips!

We recommend reviewing the pre-assembly handouts. Even experts need a refresher now and then!

Should we send any replacements?

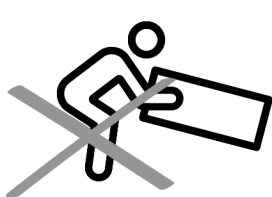
Are there any irregularities or flaws in the parts? We can send replacements!

Prep Time!

Please review the assembly instructions and all diagrams prior to assembling.

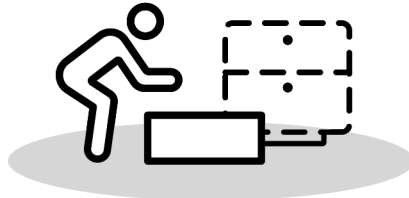
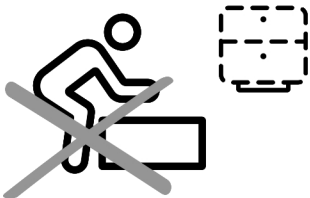
PRE ASSEMBLY INTRODUCTION

We understand building ready-to-assemble furniture can be a challenging experience for some. To help avoid confusion, we have provided some helpful tips that may speed up the process.



Teamwork

ALWAYS have at least two people to help with transporting and assembling the product to avoid potential injury and/or damage.



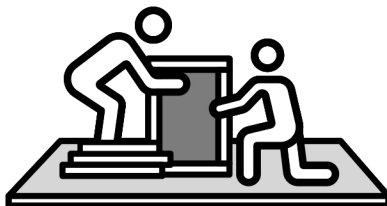
Suitable Location

Assembling near the area of the intended location is highly recommended.



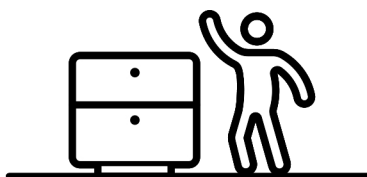
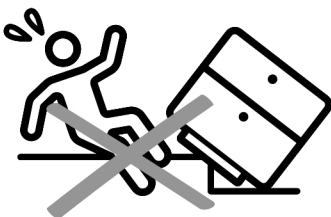
Sufficient Space

Make sure you have enough space to move around during the assembly.



Avoid Scratches

Use cardboard, blankets or a carpeted area while assembling furniture to prevent to prevent scratches and damages.



Flat Surface

Make sure the furniture rests on a flat and level surface with each leg evenly touching the floor.

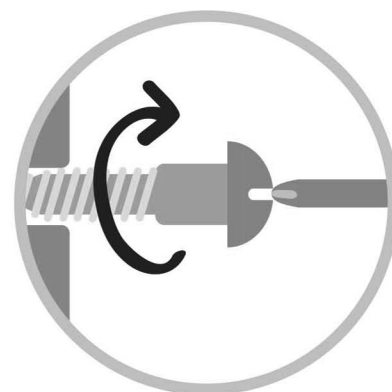
ASSEMBLY AND CARE ADVICE



FAILURE TO FOLLOW THE GUIDELINES BELOW MAY RESULT IN INJURY AND/OR PROPERTY DAMAGE.



Position each part correctly and insert screws or bolts into their respective holes.



Turn clockwise to tighten and only tighten when step is completed or when instructed to do so.



Save the instructions and store any supplied tools for later maintenance.

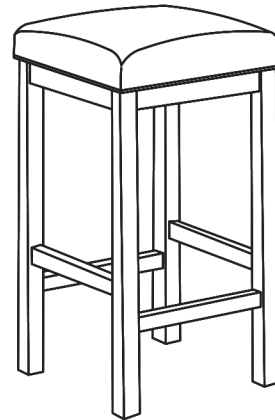
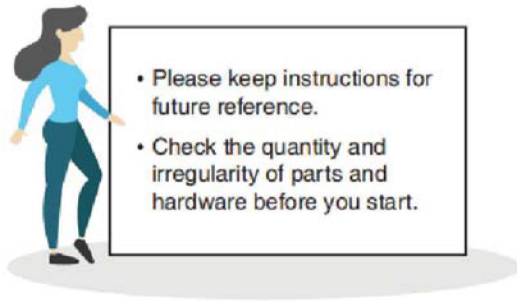
Use the appropriate hand tools or power tools for assembly. Select steps, such as tightening screws and/or bolts, may require hand tools to avoid causing damage during assembly.



After two weeks, check and tighten any loose hardware and repeat again every six months thereafter.

IT IS THE USER'S RESPONSIBILITY TO MAINTAIN THE FURNITURE. THE HARDWARE MAY LOOSEN OVER TIME AND MAY CAUSE THE FURNITURE TO BE WOBBLY AND UNABLE TO SUPPORT ITS INTENDED WEIGHT CAPACITY. THIS MAY LEAD TO COLLAPSE AND MAY CAUSE SERIOUS INJURY.

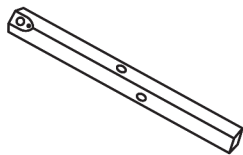
COUNTER HEIGHT STOOL WITH FABRIC UPHOSTERED SEATS



X2

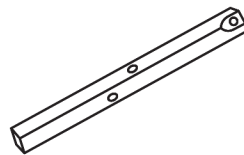
PARTS

#1 2pcs X2



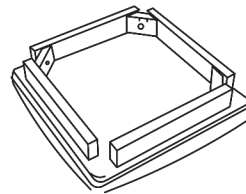
Leg 1

#2 2pcs X2



Leg 2

#3 1pc X2



Cushion Seat

#4 4pcs X2



Stretcher

HARDWARE

#A 4pcs X2



M6 x 45MM Bolt

#B 4pcs X2



M6 x 13MM
Spring Washer

#C 4pcs X2



M6 x 19MM
Flat Washer

#D 8pcs X2



M4 x 38MM
Pan Head Screw

#E 1pc



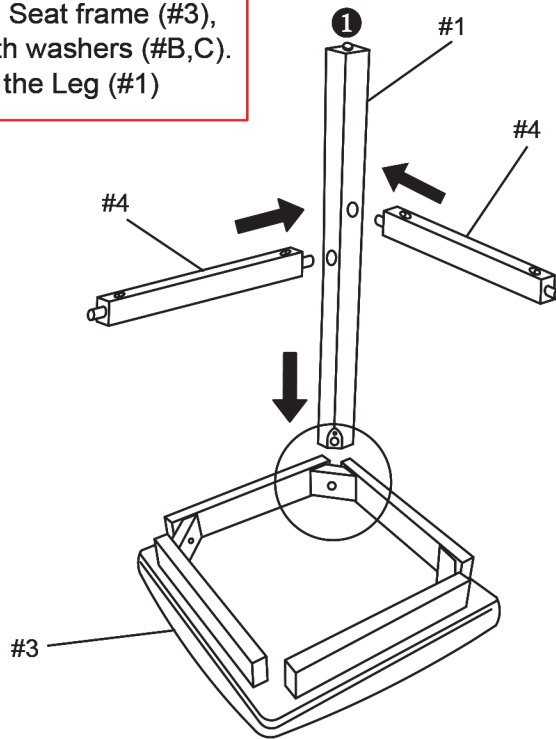
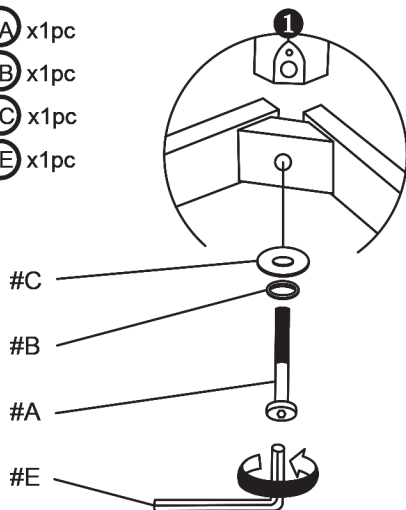
M4 X 60MM
Allen Wrech

ASSEMBLY INSTRUCTIONS

1

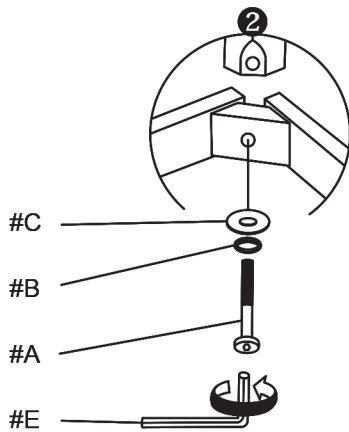
Align the Leg (#1) to Cushion Seat frame (#3), secure by using bolts (#A) with washers (#B,C). Affix Side Stretcher (#4) onto the Leg (#1)

- Part #1 x1pc
- Part #3 x1pc
- Part #4 x2pcs
- Hardware #A x1pc
- Hardware #B x1pc
- Hardware #C x1pc
- Hardware #E x1pc

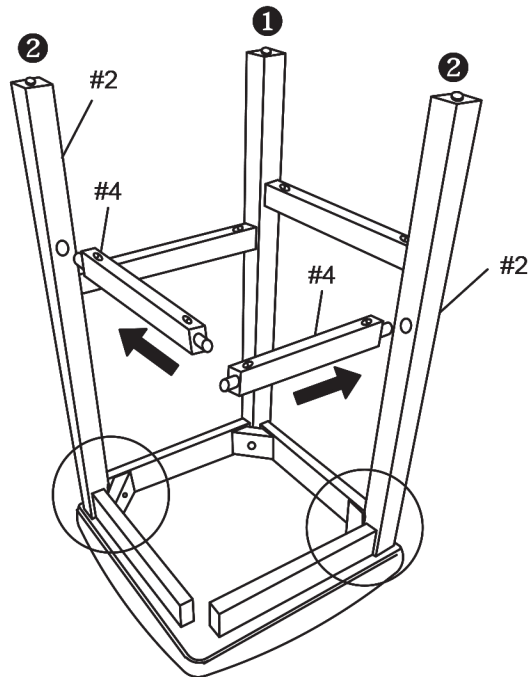


2

- Part #2 x2pcs
- Part #4 x2pcs
- Hardware #A x2pcs
- Hardware #B x2pcs
- Hardware #C x2pcs
- Hardware #E x1pc



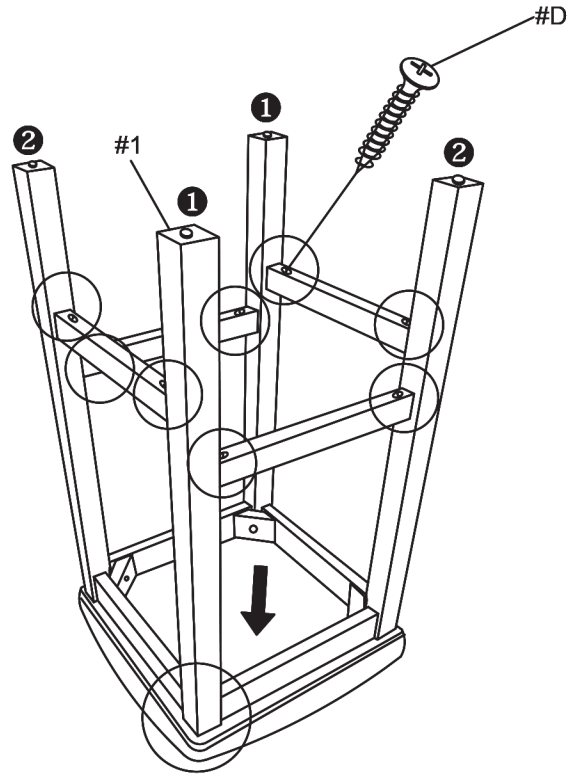
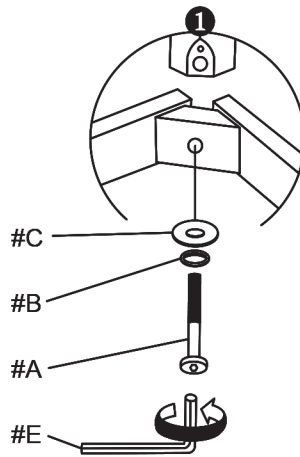
Align the Leg (#2) to the Side Stretcher (#4), secure by using bolts (#A) with washers (#B,C). Affix Side Stretcher (#4) to the Leg (#2).



ASSEMBLY INSTRUCTIONS

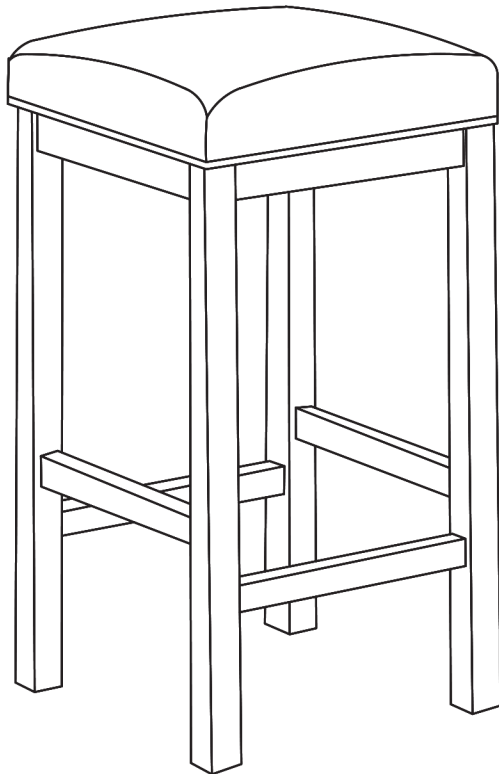
3

- Part #1 x1pc
- Hardware #A x1pc
- Hardware #B x1pc
- Hardware #C x1pc
- Hardware #D x8pcs
- Hardware #E x1pc



Align the Leg (#1) to the Side Stretcher (#4), secure by using bolts (#A) with washers (#B,C). Secure all Side Stretcher (#4) by using Pan Head Screw (#D).

4



ASSEMBLY COMPLETED



Please ensure the furniture rests on an even and flat surface. If the product wobbles or feels loose, double-check all bolts and/or screws are properly tightened and secured.



Keep this handy!

Please retain this instruction manual and any order-related information for future reference.



Lift, don't drag!

To avoid damage to product please always LIFT the product when transporting or adjusting the placement.

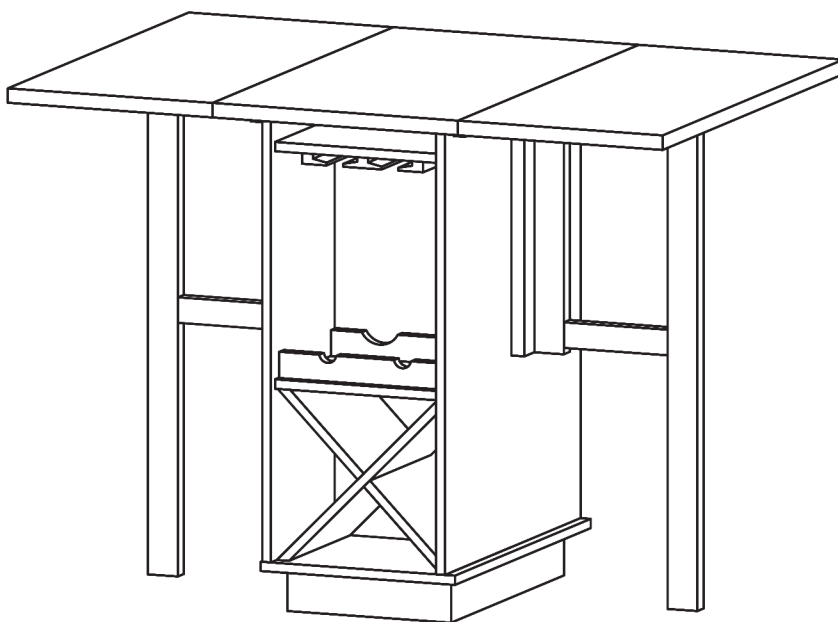
ASSEMBLY INSTRUCTIONS

TOOLS REQUIRED



Allen Wrench

(Included)



**2 - People
Recommended**

ASSEMBLY RATING



EASY —————> DIFFICULT

The Assembly Rating is a 5-point system showing the level of effort needed to assemble a specific product.



CHECK BEFORE STARTING

Are you missing anything?

Double-check all parts, hardware and accessories listed are all accounted for.

Check out our Quick Tips!

We recommend reviewing the pre-assembly handouts. Even experts need a refresher now and then!

Should we send any replacements?

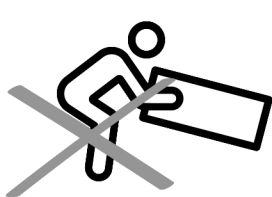
Are there any irregularities or flaws in the parts? We can send replacements!

Prep Time!

Please review the assembly instructions and all diagrams prior to assembling.

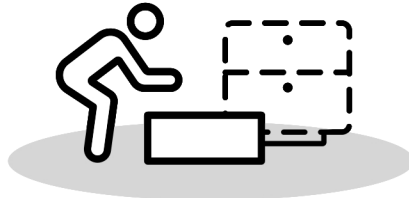
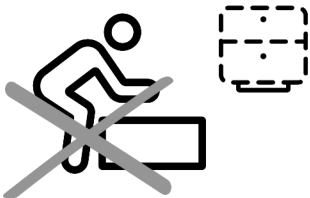
PRE ASSEMBLY INTRODUCTION

We understand building ready-to-assemble furniture can be a challenging experience for some. To help avoid confusion, we have provided some helpful tips that may speed up the process.



Teamwork

ALWAYS have at least two people to help with transporting and assembling the product to avoid potential injury and/or damage.



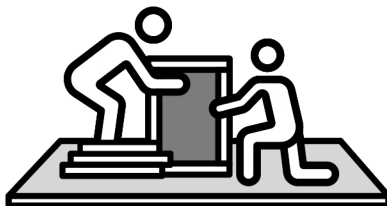
Suitable Location

Assembling near the area of the intended location is highly recommended.



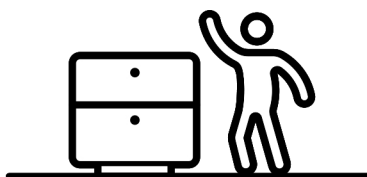
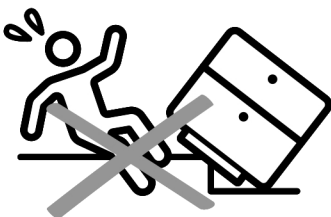
Sufficient Space

Make sure you have enough space to move around during the assembly.



Avoid Scratches

Use cardboard, blankets or a carpeted area while assembling furniture to prevent to prevent scratches and damages.



Flat Surface

Make sure the furniture rests on a flat and level surface with each leg evenly touching the floor.

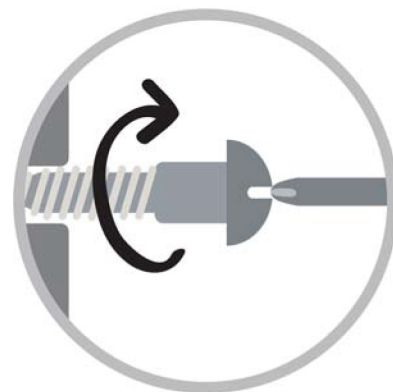
ASSEMBLY AND CARE ADVICE



FAILURE TO FOLLOW THE GUIDELINES BELOW MAY RESULT IN INJURY AND/OR PROPERTY DAMAGE.



Position each part correctly and insert screws or bolts into their respective holes.



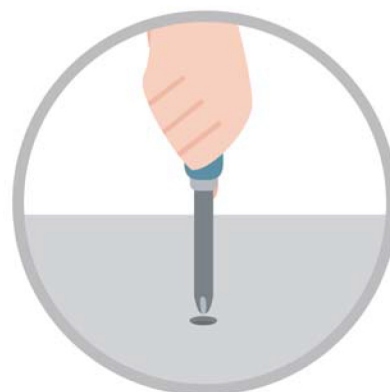
Turn clockwise to tighten and only tighten when step is completed or when instructed to do so.



Use the appropriate hand tools or power tools for assembly. Select steps, such as tightening screws and/or bolts, may require hand tools to avoid causing damage during assembly.



Save the instructions and store any supplied tools for later maintenance.



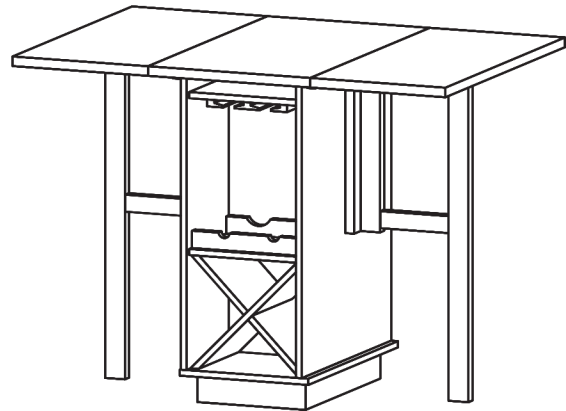
After two weeks, check and tighten any loose hardware and repeat again every six months thereafter.

IT IS THE USER'S RESPONSIBILITY TO MAINTAIN THE FURNITURE. THE HARDWARE MAY LOOSEN OVER TIME AND MAY CAUSE THE FURNITURE TO BE WOBBLY AND UNABLE TO SUPPORT ITS INTENDED WEIGHT CAPACITY. THIS MAY LEAD TO COLLAPSE AND MAY CAUSE SERIOUS INJURY.

COUNTER HEIGHT TABLE WITH 2x 15" DROP LEAF



- Please keep instructions for future reference.
- Check the quantity and irregularity of parts and hardware before you start.



PARTS

#1 1pc

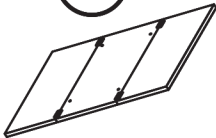


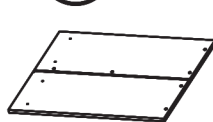
Table Top

#2 1pc



Center Panel

#3 2pcs



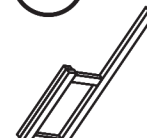
Side Panel

#4 1pc



Base

#5 2pcs



Leg support

#6 4pcs



Wine Rack Insert

#7 2pcs



Glass Holder Panel

#8 2pcs



Wine Rack Panel

#9 2pcs



Center Glass Holder

#10 4pcs



Side Glass Holder

#11 2pcs



Rear Wine Rack

#12 2pcs



Front Wine Rack

HARDWARE

#A 28pcs



M6 x 35MM Bolt

#B 8pcs



M6 x 45MM Bolt

#C 36pcs



M6 x 13MM Spring Washer

#D 36pcs



M6 x 19MM Flat Washer

#E 4pcs



M8 x 30MM Wood Dowel

#F 8pcs



Barrel Nut

#G 8pcs



Shelf Support Peg

#H 2pcs



M6 Adjuster Leg Leveler

#I 1pc

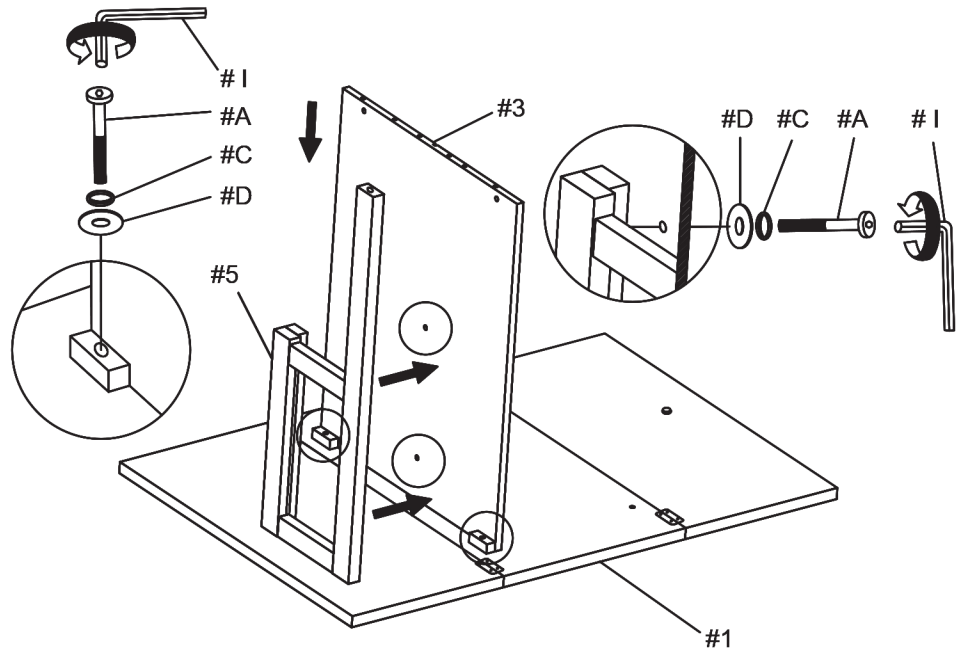


M4 x 110MM Allen Wrench

ASSEMBLY INSTRUCTIONS

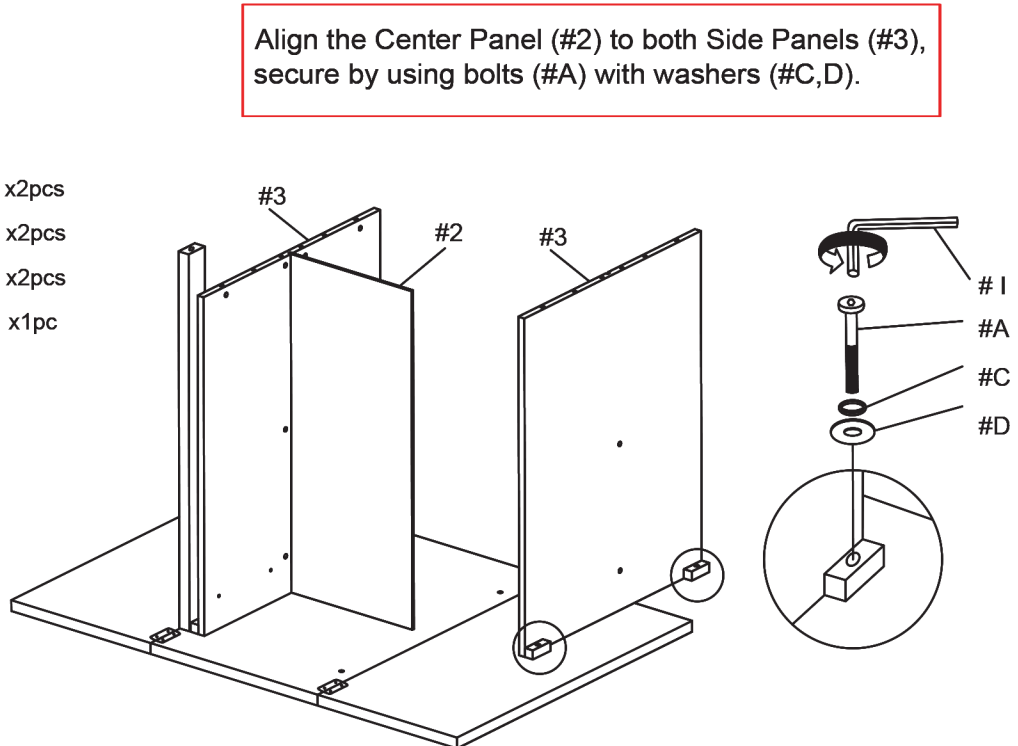
1

- Part #1 x1pc
- Part #3 x1pc
- Part #5 x1pc
- Hardware #A x4pcs
- Hardware #C x4pcs
- Hardware #D x4pcs
- Hardware #I x1pc



2

- Part #2 x1pc
- Part #3 x1pc
- Hardware #A x2pcs
- Hardware #C x2pcs
- Hardware #D x2pcs
- Hardware #I x1pc

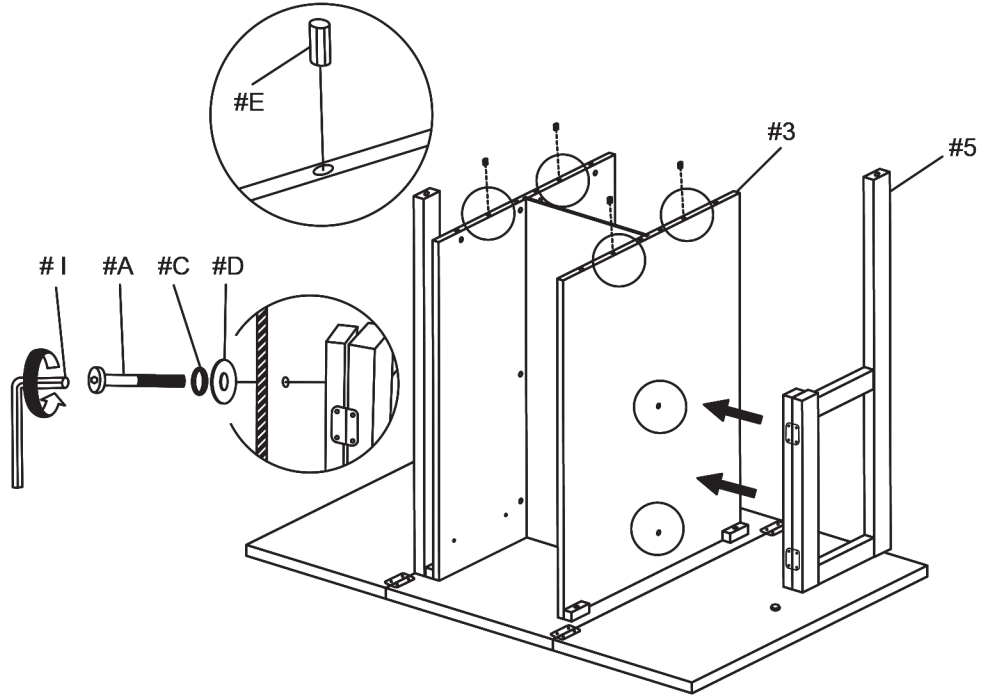


ASSEMBLY INSTRUCTIONS

3

Align the Leg Support (#5) to the Side Panel (#3), secure by using bolts (#A) with washers (#C,D). Insert Dowel (#E) to the Side Panel (#3).

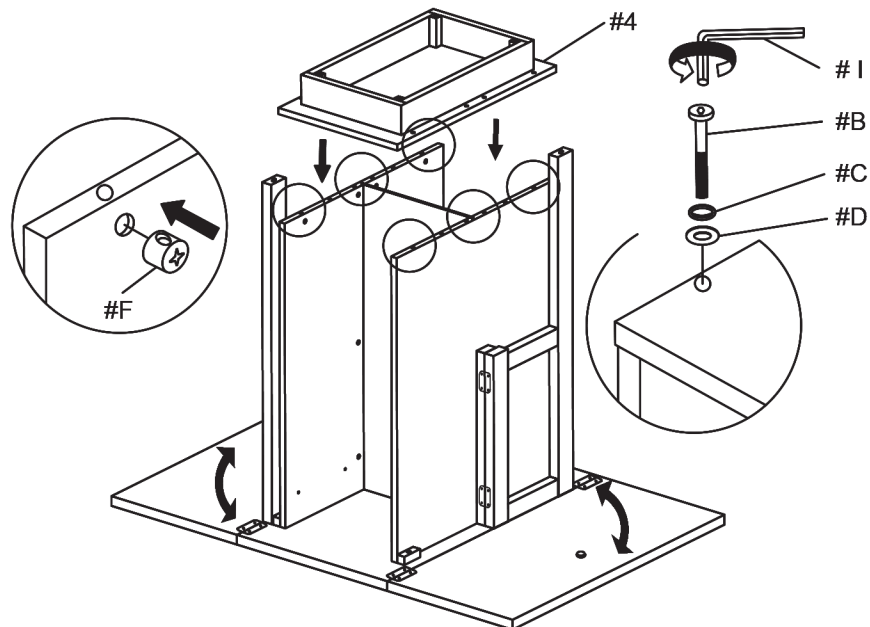
- Part #5 x1pc
- Hardware #A x2pcs
- Hardware #C x2pcs
- Hardware #D x2pcs
- Hardware #E x4pcs
- Hardware #I x1pc



4

Align the Base (#4) to the panels, then secure by using bolts (#B) with washers (#C,D) onto barrel nuts (#F).

- Part #4 x1pc
- Hardware #B x8pcs
- Hardware #C x8pcs
- Hardware #D x8pcs
- Hardware #F x8pcs
- Hardware #I x1pc

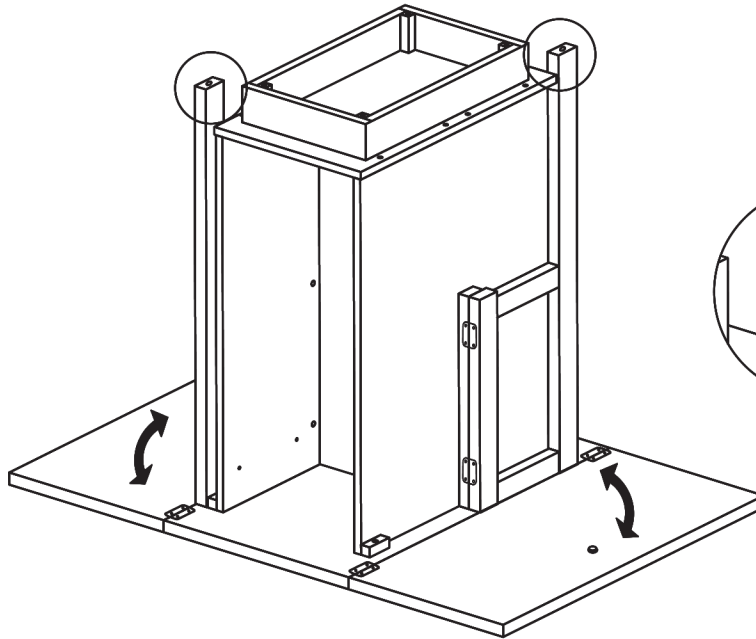


ASSEMBLY INSTRUCTIONS

5

Hardware **#H** x2pcs

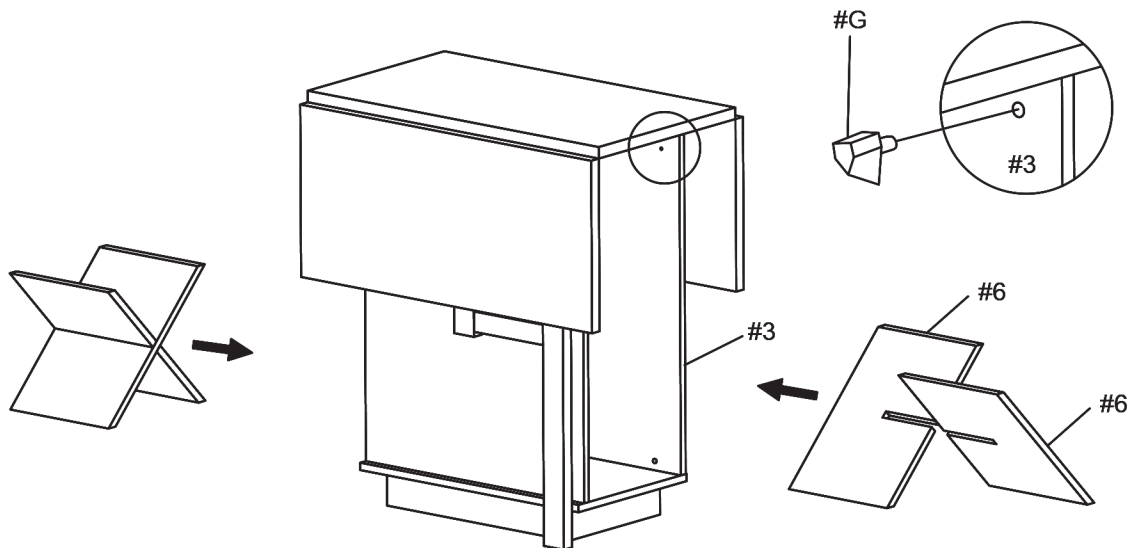
Insert Leg Leveler (**#H**) onto each Leg Support (**#5**)



6

Part **#6** x4pcs
Hardware **#G** x8pcs

Insert the Shelf Support Peg (**#G**) into Side Panel (**#3**). Affix both Wine Rack Insert (**#6**) into the panels.

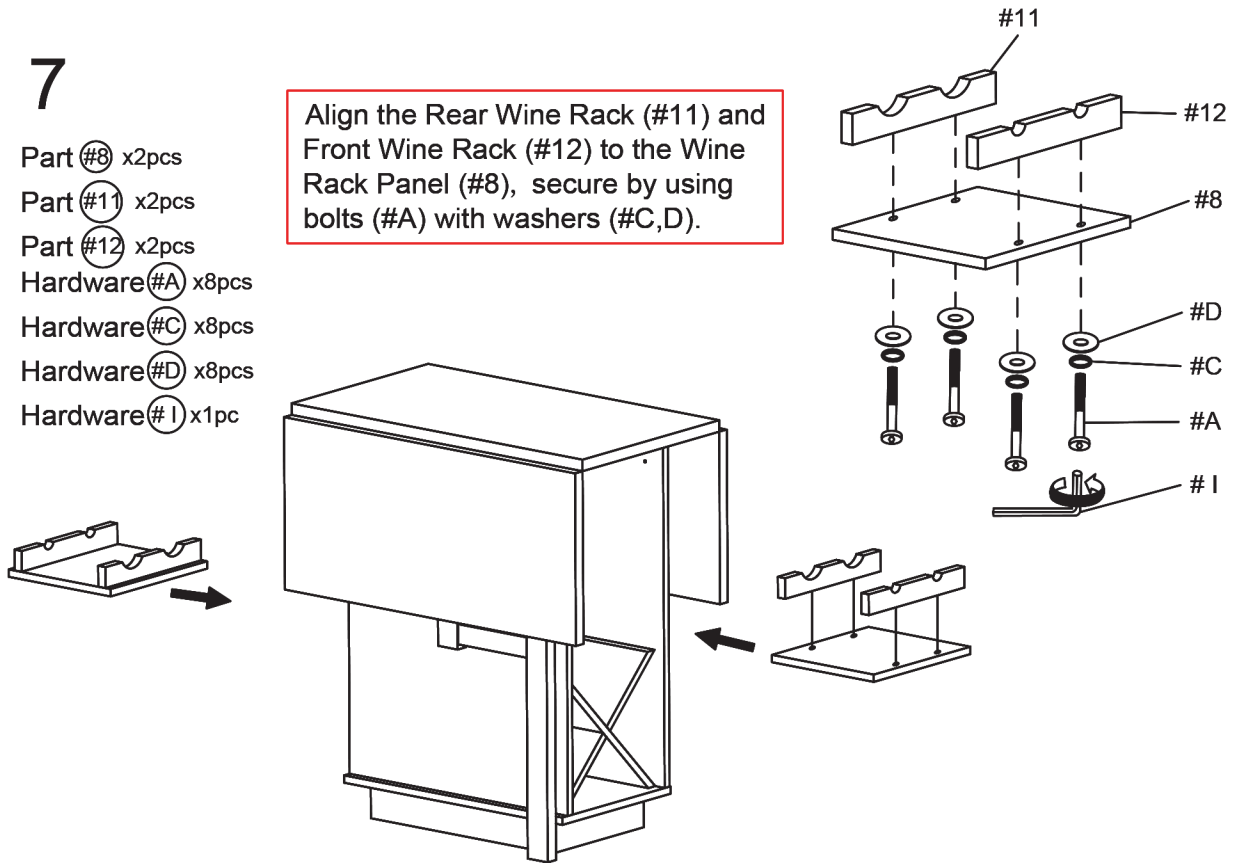


ASSEMBLY INSTRUCTIONS

7

- Part #8 x2pcs
- Part #11 x2pcs
- Part #12 x2pcs
- Hardware #A x8pcs
- Hardware #C x8pcs
- Hardware #D x8pcs
- Hardware #I x1pc

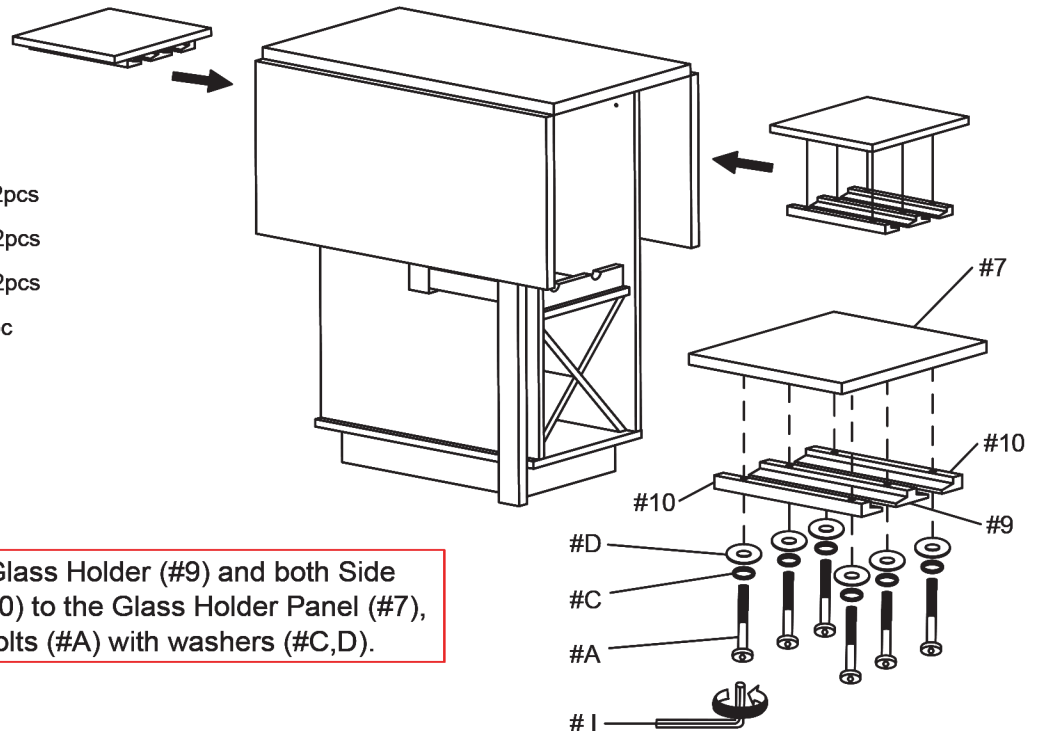
Align the Rear Wine Rack (#11) and Front Wine Rack (#12) to the Wine Rack Panel (#8), secure by using bolts (#A) with washers (#C,D).



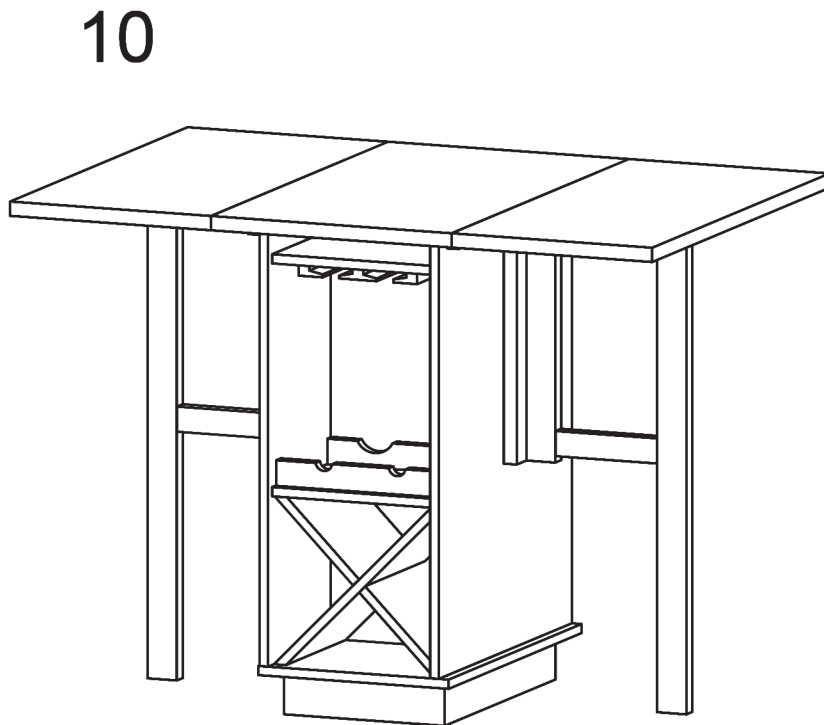
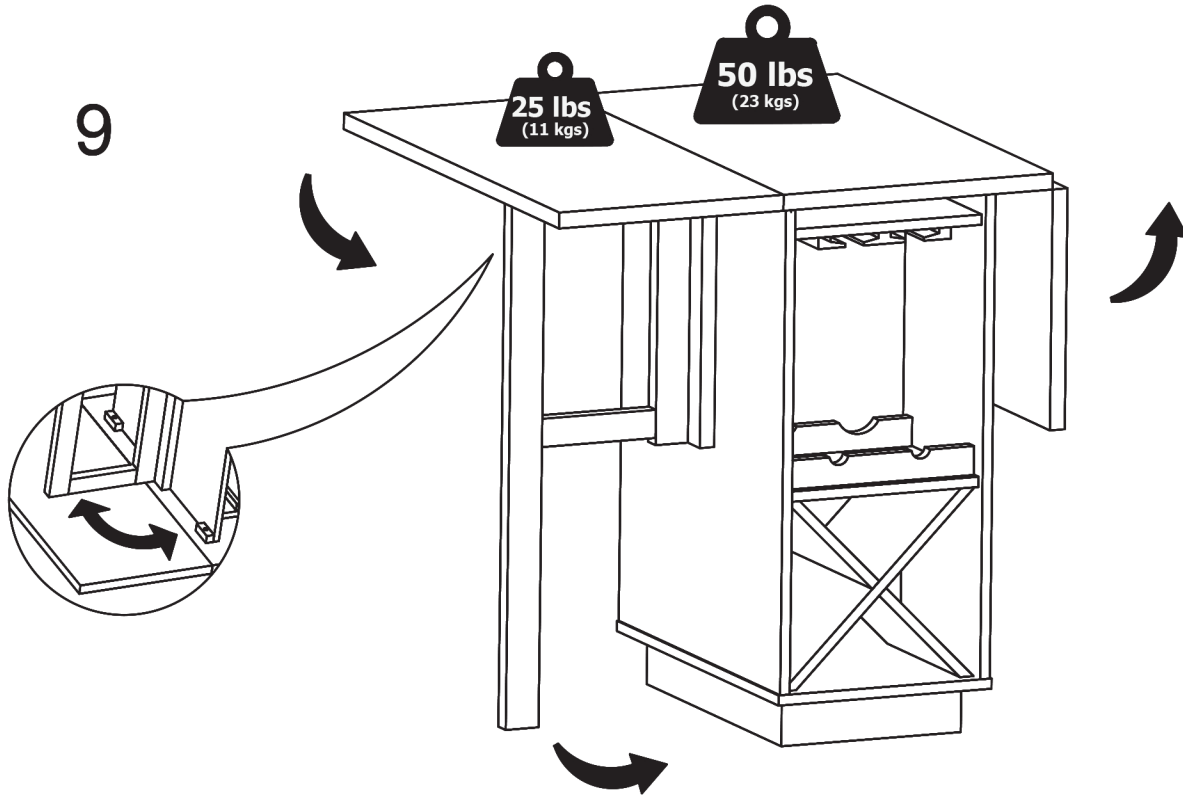
8

- Part #7 x2pcs
- Part #9 x2pcs
- Part #10 x4pcs
- Hardware #A x12pcs
- Hardware #C x12pcs
- Hardware #D x12pcs
- Hardware #I x1pc

Align the Center Glass Holder (#9) and both Side Glass Holders (#10) to the Glass Holder Panel (#7), secure by using bolts (#A) with washers (#C,D).



ASSEMBLY INSTRUCTIONS



ASSEMBLY COMPLETED



Please ensure the furniture rests on an even and flat surface. If the product wobbles or feels loose, double-check all bolts and/or screws are properly tightened and secured.



Keep this handy!

Please retain this instruction manual and any order-related information for future reference.



Lift, don't drag!

To avoid damage to product please always LIFT the product when transporting or adjusting the placement.