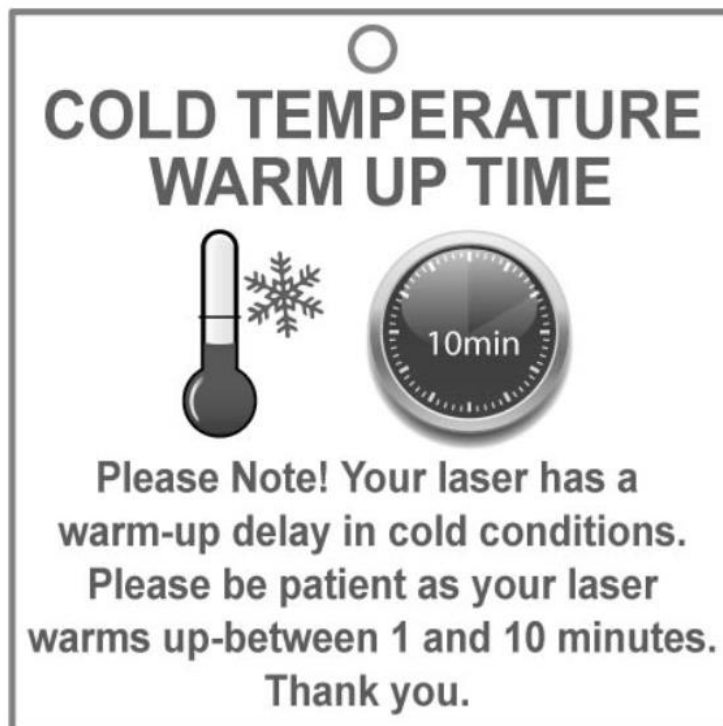


Mr. Christmas.

INSTRUCTION MANUAL

MUSICAL LASER LIGHT SHOW™



WARNINGS

MR. CHRISTMAS INC.
MODEL : MUSICAL LASER LIGHT SHOW
MODEL NO. : 60564
RATING : AC120V~ 60HZ 20W



- When using this MUSICAL LASER LIGHT SHOW™, basic safety precautions should always be followed to reduce the risk of fire, electric shock, and personal injury.
- Follow the instructions on the DANGER label on the MUSICAL LASER LIGHT SHOW™.
- The MUSICAL LASER LIGHT SHOW™ uses a laser light beam. Only a qualified service person should remove the cover or attempt to service this device, due to possible eye injury.
- Never point the MUSICAL LASER LIGHT SHOW™ beam at anyone.
- Never look directly into the MUSICAL LASER LIGHT SHOW™ beam.
- Keep the MUSICAL LASER LIGHT SHOW™ away from children.

SAFETY INSTRUCTIONS

READ AND FOLLOW ALL SAFETY INSTRUCTIONS.

WARNING: THIS IS NOT A TOY! THIS PRODUCT CONTAINS SMALL PARTS WHICH COULD CAUSE CHOKING IF SWALLOWED.

DO NOT REMOVE COVER. NO USER SERVICEABLE PARTS INSIDE. IF SERVICING IS NEEDED, SEND TO QUALIFIED SERVICE PERSONNEL. PLEASE ADHERE TO THE FOLLOWING:

- A. Read Instructions** - All safety and operating instructions should be read before the item is operated. Please adhere to the instructions and warnings for your safety.
- B. Heat** - The item should be situated away from heat sources such as radiators, hairdryers, heat registers, stoves or other appliances that produce heat.
- C.** Do not let lamps rest on the supply cord or on any wire.
- D. Power Sources** - The item should be connected to a power supply only like the one that is provided with the item.
 - 1) Do not secure the wiring of the product with staples or nails, or place on sharp hooks or nails.
 - 2) Do not hang ornaments or other objects from cord.
 - 3) Do not close doors or windows on the product or product cords as this may damage the wire insulation.
 - 4) Unplug the product when leaving the house, retiring at night or if left unattended.
- E. Damage Requiring Service** – Refer all servicing to a qualified service personnel. Have a qualified service personnel service this item when:
 - 1) The power-supply cord or plug has been damaged.
 - 2) Objects have fallen.
 - 3) All troubleshooting techniques have been tried and the item will not work or has stopped working.
 - 4) The item has been dropped or the enclosure damaged.
- F.** This product is intended for seasonal use throughout the year. It is not intended for permanent installation or use.
- G.** To avoid risk of fire, burns, personal injury and electrical shock this item should not be played with or placed where small children can reach it.
- H.** Do not use this product for other than its intended use.
- I.** Do not cover the product with cloth, paper or any material not part of the product when in use.

SAVE THESE INSTRUCTIONS.

TABLE OF CONTENTS

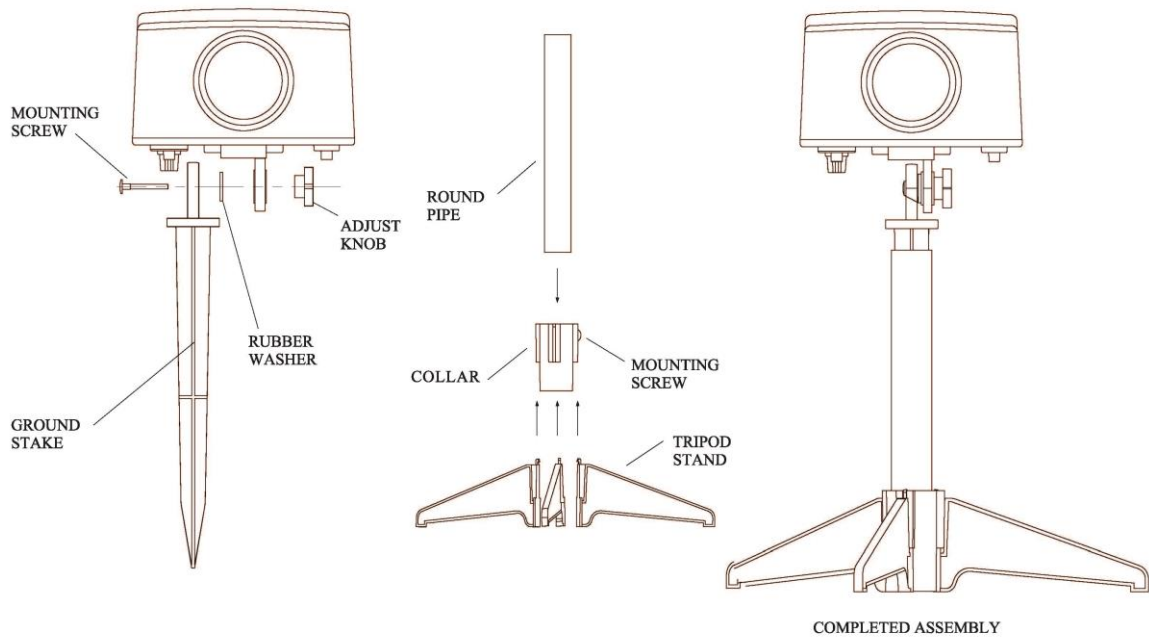
1. DESCRIPTION	1
2. INSTALLATION	1
3. OPERATION	3
4. CARE INSTRUCTIONS	3
5. SONG LIST	3
6. RATINGS	4
7. TROUBLESHOOTING	5

I. DESCRIPTION

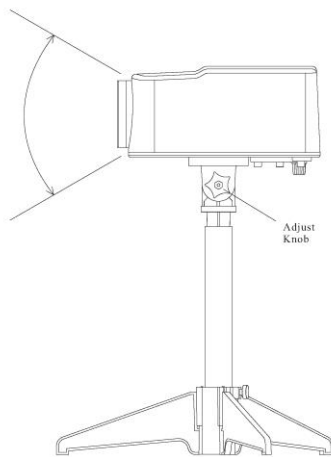
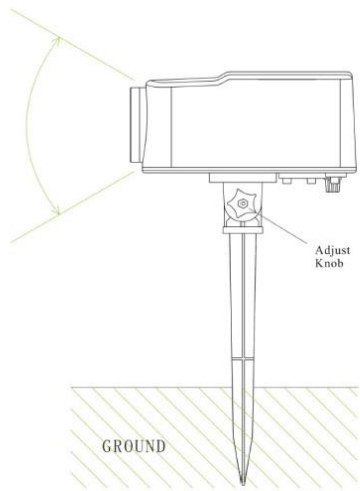
Thank you for purchasing the **Musical Laser Light Show™**. This product features innovative new technology for seasonal decorating: an advanced laser light plays to the music of 12 Christmas Carols and 3 other festive holiday songs for New Year's Eve, Halloween and Birthday celebrations. The unit is designed for outdoor use. Your Musical Laser Light Show will impress the whole neighborhood!

II. INSTALLATION

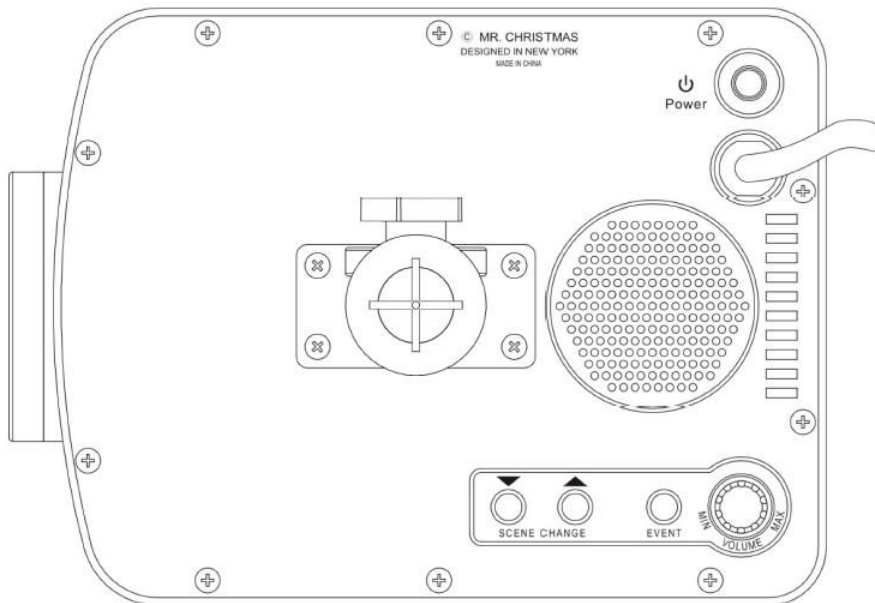
1. Gently remove the unit from the packaging.
2. Secure the unit on the included stake according to the following diagram:



3. Push the stake to the ground, and ensure the unit is stable.
4. Adjust the angle and height of the unit to a desired projecting position by loosening, adjusting the unit and securing the adjusting knob. (See figure on following page.)
5. A tripod stand is included to display the unit on a hard, flat surface. See figures above and the following page for assembly and display instructions.



III. OPERATION



1. Adjust the positioning of the unit on the stake or stand so that the show is aimed at your desired projection surface.
2. Once the unit is plugged in, turn the POWER switch to the ON position.
3. When the POWER switch is in the ON position, the unit will begin automatically and play continuously for 6 hours, then turn OFF automatically. The unit will resume playing 18 hours later automatically, turning ON 6 hours and repeating the cycles.
4. Use the VOLUME dial to adjust the volume of the music.
5. Use the SCENE CHANGE buttons to move among the Christmas carols.
6. Press the EVENT button to switch from Christmas to a different holiday: New Year's Eve, Halloween, and Birthday.

IV. CARE INSTRUCTIONS

1. Before using or reusing, inspect product carefully. Discard any products that have cut, damaged or frayed wire insulation cords, cracks in enclosure, loose connections or exposed wire.
2. When storing the product, carefully remove the product from the current location, including trees, branches or bushes, to avoid any undue strain or stress on the conductors, connections and wires.
3. When not in use, store neatly in a cool, dry location protected from sunlight and heat.
4. If necessary, clean product by wiping with a soft, dry cloth.

V. SONG LIST

1. Jingle Bells
2. O Christmas Tree
3. We Wish You A Merry Christmas
4. Jolly Old St Nicholas
5. God Rest Ye Merry Gentlemen
6. Dance Of The Sugar Plum Fairy

7. Here We Come A-Caroling
8. O Little Town of Bethlehem
9. Hark! The Herald Angels Sing
10. Deck The Halls
11. Joy To The World
12. Here Comes Santa Claus
13. Halloween Collage
14. Auld Lang Syne
15. Happy Birthday To You

VI. RATINGS

Electrical Rating:

AC 120V ~ 60Hz, 20 Watts Max.

Laser Output Rating:

Wavelength - 532nm (#60564), Output Power < 5mW

Normal operation temperature from -25°C to 35°C or -13°F to 95°F

This product has a built-in over heat protection device to protect the Laser diode from damaging. The Laser will automatically cut off while it is over heated and automatically turn on after 15-30 minutes of self cooling.

VII. TROUBLESHOOTING

Problem	Likely Cause	Solution
No laser image	No power	Make sure the main power cord is plugged into a working outlet
	Unit needs to be reset	Turn main power OFF, then ON
	Projection surface is too dark or there is too much ambient light	Effect is best achieved at night on a light projection surface
	Laser is aimed incorrectly	Re-adjust the unit so that it faces the projection surface
	Cold conditions	Please allow the unit to warm up between 1 - 10 minutes
Unit is tilting downward without user interaction	Unit is loose on ground stake or stand	Adjust the unit to desired position and tighten the adjust knob to secure

ACTUAL PRODUCT MAY VARY SLIGHTLY FROM PHOTOGRAPHS / DRAWINGS IN THE INSTRUCTION MANUAL

20160707 (v.3)

MUSICAL LASER LIGHT SHOW™

© Mr. Christmas Inc.
5841 East Shelby Drive
Memphis, TN 38141
Phone: 1-800-467-9627

Made in China

Mr. Christmas Ltd. / Mr. Christmas Inc.

<http://www.mrchristmas.com>