



Delta Shower Door Measurement Guide

Before you customize your dream door, you need to make sure you have the correct measurements:

Identify Vertical and Horizontal Openings with Threshold Depth

Height (A), Widths (B), and Depth (C). Widths (B) measurements are often not the same so doors can be adjusted up to 3/8"

A) Vertical Opening

Measure from the top of the shower or bathtub threshold up to the top of the acrylic (or tile) surround wall

B) Horizontal Opening

Measure width of opening at the top and the bottom of the enclosure.

C) Threshold/Sill

Measure the depth from front to back (edge to edge) of the shower or bathtub threshold.

Available Sizes:

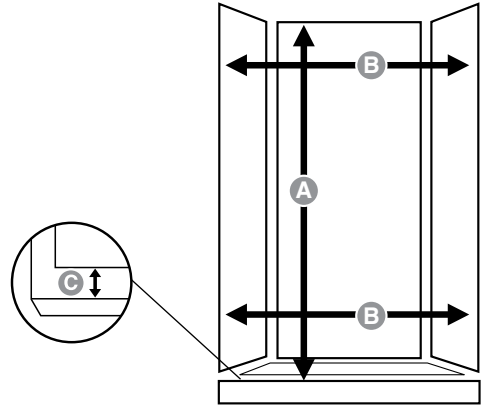
• 60" Shower

- Fits openings between 52" minimum – 60" maximum
- Finished Door Height: 72-1/2"
- Minimum Required Clearance Height for Installation: 73"
- Threshold/Sill Depth Requirement for Installation: 2-7/8"
- Studs required 1-1/2" from front surface of threshold/sill

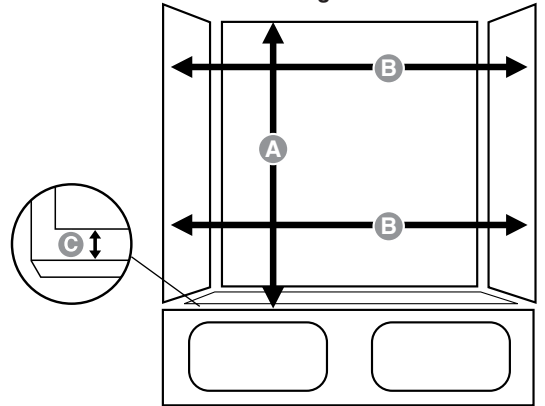
• 60" Tub

- Fits openings between 52" minimum – 60" maximum
- Finished Door Height: 60"
- Minimum Required Clearance Height for Installation: 60-3/4"
- Threshold/Sill Depth Requirement for Installation: 2-7/8"
- Studs required 1-1/2" from front surface of threshold/sill

Sliding Shower Doors



Sliding Tub Doors



NOTE: the height will be different for shower doors vs. bathtubs.

RECORD DIMENSIONS BELOW

	Opening
Height (A):	
Width of widest point (B):	
Width at narrowest point (B):	

**Disclaimers

- For ceramic tile application, use the top of the tile for the maximum door height.
- In older homes the opening at the top is often wider than the bottom due to an out-of-plumb condition.
- NOTE: All Delta Shower Doors are designed to accommodate out-of-plumb conditions totaling 3/8".

Need Additional Assistance with Delta Shower Doors?

Call us at 1.800.964.4850

Visit us at www.deltashowerdoors.com

Email us at customersolutions@deltashowerdoors.com