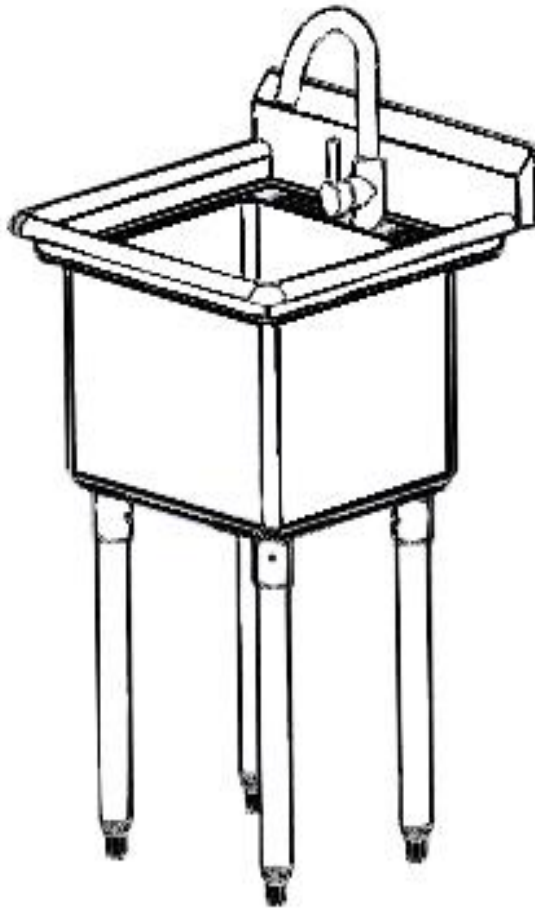




OWNER'S MANUAL



TRINITY STAINLESS STEEL UTILITY SINK
Model # TSL-0301



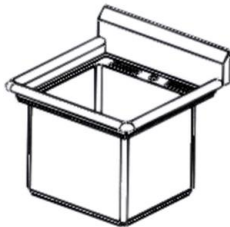
PARTS LIST

Your TRINITY Stainless Steel Utility Sink should include the following parts. Please inspect box contents to ensure you have received all components.

If you are missing any parts, need assistance with assembly or have questions, please contact TRINITY Customer Service: 800.985.5506 or customerservice@trinityii.com. Parts can also be requested online via our "Contact Us" section at www.trinityii.com.

A Phillips head screwdriver is required, and a pipe wrench is recommended.

A



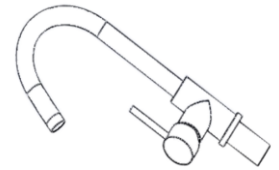
SINK (1)

B



LEG (4)
W/ FEET LEVELER

C



FAUCET (1)
W/ HOSES

D



DRAIN (1)

E



HEX SCREW (4)

F



HEX KEY (1)

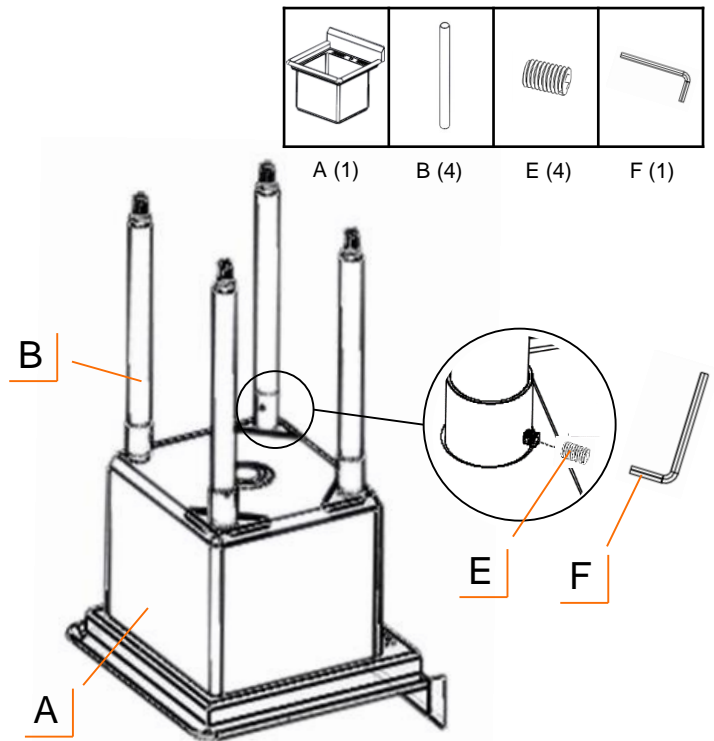
ASSEMBLY INSTRUCTIONS

STEP 1

Lay the SINK (A) upside-down and insert LEG (B) into the round collars on the bottom of the SINK (A).

Use the HEX KEY (F) to tighten the HEX SCREW (E) into the SINK (A). Turn the HEX KEY (F) as far clockwise as possible. Take out the HEX KEY (F), reposition, reinsert, and turn as far clockwise as possible, repeating as necessary until the HEX SCREW (E) is securely in place.

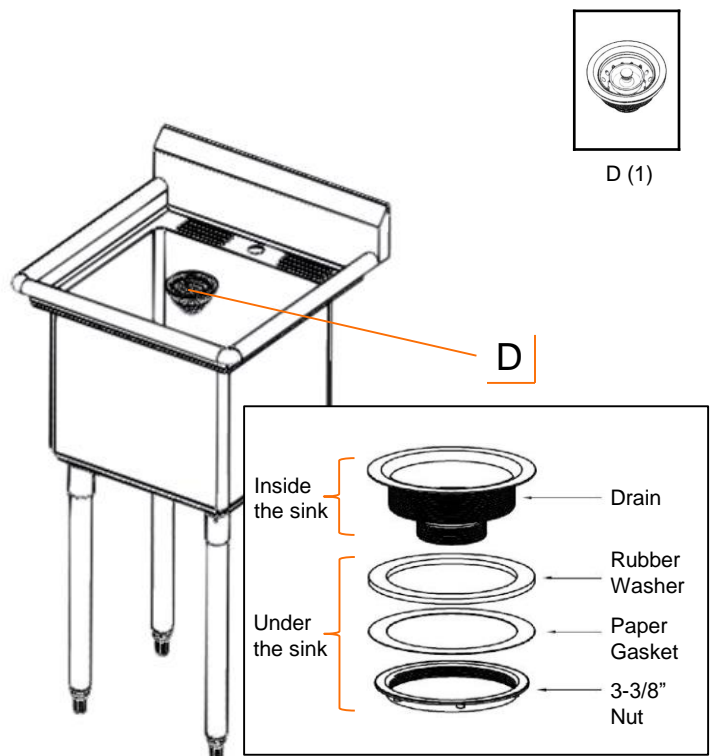
Repeat for each LEG (B).



STEP 2

Carefully turn the sink right-side up, standing on the legs.

Unscrew the large 3-3/8" Nut from the bottom of the DRAIN (D) assembly. Insert DRAIN (D) through the opening at the bottom of the SINK (A) from the inside. From under the SINK (A) first slide the Rubber Washer on, then the Paper Gasket, and finally, tightly screw the large 3-3/8" Nut back on. A pipe wrench could be used to tighten if necessary.

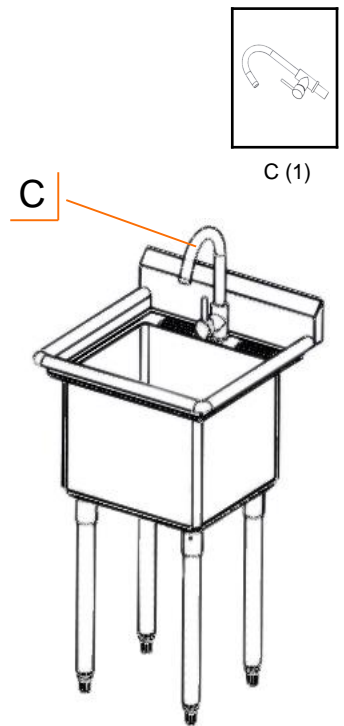
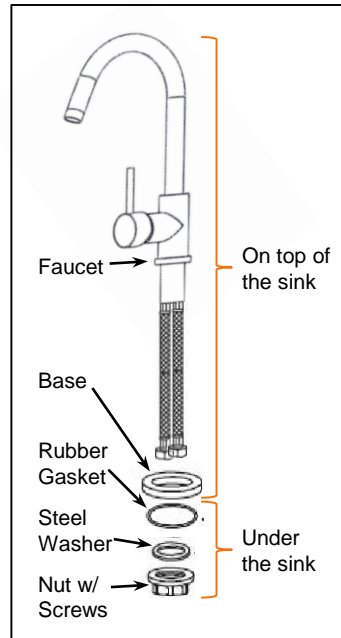


ASSEMBLY INSTRUCTIONS

STEP 3

Unscrew the screws securing the Nut to the bottom of the FAUCET (C) assembly and remove the Nut w/Screws, Steel Washer and Rubber Gasket.

Insert FAUCET (C) assembly through the hole on the SINK (A) ledge from the top side. Make sure the Base is on top of the SINK (A). Orient the faucet handle toward the front. From under the SINK (A), first slide on the Rubber Gasket, then the Steel Washer, and lastly, screw in the Nut, pointed upward. Tighten the Nut as much as you can by hand and tighten the screws if necessary.



STEP 4

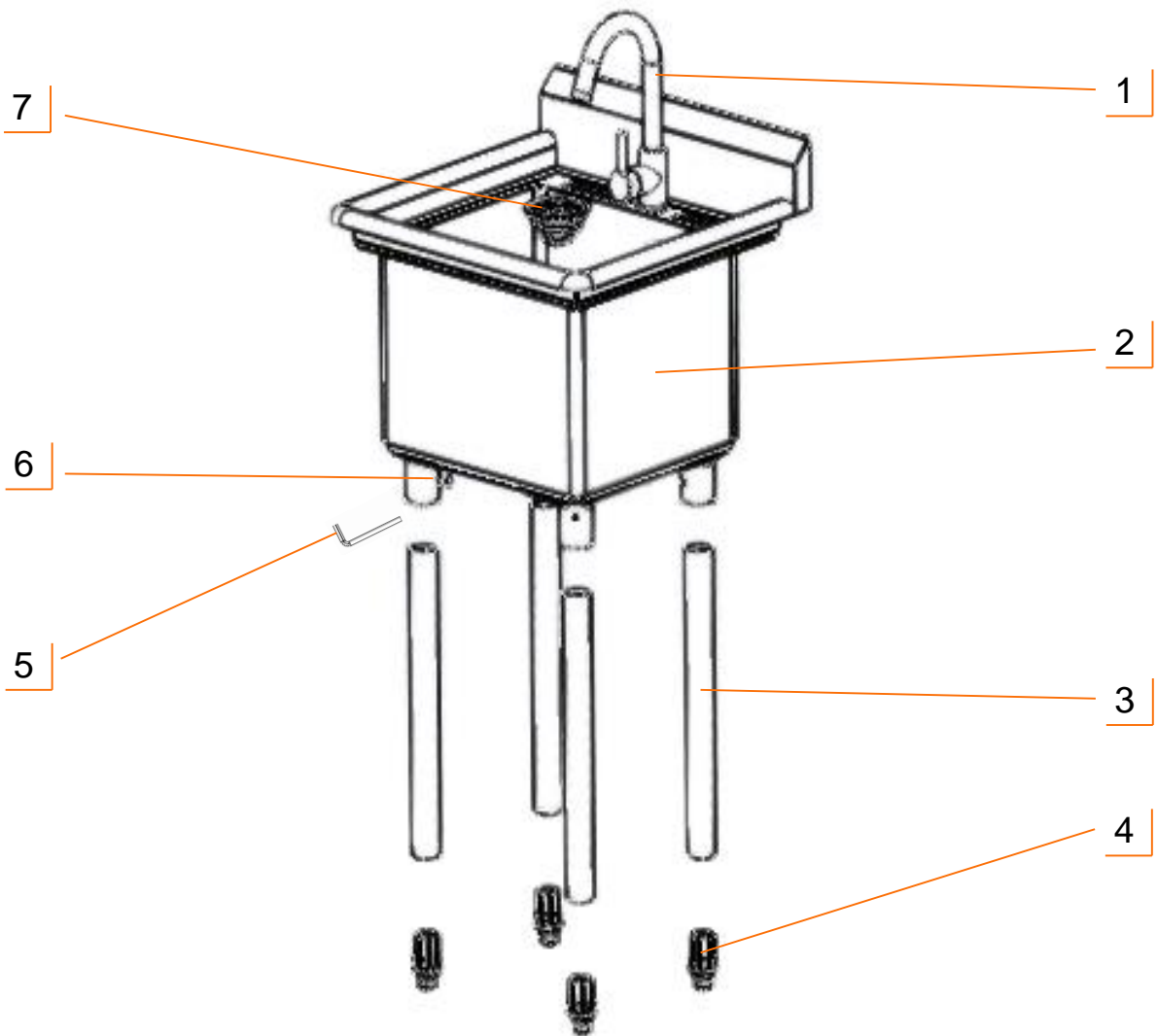
Carefully move the sink into desired location and adjust FEET LEVELERS until the sink is stable and level.

Connect the HOSES and DRAIN to plumbing system.

SERVICE PARTS LIST

TRINITY Customer Service provides the following replacement parts:

Part Number	Description	Part Number	Description
1) CGL-02-009-0001	Faucet Assembly	5) XXX-97-001-0001	Hex Key
2) XBS-18-010-1816	Sink	6) ZSV-01-015-0808	Hex Screw
3) XBS-04-012-1925	Leg	7) XGL-02-003-0002	Drain Assembly
4) XGR-98-005-3775	Foot Leveler		



WARNINGS

1. **Read and understand all instructions.** Failure to follow all instructions may result in injury and/or damage.
2. **The warnings, cautions, and instructions discussed in this manual cannot cover all possible conditions or situations that may occur.** The user must always be aware of their environment and ensure that they use the product in a safe and responsible manner.
3. **Do NOT modify the product in any way.** Unauthorized modification may impair the function and/or safety of the product, and may affect the life of the product.
4. **Check for damaged parts.** Before using this product, carefully check that all parts are in good condition, and that the product will operate properly and perform its intended function. Check for damaged parts and any other conditions that may affect the operation of this product. Replace damaged or worn parts, and never use this product with a damaged part.
5. **Do NOT overload the product.**

Total weight capacity	300 lb
-----------------------	--------

CARE AND MAINTENANCE

- Avoid harsh, abrasive cleaners, and other corrosive chemicals.
- Do not use scouring pad for cleaning.
- Wipe dry after use.
- Use a quality stainless steel cleaner and follow instructions that come with the cleaner. Wipe **ALONG** the grain (**NOT** against).





1 YEAR LIMITED WARRANTY

TRINITY Stainless Steel Utility Sink Model # TSL-0301

Trinity International Industries (“Trinity”) warrants to the original consumer purchaser (“Purchaser”) of the TRINITY Stainless Steel Utility Sink (“Product”) that each Product shall be free from defects in workmanship and materials for a period of 1 year from the date of original purchase. Trinity’s obligation under this warranty shall be limited to repair or replacement of, or adequate compensation for the Product which shall not be greater than the amount of the purchase price of the Product, at the option of Trinity, during the warranty period. All replaced parts and Products become the property of Trinity and must be returned to Trinity.

This warranty excludes normal wear and tear of the Product and its parts or components, and damage arising from any of the following: negligent use or misuse of the Product, use contrary to this User’s Manual, or alteration by any one other than Trinity. The warranty period of 1 year shall not be extended or renewed by the repair or replacement of, or compensation for, the Product. Any warranty implied by applicable law is limited in duration to one year from the date of purchase and is subject to the same conditions and limitations as is provided for our express warranty.

Except as set forth herein, and to the extent of applicable there are no warranties on this Product either express or implied, and Trinity disclaims all warranties including, but not limited to, any implied warranties of merchantability, infringement or fitness for a particular purpose. No warranty or guarantee given by any person, firm, or corporation with respect to this product shall be binding on Trinity.

If your Product is defective or otherwise requires service or parts, please call TRINITY Customer Service toll-free at (800) 985-5506, between 8:00 a.m. and 5:00 p.m., PST. Please tell us which model you purchased, the date of the purchase, and the problem with your Product. A copy of your original purchase receipt must accompany your service request.

LIMITATION OF REMEDIES AND LIABILITY

Trinity (and its employees, officers, members, managers, affiliates and assigns) shall not be liable for any incidental, consequential, special, indirect, remote, special or punitive damages for breach of any warranty, express or implied, including, but not limited to, lost profits, lost savings, loss of anticipated benefits and attorneys’ fees, which arise out of the purchase, use or inability to use the Product, whether arising out of contract, negligence, strict tort, product liability, or any other legal theory on which a claim is based. As noted above, to the extent damages are allowed by our express warranty or by applicable law, those damages may not exceed the purchase price paid for the Product. Without limiting the foregoing Purchaser assumes all risk and liability for loss, damage or injury to Purchaser and Purchaser’s property and to others and their property arising out of the use, misuse, or inability to use this Product. This limited warranty shall not extend to anyone other than the original purchaser of this product, is nontransferable and states your exclusive remedy.

Some states do not allow the exclusion or limitation of incidental, consequential, special, or punitive damages, so the above limitation or exclusion may not apply to you. The above warranty gives you specific legal rights, and you may have other rights which vary from state to state.

CONTACT US

**QUESTIONS? NEED PARTS?
WE ARE HERE TO HELP!**

Please feel free to contact us. There are no questions too small, or any problems too big. We're committed to providing our customers with the highest level of service.

TRINITY Customer Service

TEL: 800.985.5506

FAX: 310.347.4134

EMAIL: customerservice@trinityii.com

**Monday through Friday
8:00 AM – 5:00 PM (PST)**

www.trinityii.com