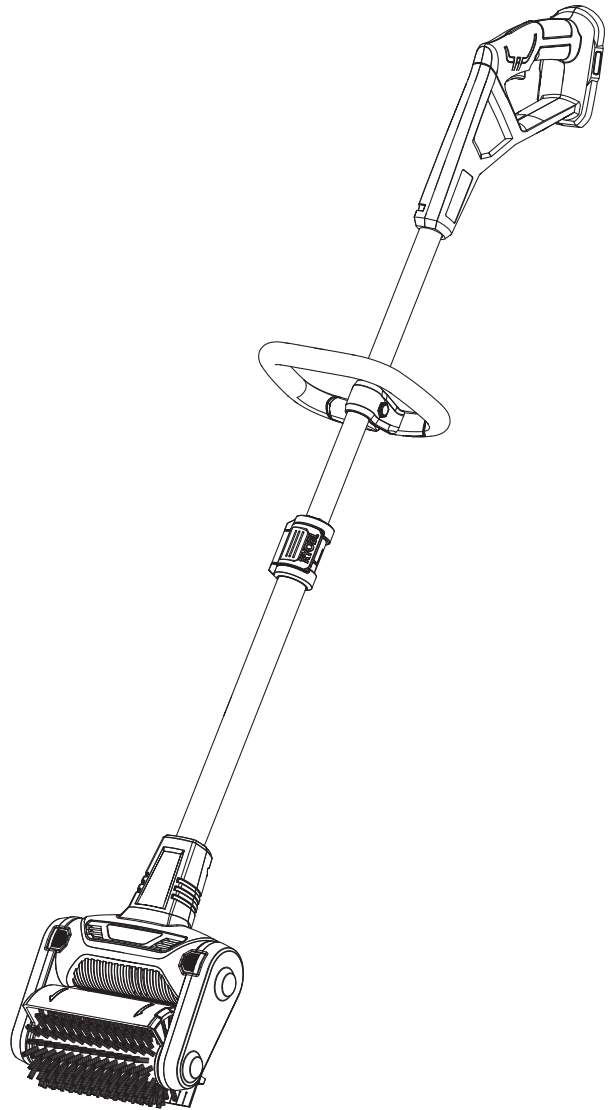




OPERATOR'S MANUAL
MANUEL D'UTILISATION
MANUAL DEL OPERADOR
18 VOLT PATIO CLEANER
NETTOYEUR DE PATIO DE 18 V
LIMPIADOR DE PATIO DE 18 V
P2904



REGISTER YOUR TOOLS
 <http://register.ryobitools.com>
 1-800-525-2579

TABLE OF CONTENTS

- General Safety Rules 2-3
- Specific Safety Rules 3-4
- Symbols 5-6
- Features 6
- Assembly 6-7
- Operation 7-9
- Maintenance 9
- Parts Ordering/Service..... Back Page

TABLE DES MATIÈRES

- Règles de sécurité générales..... 2-3
- Règles de sécurité particulières..... 3-4
- Symboles 5-6
- Caractéristiques 6
- Assemblage 6-7
- Utilisation 7-9
- Entretien 9
- Commande de pièces/
réparation..... Page arrière

ÍNDICE DE CONTENIDO

- Reglas de seguridad generales 2-3
- Reglas de seguridad específicas 3-4
- Símbolos 5-6
- Características 6
- Armado 6-7
- Funcionamiento 7-9
- Mantenimiento 9
- Pedidos de piezas/
servicio..... Pág. posterior

⚠ WARNING: To reduce the risk of injury, the user must read and understand the operator's manual before using this product.

⚠ AVERTISSEMENT : Pour réduire les risques de blessures, l'utilisateur doit lire et veiller à bien comprendre le manuel d'utilisation avant d'employer ce produit.

⚠ ADVERTENCIA: Para reducir el riesgo de lesiones, el usuario debe leer y comprender el manual del operador antes de usar este producto.

**SAVE THIS MANUAL FOR
FUTURE REFERENCE**

**CONSERVER CE MANUEL
POUR FUTURE RÉFÉRENCE**

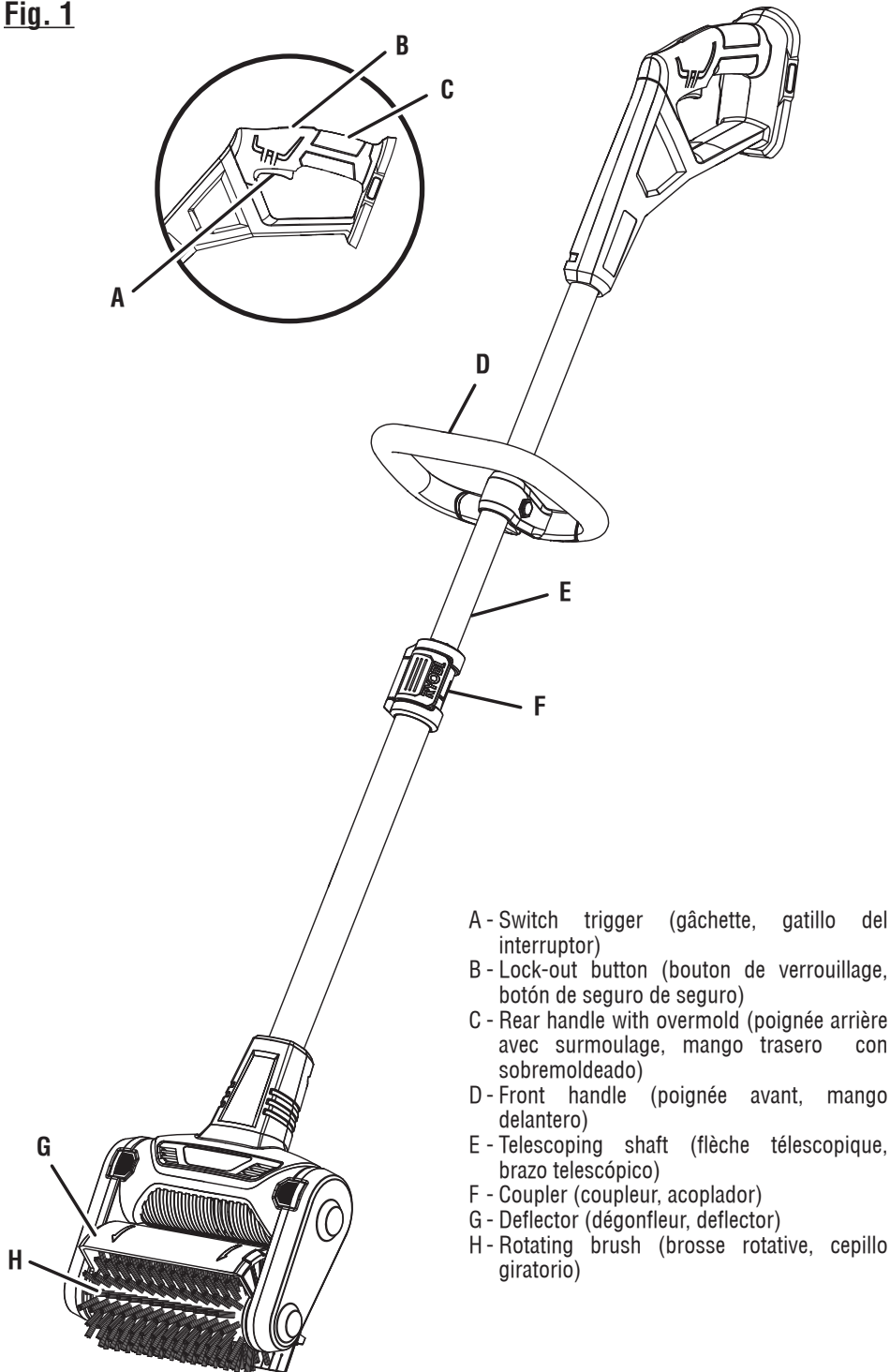
**GUARDE ESTE MANUAL
PARA FUTURAS CONSULTAS**

See this fold-out section for all the figures referenced in the operator's manual.

Voir que cette section d'encart pour toutes les figures a adressé dans le manuel d'utilisation.

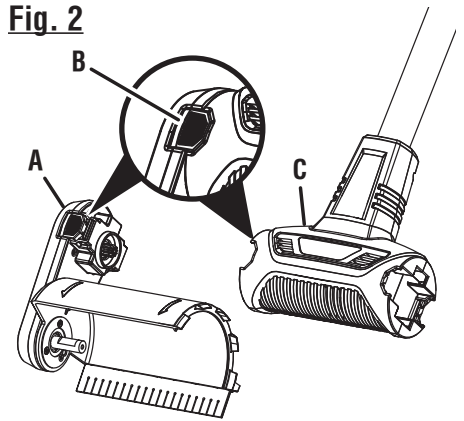
Vea esta sección de la página desplegable para todas las figuras mencionó en el manual del operador.

Fig. 1



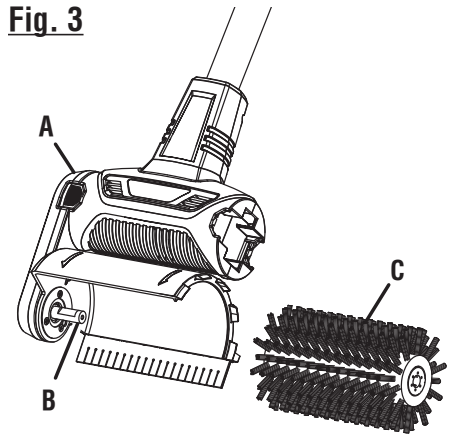
- A - Switch trigger (gâchette, gatillo del interruptor)
- B - Lock-out button (bouton de verrouillage, botón de seguro de seguro)
- C - Rear handle with overmold (poignée arrière avec surmoulage, mango trasero con sobremoldeado)
- D - Front handle (poignée avant, mango delantero)
- E - Telescoping shaft (flèche télescopique, brazo telescópico)
- F - Coupler (coupleur, acoplador)
- G - Deflector (dégonfleur, deflector)
- H - Rotating brush (brosse rotative, cepillo giratorio)

Fig. 2



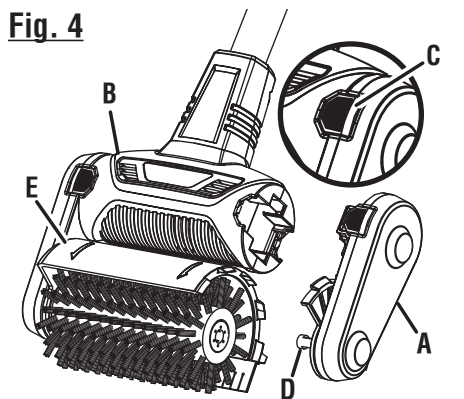
- A - Left end cap and deflector assembly (ensemble de déflecteur et bouchon gauche, conjunto de tapa de extremo izquierdo y deflector)
- B - Latch (loquet, pestillo)
- C - Motor housing (boîtier du moteur, alojamiento del motor)

Fig. 3



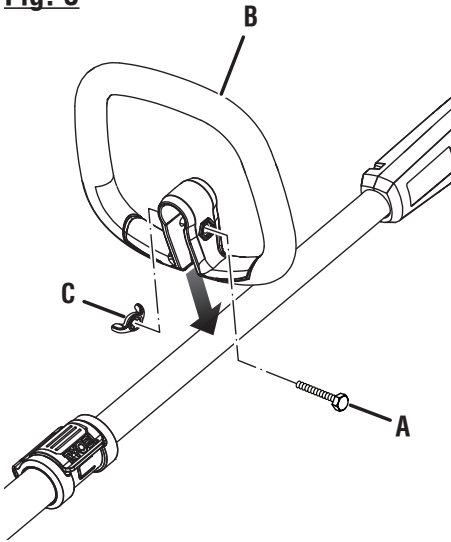
- A - Left end cap and deflector assembly (ensemble de déflecteur et bouchon gauche, conjunto de tapa de extremo izquierdo y deflector)
- B - Shaft (arbre, eje)
- C - Rotating brush (brosse rotative, cepillo giratorio)

Fig. 4



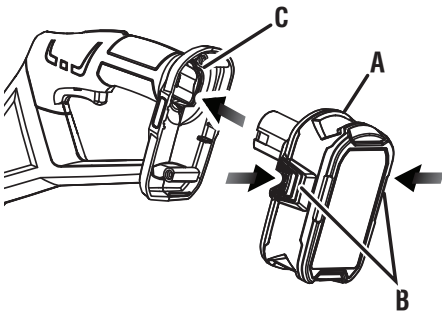
- A - Right end cap (bouchon droit, tapa de extremo derecho)
- B - Motor housing (boîtier du moteur, alojamiento del motor)
- C - Latch (loquet, pestillo)
- D - Shaft (arbre, eje)
- E - Deflector (dégonfleur, deflector)

Fig. 5



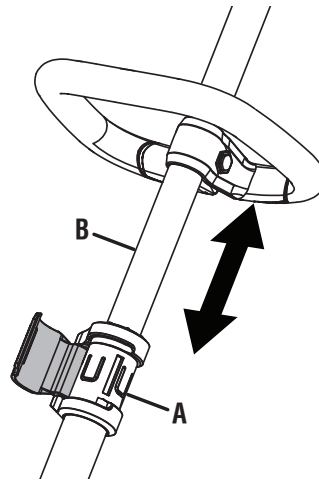
- A - Bolt (boulon, perno)
B - Front handle (poignée avant, mango delantero)
C - Wing nut (écrou à oreilles, tuerca de mariposa)

Fig. 6



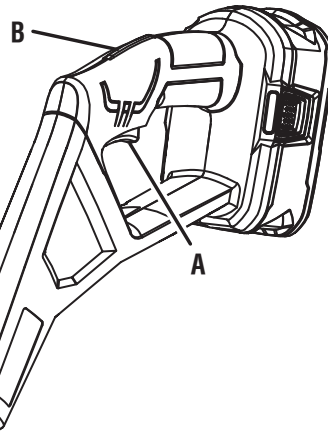
- A - Battery pack (bloc-piles, paquete de baterías)
B - Latches (loquets, pestillos)
C - Battery port (logement de batteries, receptáculo para baterías)

Fig. 7



- A - Coupler (coupleur, acoplador)
B - Telescoping shaft (flèche télescopique, brazo telescópico)

Fig. 8

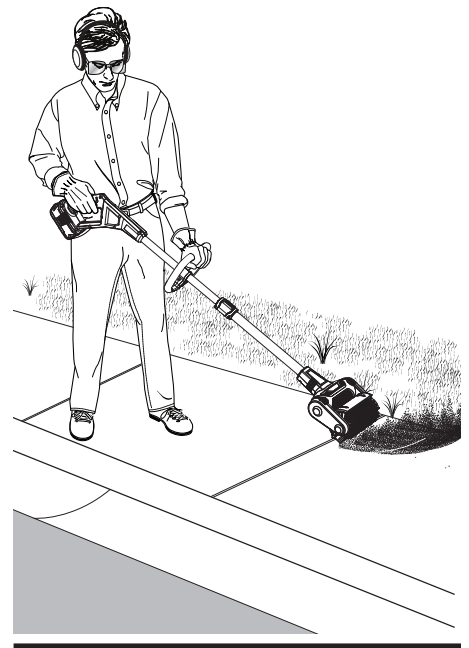


- A - Switch trigger (gâchette, gatillo del interruptor)
B - Lock-out button (bouton de verrouillage, botón de seguro de seguro)

Fig. 9



Fig. 10



GENERAL SAFETY RULES

WARNING:

Read all safety warnings, instructions, illustrations and specifications provided with this appliance. Failure to follow all instructions listed below may result in electric shock, fire and/or serious injury.

Save all warnings and instructions for future reference.

The term “appliance” in the warnings refers to your mains-operated (corded) appliance or battery-operated (cordless) appliance.

WORK AREA SAFETY

- **Keep work area clean and well lit.** Cluttered or dark areas invite accidents.
- **Do not operate appliances in explosive atmospheres, such as in the presence of flammable liquids, gases or dust.** Appliances create sparks which may ignite the dust or fumes.
- **Keep children and bystanders away while operating an appliance.** Distractions can cause you to lose control.

ELECTRICAL SAFETY

- **Avoid body contact with earthed or grounded surfaces, such as pipes, radiators, ranges and refrigerators.** There is an increased risk of electric shock if your body is earthed or grounded.
- **Do not expose appliances to rain or wet conditions.** Water entering an appliance will increase the risk of electric shock.
- **Use this product only with batteries and chargers listed in tool/appliance/battery pack/charger correlation supplement 987000-432.**

PERSONAL SAFETY

- **Stay alert, watch what you are doing and use common sense when operating an appliance. Do not use an appliance while you are tired or under the influence of drugs, alcohol or medication.** A moment of inattention while operating appliances may result in serious personal injury.
- **Use personal protective equipment. Always wear eye protection.** Protective equipment such as dust mask, non-skid safety shoes, hard hat, or hearing protection used for appropriate conditions will reduce personal injuries.
- **Keep all parts of your body away from any moving part.**
- **Prevent unintentional starting. Ensure the switch is in the off-position before connecting to power source and/or battery pack, picking up or carrying the tool.** Carrying appliances with your finger on the switch or

energizing appliances that have the switch on invites accidents.

- **Remove any adjusting key or wrench before turning the appliance on.** A wrench or a key left attached to a rotating part of the appliance may result in personal injury.
- **Do not overreach. Keep proper footing and balance at all times.** This enables better control of the appliance in unexpected situations.
- **Dress properly. Do not wear loose clothing or jewelry. Keep your hair and clothing away from moving parts.** Loose clothes, jewelry or long hair can be caught in moving parts or drawn into air vents.
- **If devices are provided for the connection of dust extraction and collection facilities, ensure these are connected and properly used.** Use of dust collection can reduce dust-related hazards.
- **Do not let familiarity gained from frequent use of tools allow you to become complacent and ignore tool safety principles.** A careless action can cause severe injury within a fraction of a second.
- **Do not use on a ladder or unstable support.** Stable footing on a solid surface enables better control of the appliance in unexpected situations.

APPLIANCE USE AND CARE

- **Do not force the appliance. Use the correct appliance for your application.** The correct appliance will do the job better and safer at the rate for which it was designed.
- **Do not use the appliance if the switch does not turn it on and off.** Any appliance that cannot be controlled with the switch is dangerous and must be repaired.
- **Disconnect the plug from the power source and/or remove the battery pack, if detachable, from the appliance before making any adjustments, changing accessories, or storing appliances.** Such preventive safety measures reduce the risk of starting the appliance accidentally.
- **Store idle appliances out of the reach of children and do not allow children or persons unfamiliar with the appliance or these instructions to operate the power tool.** Appliances are dangerous in the hands of untrained users.
- **Maintain appliances and accessories. Check for misalignment or binding of moving parts, breakage of parts and any other condition that may affect the power tool’s operation. If damaged, have the power tool repaired before use.** Many accidents are caused by poorly maintained appliances.
- **Inspect unit before each use for loose fasteners and damaged or missing parts.** Correct before using the patio cleaner. Failure to do so can cause serious injury.

GENERAL SAFETY RULES

- **Use the power tool, accessories and tool bits etc. in accordance with these instructions, taking into account the working conditions and the work to be performed.** Use of the power tool for operations different from those intended could result in a hazardous situation.
- **Do not, under any circumstance, use any attachment or accessory on this product, which was not provided with the product or identified as appropriate for use with this product in the operator's manual.**
- **Keep handles and grasping surfaces dry, clean and free from oil and grease.** Slippery handles and grasping surfaces do not allow for safe handling and control of the tool in unexpected situations.
- **Under abusive conditions, liquid may be ejected from the battery; avoid contact. If contact accidentally occurs, flush with water. If liquid contacts eyes, additionally seek medical help.** Liquid ejected from the battery may cause irritation or burns.
- **Do not use a battery pack or tool that is damaged or modified.** Damaged or modified batteries may exhibit unpredictable behavior resulting in fire, explosion or risk of injury.
- **Do not expose a battery pack or tool to fire or excessive temperature.** Exposure to fire or temperature above 265°F may cause explosion.
- **Follow all charging instructions and do not charge the battery pack or tool outside the temperature range specified in the instructions.** Charging improperly or at temperatures outside the specified range may damage the battery and increase the risk of fire.

BATTERY TOOL USE AND CARE

- **Recharge only with the charger specified by the manufacturer.** A charger that is suitable for one type of battery pack may create a risk of fire when used with another battery pack.
- **Use appliances only with specifically designated battery packs.** Use of any other battery packs may create a risk of injury and fire.
- **When battery pack is not in use, keep it away from other metal objects, like paper clips, coins, keys, nails, screws or other small metal objects, that can make a connection from one terminal to another.** Shorting the battery terminals together may cause burns or a fire.

SERVICE

- **Have your appliance serviced by a qualified repair person using only identical replacement parts.** This will ensure that the safety of the appliance is maintained.
- **Never service damaged battery packs.** Service of battery packs should only be performed by the manufacturer or authorized service providers.

SPECIFIC SAFETY RULES




- **Know your power tool.** Read operator's manual carefully. Learn its applications and limitations, as well as the specific potential hazards related to this power tool. Following this rule will reduce the risk of electric shock, fire, or serious injury.
- **Always wear eye protection with side shields marked to comply with ANSI Z87.1 along with hearing protection when operating this equipment.**
- **Ensure handle is mounted in accordance with the assembly instructions in this manual.**
- **Dress Properly** – Use of rubber gloves and substantial footwear is recommended when working outdoors. Wear heavy, long pants, long sleeves, boots, and gloves. Do not wear loose fitting clothing or jewelry or anything that can be caught in moving parts. Secure long hair above shoulder level to prevent entanglement in moving parts.
- **Brush thrust is a reaction force that occurs when the rotating brushes contact the cleaning surface.** This contact causes the patio cleaner to “thrust” itself toward the operator as the brushes begin to turn. This reaction can be violent enough to cause the operator to lose control of the unit. Brush thrust can occur without warning, but it is more likely to occur when the rotating brushes are placed on the cleaning surface too quickly. To minimize the thrust reaction, hold the unit securely with both hands and slowly lower the rotating brushes onto the cleaning surface.
- **Do not operate the patio cleaner unless the deflector is firmly secured in place and in good condition.**
- **Keep firm footing and balance.** Do not overreach. Overreaching can result in loss of balance.

SPECIFIC SAFETY RULES












- **During use, the rotating brushes will throw dirt and debris away from the user.** Do not operate the patio cleaner in a direction that will cause dirt or debris to be thrown on people or pets. Thrown debris or other objects can cause serious personal injuries.
- **Store Idle Patio Cleaner Indoors** — When not in use, the patio cleaner should be stored indoors in a dry, locked up place — unplugged and out of the reach of children.
- **Never use patio cleaner near fires, fireplaces, hot ashes, barbecue pits, etc.** Use near fires or ashes can spread fires and result in serious injury and/or property damage.
- **Never use patio cleaner to spread chemicals, fertilizers, or any other toxic substances.** Spreading these substances could result in serious injury to the operator or bystanders.
- **Check the work area before each use.** Remove all objects such as rocks, broken glass, nails, wire, or string which can be thrown or become entangled in the machine.
- **Only use the patio cleaner on flat, horizontal surfaces.** Never lift the patio cleaner from the cleaning surface while operating the unit.
- **Never use the patio cleaner on a rooftop or other unstable surface, which can result in death or serious personal injury.**
- **For household use only.**
- **Never direct discharged material toward anyone.** Avoid discharging material against a wall or obstruction. Material may ricochet back toward the operator. Stop the patio cleaner when crossing gravel or rocky surfaces.
- **If the patio cleaner strikes a foreign object, follow these steps:**
 - Release the switch trigger and wait until the unit comes to a complete stop.
 - Remove the spark plug wire, disconnect from the power supply, or remove the battery pack.
 - Thoroughly inspect the patio cleaner for any damage.
 - Repair any damage before restarting and continuing to operate the patio cleaner.
- **Only operate the patio cleaner in accordance with the operating instructions provided in this operator's manual.**
- **Never operate the patio cleaner close to your feet.** Keep the patio cleaner a minimum of twelve inches from your feet at all times.
- **Do not touch rotating brushes during operation.**
- **Coasting brushes can cause injury while they continue spinning after the engine is stopped or throttle trigger released.**
- **Replace damaged brushes immediately.** Damaged brushes can cause the tool to vibrate excessively, become unbalanced, or become hard to control. Always make sure brushes are installed correctly and securely fastened before each use. Failure to do so can cause serious injury.
- **Use only the manufacturer's replacement brushes intended for use on this tool.** Do not use any other brushes. To install any other brand brushes to this tool can result in serious personal injury.
- **Always stop the motor before making any adjustments, changing accessories, or storing the patio cleaner.** Such preventive safety measures reduce the risk of starting the patio cleaner accidentally.
- **Do not use battery-operated appliance in rain.**
- **Battery tools do not have to be plugged into an electrical outlet; therefore, they are always in operating condition.** Be aware of possible hazards when not using your battery tool or when changing accessories. Following this rule will reduce the risk of electric shock, fire, or serious personal injury.
- **Do not place battery tools or their batteries near fire or heat.** This will reduce the risk of explosion and possibly injury.
- **Do not crush, drop or damage battery pack.** Do not use a battery pack or charger that has been dropped or received a sharp blow. A damaged battery is subject to explosion. Properly dispose of a dropped or damaged battery immediately.
- **Batteries can explode in the presence of a source of ignition, such as a pilot light.** To reduce the risk of serious personal injury, never use any cordless product in the presence of open flame. An exploded battery can propel debris and chemicals. If exposed, flush with water immediately.
- **Do not charge battery tool in a damp or wet location. Do not use, store, or charge battery packs or products in locations where the temperature is less than 50°F or more than 100°F.** Do not store outside or in vehicles.
- **Under extreme usage or temperature conditions, battery leakage may occur.** If liquid comes in contact with your skin, wash immediately with soap and water. If liquid gets into your eyes, flush them with clean water for at least 10 minutes, then seek immediate medical attention. Following this rule will reduce the risk of serious personal injury.
- **Save these instructions.** Refer to them frequently and use them to instruct others who may use this tool. If you loan someone this tool, loan them these instructions also.

SYMBOLS

The following signal words and meanings are intended to explain the levels of risk associated with this product.

SYMBOL	SIGNAL	MEANING
	DANGER:	Indicates a hazardous situation, which, if not avoided, will result in death or serious injury.
	WARNING:	Indicates a hazardous situation, which, if not avoided, could result in death or serious injury.
	CAUTION:	Indicates a hazardous situation, that, if not avoided, may result in minor or moderate injury.
	NOTICE:	(Without Safety Alert Symbol) Indicates information considered important, but not related to a potential injury (e.g. messages relating to property damage).

Some of the following symbols may be used on this product. Please study them and learn their meaning. Proper interpretation of these symbols will allow you to operate the product better and safer.

SYMBOL	NAME	DESIGNATION/EXPLANATION
	Safety Alert	Indicates a potential personal injury hazard.
	Read Operator's Manual	To reduce the risk of injury, user must read and understand operator's manual before using this product.
	Eye & Ear Protection	Always wear eye protection with side shields marked to comply with ANSI Z87.1 along with hearing protection.
	Wet Conditions Alert	Do not expose to rain or use in damp locations.
	Recycle Symbol	This product uses lithium-ion (Li-ion) batteries. Local, state, or federal laws may prohibit disposal of batteries in ordinary trash. Consult your local waste authority for information regarding available recycling and/or disposal options.
	Ricochet	Thrown objects can ricochet and result in personal injury or property damage.
	Keep Children and Bystanders Away	Keep all children and bystanders at least 50 ft. away.
	Brush Thrust	Thrust reaction generated when rotating brushes contact the ground.
	Wear Gloves	Wear non-slip, heavy-duty protective gloves when handling the chain saw.
	Wear Safety Footwear	Wear non-slip safety footwear when using this equipment.
	Keep Hands and Feet Away	Keep hands and feet away from rotating brushes.

SYMBOLS

Some of the following symbols may be used on this product. Please study them and learn their meaning. Proper interpretation of these symbols will allow you to operate the product better and safer.

SYMBOL	NAME	DESIGNATION/EXPLANATION
⎓	Direct Current	Type or a characteristic of current
V	Volts	Voltage

FEATURES

PRODUCT SPECIFICATIONS

Motor.....	18 V DC	Brush Length.....	1 in.
Total Sweeping Width.....	6.3 in.	Brush Diameter.....	4 in.

KNOW YOUR PATIO CLEANER

See Figure 1.

The safe use of this product requires an understanding of the information on the tool and in this operator's manual as well as a knowledge of the project you are attempting. Before use of this product, familiarize yourself with all operating features and safety rules.

LOCK-OUT BUTTON

The lock-out button prevents accidental starting.

TELESCOPING SHAFT

The patio cleaner can be adjusted to different extension points for ease of use.

REAR HANDLE WITH OVERMOLD

The rear handle with overmold provides added user comfort.

ROTATING BRUSH

The rotating brush makes it easy to clean a variety of flat exterior surfaces such as patios and decks.

ASSEMBLY

UNPACKING

This product requires assembly.

- Carefully remove the product and any accessories from the box. Make sure that all items listed in the packing list are included.

WARNING:

Do not use this product if any parts on the **Packing List** are already assembled to your product when you unpack it. Parts on this list are not assembled to the product by the manufacturer and require customer installation. Use of a product that may have been improperly assembled could result in serious personal injury.

- Inspect the product carefully to make sure no breakage or damage occurred during shipping.

- Do not discard the packing material until you have carefully inspected and satisfactorily operated the product.
- If any parts are damaged or missing, please call 1-800-525-2579 for assistance.

PACKING LIST

Patio Cleaner
Front Handle
Left End Cap and Deflector Assembly
Right End Cap
Rotating Brush
Operator's Manual

WARNING:

If any parts are damaged or missing do not operate this product until the parts are replaced. Use of this product with damaged or missing parts could result in serious personal injury.

ASSEMBLY

WARNING:

Do not attempt to modify this product or create accessories not recommended for use with this product. Any such alteration or modification is misuse and could result in a hazardous condition leading to possible serious personal injury.

WARNING:

To prevent accidental starting that could cause serious personal injury, always remove the battery pack from the product when assembling parts.

INSTALLING/REMOVING THE ROTATING BRUSH ASSEMBLY

See Figures 2 - 4.

- Remove the battery pack.
- Position the left end cap and deflector assembly on the side of the motor head.
- Push the left end cap and deflector assembly onto the motor head until it clicks into place.

- Slide the rotating brush beneath the deflector and onto the shaft on the left end cap.
- Position the right end cap on the side of the motor head.
- Rotate the deflector until it is aligned with the right end cap.
- Push the right end cap onto the motor head until the shaft goes through the center of the brush and the end cap snaps into place.

To remove the rotating brush:

- Depress the latch on the right end cap and remove it from the motor head.
- Slide the rotating brush away from the appliance.

ATTACHING THE FRONT HANDLE

See Figure 5.

The front handle must be used to ensure the best control and maximize operator safety when using this product.

- Loosen and remove the wing nut and bolt from the handle.
- Install the handle on the power head shaft at the location indicated by the label on the shaft.
- Adjust handle up or down, if necessary, to desired operating position.
- Reinstall the bolt and wing nut. Tighten wing nut to secure.

OPERATION

WARNING:

Do not allow familiarity with products to make you careless. Remember that a careless fraction of a second is sufficient to inflict serious injury.

WARNING:

Always wear eye protection with side shields marked to comply with ANSI Z87.1 along with hearing protection. Failure to do so could result in objects being thrown into your eyes and other possible serious injuries.

WARNING:

Do not use any attachments or accessories not recommended by the manufacturer of this product. The use of attachments or accessories not recommended can result in serious personal injury.

WARNING:

Do not allow hands, feet, or any other part of the body or clothing near the rotating brush or any other moving part. The brush will rotate once the lock-out button is depressed and switch trigger is pulled. The brush continues to rotate until the switch trigger is released. Failure to avoid contact could cause serious personal injury.

WARNING:

Always remove battery pack from your tool when you are assembling parts, making adjustments, cleaning, or when not in use. Removing battery pack will prevent accidental starting that could cause serious personal injury.

NOTICE:

Before each use, inspect the entire product for damaged, missing, or loose parts such as screws, nuts, bolts, caps, etc. Tighten securely all fasteners and caps and do not operate this product until all missing or damaged parts are replaced. Please contact customer service or a qualified service center for assistance.

OPERATION

APPLICATIONS

You may use this product for the purpose listed below:

- Sweeping and removing dirt, grass, and other debris from patios, walkways, and driveways

INSTALLING/REMOVING BATTERY PACK

See Figure 6.

- Insert the battery pack into the product as shown.
- Make sure the latches on each side of the battery pack snap in place and that battery pack is secured in the product before beginning operation.
- Depress the latches to remove the battery pack.

WARNING:

To avoid serious personal injury, always remove the battery pack and keep hands clear of the lock-out button when carrying or transporting the tool.

For complete charging instructions, see the operator's manuals for your battery pack and charger.

ADJUSTING THE TELESCOPING SHAFT

See Figure 7

The shaft can be extended or shortened for ease of use.

- Remove the battery pack.
- Unlock the coupler.
- Adjust the shaft up or down to find a comfortable position to hold the unit.
- Return the coupler to the locked position.

NOTE: Be sure the coupler is securely locked before operating the tool.

STARTING AND STOPPING THE UNIT

See Figure 8.

To start:

- Press and hold the lock-out button.
- Depress the switch trigger.
- Release the lock-out button. Continue to press the switch trigger for extended operation.

To stop:

- Release the switch trigger to stop the unit.
- Upon release of the switch trigger, the lock-out button will automatically reset to the locked position.

USING THE PATIO CLEANER

See Figures 9 - 10.

WARNING:

Never use the patio cleaner on a rooftop or other unstable surface, which can result in death or serious personal injury.

WARNING:

Do not wear loose clothing, scarves, or jewelry. They can be caught in moving parts and cause death or serious personal injury.

WARNING:

Keep all debris discharge pointed away from all electrical devices to reduce the risk of electrocution or electric shock.

WARNING:

Never point the patio cleaner in the direction of people or pets. Thrown debris or other objects can cause serious personal injuries.

Hold the patio cleaner with your right hand on the rear handle and your left hand on the front handle. Keep a firm grip with both hands while in operation. The patio cleaner should be held at a comfortable position with the trigger handle about hip height. Maintain your grip and balance on both feet. Position yourself so that you will not be drawn off balance by the brush thrust of the rotating brush.

- Take notice of the direction of the wind before beginning. When possible, discharge debris in the same direction as the wind to prevent debris from being thrown back into your face.
- Work in one direction. Start the patio cleaner and walk slowly behind the patio cleaner, cleaning as you go. **Do not pull the unit towards you during operation.** Release the switch trigger to stop the rotation of the brush. Return to the starting point to begin sweeping another strip.

NOTE: For a deep clean, pour a small amount of warm soapy water onto the cleaning surface prior to operation. **Do not run the tool in a puddle of any depth.**

WARNING:

Do not use the patio cleaner on raised obstacles. Striking any raised obstacle while using the patio cleaner could damage the unit. If contact does occur and results in damage or vibration when operating the patio cleaner, stop and discontinue use. Continuing to operate a damaged unit could result in serious personal injury.

OPERATION

WARNING:

Never touch the rotating brushes or place any body part in front of the patio cleaner when the unit is operating or a battery pack is installed. Always ensure all moving parts have stopped and the battery pack has been removed before clearing any obstructions. Failure to follow these instructions can result in serious personal injury.

WARNING:

Never operate the patio cleaner close to your feet. Keep the patio cleaner a minimum of twelve inches from your feet at all times.

- Ensure the rotating brush has come to a complete stop before setting the patio cleaner down.

MAINTENANCE

WARNING:

To avoid serious personal injury, always remove the battery pack from the product before inspecting, cleaning or performing any maintenance.

WARNING:

Always wear eye protection with side shields marked to comply with ANSI Z87.1. Failure to do so could result in objects being thrown into your eyes resulting in possible serious injury.

WARNING:

When servicing, use only identical replacement parts. Use of any other parts could create a hazard or cause product damage.

NOTICE:

Periodically inspect the entire product for damaged, missing, or loose parts such as screws, nuts, bolts, caps, etc. Tighten securely all fasteners and caps and do not operate this product until all missing or damaged parts are replaced. Please contact customer service or a qualified service center for assistance.

GENERAL MAINTENANCE

Avoid using solvents when cleaning plastic parts. Most plastics are susceptible to damage from various types of commercial solvents and may be damaged by their use. Use clean cloths to remove dirt, dust, oil, grease, etc.

WARNING:

Do not at any time let brake fluids, gasoline, petroleum-based products, penetrating oils, etc., come in contact with plastic parts. Chemicals can damage, weaken or destroy plastic which may result in serious personal injury.

REPLACING THE ROTATING BRUSH

See Figures 3 - 4.

After extended use, the brush accessory may wear and need replacing. If you drop the tool and damage the brush accessory it may also be necessary for you to replace it. Refer to **Installing/removing the rotating brush assembly** earlier in this manual.

This product has a Three-year Limited Warranty for personal, family, or household use (30 days for business or commercial use). For warranty details, visit www.ryobitools.com or call (toll free) 1-800-525-2579.

RÈGLES DE SÉCURITÉ GÉNÉRALES

AVERTISSEMENT :

Lire les avertissements de sécurité, les instructions et les précisions et consulter les illustrations fournis avec cet appareil électrique. Le fait de ne pas se conformer à l'ensemble des consignes présentées ci-dessous risque d'entraîner des décharges électriques, un incendie et/ou des blessures graves.

Conserver les avertissements et les instructions à des fins de référence ultérieure. Le terme « appareil électrique », utilisé dans tous les avertissements ci-dessous désigne tout appareil fonctionnant sur secteur (câblé) ou sur piles (sans fil).

SÉCURITÉ DU LIEU DE TRAVAIL

- **Garder le lieu de travail propre et bien éclairé.** Les endroits encombrés ou sombres sont propices aux accidents.
- **Ne pas utiliser les appareils électriques dans des atmosphères explosives, par exemple en présence de liquides, gaz ou poussières inflammables.** Les appareils électriques produisent des étincelles risquant d'enflammer les poussières ou vapeurs.
- **Garder les enfants et badauds à l'écart pendant l'utilisation d'un appareil électrique.** Les distractions peuvent causer une perte de contrôle.

SÉCURITÉ ÉLECTRIQUE

- **Éviter tout contact du corps avec des surfaces mises à la terre, telles que tuyaux, radiateurs, cuisinières et réfrigérateurs.** Le risque de choc électrique est accru lorsque le corps est mis à la terre.
- **Ne pas exposer les appareils électriques à l'eau ou l'humidité.** La pénétration d'eau dans ces appareils accroît le risque de choc électrique.
- **Utiliser ce produit seulement avec la piles et le chargeurs indiqués dans le supplément de raccordement pour chargeur/outils/piles/appareil n° 987000-432.**

SÉCURITÉ PERSONNELLE

- **Rester attentif, prêter attention au travail et faire preuve de bon sens lors de l'utilisation de tout appareil électrique. Ne pas utiliser cet appareil en état de fatigue ou sous l'influence de l'alcool, de drogues ou de médicaments.** Un moment d'inattention pendant l'utilisation d'un appareil électrique peut entraîner des blessures graves.
- **Utiliser l'équipement de sécurité. Toujours porter une protection oculaire.** L'équipement de sécurité, tel qu'un masque filtrant, de chaussures de sécurité, d'un casque ou d'une protection auditive, utilisé dans des conditions appropriées réduira le risque de blessures.
- **Garder toutes les parties de votre corps à l'écart de toute partie mobile.**
- **Éviter les démarrages accidentels. S'assurer que la gâchette est en position d'arrêt avant de brancher l'appareil à une source de courant, d'insérer la batterie, de le ramasser ou de le transporter.** Porter un appareil

avec le doigt sur son commutateur ou brancher un appareil dont le commutateur est en position de marche peut causer un accident.

- **Retirer les clés de réglage avant de mettre l'appareil en marche.** Une clé laissée sur une pièce rotative de l'appareil peut causer des blessures.
- **Ne pas travailler hors de portée. Toujours se tenir bien campé et en équilibre.** Ceci permettra de mieux contrôler l'appareil en cas de situation imprévue.
- **Porter une tenue appropriée. Ne porter ni vêtements amples, ni bijoux. Garder les cheveux, les vêtements et les gants à l'écart des pièces en mouvement.** Les vêtements amples, bijoux et cheveux longs peuvent se prendre dans les pièces en mouvement ou dans les ouïes d'aération.
- **Si les appareils sont équipés de dispositifs de dépoussiérage, s'assurer qu'ils sont connectés et correctement utilisés.** L'usage de ces dispositifs de dépoussiérage peut réduire les dangers présentés par la poussière.
- **Malgré votre expérience acquise par l'utilisation fréquente des appareils, soyez toujours vigilant et respectez les principes de sécurité relatifs aux appareils.** Il s'agit d'une fraction de seconde pour qu'un geste irréfléchi puisse causer de graves blessures.
- **Ne pas utiliser l'appareil sur une échelle ou un support instable.** Une bonne tenue et un bon équilibre permettent de mieux contrôler l'appareil en cas de situation imprévue.

UTILISATION ET ENTRETIEN DES APPAREILS ÉLECTRIQUES

- **Ne pas forcer l'appareil. Utiliser l'appareil approprié pour l'application.** Un appareil approprié exécutera le travail mieux et de façon moins dangereuse s'il est utilisé dans les limites prévues.
- **Ne pas utiliser l'appareil si le commutateur ne permet pas de le mettre en marche ou de l'arrêter.** Tout appareil qui ne peut pas être contrôlé par son commutateur est dangereux et doit être réparé.
- **Débrancher l'appareil et/ou retirer le bloc-piles avant d'effectuer des réglages, de changer d'accessoire ou de remiser l'appareil.** Ces mesures de sécurité préventives réduisent les risques de démarrage accidentel de l'appareil.
- **Ranger les appareils motorisés hors de la portée des enfants et ne laisser enfants ou personnes n'étant pas familiarisés avec l'appareil ou ces instructions utiliser l'appareil.** Dans les mains de personnes n'ayant pas reçu des instructions adéquates, les appareils sont dangereux.
- **Entretien des appareils motorisés. Vérifier qu'aucune pièce mobile n'est mal alignée ou bloquée, qu'aucune pièce n'est brisée et s'assurer qu'aucun autre problème ne risque d'affecter le bon fonctionnement de l'appareil. En cas de dommages faire réparer l'appareil avant de l'utiliser de nouveau.** Beaucoup d'accidents sont causés par des appareils mal entretenus.

RÈGLES DE SÉCURITÉ GÉNÉRALES

- **Inspecter l'appareil avant chaque utilisation pour vérifier la présence de fixations desserrées et de pièces manquantes ou endommagées.** Résoudre les problèmes avant d'utiliser le nettoyeur de patio. Ne pas respecter cette consigne peut provoquer des blessures graves.
- **Utiliser l'appareil, les accessoires et embouts, etc. conformément à ces instructions pour les applications pour lesquelles ils sont conçus, en tenant compte des conditions et du type de travail à exécuter.** L'usage d'un appareil motorisé pour des applications pour lesquelles il n'est pas conçu peut être dangereux.
- **N'utiliser en aucun cas un accessoire sur ce produit, qui n'est pas fourni avec le produit ou identifié comme étant approprié avec ce produit selon le manuel de l'utilisateur.**
- **Gardez les poignées et les surfaces de prise sèches, propres et exemptes d'huile et de graisse.** Des poignées et des surfaces de prise glissantes empêchent la manipulation et le contrôle sécuritaires de l'appareil dans des circonstances imprévues.

UTILISATION ET ENTRETIEN DE LA PILE

- **Ne recharger qu'avec l'appareil spécifié par le fabricant.** Un chargeur approprié pour un type de pile peut créer un risque d'incendie s'il est utilisé avec un autre type de pile.
- **Utiliser exclusivement le bloc-pile spécifiquement indiqué pour l'appareil.** L'usage de tout autre bloc peut créer un risque de blessures et d'incendie.
- **Lorsque le bloc-piles n'est pas en usage, le garder à l'écart d'articles tels qu'attaches trombones, pièces de monnaie, clous, vis ou autres petits objets métalliques**

risquant d'établir le contact entre les deux bornes. La mise en court-circuit des bornes de piles peut causer des étincelles, des brûlures ou un incendie.

- **En cas d'usage abusif, du liquide peut s'échapper des piles. Éviter tout contact avec ce liquide. En cas de contact accidentel, rincer immédiatement les parties atteintes avec de l'eau. En cas d'éclaboussure dans les yeux consulter un médecin.** Le liquide s'échappant des piles peut causer des irritations ou des brûlures.
- **Ne pas utiliser un bloc-piles ou un appareil endommagé ou modifié.** Les piles endommagées ou modifiées peuvent produire un comportement imprévisible pouvant provoquer un incendie, une explosion ou des blessures.
- **Ne pas exposer le bloc-piles ou l'appareil près d'un incendie ou à une température extrême.** L'exposition à un incendie ou à une température supérieure à 130 °C (265 °F) représente un risque d'explosion.
- **Suivre toutes les instructions afférentes à la recharge et ne pas recharger le bloc-piles ou l'appareil hors des températures spécifiées dans les instructions.** Une recharge incorrecte ou hors des températures spécifiées peut endommager la pile et augmenter les risques de feu.

DÉPANNAGE

- **Les réparations doivent être confiées à un technicien qualifié, utilisant exclusivement des pièces identiques à celles d'origine.** Ceci assurera le maintien de la sécurité de l'appareil.
- **Ne réparez jamais de blocs-piles endommagés.** Seuls le fabricant et les fournisseurs de service autorisés doivent effectuer la réparation ou l'entretien des blocs-piles.

RÈGLES DE SÉCURITÉ PARTICULIÈRES

- **Apprendre à connaître l'outil.** Lire attentivement le manuel d'utilisation. Apprendre les applications et les limites de l'outil, ainsi que les risques spécifiques relatifs à son utilisation. Le respect de cette consigne réduira les risques d'incendie, de choc électrique et de blessures graves.
- **Toujours porter une protection oculaire avec écrans latéraux certifiée conforme à la norme ANSI Z87.1 lors de l'utilisation de ce produit.**
- **S'assurer que la poignée est montée conformément aux instructions de montage qui figurent dans ce guide.**
- **Porter des vêtements appropriés** – Ne porter ni vêtements amples, ni bijoux. Ils peuvent être pris dans les parties en mouvement. On recommande d'utiliser des gants de caoutchouc et des chaussures solides pour le travail à l'extérieur. Porter des pantalons longs, manches longue, des chaussures et des gants épais. Ne pas porter de shorts, sandales et ne pas travailler pieds nus. Ne porter aucun bijou. Attacher les cheveux longs pour les maintenir au-dessus des épaules, afin qu'ils ne se prennent pas dans les pièces en mouvement.

- **La poussée du balai est une force réactionnelle qui se produit quand les brosses rotatives entrent en contact avec la surface à nettoyer.** Ce contact permet au nettoyeur de patio de se pousser lui-même vers l'utilisateur alors que les brosses commencent à tourner. Cette réaction peut être assez violente pour faire perdre le contrôle de l'outil. La poussée du balai peut se produire sans avertissement, mais il y a plus de chances qu'elle se produise lorsque les brosses rotatives sont placées trop rapidement sur la surface à nettoyer. Afin de minimiser la réaction de poussée, bien tenir l'appareil avec les deux mains et abaisser lentement les brosses rotatives sur la surface à nettoyer.
- **Ne pas utiliser le nettoyeur de patio à moins que le déflecteur soit bien en place et en bon état.**
- **Se tenir bien campé et en équilibre.** Ne pas travailler hors de portée. Le travail hors de portée risque de faire perdre l'équilibre.
- **Pendant l'utilisation, les brosses rotatives repousseront la poussière et les débris loin de l'utilisateur.** Éviter




RÈGLES DE SÉCURITÉ PARTICULIÈRES

d'utiliser le nettoyeur de patio dans un sens qui enverra la poussière ou les débris sur les gens ou les animaux. Les débris ou autres objets projetés peuvent causer des blessures graves.












- **Ranger le nettoyeur de patio au repos à l'intérieur** — Lorsqu'il n'est pas utilisé, le nettoyeur de patio devrait être rangé à l'intérieur dans un endroit sec et verrouillé— débranché et hors de la portée des enfants.
- **Ne jamais utiliser le nettoyeur de patio à proximité de flammes, d'un foyer, de cendres chaudes, d'un grill, etc.** Ne pas respecter cette directive peut faire en sorte que les flammes se propagent, ce qui peut causer des blessures ou des dommages à la propriété.
- **Ne jamais utiliser le nettoyeur de patio pour répandre des produits chimiques, des fertilisants ou toute autre substance toxique.** Le fait de répandre ces substances peut faire en sorte d'infliger des blessures à l'utilisateur ou à des tierces personnes.
- **Examiner la zone de travail avant chaque utilisation.** Débarrasser tous les objets tels que cailloux, verre brisé, clous, fils métalliques, cordes, etc. risquant d'être éjectés ou de se prendre dans la machine.
- **Utiliser seulement le nettoyeur de patio sur des surfaces planes et horizontales.** Ne jamais soulever le nettoyeur de patio de la surface de nettoyage pendant son utilisation.
- **Ne jamais utiliser le accessoire balai sur un toit ou d'autres surfaces instables pour éviter les blessures graves ou mortelles.**
- **Pour usage domestique seulement.**
- **N'éjectez jamais du matériel en direction de quelqu'un.** Évitez d'éjecter le matériel sur un mur ou une obstruction. Le matériel pourrait être projeté par ricochet en direction de l'opérateur. Arrêtez le nettoyeur de patio quand vous traversez des surfaces recouvertes de gravier ou rocailleuses.
- **Si le nettoyeur de patio frappe un objet étranger, suivez ces étapes:**
 - Relâcher la gâchette et attendre que l'appareil s'arrête complètement.
 - Débrancher le fil de la bougie, débrancher de la prise secteur ou retirer le bloc-piles.
 - Inspectez attentivement le nettoyeur de patio pour desceller les dommages.
 - Réparez tout dommage avant de démarrer et de continuer à utiliser le nettoyeur de patio.
- **Faire uniquement fonctionner le nettoyeur de patio conformément aux instructions d'utilisation dans ce manuel d'utilisation.**
- **Ne jamais utiliser la nettoyeur de patio près de vos pieds.** Garder le nettoyeur de patio à une distance minimale de 304,80 mm (douze pouces) de vos pieds en tout temps.
- **Ne pas toucher les brosses rotatives pendant l'utilisation.**
- **Les brosses rotatives peuvent causer des blessures alors qu'elles continuent de tourner après l'arrêt du moteur ou lorsqu'on relâche la gâchette de ralenti.**
- **Remplacer immédiatement les brosses endommagées.** Les brosses endommagées peuvent causer des vibrations excessives, un déséquilibre ou une difficulté à manier l'outil. Toujours s'assurer que les brosses sont bien installées et fixées avant chaque utilisation. Ne pas le faire peut causer des blessures graves.
- **N'utiliser que les brosses de remplacement du fabricant avec cet outil.** Ne pas utiliser tout autre type de brosse. Installer une autre marque de brosse sur cet outil peut causer des blessures graves.
- **Toujours arrêter le moteur avant de faire tout ajustement, de changer les accessoires ou d'entreposer le nettoyeur de patio.** De telles mesures de sécurité réduisent le risque de démarrer accidentellement le balai.
- **Ne pas utiliser un appareil alimenté par pile sous la pluie.**
- **Les outils fonctionnant sur piles n'ayant pas besoin d'être branchés sur une prise secteur, ils sont toujours en état de fonctionnement.** Tenir compte des dangers possibles lorsque l'outil n'est pas en usage et lors du remplacement des piles. Le respect de cette consigne réduira les risques d'incendie, de choc électrique et de blessures graves.
- **Ne pas placer les outils électriques sans fil ou leurs piles à proximité de flammes ou d'une source de chaleur.** Ceci réduira les risques d'explosion et de blessures.
- **Ne pas écraser, faire tomber ou endommager le bloc-piles. Ne jamais utiliser un bloc-piles ou un chargeur qui est tombé, a été écrasé, a reçu un choc violent ou a été endommagé de quelque façon que ce soit.** Une pile endommagée risque d'exploser. Éliminer immédiatement toute pile endommagée, selon une méthode appropriée.
- **Les piles peuvent exploser en présence d'une source d'allumage, telle qu'une veilleuse.** Pour réduire les risques de blessures graves, ne jamais utiliser un appareil sans fil, quel qu'il soit, en présence d'une flamme vive. En explosant, une pile peut projeter des débris et des produits chimiques. En cas d'exposition, rincer immédiatement les parties atteintes avec de l'eau.
- **Ne pas recharger un outil fonctionnant sur piles dans un endroit humide ou mouillé. Ne pas utiliser, remiser ou charger le bloc-piles ou produits dans des emplacements où la température est inférieure 10 °C (50 °F) à ou supérieure à 38 °C (100 °F).** Ne pas ranger l'outil à l'extérieur ou dans un véhicule.
- **Si l'outil est utilisé de façon intensive ou sous des températures extrêmes, des fuites de pile peuvent se produire.** En cas de contact du liquide avec la peau, rincer immédiatement la partie atteinte avec de l'eau. En cas d'éclaboussure dans les yeux, les rincer à l'eau fraîche pendant au moins 10 minutes, puis contacter immédiatement un médecin. Le respect de cette règle réduira les risques de blessures graves.
- **Conserver ces instructions.** Les consulter fréquemment et les utiliser pour instruire les autres utilisateurs éventuels. Si cet outil est prêté, il doit être accompagné de ces instructions.

SYMBOLES

Les termes de mise en garde suivants et leur signification ont pour but d'expliquer le degré de risques associé à l'utilisation de ce produit.

SYMBOLE	SIGNAL	SIGNIFICATION
	DANGER:	Indique une situation dangereuse qui, si elle n'est pas évitée, aura pour conséquences des blessures graves ou mortelles.
	AVERTISSEMENT :	Indique une situation dangereuse qui, si elle n'est pas évitée, pourrait entraîner des blessures graves ou mortelles.
	ATTENTION :	Indique une situation dangereuse qui, si elle n'est pas évitée, pourrait entraîner des blessures légères ou de gravité modérée.
	AVIS :	(Sans symbole d'alerte de sécurité) Indique les informations jugées importantes sans toutefois représenter un risque de blessure (ex. : messages concernant les dommages matériels).

Certains des symboles ci-dessous peuvent être utilisés sur produit. Veiller à les étudier et à apprendre leur signification. Une interprétation correcte de ces symboles permettra d'utiliser produit plus efficacement et de réduire les risques.

SYMBOLE	NOM	DÉSIGNATION / EXPLICATION
	Symbole d'alerte de sécurité	Indique un risque de blessure potentiel.
	Lire manuel d'utilisation	Pour réduire les risques de blessures, l'utilisateur doit lire et veiller à bien comprendre le manuel d'utilisation avant d'utiliser ce produit.
	Porter une protection oculaire et auditive	Toujours porter une protection oculaire certifiée conforme à la norme ANSI Z87.1 ainsi qu'une protection auditive.
	Avertissement concernant l'humidité	Ne pas exposer l'outil à la pluie ni à l'humidité.
	Symbole de recyclage	Ce produit utilise les piles de lithium-ion (Li-ion). Les réglementations locales ou gouvernementales peuvent interdire de jeter les piles dans les ordures ménagères. Consulter les autorités locales compétentes pour les options de recyclage et/ou l'élimination.
	Ricochet	Les objets projetés peuvent ricocher et infliger des blessures ou causer des dommages matériels.
	Tenir les enfants et les curieux à bonne distance	Tenir les enfants et les curieux à une distance de 15,25 m (50 pi) au moins.
	Poussée de la brosse	La réaction de poussée générée quand les brosses rotatives entrent en contact avec le sol.
	Gants	Porter des gants épais antidérapants lors de l'utilisation de la scie à chaîne.
	Chaussures de sécurité	Porter des chaussures de travail à semelle antidérapante lors de l'utilisation de l'outil.
	Garder les mains et les pieds à l'écart	Tenir les mains et les pieds loin des brosses rotatives.

SYMBOLES

Certains des symboles ci-dessous peuvent être utilisés sur produit. Veiller à les étudier et à apprendre leur signification. Une interprétation correcte de ces symboles permettra d'utiliser produit plus efficacement et de réduire les risques.

SYMBOLE	NOM	DÉSIGNATION / EXPLICATION
—	Courant continu	Type ou caractéristique du courant
V	Volts	Tension

CARACTÉRISTIQUES

FICHE TECHNIQUE

Moteur 18 V c.c.
Largeur totale du balai..... 160,02 mm (6,3 po)

Longueur du balai..... 25,4 mm (1 po)
Diamètre du balai 101,6 mm (4 po)

APPRENDRE À CONNAÎTRE VOTRE NETTOYEUR DE PATIO

Voir la figure 1.

La sécurité d'utilisation de ce produit exige la compréhension des informations apposées sur le produit et contenues dans ce manuel d'utilisation, ainsi que la connaissance du travail à exécuter. Avant d'utiliser ce produit, se familiariser avec toutes ses fonctions et règles de sécurité.

VERROUILLAGE

Le verrouillage prévient les démarrages accidentels.

FLÈCHE TÉLESCOPIQUE

Le nettoyeur de patio peut être réglée sur différents points d'extension pour faciliter l'utilisation.

POIGNÉE ARRIÈRE AVEC SURMOULAGE

Le poignée arrière avec surmoulage procure un confort d'utilisation plus grand.

BROSSE ROTATIVE

La brosse rotative facilite le nettoyage de diverses surfaces extérieures plates comme les patios et les terrasses.

ASSEMBLAGE

DÉBALLAGE

Ce produit nécessite un assemblage.

- Avec précaution, sortir l'produit et les accessoires de la boîte. S'assurer que toutes les pièces figurant sur la liste de contrôle sont incluses.

AVERTISSEMENT :

Ne pas utiliser le produit si, en le déballant, vous constatez que des éléments figurant dans la **Liste de contrôle d'expédition** sont déjà assemblés. Certaines pièces figurant sur cette liste n'ont pas été assemblées par le fabricant et exigent une installation. Le fait d'utiliser un produit qui a été assemblé de façon inadéquate peut entraîner des blessures.

- Examiner soigneusement l'produit pour s'assurer que rien n'a été brisé ou endommagé en cours de transport.
- Ne pas jeter les matériaux d'emballage avant d'avoir soigneusement examiné l'produit et avoir vérifié qu'il fonctionne correctement.
- Si des pièces manquent ou sont endommagées, appeler le 1-800-525-2579.

LISTE DE CONTRÔLE D'EXPÉDITION

Nettoyeur de patio
Poignée avant
Ensemble de déflecteur et bouchon gauche
Bouchon droit
Brosses rotatives
Manuel d'utilisation

AVERTISSEMENT :

Si des pièces manquent ou sont endommagées, ne pas utiliser cet produit avant qu'elles aient été remplacées. Le non-respect de cet avertissement pourrait entraîner des blessures graves.

ASSEMBLAGE

AVERTISSEMENT :

Ne pas essayer de modifier cet produit ou de créer des accessoires non recommandés pour l'produit. De telles altérations ou modifications sont considérées comme un usage abusif et peuvent créer des conditions dangereuses, risquant d'entraîner des blessures graves.

AVERTISSEMENT :

Toujours retirer le bloc-piles du produit lors de l'assemblage des pièces pour prévenir le démarrage accidentel pouvant causer des blessures graves.

INSTALLATION ET RETRAIT DE L'ENSEMBLE DE BROSE ROTATIVE

Voir les figures 2 à 4.

- Retirer le bloc de piles.
- Positionner l'ensemble de déflecteur et bouchon gauche sur le côté de la tête du moteur.
- Pousser l'ensemble de déflecteur et bouchon gauche sur la tête du moteur jusqu'à ce qu'il s'enclenche en place.
- Glisser la brose rotative sous le déflecteur et sur l'arbre du bouchon gauche.

- Positionner le bouchon droit sur le côté de la tête du moteur.
- Tourner le déflecteur jusqu'à ce qu'il s'aligne sur le bouchon droit.
- Pousser le bouchon droit sur la tête du moteur jusqu'à ce que l'arbre passe au centre de la brosse et que le bouchon s'enclenche en place.

Pour retirer la brose rotative :

- Appuyer sur le loquet du bouchon droit et retirer de la tête du moteur.
- Glisser la brose rotative hors de l'appareil.

INSTALLATION DE LA POIGNÉE AVANT

Voir le figure 5.

La poignée avant doit être utilisée pour assurer une meilleure maîtrise et optimiser la sécurité de l'opérateur lors de l'utilisation de cet appareil.

- Desserrer et retirer l'écrou à oreilles et la boulon de la poignée.
- Installez la poignée sur l'arbre du bloc moteur à l'endroit indiqué sur l'étiquette située sur l'arbre.
- Ajuster la poignée vers le haut ou vers le bas, si nécessaire, à la position d'opération désirée.
- Réinstaller la boulon et l'écrou à oreilles. Serrer l'écrou à oreilles de manière à le fixer solidement.

UTILISATION

AVERTISSEMENT :

Ne pas laisser la familiarité avec l'outil faire oublier la prudence. Ne pas oublier qu'une fraction de seconde d'inattention peut entraîner des blessures graves.

AVERTISSEMENT :

Toujours porter une protection oculaire certifiée conforme à la norme ANSI Z87.1 ainsi qu'une protection auditive. Si cette précaution n'est pas prise, des objets peuvent être projetés dans les yeux et et d'autres lésions graves.

AVERTISSEMENT :

Ne pas utiliser d'outils ou accessoires non recommandés pour cet outil. L'utilisation de pièces et accessoires non recommandés peut entraîner des blessures graves.

AVERTISSEMENT :

Tenir les mains, pieds ou toute autre partie du corps ou des vêtements éloignés des brose rotative ou toute autre pièce en mouvement. La brose tournera dès que l'on appuie sur le bouton de verrouillage et que l'interrupteur à gâchette est relâché. La brose continue à tourner jusqu'à ce que la gâchette de commutateur soit relâchée. Le contact avec les dents peut causer des blessures graves.

AVERTISSEMENT :

Toujours retirer le bloc-piles de l'outil au moment d'assembler des pièces, d'effectuer des réglages et de procéder au nettoyage, ou lorsque l'outil n'est pas utilisé. Le fait de retirer le bloc-piles permet d'empêcher un démarrage accidentel pouvant entraîner des blessures graves.

AVIS :

Avant chaque utilisation, inspecter au complet le produit afin de s'assurer qu'aucune pièce (vis, écrous, boulons, chapeaux, etc.) n'est endommagée, manquante ou desserrée. Serrer solidement toutes les pièces de fixation et les chapeaux et ne pas utiliser le produit tant que toutes les pièces manquantes ou endommagées n'ont pas été remplacées. Pour obtenir de l'aide, veuillez communiquer avec le service à la clientèle ou un centre de réparations qualifié.

UTILISATION

APPLICATIONS

Cet produit peut être utilisé pour les application ci-dessous:

- Le balayage et l'enlèvement de la poussière, de l'herbe et d'autres débris des patios, des trottoirs et des allées

INSTALLATION/RETRAIT DU BLOC-PILES

Voir la figure 6.

- Insérer la pile dans l'outil comme illustré.
- S'assurer que les loquets de chaque côté de la pile s'enclenchent en place et que la pile est bien fixée à l'outil avant de mettre l'outil en marche.
- Relâcher les loquets pour retirer le bloc-piles.

AVERTISSEMENT :

Pour éviter des blessures graves, toujours retirer le bloc-piles et tenir à distance de mains le bouton de verrouillage en portant l'outil.

Pour prendre connaissance des consignes de chargement, consulter le manuel d'utilisation des piles et des chargeurs.

RÉGLAGE DE LA FLÈCHE TÉLESCOPIQUE

Voir la figure 7.

La perche peut être déployée ou rétractée pour en faciliter l'utilisation.

- Retirer le bloc-piles.
- Déverrouiller le coupleur.
- Ajuster la flèche vers le haut ou le bas pour trouver une position confortable pour tenir l'appareil.
- Remettre le coupleur en position verrouillée.

NOTE : S'assurer que le coupleur est bien verrouillé avant d'utiliser l'appareil.

MISE EN MARCHÉ ET ARRÊT DE L'APPAREIL

Voir la figure 8.

Pour démarrer:

- Maintenir le bouton de verrouillage enfoncé
- Appuyer sur la gâchette.
- Relâcher le bouton de verrouillage. Continuer à appuyer sur la gâchette pour une utilisation prolongée.

Pour arrêter :

- Relâcher la gâchette pour arrêter l'appareil.
- Lorsque la gâchette est relâchée, le bouton de verrouillage se réinitialisera automatiquement en position verrouillée.

UTILISATION DU NETTOYEUR DE PATIO

Voir les figures 9 et 10.

AVERTISSEMENT :

Ne jamais utiliser le nettoyeur de patio sur un toit ou d'autres surfaces instables pour éviter les blessures graves ou mortelles.

AVERTISSEMENT :

Ne pas porter de vêtements lâches, de foulards, ni de bijoux. Ils peuvent se coincer dans les pièces mobiles et occasionner des blessures graves ou mortelles.

AVERTISSEMENT :

S'assurer que la projection des débris soit pointée loin des appareils électriques afin de réduire le risque d'électrocution ou de décharge électrique.

AVERTISSEMENT :

Ne jamais orienter le nettoyeur de patio vers les gens ou les animaux. Les débris ou autres objets projetés peuvent causer des blessures graves.

Tenir le nettoyeur de patio avec la main droite sur la poignée arrière et la main gauche sur la poignée avant. Garder une prise ferme sur les deux poignées pendant le fonctionnement. Le nettoyeur de patio doit être tenue dans une position confortable, la poignée à gâchette trouvant à peu près à hauteur de la hanche. Se tenir bien campé et en équilibre sur les deux pieds. Se placer afin de ne pas être déséquilibré par la poussée de balai des brosses rotatives.

- Tenir compte de la direction du vent avant de commencer. Si possible, projeter les débris dans le sens du vent afin d'éviter que les débris soient projetés au visage de l'utilisateur.
- Travaillez dans la même direction. Démarrer le nettoyeur de patio et marcher lentement derrière lui, nettoyant en avançant. Ne pas tirer l'appareil vers soi pendant l'utilisation. Relâcher la la gâchette pour arrêter la rotation des brosses. Revenir au point de départ pour commencer le balayage d'une autre bande.

NOTE : Pour un nettoyage en profondeur, verser une petite quantité d'eau chaude savonneuse sur la surface nettoyante avant l'utilisation. **Ne pas utiliser l'appareil dans une flaque.**

AVERTISSEMENT :

Ne pas utiliser le nettoyeur de patio sur des obstacles surélevés. On peut endommager l'appareil si on percute un obstacle surélevé pendant l'utilisation. Si un contact se produit et cause des dommages ou des vibrations pendant l'utilisation du nettoyeur de patio, cesser l'utilisation. L'utilisation d'un appareil endommagé peut causer de graves blessures.

UTILISATION

AVERTISSEMENT :

Ne jamais toucher les brosses rotatives ou placer toute partie du corps devant le nettoyeur de patio alors que l'appareil est en marche, qu'il est branché ou que sa pile est installée. Toujours s'assurer que les pièces mobiles sont arrêtées et que le balai a été débranché, que le bloc-piles a été retiré ou que le fil de la bougie d'allumage a été débranché avant de nettoyer toute obstruction. Ne pas suivre ces instructions peut causer des blessures graves.

AVERTISSEMENT :

Ne jamais utiliser la balayeuse près de vos pieds. Garder la balayeuse à une distance minimale de 304,80 mm (douze pouces) de vos pieds en tout temps.

- S'assurer que les brosses rotatives se sont complètement arrêtées avant de déposer le balai.

ENTRETIEN

AVERTISSEMENT :

Pour empêcher un démarrage accidentel pouvant entraîner des blessures graves, toujours retirer le bloc-piles de l'outil avant tout nettoyage ou entretien.

AVERTISSEMENT :

Toujours porter une protection oculaire avec écrans latéraux certifiée conforme à la norme ANSI Z87.1. Si cette précaution n'est pas prise, des objets peuvent être projetés dans les yeux et causer des lésions graves.

AVERTISSEMENT :

Utiliser exclusivement des pièces d'origine pour les réparations. L'usage de toute autre pièce pourrait créer une situation dangereuse ou endommager l'outil.

AVIS :

Inspecter périodiquement au complet le produit afin de s'assurer qu'aucune pièce (vis, écrous, boulons, chapeaux, etc.) n'est endommagée, manquante ou desserrée. Serrer solidement toutes les pièces de fixation et les chapeaux et ne pas utiliser le produit tant que toutes les pièces manquantes ou endommagées n'ont pas été remplacées. Pour obtenir de l'aide, veuillez communiquer avec le Service à la clientèle ou un centre de réparations qualifié.

ENTRETIEN GÉNÉRAL

Éviter d'utiliser des solvants pour le nettoyage des pièces en plastique. La plupart des matières plastiques peuvent être endommagées par divers types de solvants du commerce. Utiliser un chiffon propre pour éliminer la saleté, la poussière, l'huile, la graisse, etc.

AVERTISSEMENT :

Ne jamais laisser de liquides tels que le fluide de freins, l'essence, les produits à base de pétrole, les huiles pénétrantes, etc., entrer en contact avec les pièces en plastique. Les produits chimiques peuvent endommager, affaiblir ou détruire le plastique, ce qui peut entraîner des blessures graves.

REMPLACEMENT DE LA BROSSE ROTATIVE

Voir les figures 3 et 4.

Après une longue utilisation, la brosse peut s'user et devoir être remplacée. Si l'accessoire de brosse est endommagé en raison d'une chute, il faudra peut-être le remplacer. Consulter la section **Installation et retrait de l'ensemble de brosse rotative** plus haut dans ce manuel.

Ce produit est accompagné d'une garantie limitée de trois (3) ans pour utilisation personnel, familiales ou domestiques (30 jours pour utilisation affaires ou commerciaux). Pour obtenir les détails de la garantie, visiter le site www.ryobitools.com ou appeler (sans frais) au 1-800-525-2579.

REGLAS DE SEGURIDAD GENERALES

ADVERTENCIA

Lea todas las advertencias, instrucciones, ilustraciones y especificaciones proporcionadas con este aparato. No seguir las instrucciones indicadas a continuación puede provocar descargas eléctricas, incendios o lesiones graves.

Guarde todas las advertencias e instrucciones para consultarlas en el futuro. El término “aparato” en las advertencias se refiere a los aparatos que funcionan con corriente (con cordón) o las que funcionan con batería (inalámbricas).

ÁREA DE TRABAJO

- **Mantenga limpia y bien iluminada el área de trabajo.** Un área de trabajo mal despejada o mal iluminada propicia accidentes.
- **No utilice herramientas motorizadas en atmósferas explosivas, como las existentes alrededor de líquidos, gases y polvos inflamables.** Los aparatos generan chispas que pueden encender el polvo y los vapores inflamables.
- **Mantenga alejados a los niños y circunstantes al maniobrar un aparato.** Toda distracción puede causar la pérdida del control de la herramienta.

SEGURIDAD ELÉCTRICA

- **Evite el contacto del cuerpo con las superficies de objetos conectados a tierra, como las tuberías, radiadores, estufas y refrigeradores.** Existe un mayor riesgo de descargas eléctricas si el cuerpo está haciendo tierra.
- **No exponga los aparatos a la lluvia ni a condiciones de humedad.** La introducción de agua en un aparato aumenta el riesgo de descargas eléctricas.
- **Usar este producto únicamente con la baterías y el cargadores indicados en el folleto de la herramienta/aparato/paquete de baterías/cargador complementario 987000-432.**

SEGURIDAD PERSONAL

- **Permanezca alerta, preste atención a lo que esté haciendo y aplique el sentido común al utilizar aparatos. No utilice el aparato si está cansado o se encuentra bajo los efectos de alguna droga, alcohol o medicamento.** Un momento de inatención al utilizar un aparato puede causar lesiones corporales serias.
- **Utilice protección el equipo otros. Siempre póngase protección ocular.** El uso de equipo protector como mascarilla para el polvo, calzado de seguridad, casco y protección para los oídos en las circunstancias donde corresponda disminuye el riesgo de lesiones.
- **Mantenga todas las partes del cuerpo alejadas de cualquier pieza móvil.**
- **Evite que la herramienta se active accidentalmente. Asegúrese de que el interruptor esté en la posición de apagado antes de conectarlo a la toma de alimentación o a la batería, al levantar o mover la herramienta.**

Transportar herramientas eléctricas con el dedo en el interruptor o enchufar herramientas eléctricas que tienen el interruptor encendido puede ocasionar accidentes.

- **Retire toda llave o herramienta de ajuste antes de encender el aparato.** Toda llave o herramienta de ajuste dejada en una pieza giratoria de el aparato puede causar lesiones.
- **No estire el cuerpo para alcanzar mayor distancia. Mantenga una postura firme y buen equilibrio en todo momento.** De esta manera se logra un mejor control de el aparato en situaciones inesperadas.
- **Vístase adecuadamente. No vista ropas holgadas ni joyas. Mantenga el cabello y la ropa alejados de las piezas móviles.** Las ropas holgadas y las joyas, así como el cabello largo, pueden engancharse en las piezas móviles o atraídas hacia el interior de las aberturas de ventilación.
- **Si se suministran dispositivos para conectar mangueras de extracción y captación de polvo, asegúrese de que éstas estén bien conectadas y se usen correctamente.** El uso de la captación de polvo puede reducir los peligros relacionados con éste.
- **No permita que la familiaridad obtenida por el uso frecuente de las herramientas lo vuelva complaciente e ignore los principios de seguridad de las herramientas.** Una acción descuidada puede causar lesiones graves en una fracción de segundo.
- **No utilice la unidad al estar en una escalera o en un soporte inestable.** Una postura estable sobre una superficie sólida permite un mejor control de el aparato en situaciones inesperadas.

EMPLEO Y CUIDADO DE EL APARATO

- **No fuerce el aparato. Utilice el aparato adecuada para cada trabajo.** El aparato adecuada efectúa mejor y de manera más segura el trabajo, si además se maneja a la velocidad para la que está diseñada.
- **No utilice la herramienta si el interruptor no enciende o no apaga.** Cualquier aparato que no pueda controlarse con el interruptor es peligrosa y debe repararse.
- **Desconecte el enchufe de la fuente de alimentación o retire el paquete de baterías, si es desmontable, de el aparato antes de realizar ajustes, cambiar accesorios o almacenar herramientas eléctricas.** Tales medidas preventivas de seguridad reducen el riesgo de poner en marcha accidentalmente la herramienta.
- **Guarde los aparatos desocupadas fuera del alcance de los niños y no permita que los niños o las utilicen personas no familiarizadas con las mismas o con estas instrucciones.** Los aparatos son peligrosas en manos de personas no capacitadas en el uso de las mismas.
- **Mantenimiento de los aparatos y accesorios. Revise para ver si hay desalineación o atoramiento de piezas móviles, ruptura de piezas o toda otra condición que pueda afectar el funcionamiento de el aparato. Si está dañada el aparato, permita que la reparen antes de usarla.**

REGLAS DE SEGURIDAD GENERALES

Numerosos accidentes son causados por herramientas eléctricas mal cuidadas.

- **Inspeccione la unidad antes de cada uso en busca de tornillos sueltos y piezas dañadas o faltantes.** Corrija los problemas antes de usar el limpiador de patio. De lo contrario, puede sufrir lesiones graves.
- **Use el aparato, los accesorios, las brocas, etc. según estas instrucciones, teniendo en cuenta las condiciones de trabajo y la tarea que se va a realizar.** Si se utiliza el aparato para operaciones diferentes de las indicadas podría originar una situación peligrosa.
- **No utilice bajo ninguna circunstancia ningún accesorio en este producto que no se haya proporcionado con él o que no esté identificado como apropiado para usar con él en el manual del operador.**
- **Mantenga los mangos y superficies de agarre limpias y libres de aceite y grasa.** Los mangos y superficies de agarre resbalosas no permiten la manipulación y control seguro de la herramienta en situaciones inesperadas.

EMPLEO Y CUIDADO DE LA HERRAMIENTA DE BATERÍAS

- **Sólo cargue el paquete de baterías con el cargador especificado por el fabricante.** Un cargador adecuado para un tipo paquete de baterías puede significar un riesgo de incendio si se emplea con un paquete de baterías diferente.
- **Utilice los aparatos sólo con los paquetes de baterías específicamente indicados.** El empleo de paquetes de baterías diferentes puede presentar un riesgo de incendio.
- **Cuando no esté utilizándose el paquete de baterías, manténgalo lejos de otros objetos metálicos, como clips, monedas, llaves, clavos, tornillos o otros objetos**

metálicos, pequeños que puedan establecer conexión entre ambas terminales. Establecer una conexión directa entre las dos terminales de las baterías puede causar quemaduras o incendios.

- **Si se maltratan las baterías, puede derramarse líquido de las mismas; evite todo contacto con éste. En caso de contacto, lávese con agua. Si el líquido llega a tocar los ojos, además busque atención médica.** El líquido de las baterías puede causar irritación y quemaduras.
- **No utilice un paquete de baterías o una herramienta que esté dañado o modificado.** Las baterías dañadas o modificadas pueden tener un funcionamiento impredecible que provoque incendios, explosiones o riesgo de lesiones.
- **No exponga el paquete de baterías o una herramienta al fuego o a temperaturas excesivas.** La exposición al fuego o a temperatura sobre los 130 °C (265 °F) puede provocar explosiones.
- **Siga todas las instrucciones de carga y no cargue el paquete de baterías ni la herramienta fuera del rango de temperaturas especificado en las instrucciones.** Si realiza la carga en forma incorrecta o fuera de las temperaturas del rango especificado puede dañar la batería y aumentar el riesgo de incendios.

SERVICIO

- **Permita que un técnico de reparación calificado preste servicio a el aparato, y sólo con piezas de repuesto idénticas.** De esta manera se mantiene la seguridad de el aparato.
- **Nunca repare paquetes de baterías dañados.** La reparación de paquetes de baterías solo puede ser realizada por el fabricante o proveedores de servicio autorizados.

REGLAS DE SEGURIDAD ESPECÍFICAS

- **Familiarícese con su herramienta eléctrica.** Lea cuidadosamente el manual del operador. Aprenda sus usos y limitaciones, así como los posibles peligros específicos de esta herramienta eléctrica. Con el cumplimiento de esta regla se reduce el riesgo de una descarga eléctrica, incendio o lesión seria.
- **Siempre utilice protección ocular con protección lateral con la marca de cumplimiento de la norma ANSI Z87.1, junto con protección auditiva cuando utilice este equipo.**
- **Asegúrese de que el mango ha sido montado de acuerdo a las instrucciones de montaje en este manual.**
- **Vístase adecuadamente** – Se recomienda el uso de guantes de goma y un calzado resistente cuando se trabaja a la intemperie. Póngase pantalones largos de tela gruesa, mangas largas, botas y guantes. No utilice prendas holgadas ni lleve joyas ni ningún otro elemento que pudiera quedar atrapado en las piezas móviles. Recójase el cabello largo arriba del nivel de los hombros para evitar que se enrede en las piezas móviles.




- **El empuje de los cepillos es una fuerza de reacción que tiene lugar cuando los cepillos giratorios hacen contacto con la superficie de limpieza.** Este contacto hace que el limpiador de patio “empuje” hacia el operador a medida que los cepillos comienzan a girar. Esta reacción puede ser de violencia suficiente para causar que el operador pierda el control de la unidad. El empuje de los cepillos puede producirse de manera inesperada, pero es más común cuando los cepillos giratorios se colocan sobre la superficie de limpieza demasiado rápido. Para minimizar la reacción de empuje, sostenga la unidad de forma segura con ambas manos y coloque los cepillos giratorios lentamente sobre la superficie de limpieza.
- **No opere el limpiador de patio, a menos que el deflector esté colocado de manera segura y en buenas condiciones.**
- **Mantenga los pies bien afirmados y el equilibrio.** No trate de alcanzar demasiado lejos. Se puede perder el equilibrio al tratar de alcanzar demasiado lejos.

REGLAS DE SEGURIDAD ESPECÍFICAS












- **Durante el uso, los cepillos giratorios arrojarán suciedad y desechos hacia afuera.** No opere el limpiador de patio en una dirección que haga que la suciedad y los desechos salpiquen a personas o mascotas. Los desechos u otros objetos arrojados podrían producir lesiones personales graves.
- **Guarde el limpiador de patio apagado en un lugar cerrado.** Cuando no esté en uso, enciérrelo desenchufado en un lugar seco y alejado de los niños.
- **Nunca utilice el limpiador de patio cerca del fuego, chimeneas, cenizas al rojo vivo, asadores, etc.** El uso cerca del fuego o las cenizas calientes puede propagar incendios y producir lesiones serias y/o daños a los bienes.
- **Nunca utilice el limpiador de patio para esparcir productos químicos, fertilizantes ni ninguna otra sustancia tóxica.** Esparcir estas sustancias podría producir lesiones serias al operador o a las personas presentes.
- **Revise el área de trabajo cada vez antes de usar la unidad.** Retire todos los objetos como piedras, vidrio roto, clavos, alambre o cuerda que puedan salir disparados o enredarse en la máquina.
- **Solo use el limpiador de patio en superficies planas y horizontales.** Nunca eleve el limpiador de patio de la superficie de limpieza mientras opere la unidad.
- **Nunca utilice el limpiador de patio en el techo o en cualquier otra superficie inestable, ya que puede provocar lesiones personales graves o la muerte.**
- **Para uso doméstico únicamente.**
- **Nunca dirija el material descargado hacia una persona.** Evite descargar el material contra una pared u obstrucción. El material puede rebotar hacia el operador. Detenga el limpiador de patio cuando cruce por superficies de grava o rocosas.
- **Si el limpiador de patio golpea un objeto extraño, siga estos pasos:**
 - Suelte el gatillo del interruptor y espere hasta que la unidad se detenga por completo.
 - Desconecte el cable de la bujía, desconecte la unidad del suministro de corriente o retire el paquete de baterías.
 - Inspeccione minuciosamente el limpiador de patio para ver si tiene daños.
 - Repare todo daño antes de volver a arrancar el limpiador de patio y continuar utilizándola.
- **Utilice el limpiador de patio únicamente conforme a las instrucciones especiales para su uso que se proporcionan en el manual del operador.**
- **Nunca use el limpiador de patio cerca de los pies.** Mantenga una distancia mínima de 304,80 mm (12 pulg.) con respecto a los pies en todo momento.
- **No toque los cepillos giratorios durante el funcionamiento.**
- **El giro de los cepillos en punto muerto podría producir lesiones después de que el motor se haya detenido o se suelte el gatillo de aceleración.**
- **Reemplace los cepillos giratorios de inmediato.** Los cepillos dañados podrían hacer que la herramienta vibre de manera excesiva, pierda el equilibrio o sea difícil de controlar. Siempre asegúrese de que los cepillos estén instalados correctamente y sujetos de forma segura antes de cada uso. Si no lo hace, podrían producirse lesiones graves.
- **Use solamente cepillos de repuesto del fabricante destinados a usar con la herramienta.** No use otros cepillos. Si instala cepillos de otra marca en la herramienta, podrían producirse lesiones personales graves.
- **Siempre detenga el motor antes de realizar ajustes, cambiar accesorios o guardar el limpiador de patio.** Estas medidas de seguridad preventivas reducen el riesgo de que el limpiador de patio se encienda de forma accidental.
- **No use aparatos accionados por baterías en la lluvia.**
- **No se necesita conectar a una toma de corriente las herramientas de baterías; por lo tanto, siempre están en condiciones de funcionamiento.** Esté consciente de los posibles peligros cuando no esté usando la herramienta de baterías o cuando esté cambiando los accesorios de la misma. Con el cumplimiento de esta regla se reduce el riesgo de una descarga eléctrica, incendio o lesión corporal seria.
- **No coloque herramientas de baterías ni las baterías mismas cerca del fuego o del calor.** De esta manera se reduce el riesgo de explosiones y de lesiones.
- **No aplaste, deje caer o dañe de baterías.** Nunca utilice una batería o cargador que se ha caído, aplastado, recibido un golpe contundente o ha sido dañado(a) de alguna manera. Las baterías dañadas pueden sufrir explosiones. Deseche de inmediato toda batería que haya sufrido una caída o cualquier daño.
- **Las baterías pueden explotar en presencia de fuentes de inflamación, como los pilotos de gas.** Para reducir el riesgo de lesiones serias, nunca use un producto inalámbrico en presencia de llamas expuestas. La explosión de una batería puede lanzar fragmentos y compuestos químicos. Si ha quedado expuesto a la explosión de una batería, lávese de inmediato con agua.
- **No cargue herramientas de baterías en lugares mojados o húmedos. No lo utilice, guarde o cargue la paquete de baterías o la unidad en lugares donde la temperatura sea inferior a 10 °C (50 °F) o superior a 38 °C (100 °F).** No guarde la herramienta a la intemperie ni en el interior de vehículos.
- **En condiciones extremas de uso o temperatura las baterías pueden emanar líquido. Si el líquido llega a tocarle la piel, lávese de inmediato con agua y jabón. Si le entra líquido en los ojos, láveselos con agua limpia por lo menos 10 minutos, y después busque de inmediato atención médica.** Con el cumplimiento de esta regla se reduce el riesgo de lesiones corporales serias.
- **Guarde estas instrucciones.** Consúltelas con frecuencia y empléelas para instruir a otras personas que puedan utilizar esta herramienta. Si presta a alguien esta herramienta, facilíttele también las instrucciones.

SÍMBOLOS

Las siguientes palabras de señalización y sus significados tienen el objeto de explicar los niveles de riesgo relacionados con este producto.

SÍMBOLO	SEÑAL	SIGNIFICADO
	PELIGRO:	Indica una situación peligrosa, la cual, si no se evita, causará la muerte o lesiones serias.
	ADVERTENCIA:	Indica una situación peligrosa, la cual, si no se evita, podría causar la muerte o lesiones serias.
	PRECAUCIÓN:	Indica una situación peligrosa la cual, si no se evita, puede causar lesiones leves o moderadas.
	AVISO:	(Sin el símbolo de alerta de seguridad) Indica la información que se considera importante, pero no relacionada con lesiones potenciales (por ej. en relación a daños a la propiedad).

Es posible que se empleen en este producto algunos de los siguientes símbolos. Le suplicamos estudiarlos y aprender su significado. Una correcta interpretación de estos símbolos le permitirá utilizar mejor y de manera más segura el producto.

SÍMBOLO	NOMBRE	DENOMINACIÓN/EXPLICACIÓN
	Alerta de seguridad	Indica un peligro posible de lesiones personales.
	Lea manual del operador	Para reducir el riesgo de lesiones, el usuario debe leer y comprender el manual del operador antes de usar este producto.
	Protección para los ojos y oídos	Siempre utilice protección ocular con protección lateral con la marca de cumplimiento de la norma ANSI Z87.1, junto con protección auditiva.
	Alerta de condiciones húmedas	No exponga el producto a la lluvia ni lo utilice en lugares húmedos.
	Símbolo de reciclado	Este producto utiliza baterías de iones de litio (Li-ion). Es posible que algunas leyes municipales, estatales o federales prohíban desechar las baterías en la basura normal. Consulte a las autoridades reguladoras de desechos para obtener información en relación con las alternativas de reciclado y desecho disponibles.
	Rebote	Cualquier objeto lanzado puede rebotar y producir lesiones personales o daños físicos.
	Mantenga alejadas a las personas presentes	Mantenga alejados a los observadores a un mínimo de 15 m (50 pies) de distancia.
	Empuje de los cepillos	Reacción de empuje generada cuando los cepillos giratorios hacen contacto con el suelo.
	Póngase guantes	Al manejar la motosierra póngase guantes protectores antideslizantes de uso pesado.
	Póngase calzado de seguridad	Cuando utilice este equipo póngase zapatos de seguridad antideslizantes.
	Mantenga las manos y los pies alejados	Mantenga las manos y los pies alejados de los cepillos giratorios.

SYMBOLS

Es posible que se empleen en este producto algunos de los siguientes símbolos. Le suplicamos estudiarlos y aprender su significado. Una correcta interpretación de estos símbolos le permitirá utilizar mejor y de manera más segura el producto.

SÍMBOLO	NOMBRE	DENOMINACIÓN/EXPLICACIÓN
—	Corriente continua	Tipo o característica de corriente
V	Volts	Voltaje

CARACTERÍSTICAS

ESPECIFICACIONES DEL PRODUCTO

Motor 18 V DC
Ancho total de limpieza 160,02 mm (6,3 pulg.)

Longitud de los cepillos 25,4 mm (1 pulg.)
Diámetro de los cepillos 101,6 mm (4 pulg.)

CONOZCA EL LIMPIADOR DE PATIO

Vea la figura 1.

Para usar este producto con la debida seguridad se debe comprender la información indicada en la herramienta misma y en este manual, y se debe comprender también el trabajo que intenta realizar. Antes de usar este producto, familiarícese con todas las características de funcionamiento y normas de seguridad del mismo.

BRAZO TELESCÓPICO

El limpiador de patio se puede ajustar a diferentes puntos de extensión para facilitar su uso.

MANGO TRASERO CON SOBREMOLDEADO

El mango trasero con sobremoldeado proporciona mayor comodidad para el operador.

CEPILLO GIRATORIO

El cepillo giratorio facilita la limpieza de una variedad de superficies exteriores planas, como patios y terrazas.

BOTÓN DEL SEGURO

El botón del seguro evita los arranques accidentales.

ARMADO

DESEMPAQUETADO

Este producto requiere armarse.

- Extraiga cuidadosamente de la caja la producto y los accesorios. Asegúrese de que estén presentes todos los artículos enumerados en la lista de empaquetado.



ADVERTENCIA:

No utilice este producto si alguna pieza incluida en la **Lista de empaquetado** ya está ensamblada al producto cuando lo desempaqueta. El fabricante no ensambla las piezas de esta lista en el producto. Éstas deben ser instaladas por el usuario. El uso de un producto que puede haber sido ensamblado de forma inadecuada podría causar lesiones personales graves.

- Inspeccione cuidadosamente la producto para asegurarse de que no haya sufrido ninguna rotura o daño durante el transporte.

- No deseche el material de empaquetado hasta que haya inspeccionado cuidadosamente la producto y la haya utilizado satisfactoriamente.
- Si hay piezas dañadas o faltantes, le suplicamos llamar al 1-800-525-2579, donde le brindaremos asistencia.

LISTA DE EMPAQUETADO

Limpiador de patio
Mango delantero
Conjunto de tapa de extremo izquierdo y deflector
Tapa de extremo derecho
Cepillos giratorios
Manual del operador



ADVERTENCIA:

Si falta o está dañada alguna pieza, no utilice este producto sin haber reemplazado la pieza. Usar este producto con partes dañadas o faltantes puede causar lesiones serias al operador.

ARMADO

ADVERTENCIA:

No intente modificar este producto ni hacer accesorios no recomendados para la misma. Cualquier alteración o modificación constituye maltrato el cual puede causar una condición peligrosa, y como consecuencia posibles lesiones corporales serias.

ADVERTENCIA:

Para evitar un arranque accidental que podría causar lesiones corporales serias, siempre desmonte de la producto el paquete de baterías al montarle piezas a aquélla.

CÓMO INSTALAR/RETIRAR EL CONJUNTO DE CEPILLO GIRATORIO

Vea las figuras 2 a 4.

- Retire el paquete de baterías.
- Coloque el conjunto de tapa de extremo izquierdo y deflector en el costado del cabezal motor.
- Empuje el conjunto de tapa de extremo izquierdo y deflector en el cabezal motor hasta que encaje en su lugar.
- Deslice el cepillo giratorio debajo del deflector y en el hueco de la tapa de extremo izquierdo.

- Coloque la tapa de extremo derecho en el extremo del cabezal motor.
- Gire el deflector hasta que esté alineado con la tapa de extremo derecho.
- Empuje la tapa de extremo derecho en el cabezal motor hasta que el eje pase por el centro del cepillo y la tapa de extremo encaje en su lugar.

Para quitar el cepillo giratorio:

- Presione el pestillo de la tapa de extremo derecho y retírelo del cabezal motor.
- Deslice el cepillo giratorio para quitarlo del aparato.

MONTAJE DEL MANGO DELANTERO

Vea la figura 5.

El mango delantero debe usarse para garantizar el control y maximizar la seguridad del operador al usar este producto.

- Afloje y retire la tuerca de mariposa y el perno del mango.
- Instale el mango del eje del cabezal motor en la ubicación que indica la etiqueta del eje.
- Si es necesario, suba o baje el mango para ajustarlo a la posición de manejo deseada.
- Vuelva a colocar el perno y la tuerca de mariposa. Apriete firmemente la tuerca de mariposa.

FUNCIONAMIENTO

ADVERTENCIA:

No permita que su familiarización con las herramientas lo vuelva descuidado. Tenga presente que un descuido de un instante es suficiente para causar una lesión grave.

ADVERTENCIA:

Siempre utilice protección ocular con protección lateral con la marca de cumplimiento de la norma ANSI Z87.1, junto con protección auditiva. La inobservancia de esta advertencia puede causar el lanzamiento de objetos a los ojos, y por consecuencia posibles lesiones serias.

ADVERTENCIA:

No utilice ningún accesorio o accesorio no recomendado por el fabricante de esta producto. El empleo de accesorios o accesorios no recomendados podría causar lesiones serias.

ADVERTENCIA:

No permita que las manos, pies o ninguna otra parte del cuerpo, o la ropa, estén cerca de cepillo giratorio o partes en movimiento. El cepillo girará una vez que se presiona el botón del seguro y se tira del gatillo del interruptor. El cepillo continúa girando hasta que se suelta la gatillo del interruptor. Si no se evita tal contacto pueden producirse lesiones serias.

ADVERTENCIA:

Retire siempre el paquete de baterías de la herramienta antes de instalar las piezas, realizar ajustes, limpiarla o cuando no la utilice. Retirar el paquete de baterías evitará que la unidad se accione accidentalmente y provoque lesiones graves.

AVISO:

Antes de cada uso, inspeccione todo el producto para detectar partes dañadas, faltantes o sueltas, como tornillos, tuercas, pernos, tapas, etc. Apriete firmemente todos los sujetadores y las tapas y no accione este producto hasta que todas las partes faltantes o dañadas sean reemplazadas. Póngase en contacto con el servicio al cliente o con un centro de servicio calificado para obtener ayuda.

FUNCIONAMIENTO

APLICACIONES

Este producto puede emplearse para el fin siguientes:

- Barrer y quitar tierra, césped y otra suciedad de patios, pasillos y entradas de vehículos

INSTALACIÓN/QUITAR DEL PAQUETE DE BATERÍAS

Vea la figura 6.

- Coloque el paquete de baterías en el producto como se muestra.
- Asegúrese de que los pestillos situados a ambos lados del paquete de baterías entren completamente en su lugar con un chasquido y de que el paquete quede bien asegurado en la herramienta antes de comenzar a utilizarla.
- Oprima los pestillos para extraer el paquete de baterías.

ADVERTENCIA:

Para evitar lesiones corporales serias, siempre desmonte de la herramienta el paquete de baterías y mantenga manos vacías del botón del seguro al llevar herramienta.

Para obtener instrucciones específicas de carga, lea el manual del operador que se incluye con el cargador y la batería.

CÓMO AJUSTAR EL BRAZO TELESCÓPICO

Vea la figura 7

El brazo puede extenderse o acortarse para facilitar su manejo.

- Retire el paquete de baterías.
- Desbloquee el acoplador.
- Ajuste el brazo hacia arriba o hacia abajo para encontrar una posición cómoda para sostener la unidad.
- Vuelva a colocar el acoplador en la posición bloqueada.

NOTA: Asegúrese de que el acoplador esté bien bloqueado antes de usar la herramienta.

ENCENDIDO Y APAGADO DE LA UNIDAD

Vea la figura 8.

Para encendido:

- Oprima y no suelte el botón del seguro.
- Oprima el gatillo del interruptor.
- Suelte el botón de bloqueo. Continúe presionando el gatillo interruptor para un funcionamiento prolongado.

Para apagado:

- Suelte el gatillo interruptor para detener la unidad.
- Al soltar el gatillo interruptor, el botón de bloqueo regresará automáticamente a la posición de bloqueo.

CÓMO USAR EL LIMPIADOR DE PATIO

Vea las figuras 9 y 10.

ADVERTENCIA:

Nunca utilice el limpiador de patio en el techo o en cualquier otra superficie inestable, ya que puede provocar lesiones personales graves o la muerte.

ADVERTENCIA:

No vista ropas holgadas, bufandas ni joyas. Pueden quedar atrapadas en las piezas móviles y provocar lesiones personales graves o la muerte.

ADVERTENCIA:

Mantenga la descarga de desechos alejada de todos los dispositivos eléctricos para reducir el riesgo de electrocución o descarga eléctrica.

ADVERTENCIA:

Nunca apunte el limpiador de patio hacia personas ni mascotas. Los desechos u otros objetos arrojados podrían producir lesiones personales graves.

Sujete el limpiador de patio con la mano derecha en el mango trasero y coloque la mano izquierda en el mango delantero. Sujete firmemente la unidad con ambas manos durante la operación. Se recomienda sujetar el limpiador de patio en una posición cómoda, con el mango de gatillo aproximadamente a la altura de la cadera. Mantenga la sujeción y equilibre en ambos pies. Colóquese en una posición de modo que evite perder el equilibrio por el empuje de los cepillos giratorios.

- Tenga en cuenta la dirección del viento antes de comenzar. Cuando sea posible, descargue los desechos en la misma dirección del viento para evitar que le peguen en la cara.
- Trabaje en una dirección. Inicie el limpiador de patio y camine lentamente detrás del limpiador de patio limpiando a medida que avanza. **No empuje la unidad hacia usted durante el funcionamiento.** Suelte el acelerador o gatillo para detener la rotación de los cepillos. Vuelva al punto inicial para comenzar a barrer otra franja.

NOTA: Para lograr una limpieza profunda, vierta una pequeña cantidad de agua tibia con jabón sobre la superficie de limpieza antes de la operación. **No ejecute la herramienta en un charco de ninguna profundidad.**

ADVERTENCIA:

No use el limpiador de patio sobre obstáculos elevados. Si golpea algún obstáculo elevado al usar el limpiador de patio, podría dañar la unidad. Si se produce el contacto y hay daño o vibración al operar el limpiador de patio, deténgalo y deje de usarlo. Si sigue operando una unidad dañada, podrían producirse lesiones personales graves.

FUNCIONAMIENTO

ADVERTENCIA:

Nunca toque los cepillos giratorios ni coloque alguna parte del cuerpo en frente de la unidad mientras esta esté funcionando, enchufada o tenga la batería instalada. Siempre asegúrese de que todas las partes que se mueven se hayan detenido y se haya desenchufado el barredor, se haya quitado el paquete de baterías o se haya desconectado el cable de la bujía antes de quitar obstrucciones. Si no sigue estas instrucciones, podrían producirse la muerte o lesiones personales graves.

ADVERTENCIA:

Nunca use el limpiador de patio cerca de los pies. Mantenga una distancia mínima de 304,80 mm (12 pulg.) con respecto a los pies en todo momento.

- Asegúrese de que el cepillo giratorio se haya detenido por completo antes de acostar el limpiador de patio.

MANTENIMIENTO

ADVERTENCIA:

Para evitar lesiones serias, siempre retire el paquete de baterías de la herramienta cuando la limpie o durante cualquier mantenimiento.

ADVERTENCIA:

Siempre póngase protección ocular con protección lateral con la marca de cumplimiento de la norma ANSI Z87.1. La inobservancia de esta advertencia puede causar el lanzamiento de objetos a los ojos, y por consecuencia posibles lesiones serias.

ADVERTENCIA:

Al dar servicio a la unidad, sólo utilice piezas de repuesto idénticas. El empleo de piezas diferentes podría causar un peligro o dañar el producto.

AVISO:

Inspeccione periódicamente todo el producto para detectar partes dañadas, faltantes o sueltas, como tornillos, tuercas, pernos, tapas, etc. Apriete firmemente todos los sujetadores y las tapas y no accione este producto hasta que todas las partes faltantes o dañadas sean reemplazadas. Póngase en contacto con el servicio al cliente o con un centro de servicio calificado para obtener ayuda.

MANTENIMIENTO GENERAL

Evite el empleo de solventes al limpiar piezas de plástico. La mayoría de los plásticos son susceptibles a diferentes tipos de solventes comerciales y pueden resultar dañados. Utilice paños limpios para eliminar la suciedad, el polvo, el aceite, la grasa, etc.

ADVERTENCIA:

No permita en ningún momento que fluidos para frenos, gasolina, productos a base de petróleo, aceites penetrantes, etc., lleguen a tocar las piezas de plástico. Las sustancias químicas pueden dañar, debilitar o destruir el plástico, lo cual a su vez puede producir lesiones corporales serias.

CÓMO REEMPLAZAR EL CEPILLO GIRATORIO

Vea las figuras 3 y 4.

Después de un uso prolongado, el cepillo accesorio puede desgastarse, por lo que deberá reemplazarlo. Si se le cae la herramienta y daña el cepillo accesorio, también puede ser necesario que lo reemplace. Consulte la sección **Cómo instalar/retirar el conjunto del cepillo giratorio** anteriormente en este manual.

Este producto tiene una garantía limitada de tres años para fines personales, familiares o domésticos (30 días para usos trabajo o comercial). Para obtener detalles sobre la garantía, diríjase a www.ryobitools.com o llame sin cargo al 1-800-525-2579.



OPERATOR'S MANUAL
MANUEL D'UTILISATION / MANUAL DEL OPERADOR
18 VOLT PATIO CLEANER
NETTOYEUR DE PATIO DE 18 V
LIMPIADOR DE PATIO DE 18 V
P2904

• **PARTS AND SERVICE:** Prior to requesting service or purchasing replacement parts, please obtain your item, manufacturing, and serial numbers from the product data plate.

ITEM NO.* _____ MANUFACTURING NO. _____
SERIAL NO. _____

* Model/item number on product may have additional letters at the end. These letters designate manufacturing information and should be provided when calling for service.

HOW TO OBTAIN REPLACEMENT PARTS: Replacement parts can be purchased online at www.ryobitools.com or by calling 1-800-525-2579. Replacement parts can also be obtained at one of our service centers.

HOW TO LOCATE A SERVICE CENTER: Service centers can be located online at www.ryobitools.com or by calling 1-800-525-2579.

HOW TO OBTAIN CUSTOMER OR TECHNICAL SUPPORT: To obtain customer or technical support please contact us at 1-800-525-2579.

RYOBI is a trademark of Ryobi Limited and is used pursuant to a license granted by Ryobi Limited.

• **PIÈCES ET SERVICE :** Avant de faire la demande de service ou l'achat de pièces de remplacement, veuillez obtenir le numéro d'article, le numéro de fabrication et le numéro de série à partir de la plaque de données du produit.

NUMÉRO D'ARTICLE* _____ NUMÉRO DE FABRICATION _____
NUMÉRO DE SÉRIE _____

* Le numéro de modèle/article sur le produit peut contenir des lettres supplémentaires à la fin. Ces lettres désignent les informations du fabricant et doivent être fournies lors d'un appel de demande de service.

COMMENT OBTENIR LES PIÈCES DE REMPLACEMENT : Les pièces de remplacement peuvent être achetées en ligne sur le site www.ryobitools.com ou par téléphone au 1-800-525-2579. Les pièces de remplacement peuvent être obtenues à un de nos centres de service.

COMMENT TROUVER UN CENTRE DE SERVICE : Les centres de service peuvent être localisés en ligne au www.ryobitools.com ou en téléphonant au 1-800-525-2579.

COMMENT OBTENIR DE L'AIDE EN CONTACTANT LE SERVICE À LA CLIENTÈLE : Pour contacter le service à la clientèle pour une question technique ou pour tout autre renseignement, veuillez nous téléphoner au 1-800-525-2579.

RYOBI est une marque de Ryobi Limited et est utilisée en vertu d'une licence accordée par Ryobi Limited.

• **PIEZAS DE REPUESTO Y SERVICIO:** Antes de solicitar servicio técnico o comprar piezas de repuesto, obtenga su número de artículo, el número de fabricación y el número de serie de la placa de datos del producto.

NÚMERO DE ARTÍCULO* _____ NÚMERO DE FABRICACIÓN _____
NÚMERO DE SERIE _____

* El número de modelo/artículo que figura en el producto podría tener letras adicionales al final. Estas designan información de fabricación y deben suministrarse cuando llame para obtener asistencia o servicio.

CÓMO OBTENER PIEZAS DE REPUESTO: Las piezas de repuesto se pueden comprar en nuestro sitio en la red mundial, en la dirección www.ryobitools.com o llamando al 1-800-525-2579. Las piezas de repuesto también se pueden obtener en uno de nuestros centros de servicio.

CÓMO LOCALIZAR UN CENTRO DE SERVICIO: Puede encontrar los centros de servicio visitando nuestro sitio en la red mundial, en la dirección www.ryobitools.com or by calling 1-800-525-2579.

CÓMO OBTENER SERVICIO O ASISTENCIA TÉCNICA AL CONSUMIDOR: Para obtener servicio o asistencia técnica al consumidor, sírvase comunicarse con nosotros llamando al 1-800-525-2579.

RYOBI es una marca de Ryobi Limited y se utiliza conforme a una licencia otorgada por Ryobi Limited.

TECHTRONIC INDUSTRIES POWER EQUIPMENT

P.O. Box 1288, Anderson, SC 29622 USA
1-800-525-2579 • www.ryobitools.com