

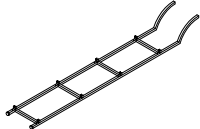
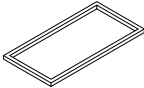
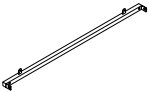
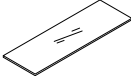





CARE AND MAINTENANCE

Wipe clean with a soft, dry cloth. Test the cleaning method on a hidden area before using them over the entire area.

NOTICE

- * Please make sure that you have all parts indicated before you begin assembly of this item.
- * This item should be assembled on a soft surface to prevent scratching the finished product during assembly.
- * This item may require periodic tightening.
- * Do not tighten bolts until completely assembled.

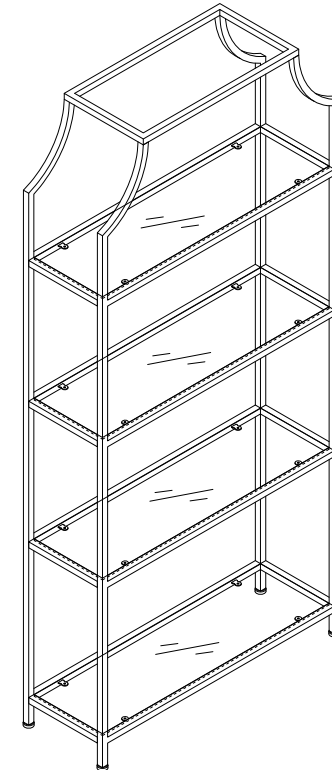
Part List and Hardware List

PIECE	DESCRIPTION	PICTURE	QUANTITY
A	Side Frame		2x
B	Top Frame		1x
C	Connecting Bar		8x
D	Glass Shelf		4x
H1	Allen Bolt	 1/4"x1-1/2"	4x
H2	Allen Bolt	 1/4"x5/8"	32x
H3	Suction Cup	 ϕ 19mm	16x
H4	Allen Key	 M4	1x
H5	Anti-Tip Hardware		2x

 **SAFAVIEH**
FURNITURE

Model# FOX6298

Product Dimensions: 36"W*12"Dx80"H

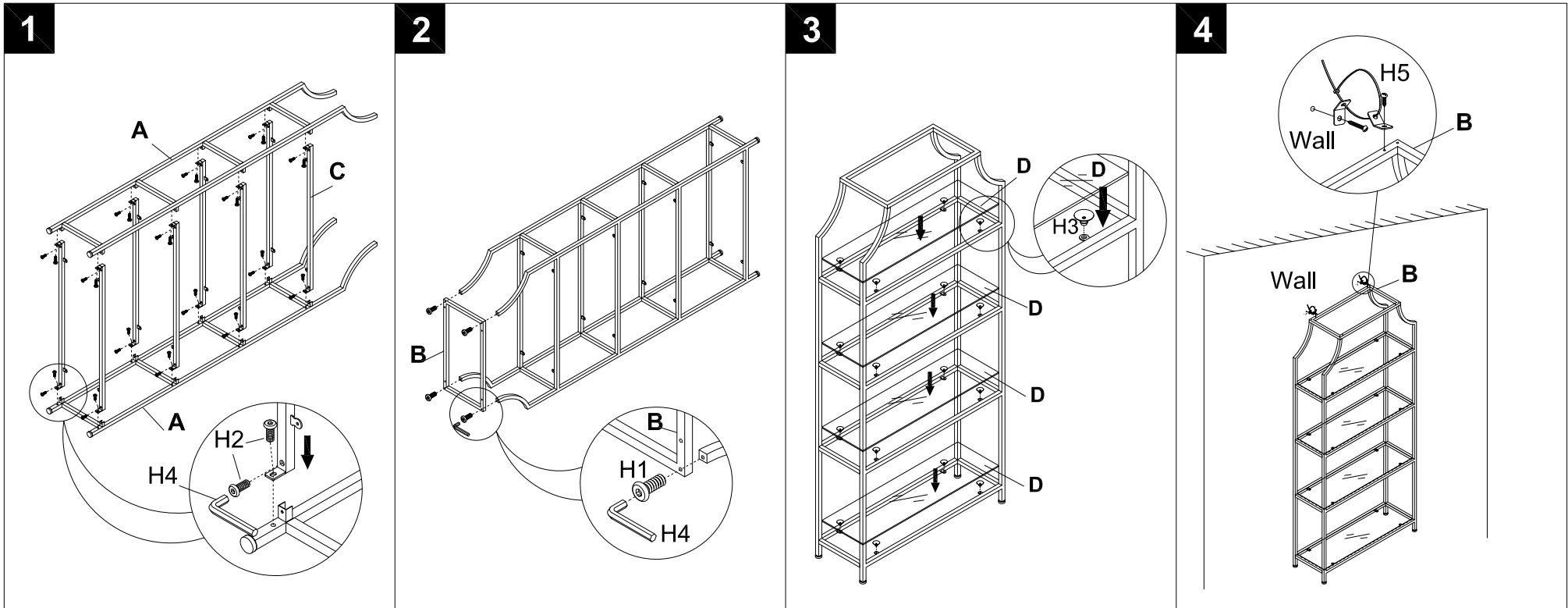


PREPARATION

Before beginning assembly of product, make sure all parts are present. Compare parts with package contents list and hardware contents list. If any part is missing or damaged, do not attempt to assemble the product.

Estimated Assembly Time: 30 minutes.

Tools Required for Assembly (included): Allen Key



Step 1

Attach 8*connecting bars (C) to the both side frame (A), Use Allen Key (H4) to lock 32*Allen bolts (H2).

Step 2

Attach top frame (B) to the assembled rack frame, Use Allen Key (H4) to lock 4*Allen bolts (H1).

Step 3

Straighten up the assembled rack, place 16*suction cups (H3) on 4 shelves frame in position, and place 4* Glass shelves (D) on 4 shelves.

Step 4

Following the Installation Instructions of anti-tipping to fix the rack with wall by 2 straps, Assembly is completed.