

Contents of Carton

- String Trimmer (1)
- Pack of Trimmer Line (1)
- Oil (1)
- String Trimmer Operator's Manual (1)
- Engine Operator's Manual (1)

Assembly

NOTE: This string trimmer is shipped without gasoline or oil in the engine. Fill up the gasoline and oil as instructed in the Engine Operator's Manual BEFORE operating your machine.

Upper Handle

1. Remove the wing knob (a) and carriage bolt (b) from the left lower handle and the right lower handle. See Figure 3-1.
2. Pivot the upper handle into the operating position. See Figure 3-1.

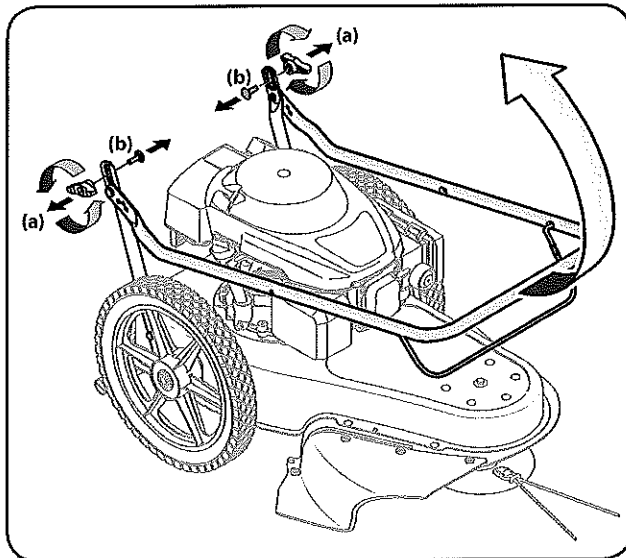


Figure 3-1

3. Move the upper handle into one of three positions by pivoting it forward or rearward. Secure the upper handle to the lower handle using the wing knobs (a) and carriage bolts (b) removed in Step 1. See Figure 3-2.

Note: Make sure to use the corresponding hole on the left side as on the right side of the upper handle.

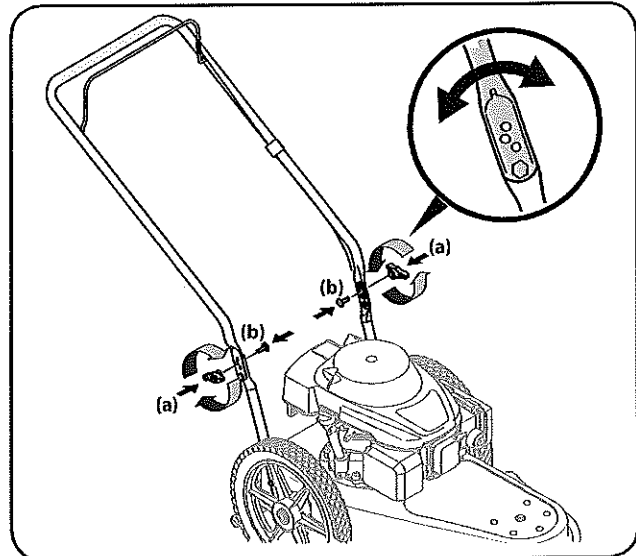


Figure 3-2

Starter Rope

1. Disconnect the spark plug boot from the spark plug (refer to the Engine Operator's Manual).
2. Pivot the control handle against the upper handle and pull the rope out of the engine.
3. Loop the rope through the eye bolt. See Figure 3-3.
4. Tighten the eye bolt to the handle using the lock nut. DO NOT overtighten.

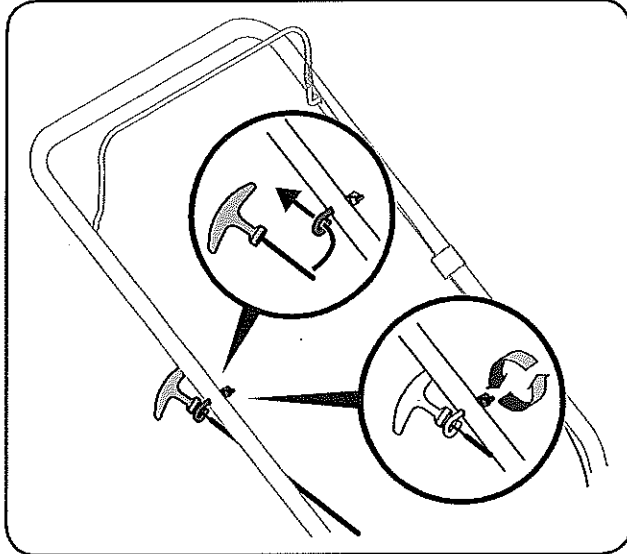


Figure 3-3

Set-Up

Gas and Oil Fill-Up

Refer to the Engine Operator's Manual for additional engine information.

1. Add oil provided before starting unit for the first time.
2. Service the engine with gasoline as instructed in the Engine Operator's Manual.



WARNING: Use extreme care when handling gasoline. Gasoline is extremely flammable and the vapors are explosive. Never fuel the machine indoors or while the engine is hot or running. Extinguish cigarettes, cigars, pipes and any other sources of ignition.