

Installation Guide

for Andersen® 2000 Series Fullview Doors

WINDOWS • DOORS
Andersen 

Come home to Andersen.™



2000 Fullview Door
with Clear Glass



2000 Fullview Door
with Etched Glass

IMPORTANT

READ ENTIRE GUIDE BEFORE BEGINNING INSTALLATION. If you are installing a Double Door Kit or Sidelight Storm Window with your door, read those instructions first. Please handle your door and components with care to avoid damage and/or scratches. If your door has protective tape, do not remove it until instructed to do so.

PLEASE NOTE: Proper assembly, installation and maintenance are essential if the benefits of your Andersen® product are to be fully attained. Therefore, please read and follow this Installation Guide completely. If your abilities do not match this procedure's requirements, contact an experienced contractor.

Every assembly and installation is different (wind load, structural support, etc.). Andersen strongly recommends consultation with an Andersen supplier or an experienced contractor, architect or structural engineer prior to the assembly and installation of any product. Andersen has no responsibility in regard to the post-manufactured assembly and installation of Andersen products.

To ensure limited warranty protection, register your door now at www.registermydoor.com. This product is covered by Andersen's Storm & Screen Doors product limited warranty.*

PLEASE DO NOT return this product to store! You may direct any questions to the Solution Center at 1-800-933-3626, Monday through Friday, 7 a.m. to 7 p.m. Central Time, and Saturday and Sunday, 8 a.m. to 5 p.m. Central Time.

IMPORTANT

Information About Your Door's Serial Number:

INSTALLER: Do not remove serial number from door. Give this entire installation guide to home owner

HOMEOWNER: Keep this installation guide for future reference.

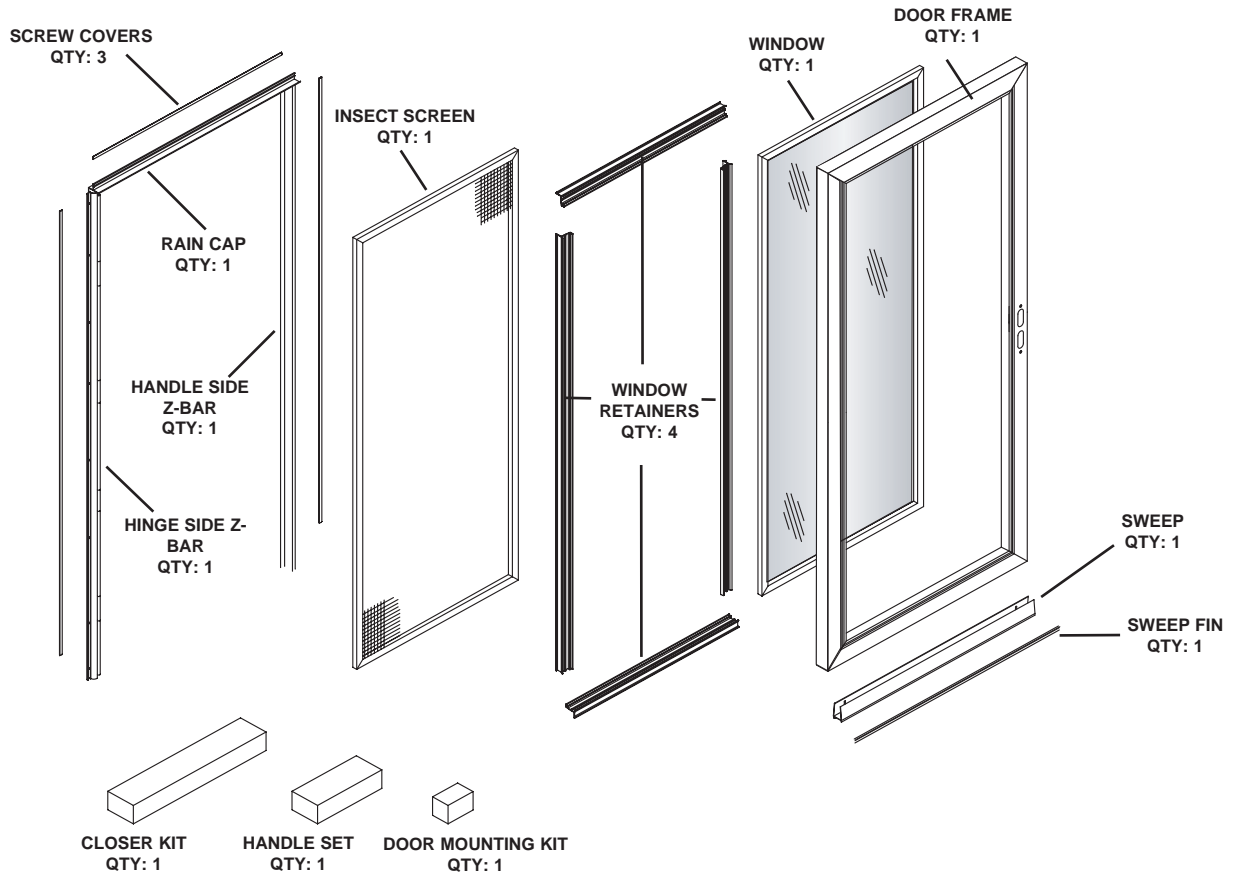
WRITE DOOR SERIAL NUMBER
IN THIS SPACE:

Serial number sticker is located
on the hinge side of the door.
Refer to this number for warranty service.

* EMCO Enterprises, Inc. is a wholly owned subsidiary of Andersen Corporation. EMCO manufactures Andersen®, and EMCO® doors. EMCO supports the limited warranties covering Andersen® Storm and Screen Doors. "Andersen", "EMCO" and all other marks where denoted are trademarks of Andersen Corporation. ©2007 Andersen Corporation. All rights reserved.

PARTS LIST

Make sure that all items have been removed from carton before discarding.



FASTENER IDENTIFICATION

WARNING

Metal fasteners and other hardware components may corrode when exposed to preservative treated and fire-retardant treated lumber. Obtain and use the appropriate size stainless steel fasteners and hardware as called out by the installation guide to fasten unit to any rough opening made from pressure treated and fire-retardant treated lumber. Failure to use the appropriate materials for the installation may cause a failure resulting in injury, property or product damage.

TO MOUNT DOOR — Use in Steps 3, 5, 7, 9, 10, 12



#8 X 1"
PHILLIPS PAN HEAD SCREW
QTY: 25



#8 X 1/2"
PHILLIPS PAN HEAD SCREW
YELLOW ZINC
QTY: 2



#8 X 1/2"
PHILLIPS PAN HEAD SCREW
SELF-TAPPING
QTY: 8

TO INSTALL HANDLE — Use in Step 11



#8 X 1-1/2"
PHILLIPS PAN HEAD SCREW
QTY: 2



#8 X 1/2"
PHILLIPS FLAT HEAD SCREW
QTY: 2



#6 X 1/2"
PHILLIPS FLAT HEAD SCREW
SELF-TAPPING
QTY: 4



#10 X 1-1/2"
PHILLIPS FLAT HEAD SCREW
QTY: 1

TO INSTALL CLOSER — Use in Step 14



#10 X 2"
PHILLIPS PAN HEAD SCREW
QTY: 4



#12 X 5/8"
PHILLIPS PAN HEAD SCREW
QTY: 2



SHORT PIN
QTY: 1



LONG PIN
QTY: 1

RECOMMENDED TOOLS



WARNING

Improper use of hand or power tools could result in injury and/or product damage. Follow equipment manufacturer's instructions for safe operation. Always wear safety glasses.

- Safety Glasses
- Center Punch
- Drill
- Hacksaw
- Hammer
- Level
- Pencil
- Pliers
- Phillips Head Screwdriver
- Flat Head Screwdriver
- Scissors or Utility Knife
- Tape
- Tape Measure
- 1/8", 5/32" and 7/64" Drill Bits
- Square



WARNING

Windows and doors can be heavy. Use safe lifting techniques and a reasonable number of people with enough strength to lift, carry, and install window and door products to avoid injury and/or property damage.



WARNING

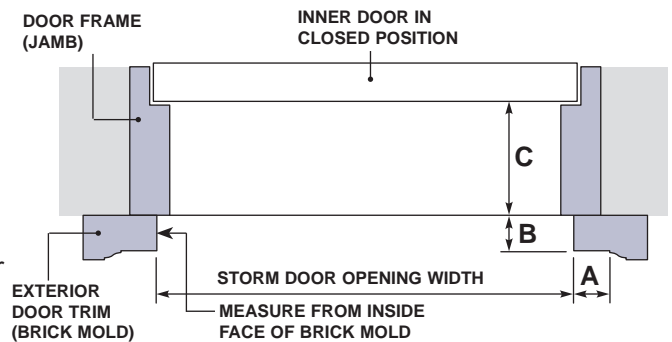
The insect screen is intended for reasonable insect control and not the retention of objects or persons within the interior. The insect screen material will not stop a person from falling through the door.

1. MEASURE DOORWAY:

A. Verify the minimum space requirements on the existing door frame and exterior trim.

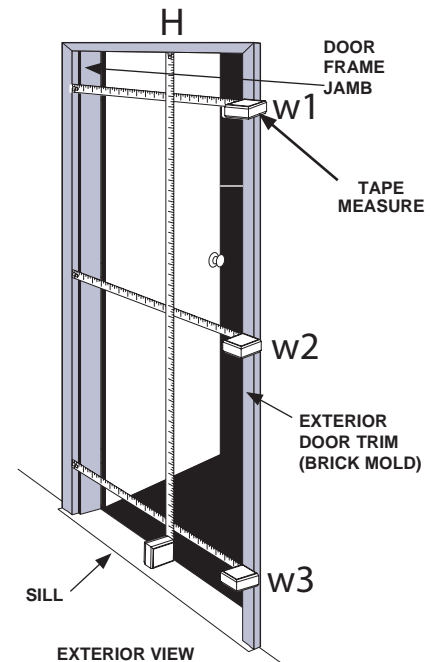
- Dimension **A** - 1" required for proper installation
(Minimum 7/8" required with Narrow Mount Kit*)
- Dimension **B** - 1" required for proper installation
(Minimum 5/8" required with Narrow Mount Kit*)
- Dimension **C** - 2-1/2" required for handle clearance

*A narrow mount kit is available through your Storm & Screen Door dealer.



B. Measure the existing door frame opening. Measure the height from the top (H), under the brick mold to the sill. Measure the width from the inside of the brick mold at the top (w1), center (w2) and bottom (w3) of the door opening. If the dimensions vary, use the smallest dimension for specifying your door size.

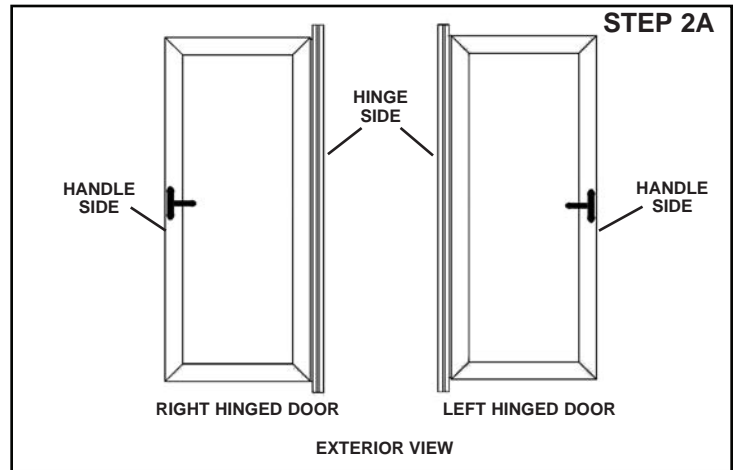
C. If the opening does not fall within any of these limits, it will be necessary to rework the door jamb. You may wish to consult a professional carpenter to do so.



STORM DOOR TO DOOR OPENING SIZE CHART			Z-bar Extender Kits are available for these door opening widths from your Storm & Screen door dealer.	
If your door opening dimensions do not fall within these ranges, other adjustments or reworks will be needed to provide a good fit.				
NOMINAL DOOR SIZE	FITS DOOR OPENING SIZES:			
	WIDTH	HEIGHT		
36" x 80" DOOR	35 3/4" TO 36 3/8"	80" TO 80 7/8"	36 3/8" TO 37 3/8"	
34" x 80" DOOR	33 3/4" TO 34 3/8"		34 3/8" TO 35 3/8"	
33" x 80" DOOR	32 3/4" TO 33 3/8"		33 3/8" TO 34 3/8"	
32" x 80" DOOR	31 3/4" TO 32 3/8"		32 3/8" TO 33 3/8"	
30" x 80" DOOR	29 3/4" TO 30 3/8"		30 3/8" TO 31 3/8"	

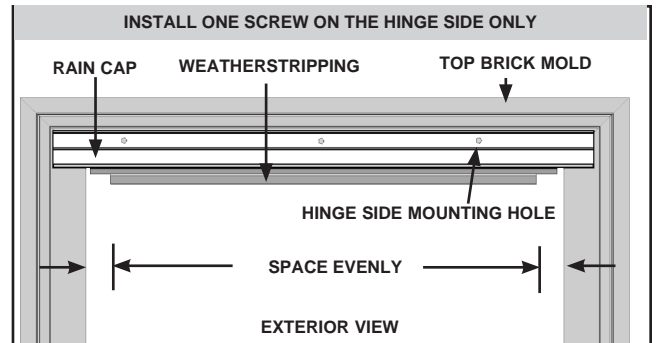
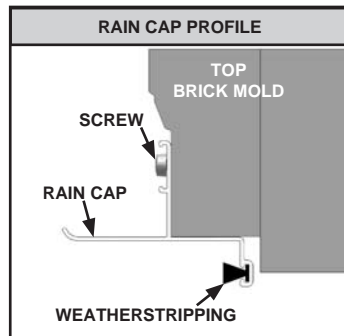
2. DETERMINE HINGE SIDE:

- A.** The storm door has been designed for either left or right hinged installation. Position the door frame in the door opening. The hinge side will be the side that is the door pivot point. Be sure that the window retainers are to the interior of the door.
- Looking from the exterior of a home:
- A right hinged door will have the handle on the left.
 - A left hinged door will have the handle on the right.
- B.** While door frame is in door opening, hold interior handle (from handle set parts box) in place to make sure it will not interfere with the handle of your front door. If your handles interfere, hinge on opposite side.
- C.** You may wish to mark the hinge side of the door with a piece of tape for reference.



3. INSTALL RAIN CAP:

- A.** Position rain cap against top brick mold (with weatherstripping's fuzzy edge facing outward), centered between door jambs.
- B.** Holding rain cap in place, drill a 1/8" pilot hole through mounting hole on HINGE side of rain cap.
- C.** Fasten rain cap with one (1) #8 x 1" screw. Do not install remaining screws yet.



4. REMOVE FULLVIEW WINDOW:



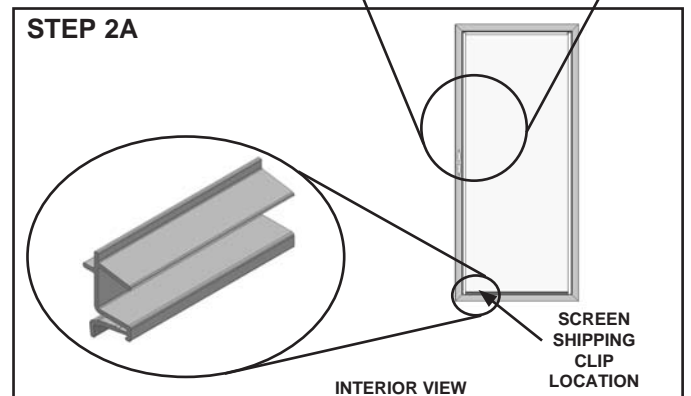
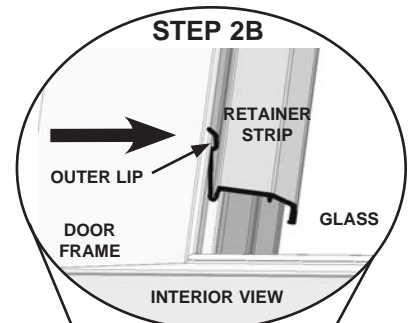
WARNING

Windows and doors can be heavy. Use safe lifting techniques and a reasonable number of people with enough strength to lift, carry, and install window and door products to avoid injury and/or property damage.

IMPORTANT

For shipping purposes, your door may have been packaged using the top and bottom retainer strips (short) to secure the window unit sides to the door frame. If this is the case, the side retainer strips (long) will have been packaged elsewhere in your door carton. The short retainer strips will be reinstalled at the top and bottom of your door.

- A.** Lay door down on protected surface, exterior side down, retainer strips up.
- B.** Starting at one (1) end of a retainer strip, place fingertips on the **outer lip** and pull inwards, toward glass, progressively removing entire strip.
- C.** Repeat step 2B to remove retainer strip on opposite side of window.
- D.** Set aside retainer strips for future installation.
- E.** Remove and properly dispose of the one (1) screen shipping clip from the bottom corner of door.
- F.** Lift window out. Keep window vertical; never carry or store flat.

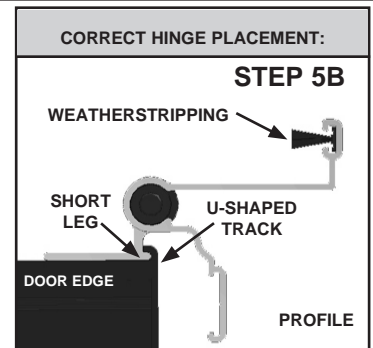


CAUTION

When brand new or during cold weather, retainer strips may be stiff. Additional pressure may need to be applied. Handle them with extra care. Failure to do so may cause the retainer strips to crack or break.

5. ATTACH HINGE SIDE Z-BAR TO DOOR:

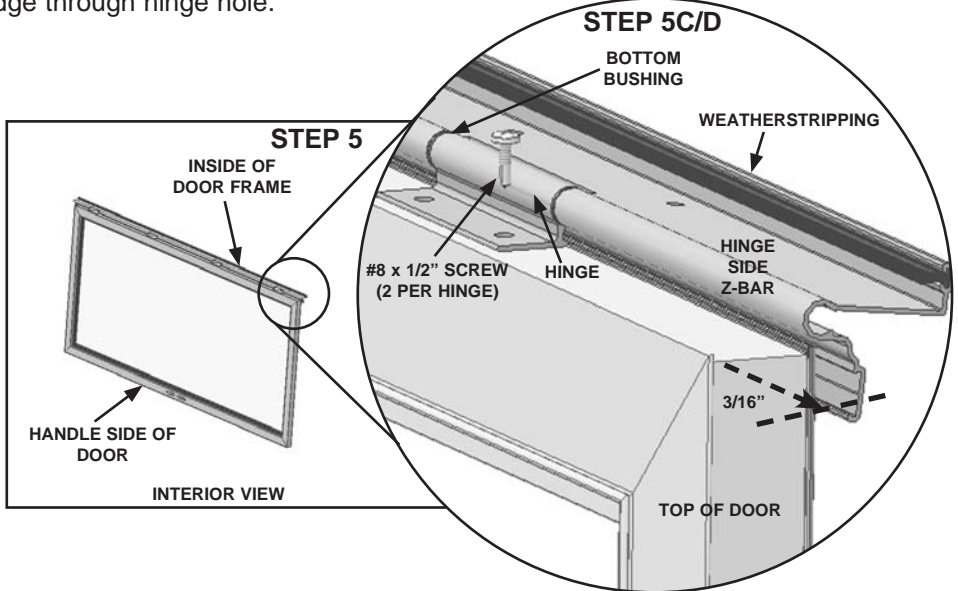
- To determine which end of hinge side Z-bar is top, hold hinge side Z-bar up to exterior door opening on the side you want to hinge. The screw track will be on the left side for left hinge installation and to the right for right hinge installation. Mark the top of hinge side Z-bar with tape.
- Position door lengthwise on edge, with handle side down and hinge side up. Slide the short leg of hinge side Z-bar into the U-shaped track on the door edge. See image to right for proper hinge placement.
- Position top of hinge side Z-bar $3/16"$ beyond top of the door frame. Slide the top hinge toward the bottom of the notch in the hinge side Z-bar to ensure contact with the bottom bushing. Using a pencil, mark top hinge mounting hole location onto door frame edge through hinge hole.



IMPORTANT

For proper performance, make sure that all four (4) hinges contact the bottom bushings.

- Drill a $1/8"$ pilot hole through top mounting hole of hinge and into door frame. Fasten hinge to door with one (1) #8 x $1/2"$ screw. Drill another pilot hole through the bottom mounting hole of hinge and fasten with screw.
- Repeat steps 5C and 5D for the three (3) remaining hinges.

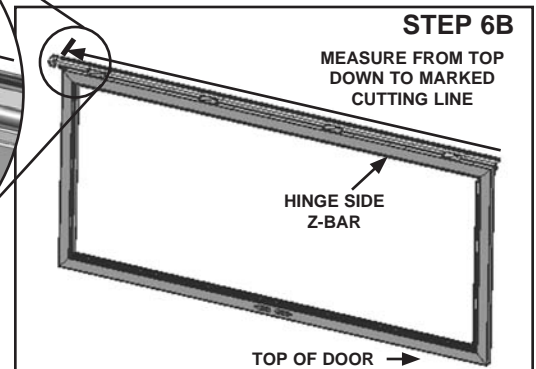
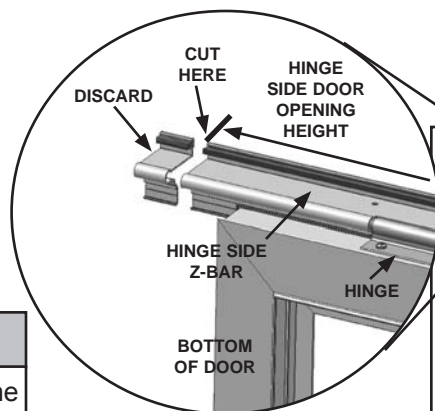
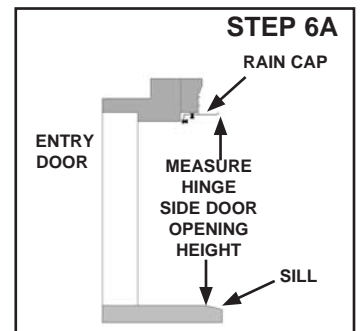


6. CUT HINGE SIDE Z-BAR TO LENGTH:

- To fit the hinge side Z-bar into the opening, you will need to cut the hinge side Z-bar to same length as the opening height of your door.
- Measure the door opening height on hinge side from the underside of the rain cap to the top of the door sill. This is the measurement that you will use to cut hinge side Z-bar to length.

Hinge Side Door Opening Height _____

- Using this height, measure down from the top of the hinge side Z-bar, which was marked with tape in step 5A. Mark a cutting line at door opening height and cut to length with a hacksaw at bottom of hinge side Z-bar. If bottom of door opening (sill) has an angled slope, you may wish to cut hinge side Z-bar at a slight angle to match.



IMPORTANT

For proper performance, make sure to cut the hinge side Z-bar from the bottom of the door so the top will be flush with the rain cap.

7. PLACE DOOR IN OPENING:

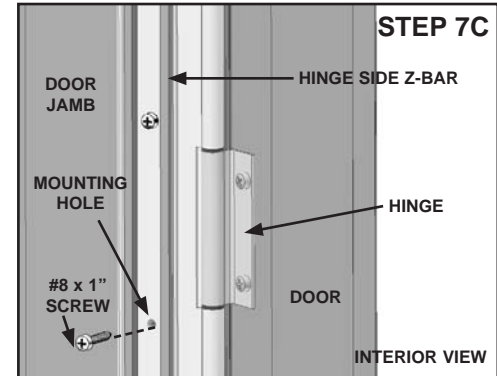
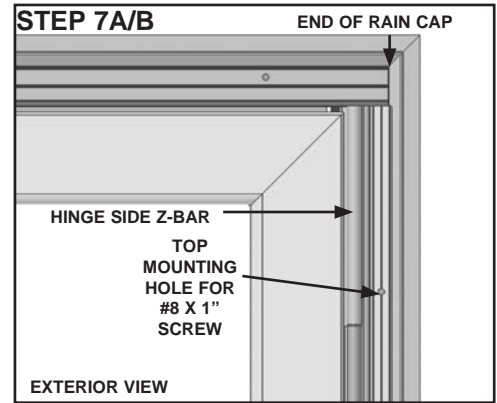
- Set door in opening so hinge side Z-bar is flush with end of rain cap and is tight against the underside of the rain cap. Pre-drill an 1/8" pilot hole through the top mounting hole of the hinge side Z-bar into the brick mold and install one (1) #8 x 1" screw.
- Using a level, make sure the hinge side Z-bar runs straight up and down. Drill 1/8" pilot holes and install five (5) #8 x 1" screws in the remaining holes. Make sure the door opens and closes freely before proceeding.
- Open the door and drill 1/8" pilot holes through the mounting holes on the interior of the hinge side Z-bar into the door jamb. Install eight (8) #8 x 1" screws. Do not overtighten screws.

CAUTION

Overtightening screws may deform the hinge side Z-bar. If the hinge side Z-bar is deformed from overtightening, the screws may be loosened until the hinge side Z-bar is straight.

IMPORTANT

If applicable, remove protective tape from door frame before proceeding.



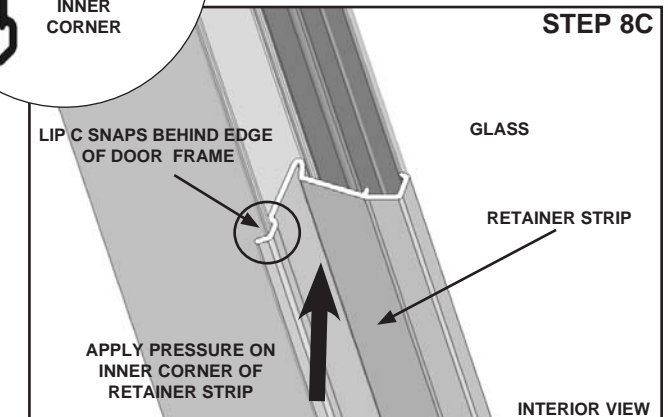
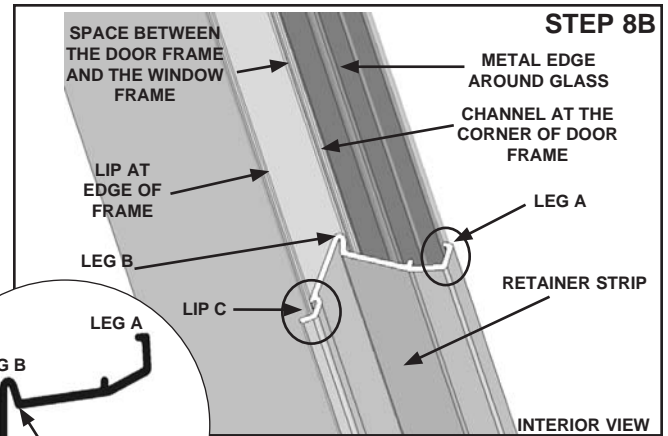
8. INSTALL WINDOW UNIT:



WARNING

Windows and doors can be heavy. Use safe lifting techniques and a reasonable number of people with enough strength to lift, carry, and install window and door products to avoid injury and/or property damage.

- To place window, center window in bottom of door frame from the interior and carefully tilt it forward into frame. Make sure flat edge of window faces the exterior of your home.
- Align the retainer strip using three (3) checkpoints.
 - Place Leg A of the retainer strip on the glass, parallel/flush with the window frame but NOT resting on the frame.
 - Place Leg B of the retainer strip in the channel at the corner of the door frame, NOT in the space between the door frame and the window frame.
 - Make sure Lip C of the retainer is flush with the small lip on the door frame.
- Snap a side retainer strip (long) into place. Using your fingers, apply pressure on the inner corner of the retainer. Grasp the door frame with your hands if needed. Continue this process until the entire retainer strip is snapped in.
- Repeat Steps 8B and 8C to install other side retainer strip.
- Repeat Steps 8B and 8C to install the two (2) top and bottom retainer strips (short).

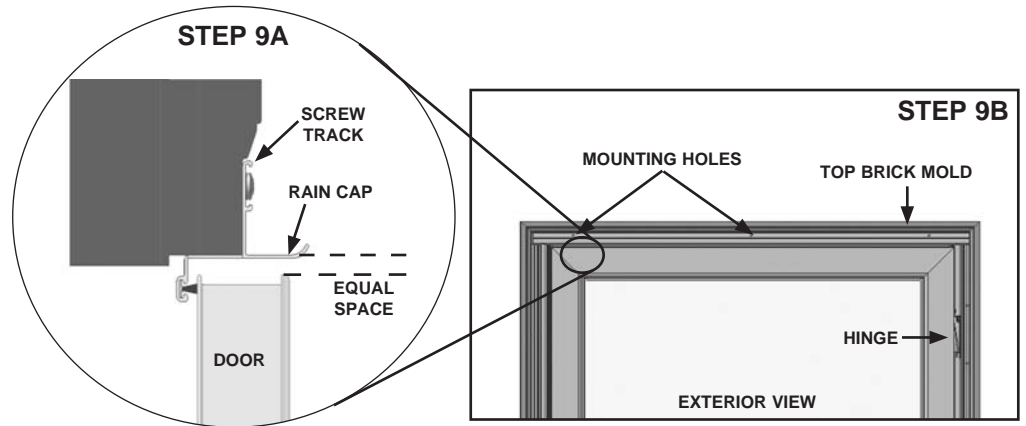


CAUTION

When brand new or during cold weather, retainer strips may be stiff. Additional pressure may need to be applied. Handle them with extra care. Failure to do so may cause the retainer strips to crack or break.

9. SECURE RAIN CAP:

- Adjust the rain cap so there is an equal space between the rain cap and along the top edge of the door.
- Drill two (2) 1/8" pilot holes through the remaining mounting holes and install two (2) #8 x 1" screws.

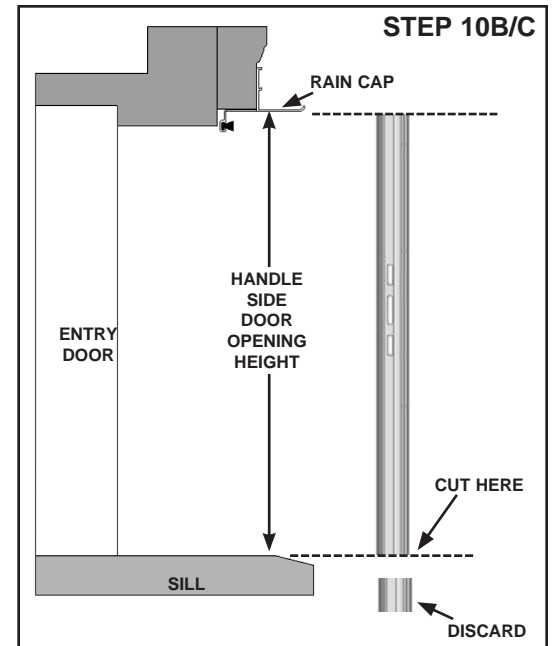


10. CUT AND INSTALL HANDLE SIDE Z-BAR:

- To determine which end of the handle side Z-bar is top, hold handle side Z-bar up to door opening opposite hinge side Z-bar. The weatherstripping will face the door opening. Mark top of handle side Z-bar with tape for future reference.
- The handle side Z-bar will need to be cut to the handle side door opening height. To do so, measure the door opening height on the handle side from the underside of rain cap to top of door sill.

Handle Side Door Opening Height _____

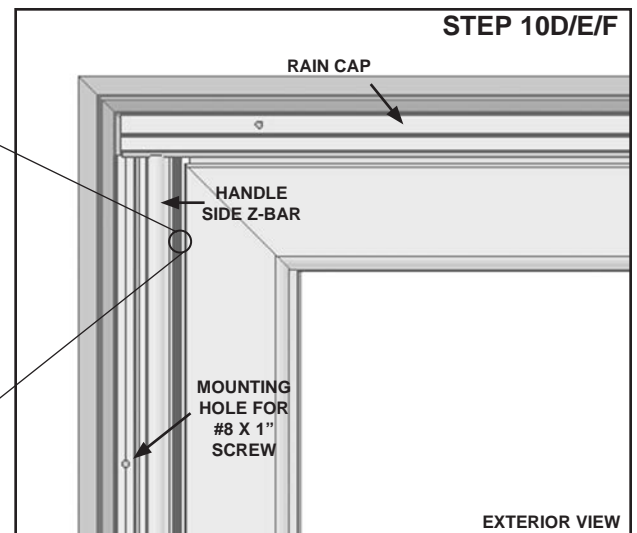
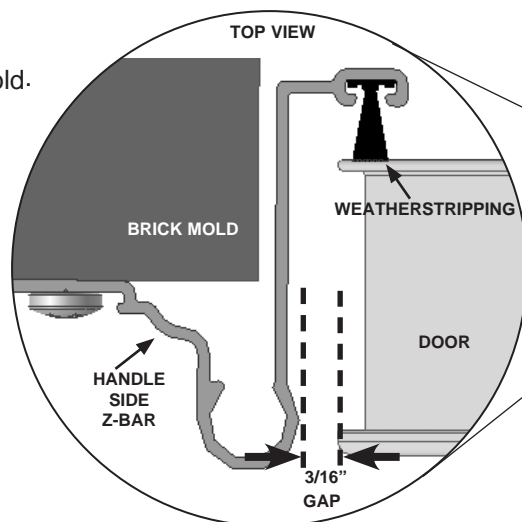
- Using this measurement, measure down from top of handle side Z-bar and mark a cutting line. Cut to length with hacksaw. If bottom of door opening (sill) has an angled slope, you may wish to cut the hinge side Z-bar at a slight angle to match.



IMPORTANT

For proper performance, make sure to cut the handle side Z-bar from the bottom of the door so the top will be flush with the rain cap.

- Set handle side Z-bar in door opening so the top is pushed against the underside of rain cap. Maintain a consistent 3/16" gap between handle side Z-bar (adjust Z-bar as needed) and side edge of door.
- Drill a 1/8" pilot hole through top mounting hole and into brick mold.
- Fasten top of the handle side Z-bar with one (1) #8 x 1" screw. Re-check to make sure you have maintained the 3/16" gap and drill 1/8" pilot holes through the remaining mounting holes. Install the remaining six (6) #8 x 1" screws.



11. INSTALL HANDLE SET:

- A. Refer to the instructions included in the handle set box to install the door handles.

IMPORTANT

Handle set can be keyed to match Schlage® (included) or Kwikset® (additional purchase required) handle set. Duplicate keys can be made by many home improvement stores or locksmiths.

"Schlage" is a registered trademark of Schlage Lock company. "Kwikset" is a registered trademark of Kwikset Corporation.

12. ASSEMBLE AND INSTALL SWEEP :

- A. Slide the sweep fin into the fin track flush with sweep end. Use pliers to squeeze track legs on both ends of sweep to secure fin and trim off excess.

IMPORTANT

If applicable, remove protective tape from sweep.

- B. Slide sweep over base of door with mounting slots on inside of door. Align end of door sweep with handle side edge of door frame. Position sweep so both ends of sweep fin touch door sill completely.

IMPORTANT

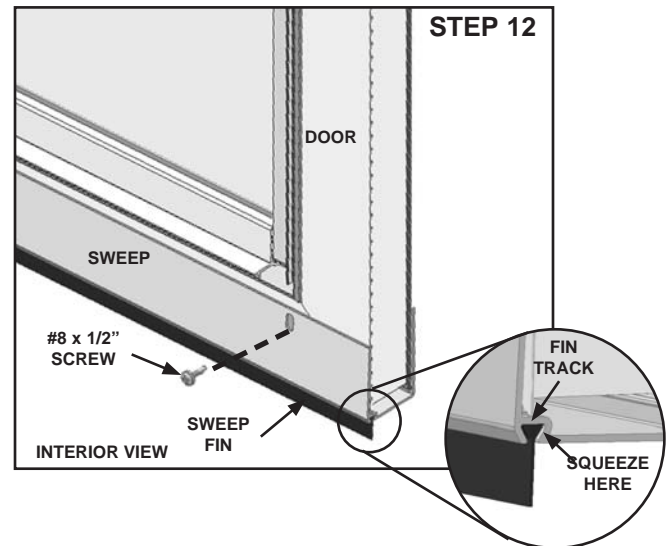
Sweep is intentionally narrower than the door.

- C. Mark and drill two (2) 1/8" pilot holes into door through sweep mounting slots.

CAUTION

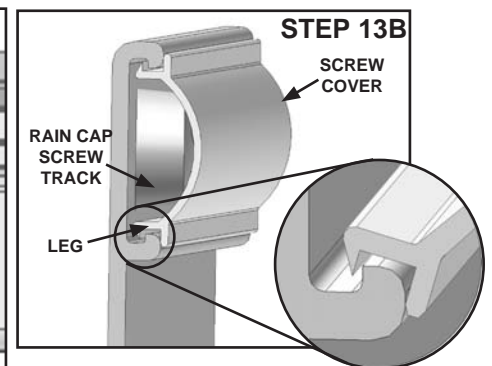
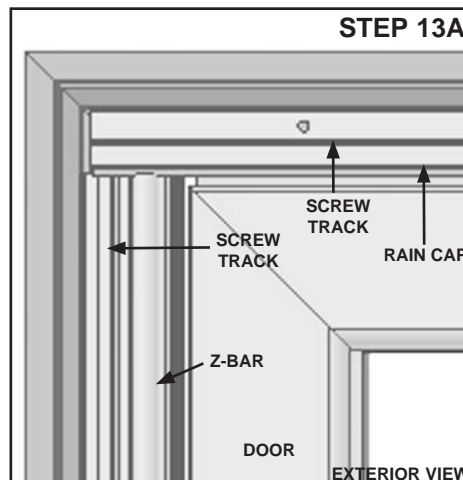
Do not drill completely through door. This will create an unnecessary hole in the door and may cause water and air infiltration.

- D. Fasten sweep using the two (2) #8 x 1/2" screws provided.



13. INSTALL SCREW COVERS :

- A. Locate the hinge side screw track, handle side screw track and rain cap screw track.
- B. Lock front leg of screw cover in notch of screw track. Use forefingers to apply pressure to other leg to snap it into the track. Make sure that the screw covers snap into the screw track along the entire length of the rain cap and both Z-bars.
- C. Trim off any excess that may remain with a utility knife or sharp scissors.



14. INSTALL DOOR CLOSER :

- A. Make sure door will open and close freely before mounting closer at bottom of door.
- B. Attach push button closer rod to jamb bracket with short pin. With closer attached, depress push button and then extend closer rod approximately 1/4"-3/8". Closer rod should lock into first position. If not, repeat this step. Once closer rod is preset, remove short pin and separate closer from jamb bracket.

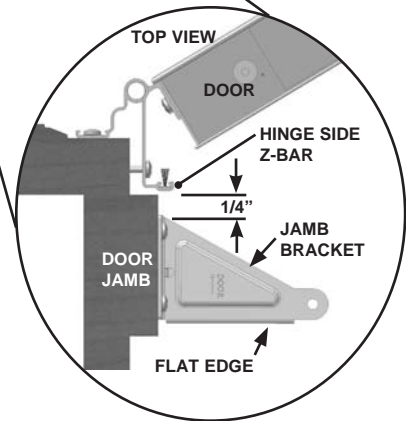
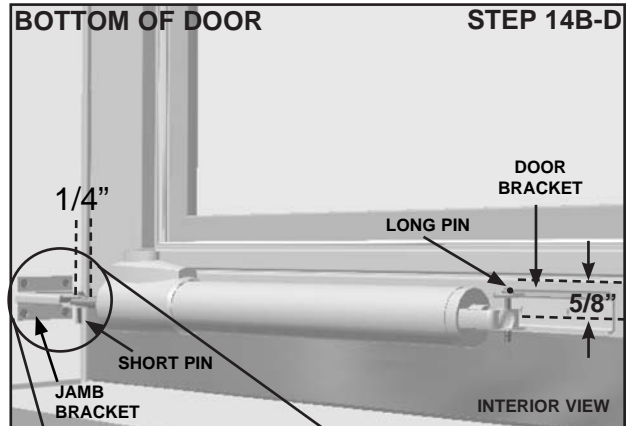
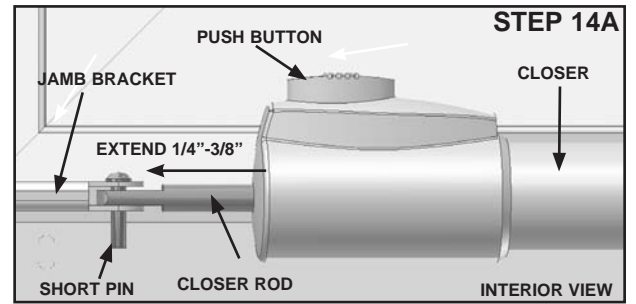
CAUTION

Extending the closer rod is necessary for proper door function. If closer rod is not extended, the door will not close and latch properly.

- C. Open the door and measure down 5/8" from the bottom of the window opening on the interior and mark a line on the door frame extending it to the door jamb. Extend the line and center the jamb bracket on the line setting it back 1/4" from the hinge side Z-bar. Please note that the flat edge of the jamb bracket should face toward you. Drill four (4) 5/32" pilot holes and fasten the jamb bracket with four (4) #10 x 2" screws to door jamb.
- D. Reattach closer to jamb bracket with short pin. Attach door bracket to outer hole of closer with long pin. **CLOSE DOOR.** Position closer assembly so door bracket touches door frame and level.
- E. Center the holes of the door bracket on the line drawn on the door. Drill two (2) 5/32" pilot holes at these locations. Fasten the assembly to the door with two (2) #12 x 5/8" screws.

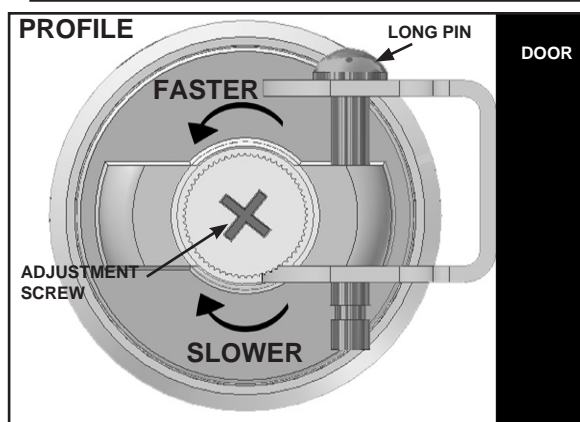
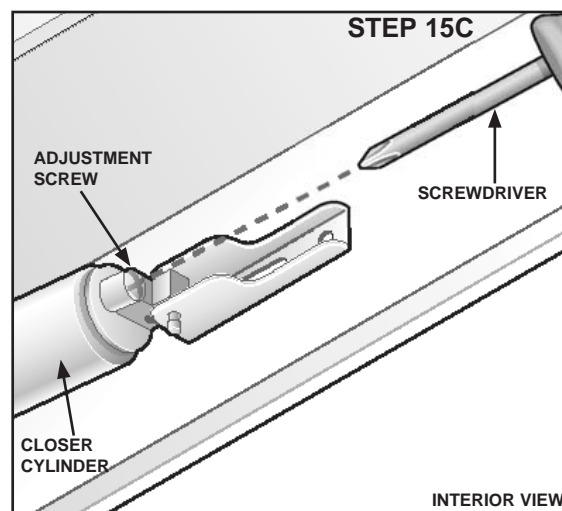
CAUTION

Do not drill completely through door. This will create an unnecessary hole in the door and may cause water and air infiltration.



15. ADJUSTING THE CLOSER :

- A. Locate adjustment screw on the end of closer that attaches to the door frame.
- B. Open door, then let it close to note current closing speed.
- C. Use Phillips-head screwdriver to adjust closer to desired speed.
 - For faster closing speed, turn adjustment screw to the left (counterclockwise).
 - For slower closing speed, turn adjustment screw to the right (clockwise).
 - Test door (open it, then let it close) after each adjustment of the screw, and then adjust screw further (if needed) until desired speed is achieved.



16. LOCKING AND RELEASING THE PUSH BUTTON CLOSER:

- A. To hold door open, open door to desired position and hold it there. Using a finger or foot, push down the button on closer. Let go of door. It will stay in position.
- B. To release push button closer and close door, push open the door a few more inches wider than its set (held open) position. This will release the closer's push button. Let go of door and let it close freely.



IMPORTANT

Releasing the closer does not require pushing on the button again, pulling it up or pulling the door shut. This will not work, and may even damage the button/closer if too much force is applied. Open door slightly to release.

REGULAR MAINTENANCE

WINDOW GLASS – The glass may be cleaned with any household glass cleaner. Keep glass cleaners away from painted parts and brass/nickel components.

PLASTIC PARTS – Plastic door components may be cleaned using a mild soap and water mixture and by gently rubbing the affected area. Do not use harsh abrasives or any product that contains chlorine.

ALUMINUM PARTS – Aluminum parts on the door may be cleaned using a mild soap and water mixture and by gently rubbing the affected area. Mineral spirits may be used and will not harm the paint. This will remove many items such as glue residue. Do not use harsh abrasives or any product that contains chlorine.

HANDLE COMPONENTS – The TarnishGuard™ handle on the door has been treated to protect the surface from atmospheric agents and normal wear. To clean your TarnishGuard™ treated handle, wipe with wet or dry cloth every two months to maintain beauty and luster. Do not use harsh abrasives or any product that contains chlorine.

ANODIZED FINISHED SWEEPS – The anodized finished sweep may be cleaned with a mild solution of soap and water. Do not use harsh abrasives or any product that contains chlorine.

PRODUCT WARRANTY

LIMITED WARRANTY

Subject to the exclusions and limitations described below, doors including the hinge are warranted by EMCO Enterprises, Inc. (EMCO) against manufacturing defects, under normal use, for as long as the original consumer purchaser owns the home on which the door was initially installed.

Painted finish on aluminum frame doors is warranted against manufacturing defects and adhesion defects under normal use for as long as the original consumer purchaser owns the home on which the door was initially installed.

Locksets, closers and door sweeps are warranted for a period of one year from the date of original retail purchase or for as long as the original consumer purchaser owns the home on which the door was initially installed, whichever is shorter. Balancer assemblies on HD 3000 TruEase™ doors are warranted for a period of ten (10) years from the date of original retail purchase for as long as the original consumer purchaser owns the home on which the door was initially installed, whichever is shorter. Glass (except as provided above) and screen components are excluded from this warranty coverage.

During the applicable warranty period (and upon written proof of purchase) a door or door components covered by this limited warranty will be repaired or replaced at EMCO's option, without charge. This limited warranty will not apply if the door or other component has been misused, abused or altered. This limited warranty excludes breakage, lack of maintenance, normal effects of sun and weather, severe wind, and normal wear and tear. Labor is not included in this limited warranty. Replacements and repairs made under this limited warranty are warranted for the remainder of the warranty period applicable to the original product. This limited warranty is not transferable to subsequent purchasers.

For consumer assistance under this limited warranty, call 1-800-933-3626.

EMCO'S LIABILITY UNDER THIS LIMITED WARRANTY IS LIMITED TO THE REMEDIES SET FORTH ABOVE AND EXCLUDES ALL INCIDENTAL AND CONSEQUENTIAL DAMAGE. ALL IMPLIED WARRANTIES INCLUDING MERCHANTABILITY AND FITNESS FOR A PARTICULAR PURPOSE WILL EXPIRE WITH THE APPLICABLE TERM OF THIS LIMITED WARRANTY.

Some states do not allow the exclusion of incidental and consequential damage, so the above may not apply to you. This limited warranty gives you specific legal rights, and you may also have other rights that vary from state to state.

*Doors with thermal glass purchased prior to January 1, 2002 have a five (5) year limited warranty.

BRASS & NICKEL COMPONENTS

LIMITED WARRANTY

Handle sets and sweeps are warranted to keep their genuine-brass or nickel beauty for as long as you own your home, or EMCO replaces or repairs it.

EMCO Enterprises, Inc. (EMCO) warrants that the genuine-brass and nickel handle set and sweep are warranted to keep their genuine finish for as long as the original consumer purchaser owns the home on which the door containing such brass or nickel parts was initially installed, or they will be repaired or replaced at no additional charge.

The Brass and Nickel Hardware limited warranty is effective for all applicable doors sold after January 1, 1999.

All submissions for replacement or repair under this limited warranty must be made by the purchaser through the EMCO Solution Center at 1-800-933-3626, in order to qualify for this warranty coverage.

Upon written proof of purchase and the submission of the door serial number, the hardware will be repaired or replaced at our option, without charge.

This limited warranty will not apply if the hardware has been misused, abused or altered. This limited warranty does not apply to inside painted hardware or the function of all locksets and lockset components (see product warranty for complete hardware product limited warranty information). This limited warranty does not include brass or nickel (caming) glass accents. Labor is not included in this limited warranty. For consumer assistance under this limited warranty, call 1-800-933-3626.

Replacements and repairs made under this limited warranty are warranted for the remainder of the warranty period applicable to the original product.

EMCO'S LIABILITY UNDER THIS LIMITED WARRANTY IS LIMITED TO THE REMEDIES SET FORTH ABOVE AND EXCLUDES ALL INCIDENTAL AND CONSEQUENTIAL DAMAGE. ALL IMPLIED WARRANTIES INCLUDING MERCHANTABILITY AND FITNESS FOR A PARTICULAR PURPOSE WILL EXPIRE WITH THE TERM OF THIS BRASS AND NICKEL HARDWARE LIMITED WARRANTY.

Some states do not allow the exclusion of incidental and consequential damage, so the above may not apply to you. This limited warranty gives you specific legal rights, and you may also have other rights which vary from state to state.

"OOPS-PROOF" INSTALLATION

LIMITED WARRANTY

EMCO Enterprises, Inc. (EMCO) warrants that any part lost or miscut during the original installation of your door will be repaired or replaced at no additional charge. Mis-drilling is not included in this warranty.

To qualify for this limited warranty coverage, all submissions for replacement or repair under this limited warranty must be made by the original purchaser within ninety (90) days of the date of original purchase by calling the EMCO Solution Center at 1-800-933-3626.

Upon written proof of purchase and submission of the door serial number, the part will be repaired or replaced at EMCO's option, without charge. This limited warranty will not apply if the part has been misused, abused or altered.

Labor is not included in this limited warranty. For consumer assistance under this limited warranty, call 1-800-933-3626.

Replacements and repairs under this limited warranty are warranted for the remainder of the warranty period applicable to the original product.

EMCO'S LIABILITY UNDER THIS LIMITED WARRANTY IS LIMITED TO THE REMEDIES SET FORTH ABOVE AND EXCLUDES ALL INCIDENTAL AND CONSEQUENTIAL DAMAGE. ALL IMPLIED WARRANTIES INCLUDING MERCHANTABILITY AND FITNESS FOR A PARTICULAR PURPOSE WILL EXPIRE WITH THE TERM OF THIS LIMITED WARRANTY.

Some states do not allow the exclusion of incidental and consequential damage, so the above may not apply to you. This limited warranty gives you specific legal rights, and you may have other rights that may vary from state to state.

Reprinted and effective as of September 2005.

* EMCO Enterprises, Inc. is a wholly owned subsidiary of Andersen Corporation. EMCO manufactures Andersen®, and EMCO® doors. EMCO supports the limited warranties covering Andersen® Storm and Screen Doors. "Andersen", "EMCO" and all other marks where denoted are trademarks of Andersen Corporation. ©2007 Andersen Corporation. All rights reserved.