

SPC FLOORING INSTALLATION GUIDELINES

Before You Start/ Preparations

Please read all the instructions before you begin the installation.

Improper installation will void warranty.

Important notice

After installation, make sure to keep the room within a temperature range of 60F to 80F and a relative humidity range between 30% and 65%. Excessively high or low temperature and relative humidity may cause this product to expand or contract and lead to visual defects of the floor that will not be warranted.

Variations in color, tone, grain patterns and other are naturally occurring characteristics of hardwood.

Different production runs can have slight color and gloss variations, it is best to purchase all the flooring that is needed at one time to minimize variations within the flooring.

For the best result, make sure to always work from 2 to 3 cartons at a time and mixing the planks during the installation. This will result in a more natural looking floor.

Do not mix flooring with different model/item/SKU numbers together in the same installation as flooring with different model/item/SKU numbers are not intended to be installed together.

This product has a pre-attached underlayment. Do not install over carpet or any additional underlayment (except a 6 mil poly-film moisture barrier), which will void the warranty.

- Calculate the room surface prior to installation and plan an extra 10% of flooring for cutting waste.
- In most cases, this product does not need to be acclimated. However, If the boxes of flooring were exposed over 2 hours to extreme temperatures (under 50°F or over 100°F) within the 12 hours before the installation, acclimation is required. In this case, keep the boards in room temperature for at least 12 hours in unopened package before you start the installation. The room temperature must be maintained consistent between 60° to 80°F before and during installation.
- For floor surfaces exceeding 4000 sf and or lengths exceeding 66 ft, use expansion moldings.
- Do not install cabinets or fixed objects on top of the flooring. Proper expansion space (1/4") is required. Undercut all doorjamb.
- Inspect your subfloor before you begin. It must be clean and level to 3/16" within a 10 ft span.
- Although this floor is water resistant, it is not a moisture barrier. The subfloor must be dry (max 2.5% moisture content - CM method). This product is also not to be installed in areas that have a risk of flooding such as saunas or outdoor areas. When employing the direct glue down installation method, DO NOT include a 6-mil poly vapor barrier. Flooring material must be adhered directly to the subfloor.
- If this flooring is intended to be installed over an existing wood floor, or a plywood subfloor, it is recommended to repair any loose boards or squeaks before you begin the installation.
- Concrete subfloors must be fully cured for at least 60 days, and should have minimum 6-mil poly-film as a moisture barrier between the concrete subfloor and the flooring. Subfloor should be flat and level within 3/16" over a 10' span. If necessary, grind high spots down and level low spots with an approved levelling compound.

- Decide the installation direction. It is recommended to install the length direction of the planks parallel to the main light direction.
- Measure the area to be installed: The board width of the last row shall not be less than 2". If so, adjust the width of the first row to be installed. In narrow hallways, it is recommended to install the floor parallel to the length of the hall.
- Inspect each individual plank one by one before installation. No claims on surface defects will be accepted after installation.

IMPORTANT NOTICE

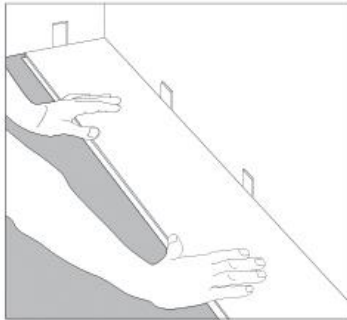
In-Floor Radiant Heat: Flooring can be installed over 1/2" (12mm) embedded radiant heat. Radiant heat systems must have a minimum of 1/2" (12mm) separation from the product. Maximum operating temperature should never exceed 85°F (30°C). Use of an in-floor temperature sensor is recommended to avoid overheating.

- Before installing over newly constructed radiant heat systems, operate the system at maximum capacity to force any residual moisture from the cementitious topping of the radiant heat system. The maximum moisture content should be 2.5% (CM method). Before starting the installation, turn the heat off for 24 hours before, during and 24 hours after installation when installing over radiant heated subfloors.
- Make sure that the temperature in the room is between 60°F (15°C) and 80°F (25°C) during installation.
- Once the installation has been completed, the heating system should be turned on and increased gradually (5 degree increments) until returning to normal operating conditions.
- Refer to the radiant heat system's manufacturer recommendations for additional guidance.

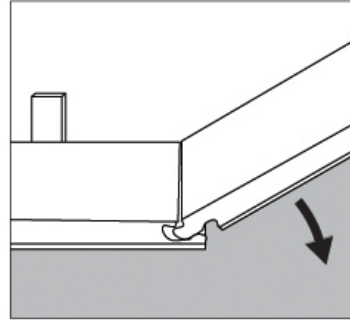
Warning: Electric heating mats that are not embedded into the subfloor are not recommended for use underneath the flooring. Using electric heating mats that are not embedded and applied directly underneath the flooring will void the warranty.

FLOOR INSTALLATION

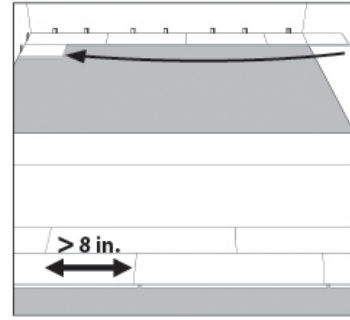
- Carefully follow the installation graphics and printed instructions below each picture.
- Take precautions with tapping blocks and pull bars so that the Unilin Angle/Tap tongue and groove system is not damaged.



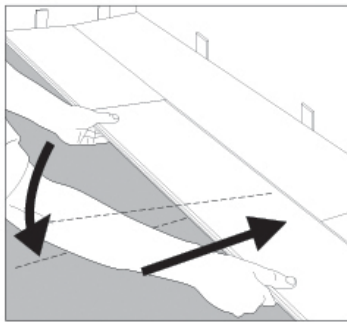
Step 1: Begin installation working from left to right. Insert 1/4" wide spacers at ends and edges where planks meet wall.



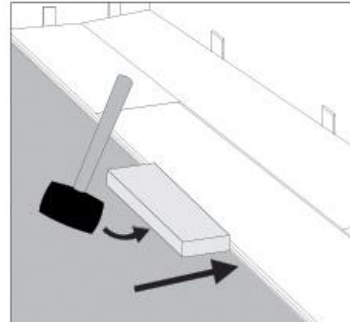
Step 2: Lock short end of plank by inserting tongue into groove at an approximate 30 degree angle and drop into place. Continue this process throughout the installation.



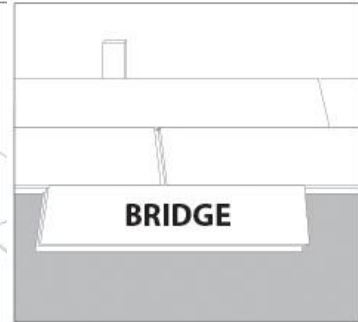
Step 3: Use the remaining plank from your cut piece to begin the next row (you will repeat this process throughout the installation). Note: It is recommended that you space end-joints by a minimum of 8 inches.



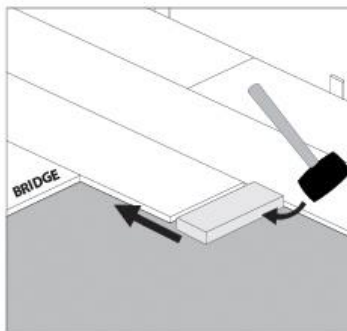
Step 4: Lock long edge of plank by inserting tongue into groove at an approximate 15 degree angle and drop into place. Next slide toward end of previously installed plank until the tongue touches the groove.



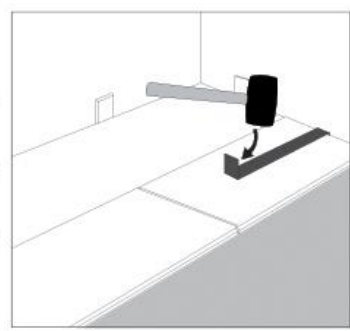
Step 5: IMPORTANT! Use a hammer and tapping block to tap the long edge of the plank to ensure a tight fit. Note: Tapping block should be a minimum of 10" to 12" long. It is important to note that any/all gapping can/will compromise the locking system.



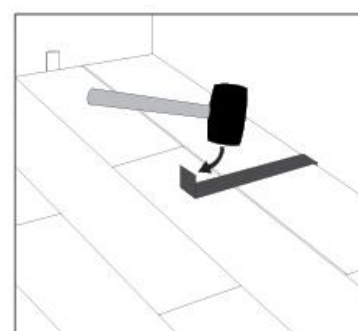
Step 6: Attach a scrap piece of floor to bridge gap between ends of planks.



Step 7: Tap end of plank with hammer and tapping block to lock ends of planks together. Remove support bridge and continue with this method until you have completed installing the row. Note: BE SURE TO TAP ON EDGE OF VINYL SO AS NOT TO DAMAGE LOCKING PROFILE.

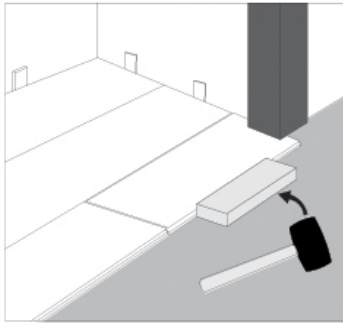


Step 8: Use hammer and pull bar to lock final piece in row. Insert spacer at end of row. Continue installation to final row.

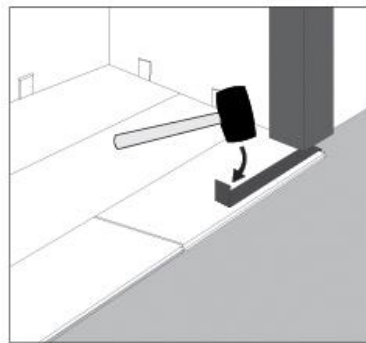


Step 9: Use hammer and pull bar to lock long edges of planks on final row.

INSTALLING UNDER DOOR JAMBS:



Step 1: Undercut door jamb to provide space to allow plank to slide freely. Tap long edge with hammer and tapping block to lock long edge.



Step 2: Use hammer and pull bar to draw in and lock short end of plank.

COMPLETING THE JOB – ALL INSTALLATIONS

- Sweep or vacuum floor.
- Clean the floor with proper hardwood floor cleaner.
- Install transition pieces -i.e. – thresholds, t-moldings, base boards and quarter round. Nail moldings to wall, not the floor.
- Inspect final floor for nicks and or minor gaps – fill with appropriate color wood putty.
- Unused material should be left with owner and stored in a dry place in case of future repairs are needed.
- Use plywood or hardboard when moving heavy appliances or furniture across floor.

Preventative Maintenance:

- Always protect floors from direct exposure of sunlight that can cause the wood or stain to change colors. Warranties do not cover damage from UV exposure. Recommended humidity levels are between 35% R.H. - 55% R.H.
- Protect floors when moving heavy objects to prevent permanent scratches and tears. The use of plywood and heavy cardboard are examples of protective barriers.
- Use appropriate wide floor protectors under tables, chairs, and any other heavy home furnishing to avoid permanent damage. As a rule, the heavier the object, the wider the floor protector.
- Walk-off mats should be used at all entrances to absorb soil and moisture. The use of appropriate mats will help avoid scratches and damages to the floor. If mats are placed directly on top of the hardwood floors, use proper indoor mats. Mats that can trap moisture underneath have potential to cause possible discoloration. Latex and rubber backings should not be used.
- Area rugs are recommended in high traffic and pivot areas. Avoid shoes with spiked or damaged heels. Also keep pets' paws and nails cleaned and trimmed.

