

homestyles

20 06661 0030

Dining Table



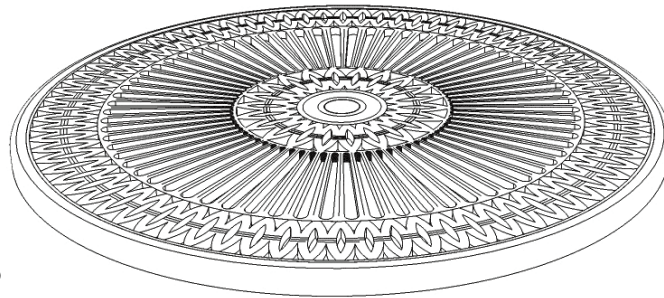
IMPORTANT

Carefully remove all the parts from the carton and place them individually on a soft cloth to prevent scratches or other damage.

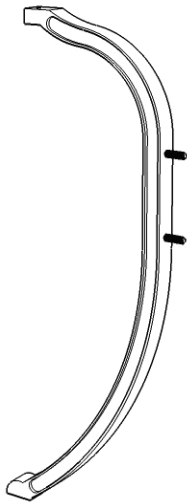
Carefully and strictly follow these assembly instructions to ensure a completed product as designed.

This product is made of aluminum. Do not use power tools above 8 volts to assemble and only tighten bolts until snug. Over tightening can damage the aluminum.

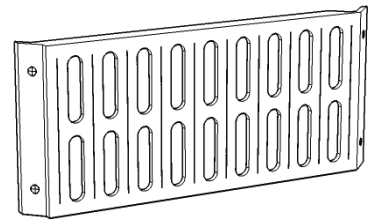
Part List



A.
Top
1 pc.



B.
Leg
4 pcs.



C.
Stretcher
4 pcs.

Hardware List



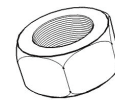
Hex Wrench
1 pc.

Wrench
1 pc.



Spring Washer
12 pcs. (+1 extra)

M8
Nut
12 pcs. (+1 extra)



Small Hex Wrench
1 pc.

M8x30
Bolt
4 pcs. (+1 extra)



Flat Washer
12 pcs. (+1 extra)

Cap
12 pcs. (+1 extra)



Cover
1 pc.



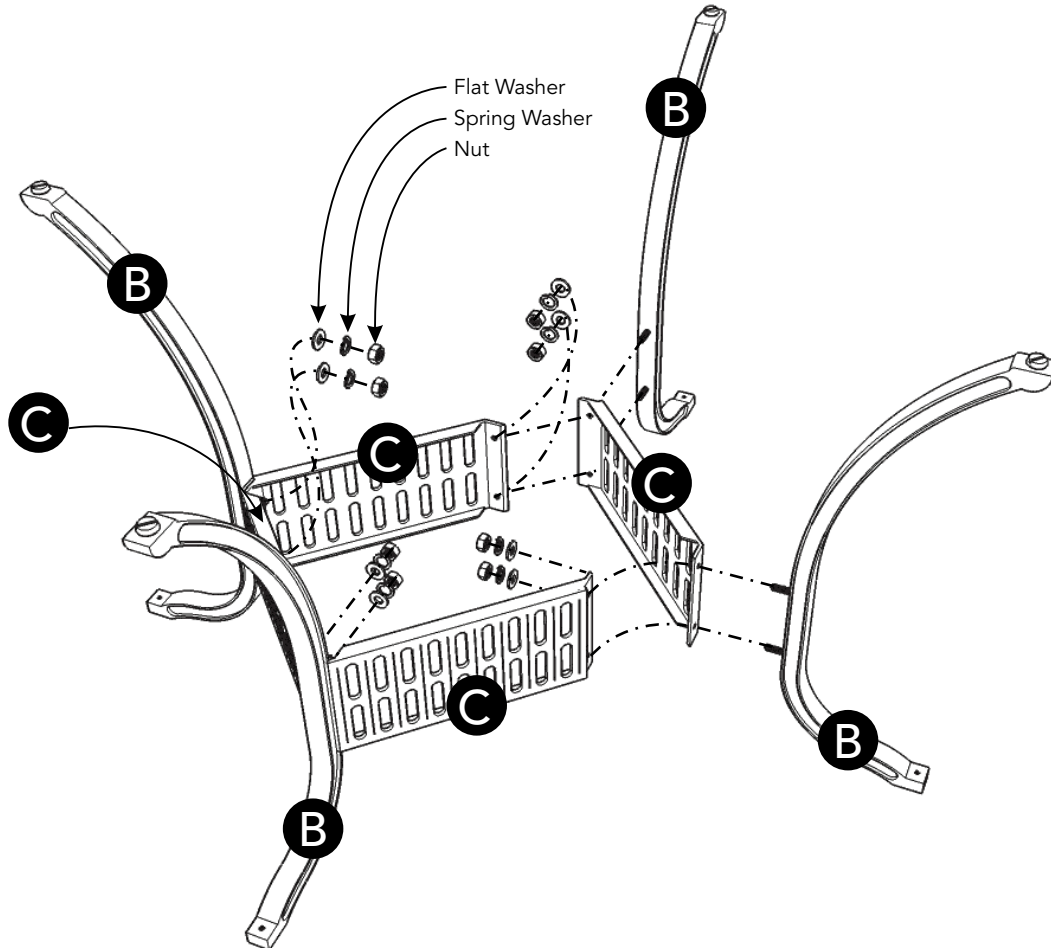
Tool(s) required for assembly: Level

Home Styles Customer Service: www.homestyles-furniture.com,
servicedesk@homestyles-furniture.com, 888-680-7460, 877-831-0319

Assembly Instructions 2/3

IMPORTANT

- Use a soft cloth between these parts and the floor.
- Do not use power tools above 8 volts to assemble.
- Do not tighten all the bolts until each part is properly assembled.
- The unit must be level to work properly. Use the included adjustable levelers to level.
- Keep Wrench as the bolts may need to be tightened in the future.



STEP 1

Attach Legs (B) to Stretchers (C) with Flat Washers, Spring Washers and Nuts, tightening Nuts only halfway. (See Figures 1 and 2)

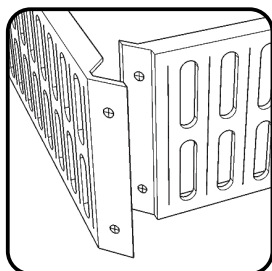


Figure 1

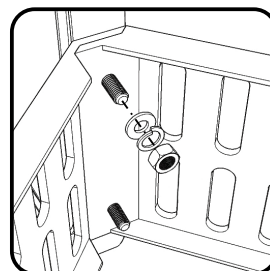


Figure 2

Assembly Instructions 3/3

STEP 2

Place Top (A) upside down on a soft cloth.

Insert Bolts into pre-drilled holes in Top (A), then tighten. (See Figure 3)

Attach unit to Top (A) with Flat Washers, Spring Washers and Nuts, tightening Nuts only halfway.

Tighten all Nuts used in Steps 1 and 2.

Cover all Nuts with Caps.

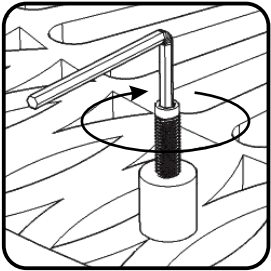
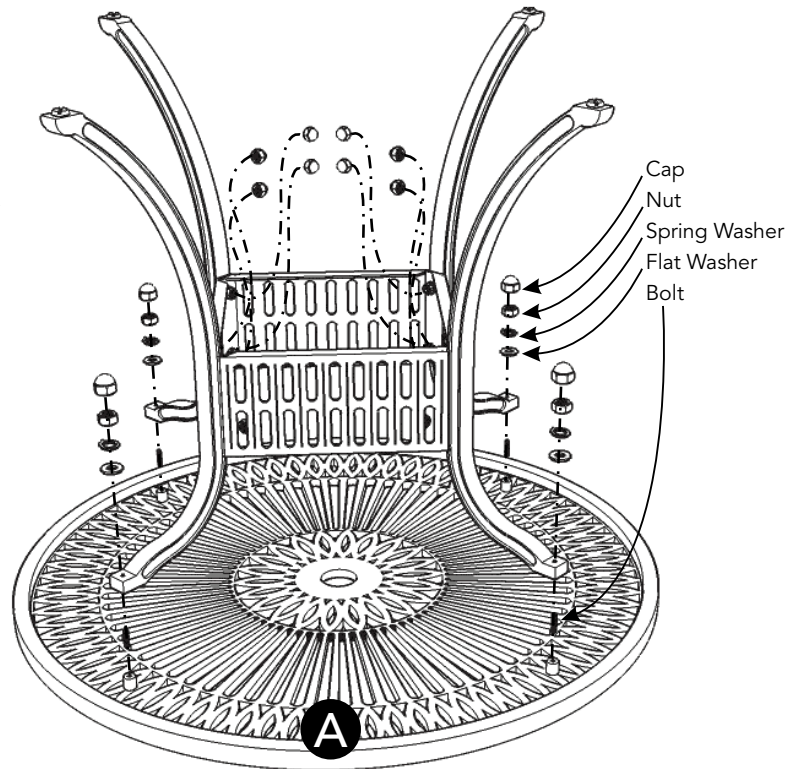


Figure 3

STEP 3

Turn table over to its upright position.

Cover umbrella hole with Cover.

Level table by adjusting the adjustable levelers on bottom of legs. (See Figure 4)

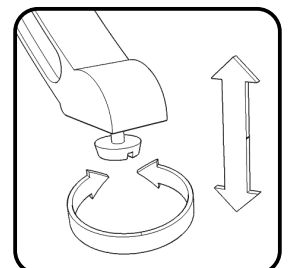
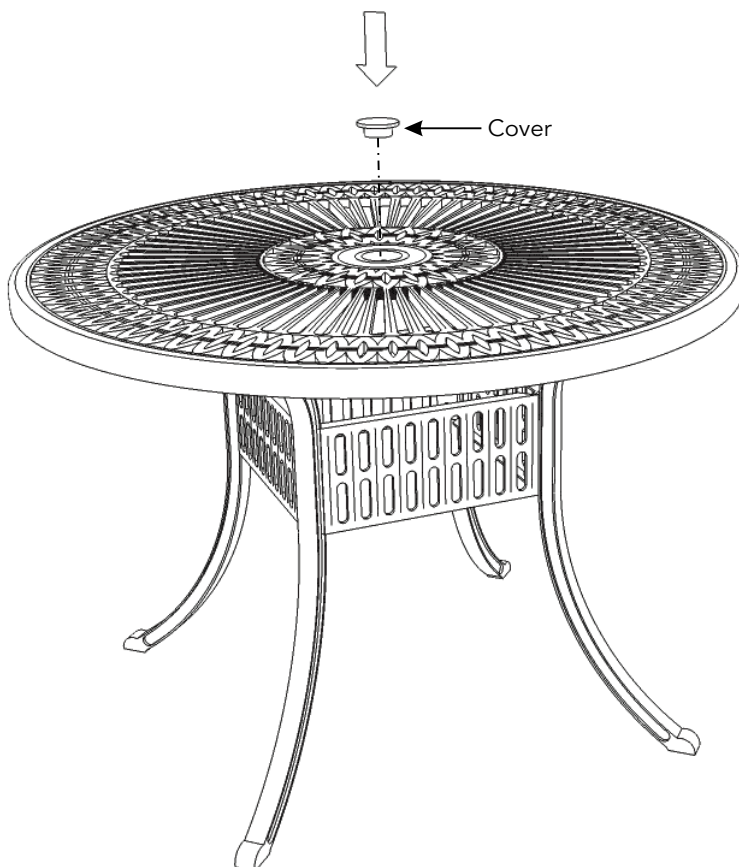


Figure 5

CARE INSTRUCTIONS

NEVER

allow liquids to remain on furniture.
Absorption causes parts to warp
and split and finishes to delaminate.

NEVER

use glass cleaners on
finished furniture. Ammonia
chemically attacks the finish.



Do not use power tools
above 8 volts to assemble.
**PREVENT
CRACKING**



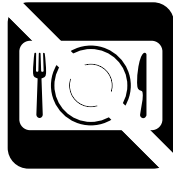
Do not place
in direct sunlight.
**PREVENT
FADING**



Do not write
directly on surface.
**PREVENT
MARKING**



Do not place hot
objects on surface.
**PREVENT
FINISH DAMAGE**



Do not use rubber
based placemats.
**PREVENT
DISCOLORING**



Do not use commercial
waxes and polishes.
**PREVENT
YELLOWING**

CLEAN

with a soft cloth moistened
in lukewarm soap and water.
Buff with a dry clean cloth.

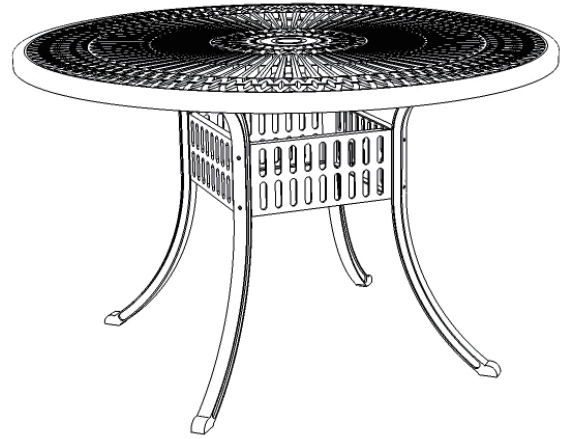


Home Styles will provide replacements free of charge for missing or damaged hardware or parts within 30 days of purchase. Digital images of the defective parts may be required. If the product was not purchased from an authorized retail affiliate, Home Styles is under no obligation to provide replacement parts. Parts are not available for fully assembled items nor are parts available for sale. Replacements for missing or damaged hardware or parts may be requested at:

www.homestyles-furniture.com/customer-service/replacement-parts

Home Styles Customer Service: www.homestyles-furniture.com,
servicedesk@homestyles-furniture.com, 888-680-7460, 877-831-0319

Dining Table



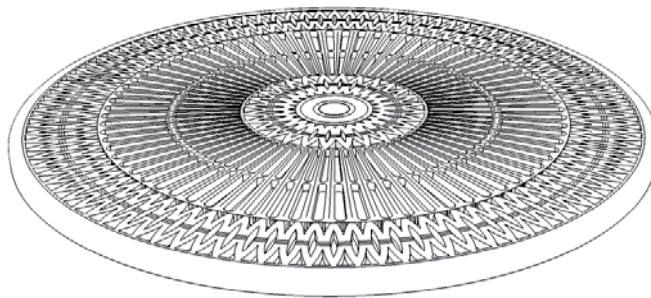
IMPORTANT

Carefully remove all the parts from the carton and place them individually on a soft cloth to prevent scratches or other damage.

Carefully and strictly follow these assembly instructions to ensure a completed product as designed.

This product is made of aluminum. Do not use power tools above 8 volts to assemble and only tighten bolts until snug. Over tightening can damage the aluminum.

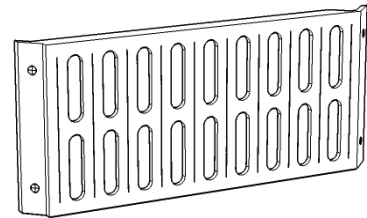
Part List



A.
Top
1 pc.



B.
Leg
4 pcs.



C.
Stretcher
4 pcs.

Hardware List



Hex Wrench
1 pc.



Wrench
1 pc.



Spring Washer
12 pcs. (+1 extra)



M8
Nut
12 pcs. (+1 extra)



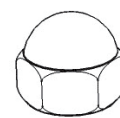
Small Hex Wrench
1 pc.



M8x30
Bolt
4 pcs. (+1 extra)



Flat Washer
12 pcs. (+1 extra)



Cap
12 pcs. (+1 extra)



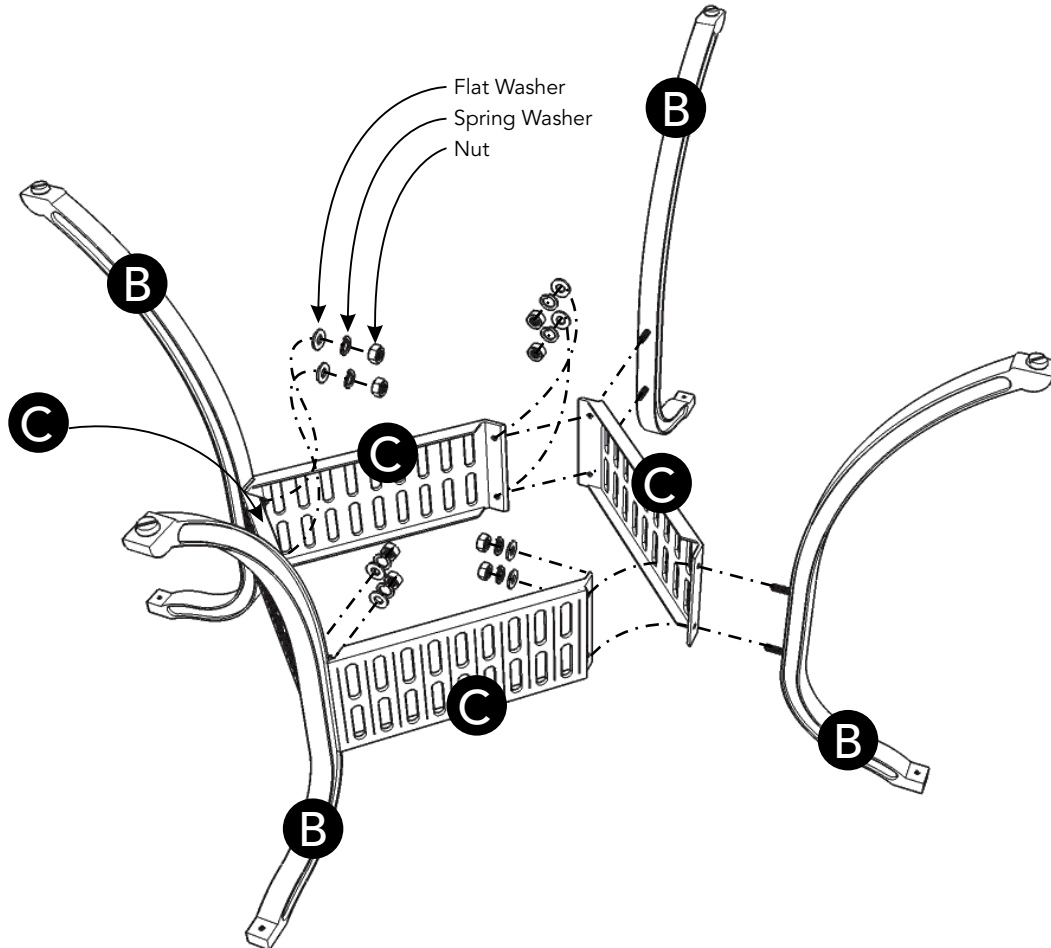
Cover
1 pc.

Tool(s) required for assembly: Level

Assembly Instructions 2/3

IMPORTANT

- Use a soft cloth between these parts and the floor.
- Do not use power tools above 8 volts to assemble.
- Do not tighten all the bolts until each part is properly assembled.
- The unit must be level to work properly. Use the included adjustable levelers to level.
- Keep Wrench as the bolts may need to be tightened in the future.



STEP 1

Attach Legs (B) to Stretchers (C) with Flat Washers, Spring Washers and Nuts, tightening Nuts only halfway. (See Figures 1 and 2)

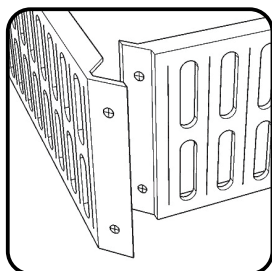


Figure 1

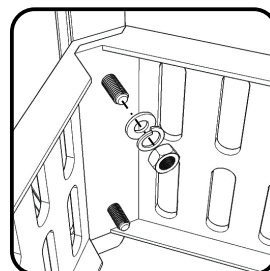


Figure 2

Assembly Instructions 3/3

STEP 2

Place Top (A) upside down on a soft cloth.

Insert Bolts into pre-drilled holes in Top (A), then tighten. (See Figure 3)

Attach unit to Top (A) with Flat Washers, Spring Washers and Nuts, tightening Nuts only halfway.

Tighten all Nuts used in Steps 1 and 2.

Cover all Nuts with Caps.

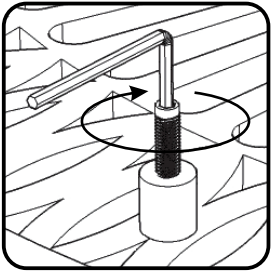
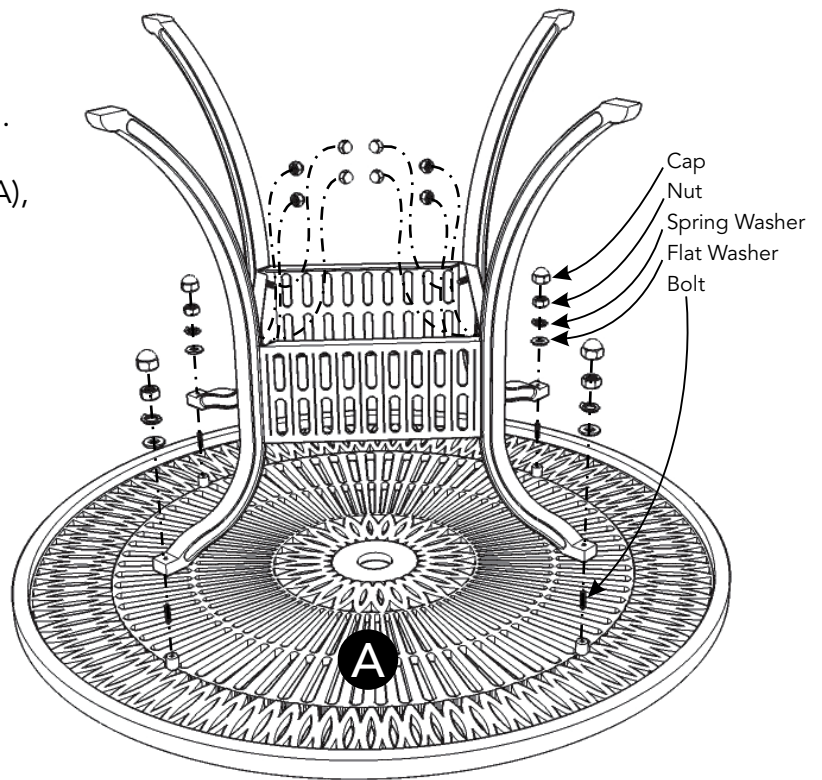


Figure 3

STEP 3

Turn table over to its upright position.

Cover umbrella hole with Cover.

Level table by adjusting the adjustable levelers on bottom of legs.
(See Figure 4)

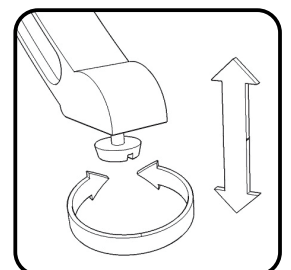


Figure 4

CARE INSTRUCTIONS

NEVER

allow liquids to remain on furniture.
Absorption causes parts to warp
and split and finishes to delaminate.

NEVER

use glass cleaners on
finished furniture. Ammonia
chemically attacks the finish.



Do not use power tools
above 8 volts to assemble.
**PREVENT
CRACKING**



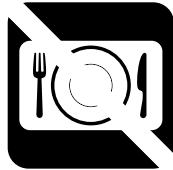
Do not place
in direct sunlight.
**PREVENT
FADING**



Do not write
directly on surface.
**PREVENT
MARKING**



Do not place hot
objects on surface.
**PREVENT
FINISH DAMAGE**



Do not use rubber
based placemats.
**PREVENT
DISCOLORING**



Do not use commercial
waxes and polishes.
**PREVENT
YELLOWING**

CLEAN

with a soft cloth moistened
in lukewarm soap and water.
Buff with a dry clean cloth.

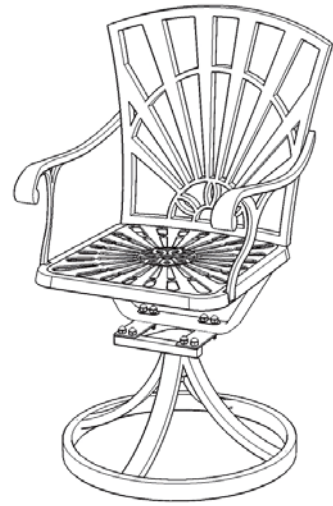


Home Styles will provide replacements free of charge for missing or damaged hardware or parts within 30 days of purchase. Digital images of the defective parts may be required. If the product was not purchased from an authorized retail affiliate, Home Styles is under no obligation to provide replacement parts. Parts are not available for fully assembled items nor are parts available for sale. Replacements for missing or damaged hardware or parts may be requested at:

www.homestyles-furniture.com/customer-service/replacement-parts

Home Styles Customer Service: www.homestyles-furniture.com,
servicedesk@homestyles-furniture.com, 888-680-7460, 877-831-0319

Swivel Arm Chair



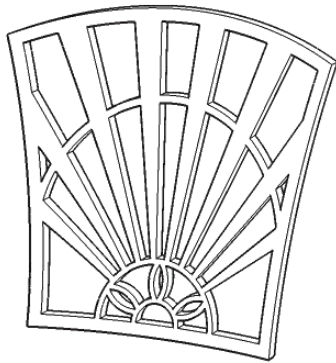
IMPORTANT

Carefully remove all the parts from the carton and place them individually on a soft cloth to prevent scratches or other damage.

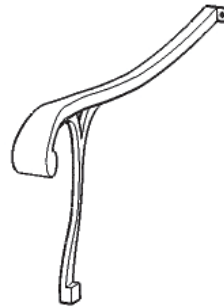
Carefully and strictly follow these assembly instructions to ensure a completed product as designed.

This product is made of aluminum. Do not use power tools above 8 volts to assemble and only tighten bolts until snug. Over tightening can damage the aluminum.

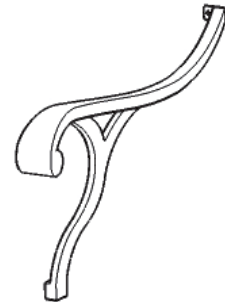
Part List



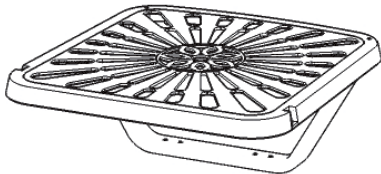
A.
Back
1 pc.



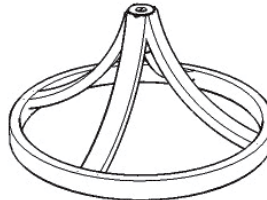
C.
Arm
1 pc.



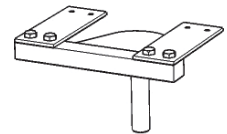
D.
Arm
1 pc.



B.
Seat
1 pc.



E.
Base
1 pc.



F.
Connector
1 pc.

Hardware List



Wrench
1 pc.

M8x35
Bolt

4 pcs. (+1 extra)



Flat Washer (large)
4 pcs. (+1 extra)



Spring Washer (large)
6 pcs. (+1 extra)



Flat Washer (large)
2 pcs. (+1 extra)



Nut
4 pcs. (+1 extra)



Cap
8 pcs. (+1 extra)



Hex Wrench
1 pc.



Small Hex Wrench
1 pc.



Flat Washer
4 pcs. (+1 extra)



Spring Washer
4 pcs. (+1 extra)



M6x15
Head Cap Bolt (short)
4 pcs. (+1 extra)



M8x30
Head Cap Bolt (long)
2 pcs. (+1 extra)

Assembly Instructions 2/3

IMPORTANT

- Use a soft cloth between these parts and the floor.
- Do not use power tools above 8 volts to assemble.
- Do not tighten all the bolts until each part is properly assembled.
- Keep Wrench as the bolts and nuts may need to be tightened in the future.

STEP 1

Attach Seat (B) to Back (A) with Flat Washers (large), Spring Washers (large) and Head Cap Bolts (long), tightening bolts only halfway. (See Figure 1)

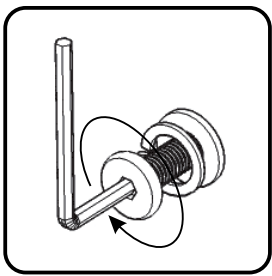
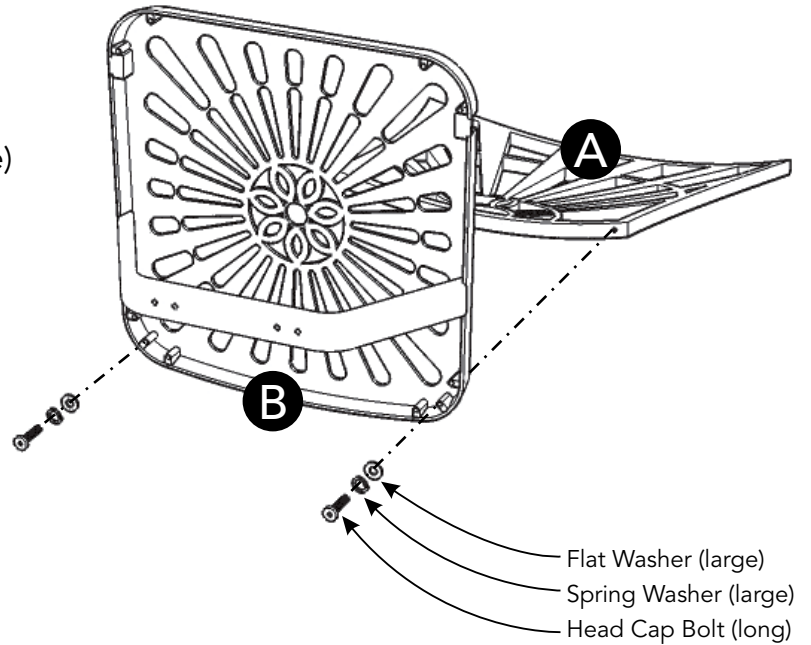


Figure 1



STEP 2

Attach Connector (F) to unit with Bolts, Flat Washers (large), Spring Washers (large) and Nuts, tightening bolts and nuts only halfway. (See Figure 2)

Tighten all Bolts and Nuts used in this step.

Cover all Bolts with Caps.

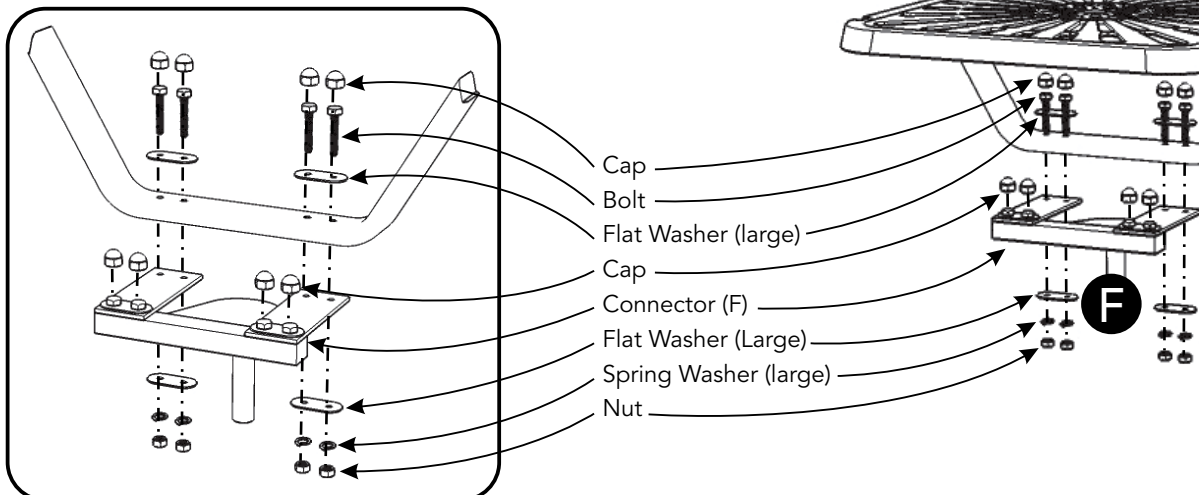
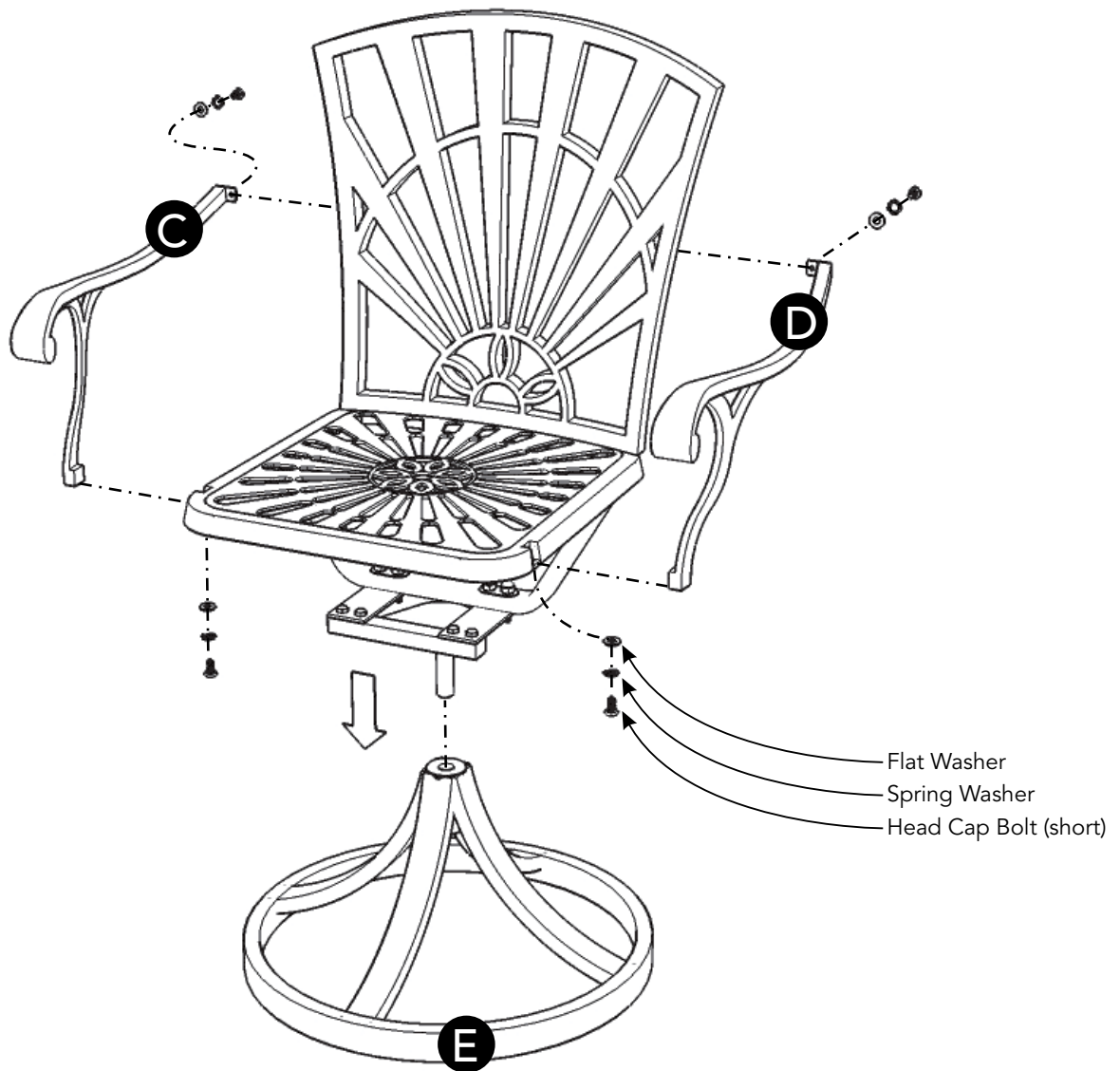


Figure 2

Assembly Instructions 3/3



STEP 3

Place unit onto Base (E).

Attach Arms (C) and (D) to unit with Flat Washers, Spring Washers and Head Cap Bolts (short), tightening bolts only halfway.

Tighten all Head Cap Bolts used in Steps 1 and 3.

CARE INSTRUCTIONS

NEVER

allow liquids to remain on furniture.
Absorption causes parts to warp
and split and finishes to delaminate.

NEVER

use glass cleaners on
finished furniture. Ammonia
chemically attacks the finish.



Do not use power tools
above 8 volts to assemble.
**PREVENT
CRACKING**



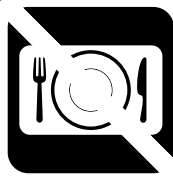
Do not place
in direct sunlight.
**PREVENT
FADING**



Do not write
directly on surface.
**PREVENT
MARKING**



Do not place hot
objects on surface.
**PREVENT
FINISH DAMAGE**



Do not use rubber
based placemats.
**PREVENT
DISCOLORING**



Do not use commercial
waxes and polishes.
**PREVENT
YELLOWING**

CLEAN

with a soft cloth moistened
in lukewarm soap and water.
Buff with a dry clean cloth.

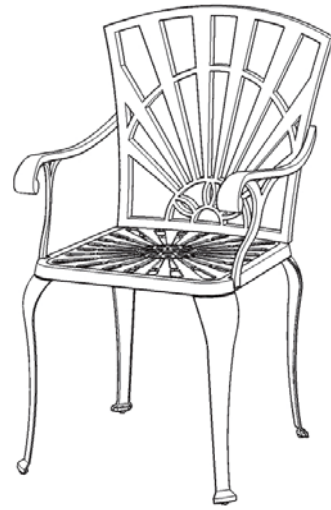


Home Styles will provide replacements free of charge for missing or damaged hardware or parts within 30 days of purchase. Digital images of the defective parts may be required. If the product was not purchased from an authorized retail affiliate, Home Styles is under no obligation to provide replacement parts. Parts are not available for fully assembled items nor are parts available for sale. Replacements for missing or damaged hardware or parts may be requested at:

www.homestyles-furniture.com/customer-service/replacement-parts

Home Styles Customer Service: www.homestyles-furniture.com,
servicedesk@homestyles-furniture.com, 888-680-7460, 877-831-0319

Arm Chair



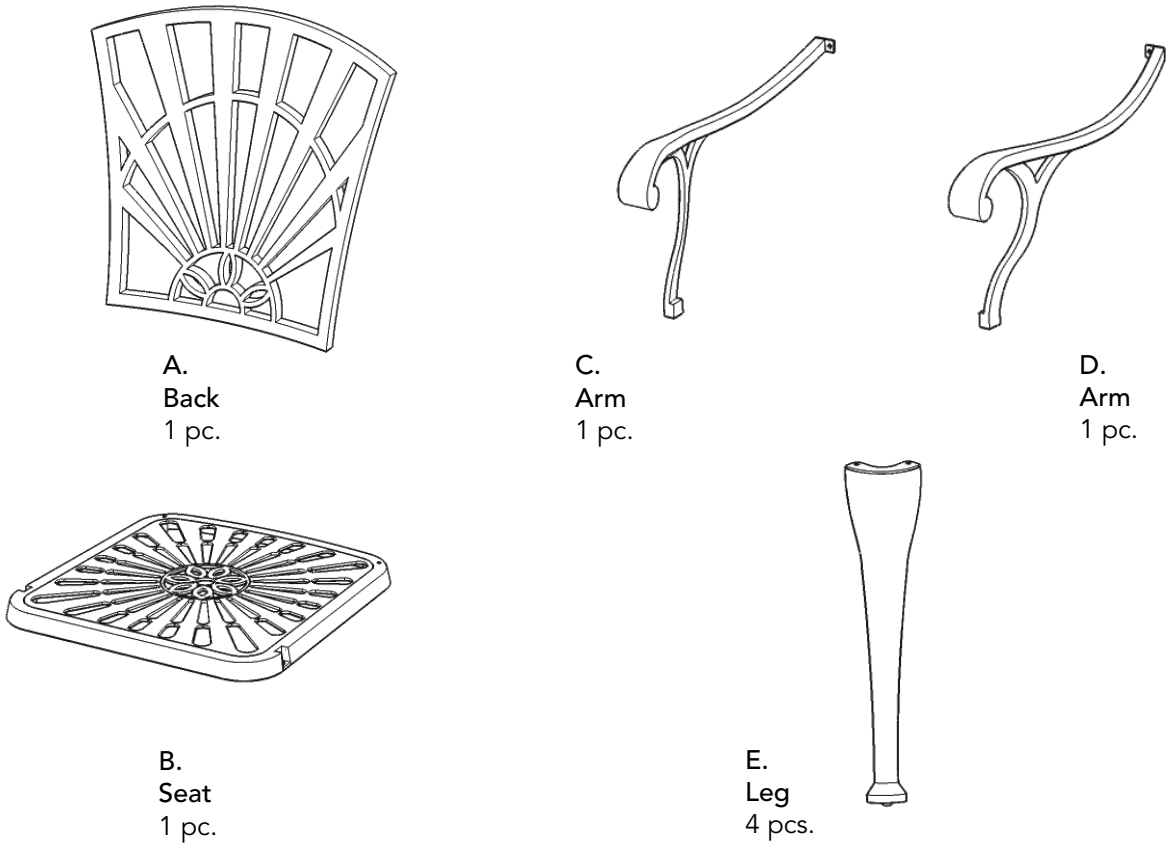
IMPORTANT

Carefully remove all the parts from the carton and place them individually on a soft cloth to prevent scratches or other damage.

Carefully and strictly follow these assembly instructions to ensure a completed product as designed.

This product is made of aluminum. Do not use power tools above 8 volts to assemble and only tighten bolts until snug. Over tightening can damage the aluminum.

Part List



Hardware List



Tool(s) required for assembly: Level

Assembly Instructions 2/3

IMPORTANT

- Use a soft cloth between these parts and the floor.
- Do not use power tools above 8 volts to assemble.
- Do not tighten all the bolts until each part is properly assembled.
- The unit must be level to work properly. Use the included adjustable levelers to level.
- Keep Hex Wrench as the bolts may need to be tightened in the future.

STEP 1

Attach Seat (B) to Back (A) with Flat Washers (large), Spring Washers (large) and Head Cap Bolts (long), tightening bolts only halfway. (See Figure 1)

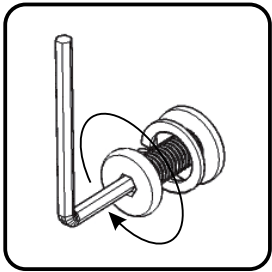
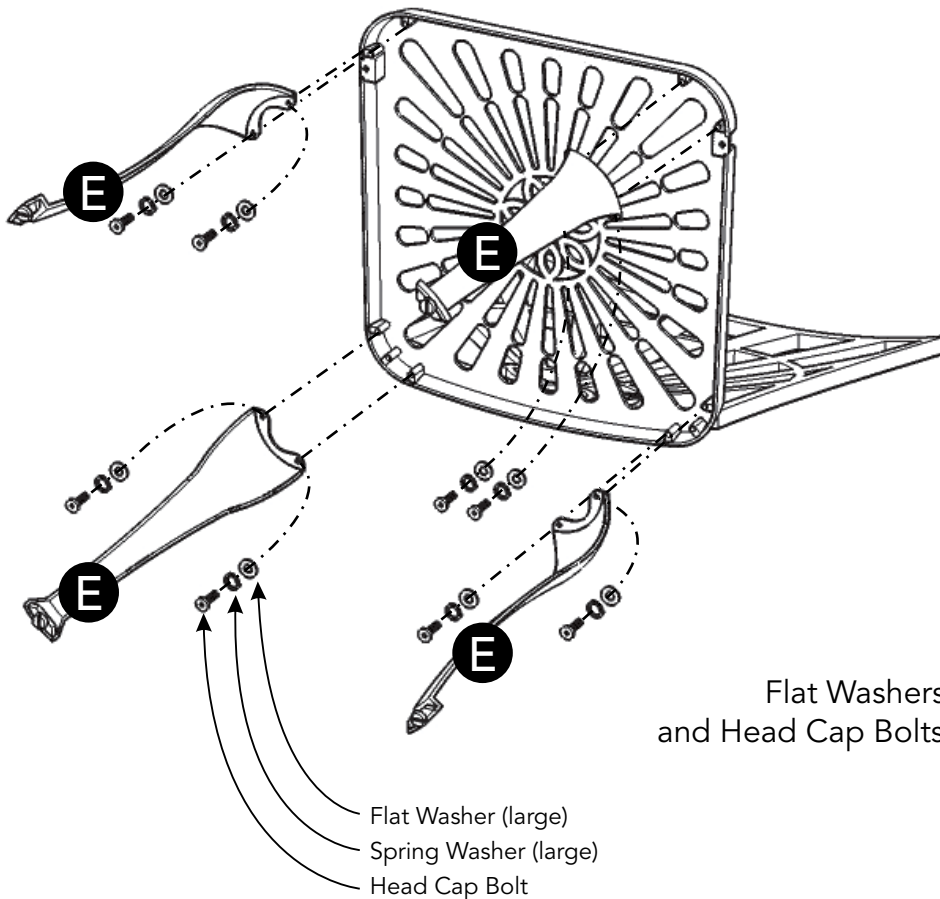
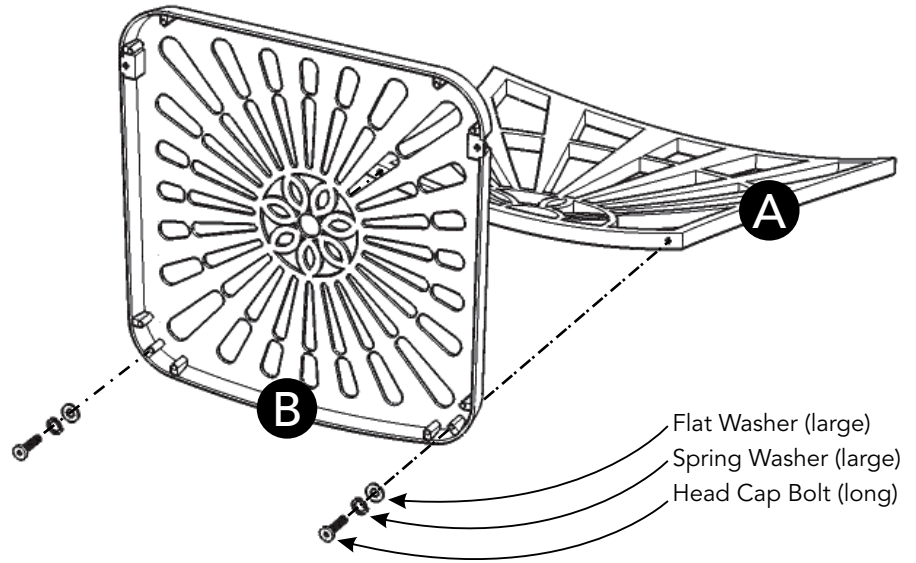


Figure 1



STEP 2

Attach Legs (E) to unit with Flat Washers (large), Spring Washers (large) and Head Cap Bolts, tightening bolts only halfway.

Assembly Instructions 3/3

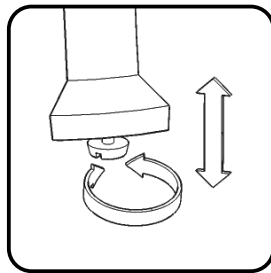
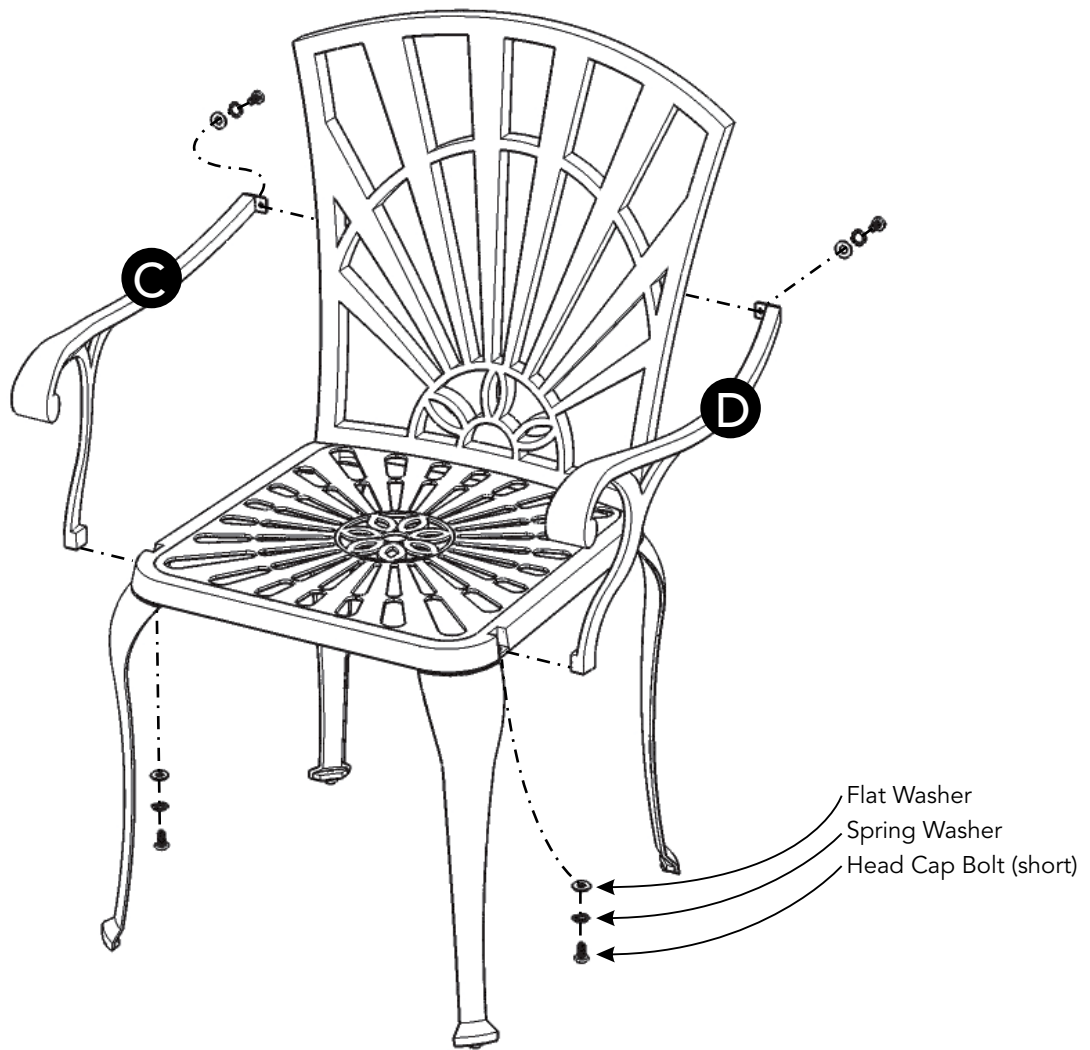


Figure 2

STEP 3

Turn unit to its upright position.

Attach Arms (C) and (D) to unit with Flat Washers, Spring Washers and Head Cap Bolts (short), tightening bolts only halfway.

Tighten all Head Cap Bolts used in Steps 1, 2 and 3.

Level unit by adjusting the adjustable levelers on bottom of legs. (See Figure 2)

CARE INSTRUCTIONS

NEVER

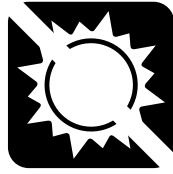
allow liquids to remain on furniture.
Absorption causes parts to warp
and split and finishes to delaminate.

NEVER

use glass cleaners on
finished furniture. Ammonia
chemically attacks the finish.



Do not use power tools
above 8 volts to assemble.
**PREVENT
CRACKING**



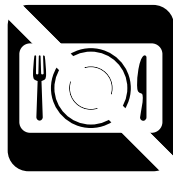
Do not place
in direct sunlight.
**PREVENT
FADING**



Do not write
directly on surface.
**PREVENT
MARKING**



Do not place hot
objects on surface.
**PREVENT
FINISH DAMAGE**



Do not use rubber
based placemats.
**PREVENT
DISCOLORING**



Do not use commercial
waxes and polishes.
**PREVENT
YELLOWING**

CLEAN

with a soft cloth moistened
in lukewarm soap and water.
Buff with a dry clean cloth.



Home Styles will provide replacements free of charge for missing or damaged hardware or parts within 30 days of purchase. Digital images of the defective parts may be required. If the product was not purchased from an authorized retail affiliate, Home Styles is under no obligation to provide replacement parts. Parts are not available for fully assembled items nor are parts available for sale. Replacements for missing or damaged hardware or parts may be requested at:

www.homestyles-furniture.com/customer-service/replacement-parts

Home Styles Customer Service: www.homestyles-furniture.com,
servicedesk@homestyles-furniture.com, 888-680-7460, 877-831-0319

88 5561 37 Dining Table

IMPORTANT NOTE

This product is made from sturdy, high quality aluminum and will provide years of enjoyment. Do not use power tools to assemble and only tighten bolts until they are snug.

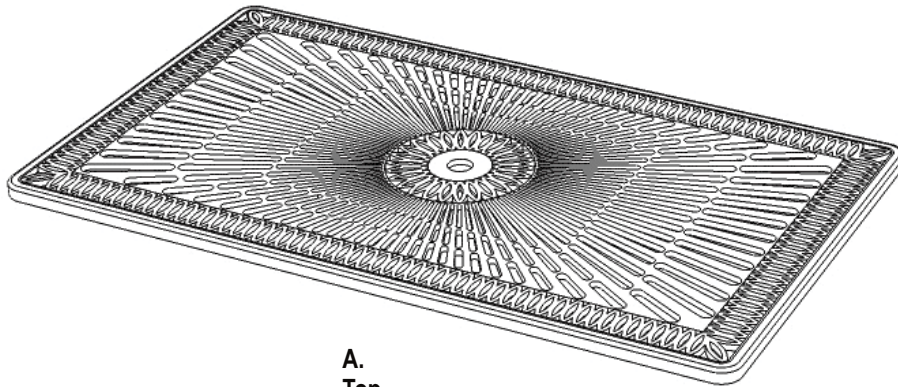
Carefully remove all the parts from the carton and put them individually on a soft cloth to prevent scratches or other damage occurring to the parts.

We have taken great care in the design of this product and request that you carefully and strictly follow our assembly instructions to ensure a completed product as it was designed.



*Home
Styles*

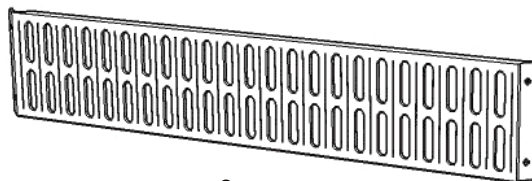
Part List



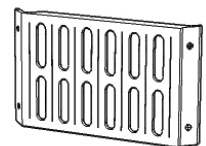
A.
Top
1 pc.



B.
Leg
4 pcs.



C.
Side Frame
2 pcs.



D.
Side Frame
2 pcs.

Hardware List



Key Wrench
1 pc.



Flat Washer
12 pcs. (+1 extra)



Nut
12 pcs. (+1 extra)



Cover
1 pc.



M8x40 Bolt
4 pcs. (+1 extra)



Spring Washer
12 pcs. (+1 extra)



Nut Cap
12 pcs. (+1 extra)

Tools required for assembly : Slotted screwdriver

Tools recommended for assembly : Level

Home Styles Consumer Assistance : www.homestyles-furniture.com,
servicedesk@homestyles-furniture.com, 888-680-7460, 877-831-0319

IMPORTANT

- * Please keep Key Wrench in a safe place as you may need to tighten up the Nuts in the future.
- * Use a soft cloth between these parts and the floor.
- * Do not use power tools to assembly and do not tightening the bolts and nuts.
- * Do not tighten up all the bolts and nuts until each part is properly assembled.
- * After assembly item must be level to work properly. Use the included adjustable levelers to level.

STEP 1

Attach Legs (B) to Side Frames (C) and Side Frames (D) with Flat Washers, Spring Washers, Nuts and Nut Caps. (See Figure 1 and Figure 2)

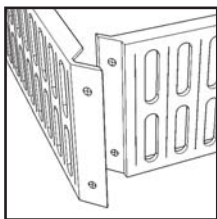


Figure 1

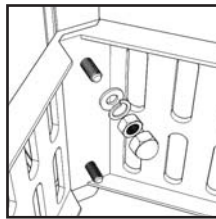
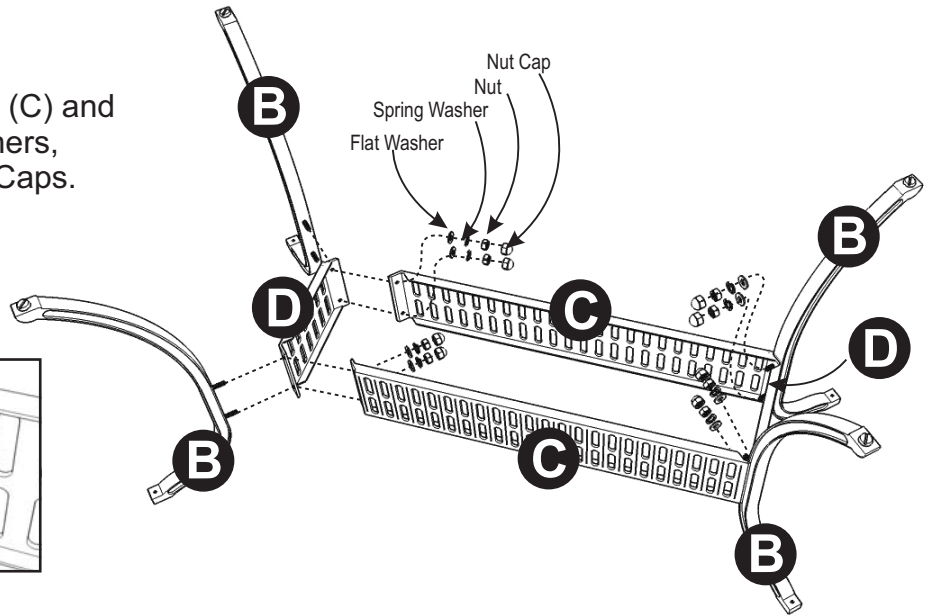


Figure 2



STEP 2

Place Top (A) upside down on a soft cloth.

Insert Bolts into the pre-drilled holes of Top (A). (See Figure 3)

Attach unit to Top (A) with Flat Washers, Spring Washers, Nuts and Nut Caps.

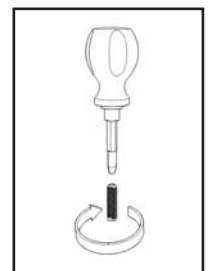
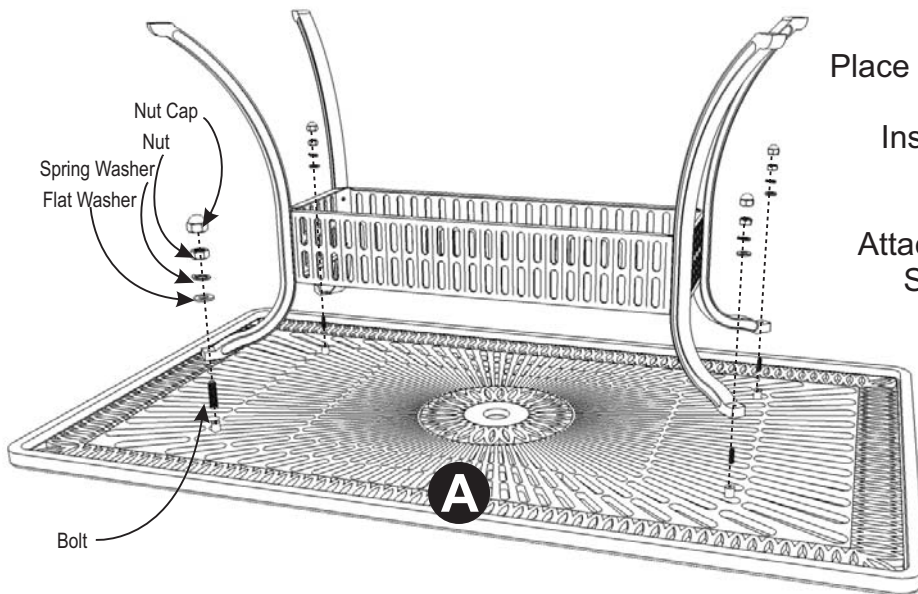


Figure 3

STEP 3

Turn the unit over to its' upright position.

Cover the umbrella hole with Cover.

To level the unit, adjust the adjustable levelers on the bottom of the legs. (See Figure 4)

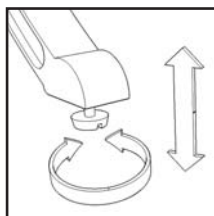


Figure 4

