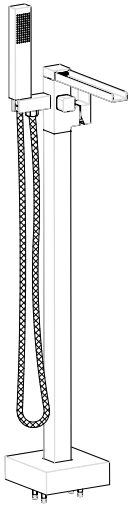
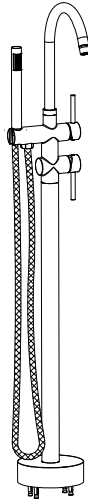


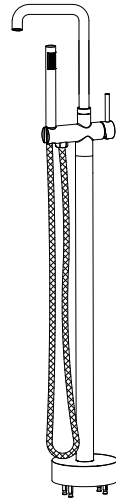
# Installation Manual



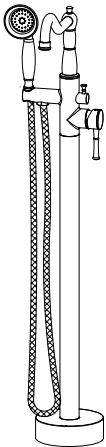
Model:8002



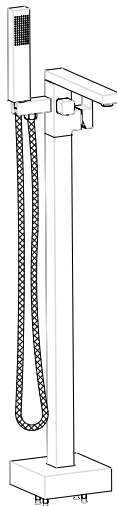
Model:8005



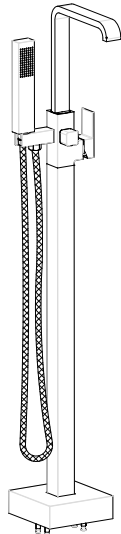
Model:8008



Model:8009



Model:8010



Model:8015

# INDEX

1. cUPC Certification.....	P01-02
2. Installation Preparation & Maintenance.....	P03
3. 8002.....	P04-06
4. 8005.....	P07-09
5. 8008.....	P10-12
6. 8009.....	P13-15
7. 8010.....	P16-18
8. 8015.....	P19-21

# IAPMO RESEARCH AND TESTING, INC.

5001 E. Philadelphia Street, Ontario, CA 91761 • Phone (909) 472-4100 • Fax (909) 472-4244 • www.iapmort.org



## CERTIFICATE OF LISTING



IAPMO Research and Testing, Inc. is a product certification body in which its product certification system includes inspection and testing of samples taken from the supplier's stock or from the market or a combination of both to verify compliance to the requirements of applicable codes and standards. This activity is coupled with periodic surveillance of the supplier's factory and/or warehouses as well as the assessment of the supplier's Quality Assurance System. This listing is subject to the conditions set forth in the characteristics below and is not to be construed as any recommendation, assurance or guarantee by IAPMO Research and Testing, Inc. of the product acceptance by Authorities Having Jurisdiction.

*Issued To:*

### JIANGMEN MEITUO SANITARY WARE CO LTD

AREA A, AREA B, 3RD FLOOR, BLOOK 3, NO. 5-3, CHENGNAN 1ST ROAD, CUIZHAN LAKE KAIPING, GUANDONG, CHINA

*Product:*

### Plumbing Fixture Fittings

*Products are in compliance with the following code(s):*

**Uniform Plumbing Code (UPC®)  
National Plumbing Code of Canada**

*Products are certified to the following standard(s)*

**ASME A112.18.1-2018/CSA B125.1-18**

**File Number:** 14172

**Effective Date:** May 2023

**Void After:** May 2028\*

  
Chairman, Product Certification Committee



  
Chief Technical Service Officer

\*This certificate is not evidence of current listing. To verify listing status, visit the IAPMO R&T Product Listing Directory at [pld.iapmo.org](http://pld.iapmo.org)

This listing period is based upon the last date of the month indicated on the Effective Date and Void After Date shown above. Any change in material, manufacturing process, marking or design without having first obtained the approval of the Product Certification Committee, or any evidence of non-compliance with applicable codes and standards or of inferior workmanship, may be deemed sufficient cause for revocation of this listing. Production of or reference to this form for advertising purposes may be made only by specific written permission of IAPMO Research and Testing, Inc. Any alteration of this certificate could be grounds for revocation of the listing. This document shall be reproduced in its entirety.

# IAPMO RESEARCH AND TESTING, INC.

## CERTIFICATE OF LISTING



Issued To: JIANGMEN MEITUO SANITARY WARE CO LTD

Effective Date: May 2023

File Number: 14172

Product: Plumbing Fixture Fittings

Void After: May 2028

This certificate is not evidence of current listing. To verify listing status, visit the IAPMO R&T Product Listing Directory at [pld.iapmo.org](http://pld.iapmo.org)

### Identification:

Plumbing supply fittings shall be marked with the manufacturer's recognized name, trademark, or other mark or, in the case of private labeling, the name, trademark or other mark of the customer for whom the fitting was manufactured. The marking shall be accomplished by use of a permanent mark or by placing a permanent label on the product. Markings on plumbing supply fittings shall be visible after installation.

Showerheads and hand-held showers shall be marked with the manufacturer's specified maximum flow rate, in L/min and gpm.

Kitchen, lavatory, and metering faucets shall be marked with the manufacturer's specified maximum flow rate, in L/min and gpm or L/cycle and gpc.

Single-handle and single-control bath and shower mixing valves shall have their temperature control settings identified alphabetically, numerically, or graphically.

High-efficiency commercial pre-rinse spray valves shall be marked with the manufacturer's specified maximum flow rate, in L/min (gpm).

Listed products shall bear the cUPC® certification mark.

Packaging for plumbing supply fittings shall be marked with the manufacturer's name, trademark, or other mark as well as the model number or, in the case of private labeling, the name, trademark, or mark of the customer for whom the fitting was manufactured as well as the model number.

Packaging for showerheads and hand-held showers shall be marked with the manufacturer's specified maximum flow rate and either the manufacturer's specified minimum flow rate or the statement "For use with automatic compensating valves rated at xxx L/min (yyy gpm) or less", where xxx L/min (yyy gpm) is the manufacturer's specified minimum flow rate.

Packaging for kitchen, lavatory, and metering faucets shall be marked with the manufacturer's specified maximum flow rate, in L/min and gpm or L/cycle and gpc.

### Characteristics:

Fittings may include lavatory, sink, bath & shower, lawn and sediment faucets. Plumbing fixture fittings to be installed in accordance with the manufacturer's instructions and the requirements of the latest edition of the Uniform Plumbing Code and National Plumbing Code of Canada.

Products listed on this certificate have been tested by an IAPMO R&T recognized laboratory. This recognition has been granted based upon the laboratory's compliance to the applicable requirements of ISO/IEC 17025.

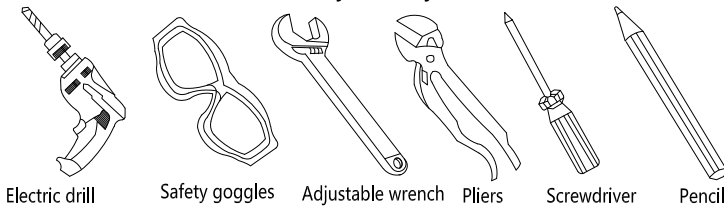
## 1. Installation Precautions

1. When you open the product packing, please check the product and accessories at first. If there is any discrepancy, please contact the company or our distributor immediately.
2. The hot and cold water supply pipe of the faucet must be properly connected. When facing the front of the faucet, the hot water supply is on the left and cold water supply is on the right. Incorrect connection will cause permanent damage to the cartridge.
3. If the accessories to be changed without affecting the use, we will not make a prior notice.
4. The impurities in the water supply pipe must be cleared before installation to avoid blockage.
5. The water pressure of the faucet is 20 PSI -100 PSI (including cold water and hot water pressure). Applicable water temperature range: 40°F -170°F.

## 2. Preparation before installation

1. Please read the installation manual carefully before installation.
2. Installation work must be performed by a professional installer.
3. Installation tool.

### Tools you may need.



Electric drill

Safety goggles

Adjustable wrench

Pliers

Screwdriver

Pencil

## 3. Product reparation

If the cartridge is worn out which cause leakage, please turn off the water source. Remove the handle, panel, and decorative cover in sequence, remove the gland with a wrench, then take out the cartridge and copper sleeve.

Repair or replace the new cartridge, then install it again in sequence.

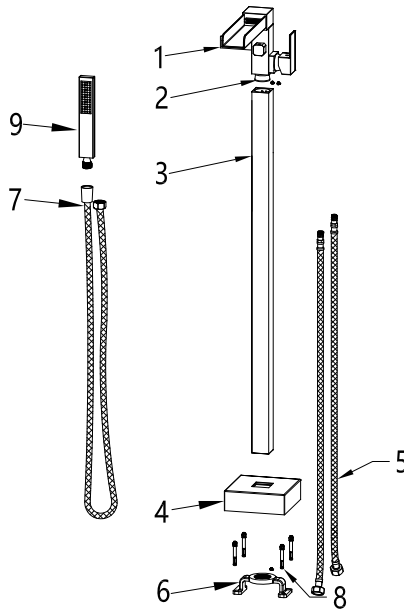
## 4. Clearance and Maintenance

In order to keep the faucet appearance smooth and good performance, please follow the below steps to clean and maintain the faucet.

1. Clean with water and dry with a soft cotton cloth.
2. Use a mild liquid and a colorless glass cleaner to remove surface dirt and scale, also you can use the cleaner without grinding function.
3. Do not use detergents, polishing tools, abrasive cloth, paper towels or scrapers to clean the faucet.
4. Do not use acid cleaners, insoluble granular detergents, soaps, etc to clean the faucet.

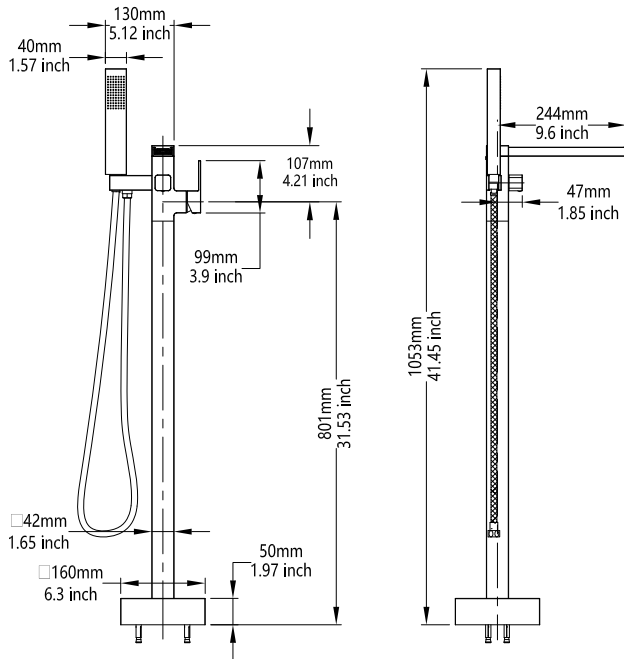
# Model: 8002

## Installation Instruction 1/3



No	Description	QTY
1	Tub filler spout	1
2	Mixer	1
3	Standing pipe	1
4	Escutcheon	1
5	Water supply lines	2
6	Fix bracket base	1
7	Shower hose	1
8	Fix screw set	4
9	Hand shower	1

## Installation Instruction

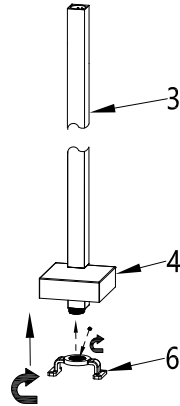
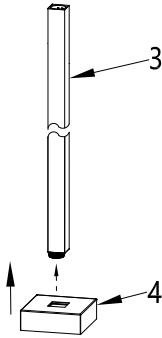


# Model: 8002

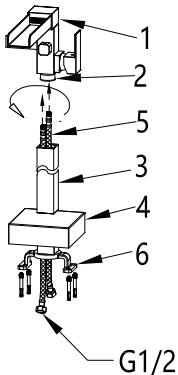
## Installation Instruction 2/3

### Installation steps

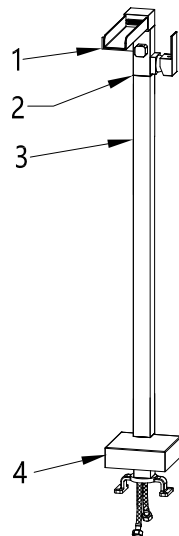
1. Place the escutcheon (#4) over the standing pipe (#3) and push it to the base, then turn the fix bracket base to standing pipe.



2. Turn the inlet supplies to mixer, verify the hot one with red line and the cold one with the blue line. Attach the mixer (#2) to the standing pipe (#3).



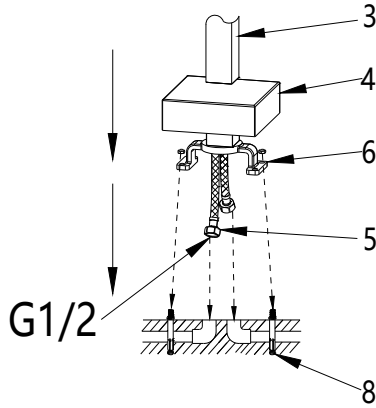
3. Make sure the prongs on the top of standing pipe (#3), and insert into the hole of the mixer (#2). Install the set and tighten it into the standing pipe (#3).



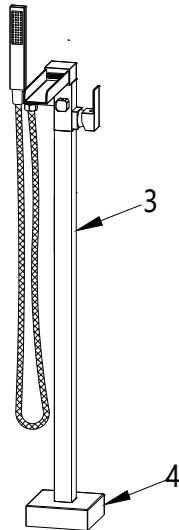
# Model: 8002

## Installation Instruction 3/3

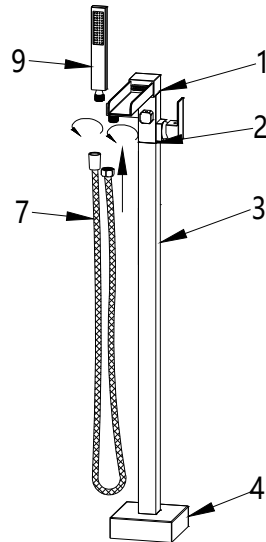
4. Mark the locations for the screws with a pencil. With an electric drill, drill four holes for the expansion screws (#8) in the floor. Place the expansion screw (#8) into the holes. Connect the flexible supply lines (#5) to the water supplies.



5. Ensure the standing pipe (#3) sits flush against the finished floor surface. Then secure the standing pipe (#3) using screws (#8). Push the escutcheon (#4) over the standing pipe (#3) base so that it sits flush against the finished floor surface.

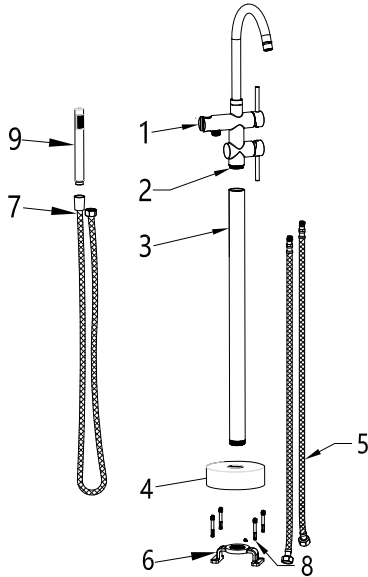


6. Connect one end of the shower hose (#7) to the mixer (#2) and the other end to the handle shower (#9). Ensure the washer is placed into each end for seal.



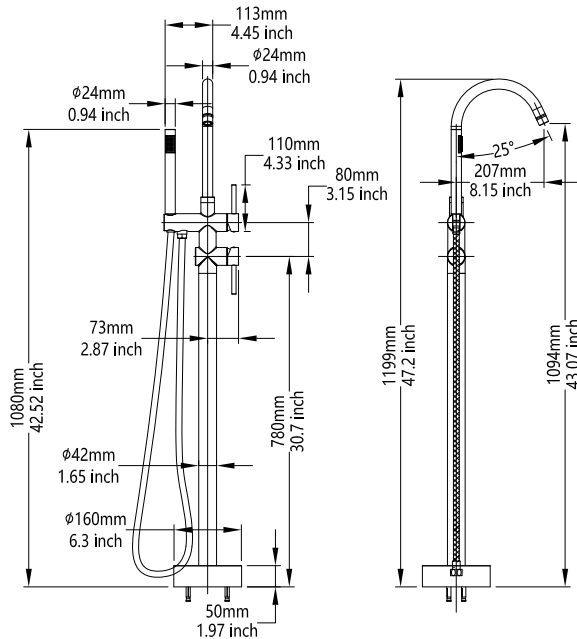


# Model: 8005 Installation Instruction 1/3



No	Description	QTY
1	Tub filler spout	1
2	Mixer	1
3	Standing pipe	1
4	Escutcheon	1
5	Water supply lines	2
6	Fix bracket base	1
7	Shower hose	1
8	Fix screw set	4
9	Hand shower	1

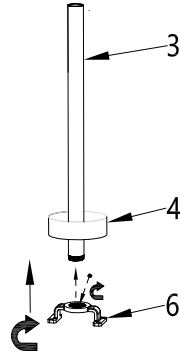
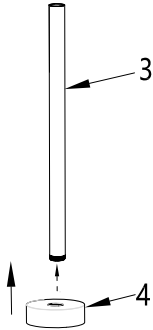
## Installation Instruction



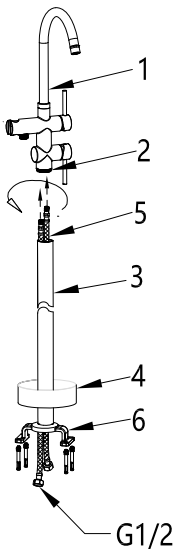
# Model: 8005 Installation Instruction 2/3

## Installation steps

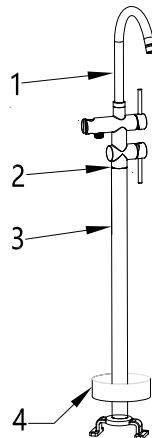
1. Place the escutcheon (#4) over the standing pipe (#3) and push it to the base, then turn the fix bracket base to standing pipe.



2. Turn the inlet supplies to mixer, verify the hot one with red line and the cold one with the blue line. Attach the mixer (#2) to the standing pipe (#3).



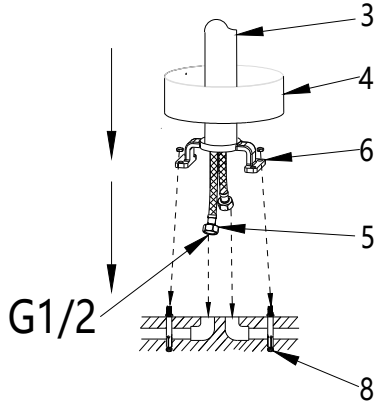
3. Make sure the prongs on the top of standing pipe (#3), and insert into the hole of the mixer (#2). Install the set and tighten it into the standing pipe (#3).



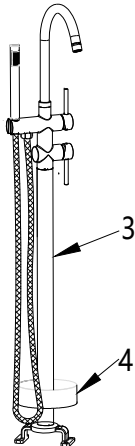
# Model: 8005

## Installation Instruction 3/3

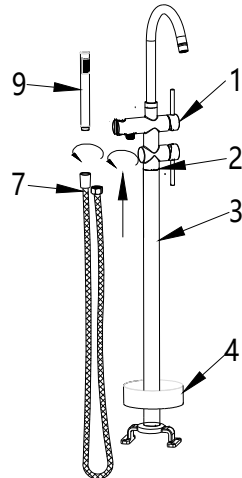
4. Mark the locations for the screws with a pencil. With an electric drill, drill four holes for the expansion screws (#8) in the floor. Place the expansion screw (#8) into the holes. Connect the flexible supply lines (#5) to the water supplies.



5. Ensure the standing pipe (#3) sits flush against the finished floor surface. Then secure the standing pipe (#3) using screws (#8). Push the escutcheon (#4) over the standing pipe (#3) base so that it sits flush against the finished floor surface.

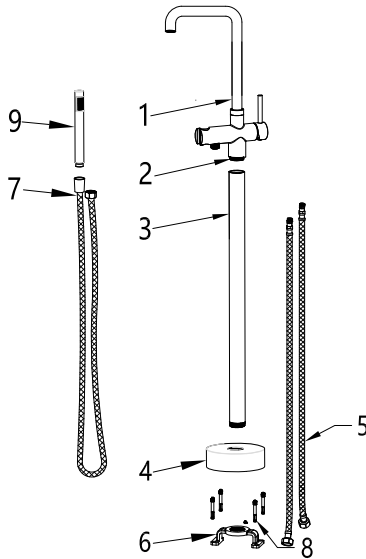


6. Connect one end of the shower hose (#7) to the mixer (#2) and the other end to the handle shower (#9). Ensure the washer is placed into each end for seal.



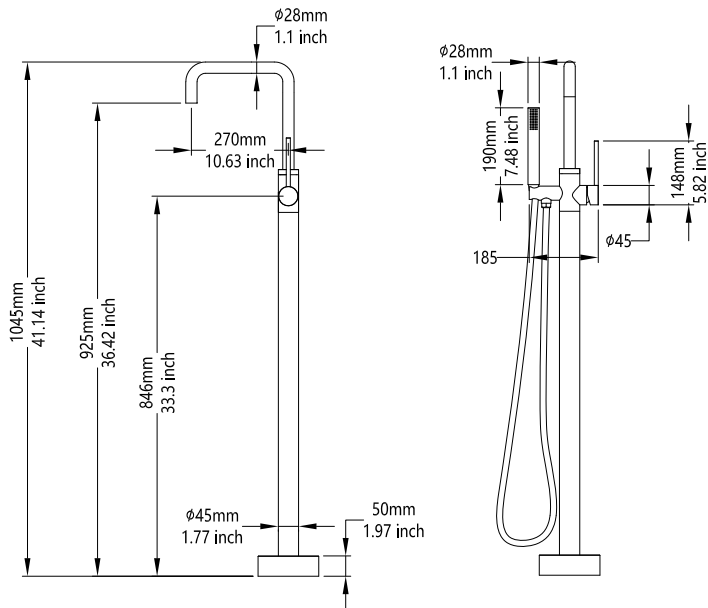
# Model: 8008

## Installation Instruction 1/3



No	Description	QTY
1	Tub filler spout	1
2	Mixer	1
3	Standing pipe	1
4	Escutcheon	1
5	Water supply lines	2
6	Fix bracket base	1
7	Shower hose	1
8	Fix screw set	4
9	Hand shower	1

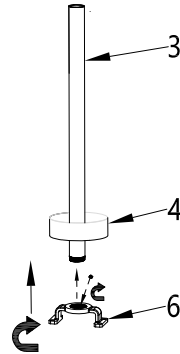
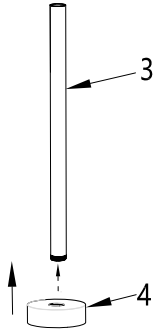
### Installation Instruction



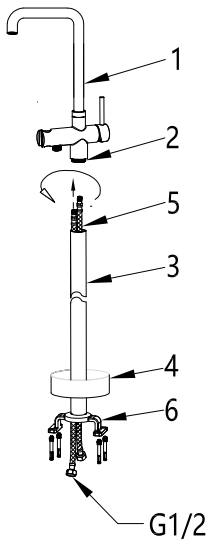
# Model: 8008 Installation Instruction 2/3

## Installation steps

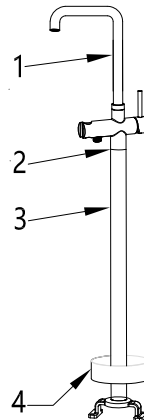
1. Place the escutcheon (#4) over the standing pipe (#3) and push it to the base, then turn the fix bracket base to standing pipe.



2. Turn the inlet supplies to mixer, verify the hot one with red line and the cold one with the blue line. Attach the mixer (#2) to the standing pipe (#3).



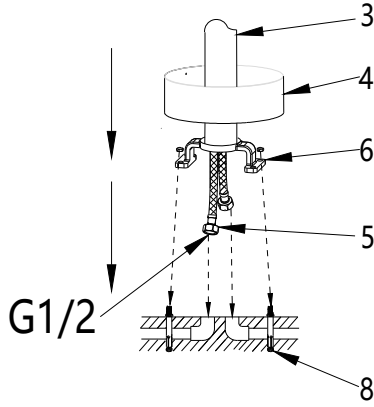
3. Make sure the prongs on the top of standing pipe (#3), and insert into the hole of the mixer (#2). Install the set and tighten it into the standing pipe (#3).



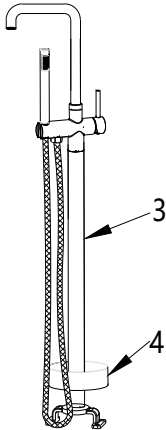
# Model: 8008

## Installation Instruction 3/3

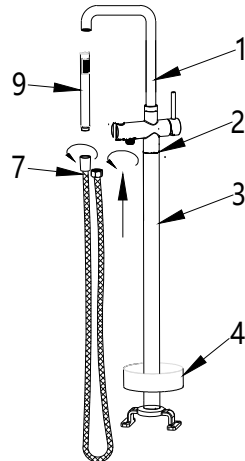
4. Mark the locations for the screws with a pencil. With an electric drill, drill four holes for the expansion screws (#8) in the floor. Place the expansion screw (#8) into the holes. Connect the flexible supply lines (#5) to the water supplies.



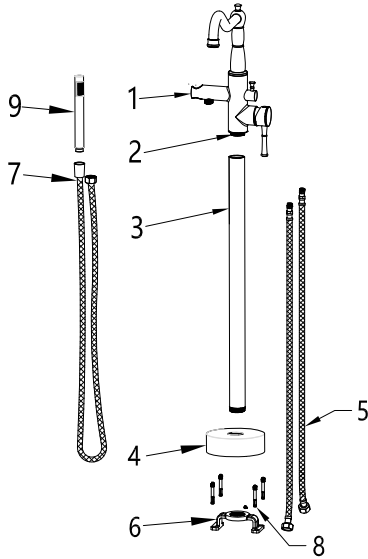
5. Ensure the standing pipe (#3) sits flush against the finished floor surface. Then secure the standing pipe (#3) using screws (#8). Push the escutcheon (#4) over the standing pipe (#3) base so that it sits flush against the finished floor surface.



6. Connect one end of the shower hose (#7) to the mixer (#3) and the other end to the handle shower (#9). Ensure the washer is placed into each end for seal.

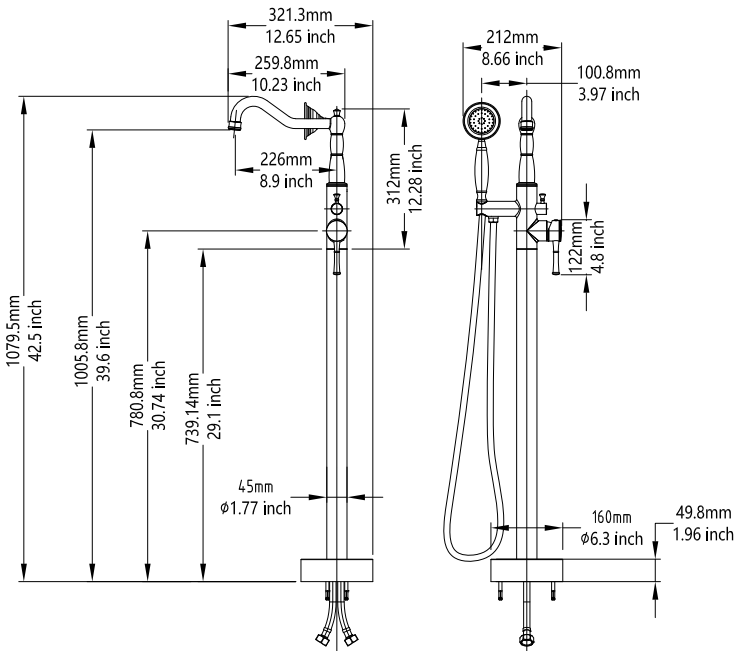


# Model: 8009 Installation Instruction 1/3



No	Description	QTY
1	Tub filler spout	1
2	Mixer	1
3	Standing pipe	1
4	Escutcheon	1
5	Water supply lines	2
6	Fix bracket base	1
7	Shower hose	1
8	Fix screw set	4
9	Hand shower	1

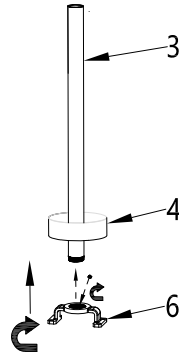
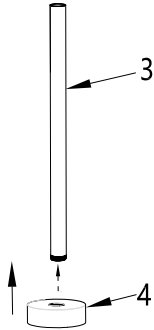
## Installation Instruction



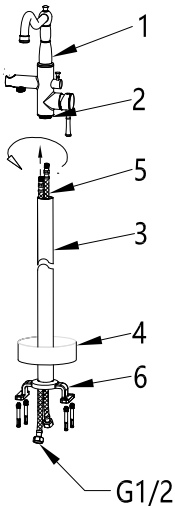
# Model: 8009 Installation Instruction 2/3

## Installation steps

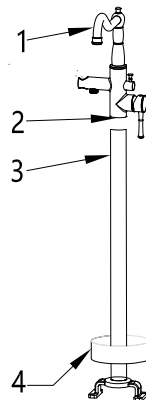
1. Place the escutcheon (#4) over the standing pipe (#3) and push it to the base, then turn the fix bracket base to standing pipe.



2. Turn the inlet supplies to mixer, verify the hot one with red line and the cold one with the blue line. Attach the mixer (#2) to the standing pipe (#3).



3. Make sure the prongs on the top of standing pipe (#3), and insert into the hole of the mixer (#2). Install the set and tighten it into the standing pipe (#3).

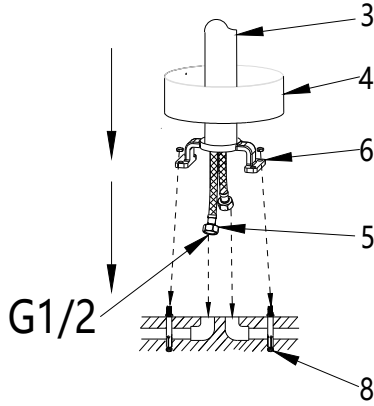




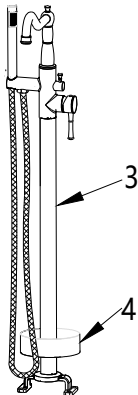
# Model: 8009

## Installation Instruction 3/3

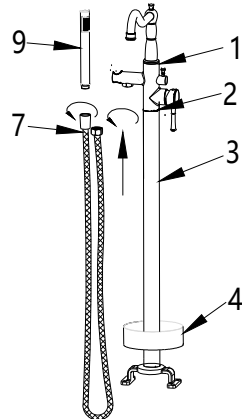
4. Mark the locations for the screws with a pencil. With an electric drill, drill four holes for the expansion screws (#8) in the floor. Place the expansion screw (#8) into the holes. Connect the flexible supply lines (#5) to the water supplies.



5. Ensure the standing pipe (#3) sits flush against the finished floor surface. Then secure the standing pipe (#3) using screws (#8). Push the escutcheon (#4) over the standing pipe (#3) base so that it sits flush against the finished floor surface.



6. Connect one end of the shower hose (#7) to the mixer (#2) and the other end to the handle shower (#9). Ensure the washer is placed into each end for seal.



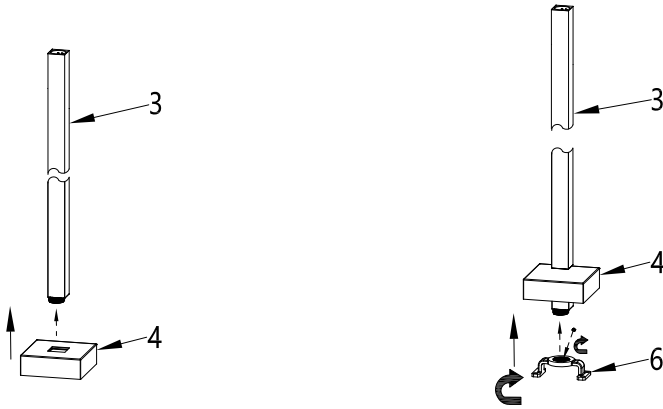


# Model: 8010

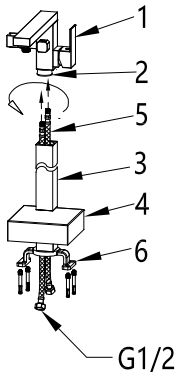
## Installation Instruction 2/3

### Installation steps

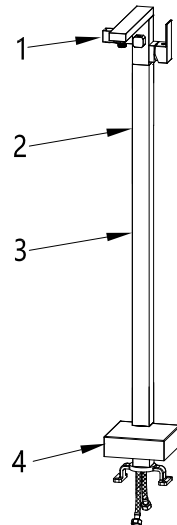
1. Place the escutcheon (#4) over the standing pipe (#3) and push it to the base, then turn the fix bracket base to standing pipe.



2. Turn the inlet supplies to mixer, verify the hot one with red line and the cold one with the blue line. Attach the mixer (#2) to the standing pipe (#3).



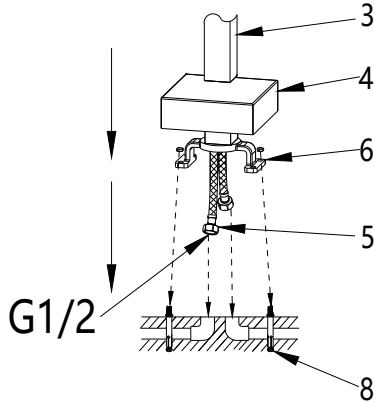
3. Make sure the prongs on the top of standing pipe (#3), and insert into the hole of the mixer (#2). Install the set and tighten it into the standing pipe (#3).



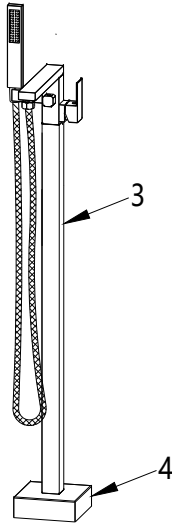
# Model: 8010

## Installation Instruction 3/3

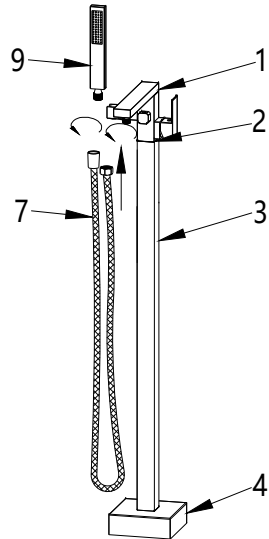
4. Mark the locations for the screws with a pencil. With an electric drill, drill four holes for the expansion screws (#8) in the floor. Place the expansion screw (#8) into the holes. Connect the flexible supply lines (#5) to the water supplies.



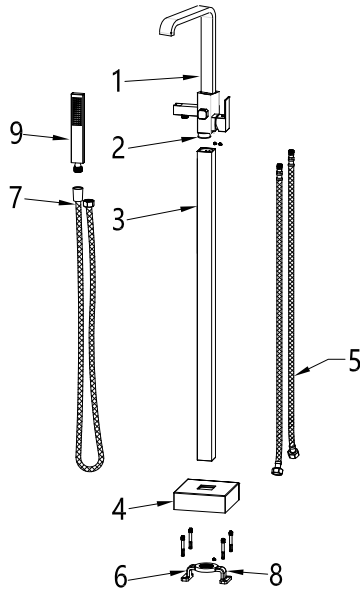
5. Ensure the standing pipe (#3) sits flush against the finished floor surface. Then secure the standing pipe (#3) using screws (#8). Push the escutcheon (#4) over the standing pipe (#3) base so that it sits flush against the finished floor surface.



6. Connect one end of the shower hose (#7) to the mixer (#2) and the other end to the handle shower (#9). Ensure the washer is placed into each end for seal.

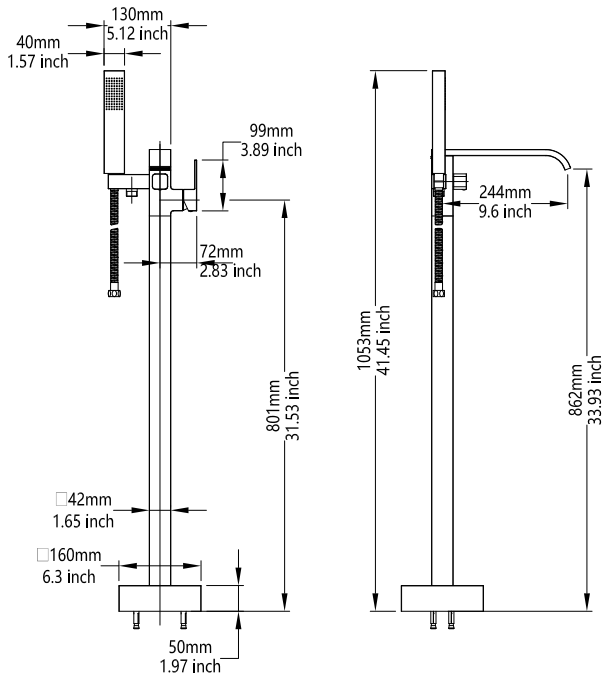


# Model: 8015 Installation Instruction 1/3



No	Description	QTY
1	Tub filler spout	1
2	Mixer	1
3	Standing pipe	1
4	Escutcheon	1
5	Water supply lines	2
6	Fix bracket base	1
7	Shower hose	1
8	Fix screw set	4
9	Hand shower	1

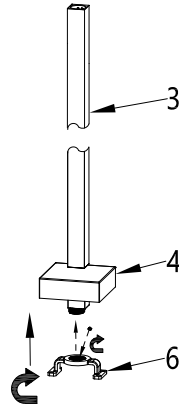
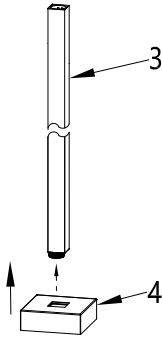
## Installation Instruction



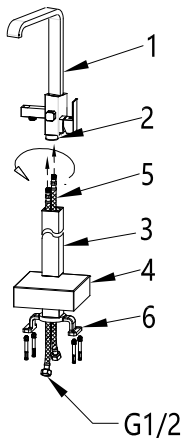
# Model: 8015 Installation Instruction 2/3

## Installation steps

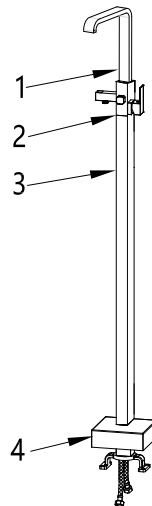
1. Place the escutcheon (#4) over the standing pipe (#3) and push it to the base, then turn the fix bracket base to standing pipe.



2. Turn the inlet supplies to mixer, verify the hot one with red line and the cold one with the blue line. Attach the mixer (#2) to the standing pipe (#3).



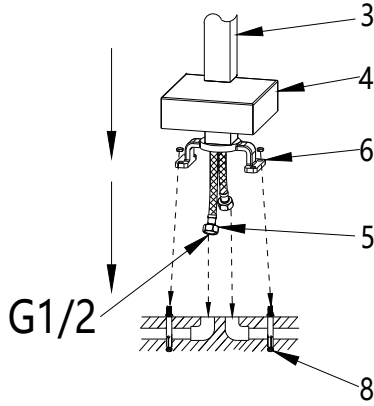
3. Make sure the prongs on the top of standing pipe (#3), and insert into the hole of the mixer (#2). Install the set and tighten it into the standing pipe (#3).



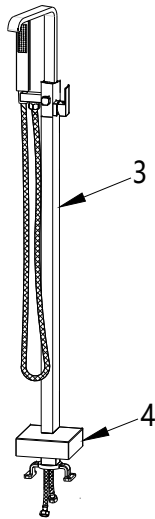
# Model: 8015

## Installation Instruction 3/3

4. Mark the locations for the screws with a pencil. With an electric drill, drill four holes for the expansion screws (#8) in the floor. Place the expansion screw (#8) into the holes. Connect the flexible supply lines (#5) to the water supplies.



5. Ensure the standing pipe (#3) sits flush against the finished floor surface. Then secure the standing pipe (#3) using screws (#8). Push the escutcheon (#4) over the standing pipe (#3) base so that it sits flush against the finished floor surface.



6. Connect one end of the shower hose (#7) to the mixer (#2) and the other end to the handle shower (#9). Ensure the washer is placed into each end for seal.

