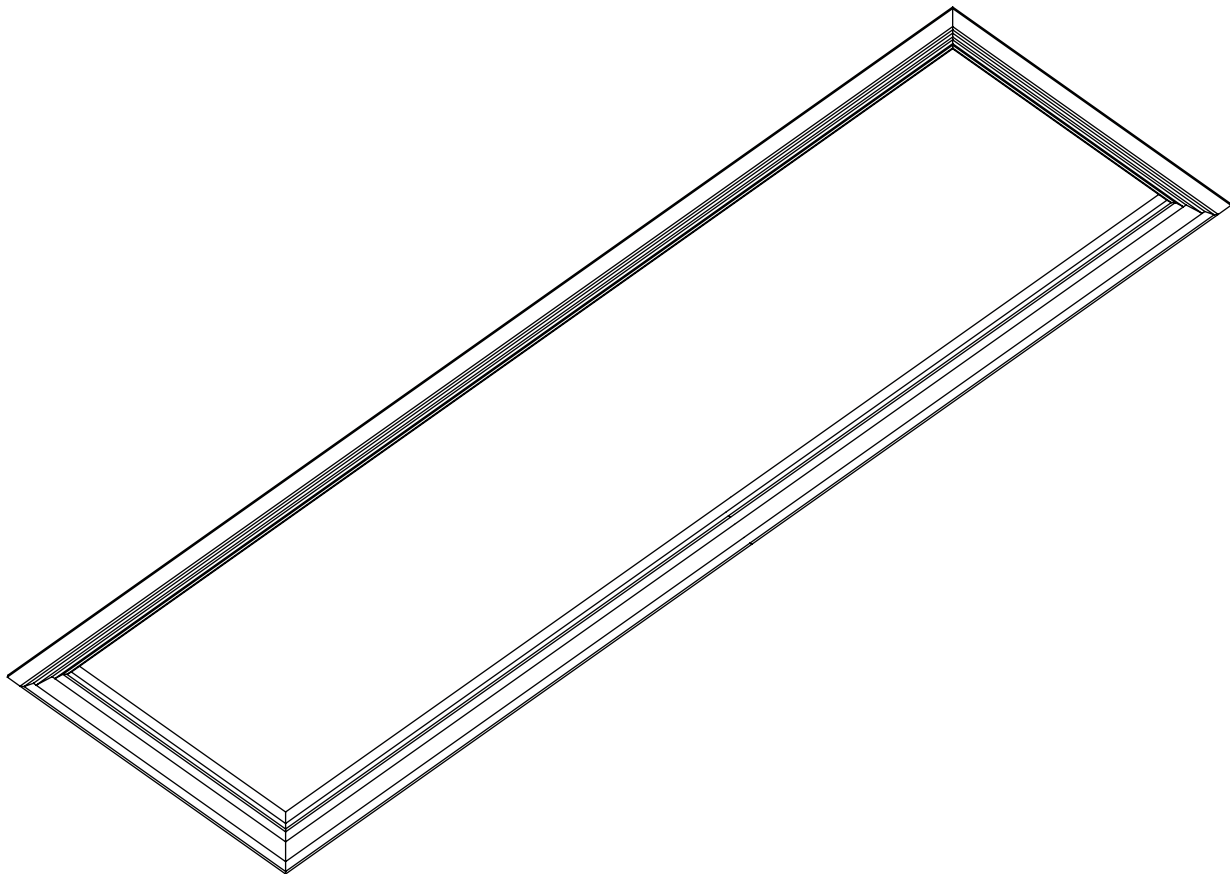


## USE AND CARE GUIDE

---

### 4 FT. X 1 FT. AUGUSTA LED DECORATIVE CEILING LIGHT



Questions, problems, missing parts? Before returning to the store,  
call Commercial Electric Customer Service  
8 a.m. - 7 p.m., EST, Monday – Friday, 9 a.m. – 6 p.m., EST, Saturday

**1-877-527-0313**

**HOMEDEPOT.COM**



#### **THANK YOU**

*We appreciate the trust and confidence you have placed in Commercial Electric through the purchase of this ceiling light. We strive to continually create quality products designed to enhance your home. Visit us online to see our full line of products available for your home improvement needs. Thank you for choosing Commercial Electric!*

# Table of Contents

Table of Contents ..... 2  
Safety Information ..... 2  
Warranty ..... 3  
    What is Covered..... 3  
    What is not Covered..... 3  
Pre-Installation ..... 3  
    Planning Installation ..... 3  
    Tools Required ..... 3

Hardware Included..... 4  
Package Contents ..... 4  
3 Light Setting Slide Switch..... 4  
Installation ..... 5  
Maintenance ..... 10  
Troubleshooting ..... 10


# Safety Information


## WARNINGS AND CAUTIONS


Read the entire installation procedure before you begin and save instructions for future reference.


- Do not look directly at LEDs for extended periods of time.
- For INDOOR use only.
- For electrical requirements, see fixture. Minimum 90°C supply conductors.


 **DANGER:** Do not leave bare wires exposed.


 **WARNING:** Shut off power at the circuit breaker or fuse panel before removing the old fixture or installing a new one.

 **CAUTION:** If you are unsure if the electrical box is properly grounded, if the box is plastic and has no ground wire, or if you are unfamiliar with the methods of properly grounding fixture, consult a qualified electrician.

 **NOTE:** THIS FIXTURE IS DIMMABLE BY SPECIFIC FORWARD PHASE ELECTRONIC (TRIAC) DIMMERS. Dimmers tested to be compatible with this fixture are the Lutron: Skylark® SCL-153P\*, Diva® DVCL-153P\*, Maestro® MACL-153M\*, Toggler® TGCL-153P\*, Lumea® LECL-153P\*, Caseta® PD-6WCL\*, Eaton Halo® SAL06P\*. (This list of dimmers does not imply any guarantee or warranty of compatibility with a particular application. Dimmers not listed do not imply non-compatibility.)

 **NOTE:** This device complies with Part 15 of the FCC rules. Operation is subject to the following two conditions: (1) This device may not cause harmful interference, and (2) this device must accept any interference received, including interference that may cause undesired operation.

 **WARNING:** Changes or modifications to this unit not expressly approved by the party responsible for compliance could void the user's authority to operate the equipment.

 **NOTE:** This equipment has been tested and found to comply with the limits for a Class B digital device, pursuant to Part 15 of the FCC rules. These limits are designed to provide reasonable protection against harmful interference in a residential installation. This equipment generates, uses and can radiate radio frequency energy and, if not installed and used in accordance with the instructions, may cause harmful interference to radio communications. However, there is no guarantee that the interference will not occur in a particular installation. If this equipment does cause harmful interference to radio or television reception, which can be determined by turning the equipment off and on, the user is encouraged to try to correct the interference by one or more of the following measures: 1) Reorient or relocate the receiving antenna. 2) Increase the separation between the equipment and receiver. 3) Connect the equipment into an outlet on a circuit different from that of the receiver. 4) Consult the dealer or an experienced radio/TV technician for help.

FCC responsible party name : Good Earth Lighting, Inc.  
Address: 1400 E Business Center Drive, STE 108, Mount Prospect IL 60056, USA  
Telephone number: 1-800-291-8838

# Warranty

## 5 YEAR LIMITED WARRANTY

### WHAT IS COVERED

The manufacturer warrants this lighting fixture to be free from defects in materials and workmanship for a period of five (5) years from date of purchase. This warranty applies only to the original consumer purchaser and only to products used in normal use and service. If this product is found to be defective, the manufacturer's only obligation, and your exclusive remedy, is the repair or replacement of the product at the manufacturer's discretion, provided that the product has not been damaged through misuse, abuse, accident, modifications, alterations, neglect or mishandling.

### WHAT IS NOT COVERED

This warranty shall not apply to any product that is found to have been improperly installed, set-up, or used in any way not in accordance with the instructions supplied with the product. This warranty shall not apply to a failure of the product as a result of an accident, misuse, abuse, negligence, alteration, or faulty installation, or any other failure not relating to faulty material or workmanship. This warranty shall not apply to the finish on any portion of the product, such as surface and/or weathering, as this is considered normal wear and tear.

The manufacturer does not warrant and specially disclaims any warranty, whether expressed or implied, of fitness for a particular purpose, other than the warranty contained herein. The manufacturer specifically disclaims any liability and shall not be liable for any consequential or incidental loss or damage, including but not limited to any labor/expense costs involved in the replacement or repair of said product.

Contact the Customer Service Team at 1-877-527-0313 or visit [www.HomeDepot.com](http://www.HomeDepot.com).

# Pre-Installation

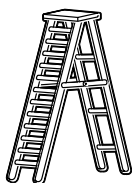
## PLANNING INSTALLATION

Before beginning assembly, installation or operation of product, make sure all parts are present. Compare parts with the Hardware Included and Package Contents lists. If any part is missing or damaged, do not attempt to assemble, install or operate the product. Contact customer service for replacement parts.



**NOTE:** Keep your receipt and these instructions for proof of purchase.

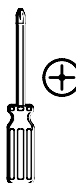
## TOOLS REQUIRED



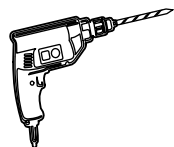
Ladder



Safety goggles



Phillips  
screwdriver



Power drill with  
1/8 in. / 0.3 cm  
drill bits




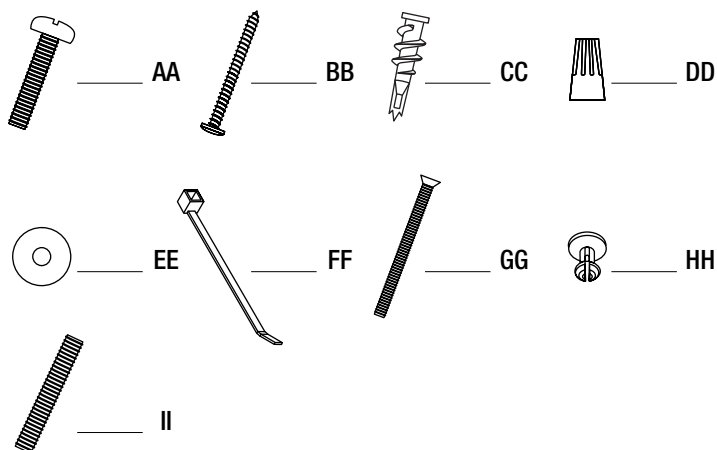
Gloves

# Pre-Installation (continued)

## HARDWARE INCLUDED

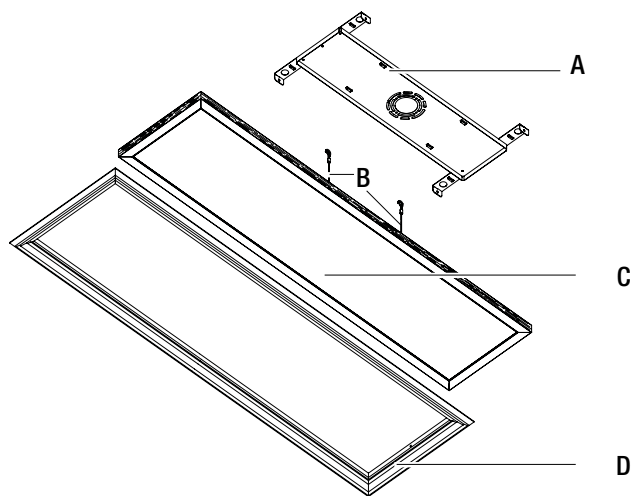
Hardware Kit: ZH-FP1235F48

 **NOTE:** Hardware not shown to actual size.



Part	Description	Quantity
AA	Electrical mounting screw	2
BB	Wood screw	4
CC	Drywall anchor	4
DD	Wire nut	3
EE	Washer	4
FF	Cable tie	2
GG	Machine screw	2
HH	Plastic push-in fastener	3
II	Assist screw	1

## PACKAGE CONTENTS

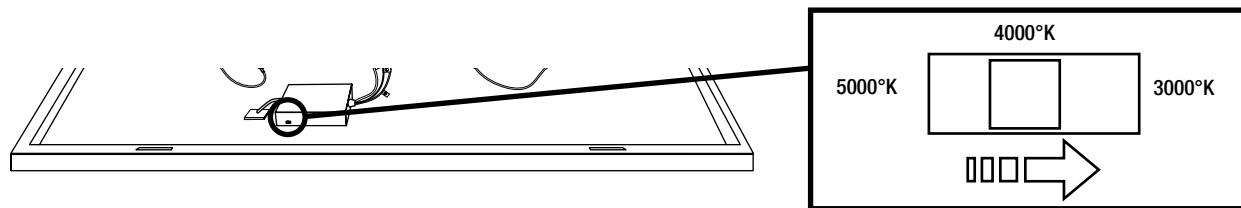


Part	Description	Quantity
A	Mounting plate	1
B	Support wire hooks	1
C	LED flat panel	1
D	Frame	1

## 3-Light Setting Slide Switch

- Slide switch that allows the color temperature of the light to be adjusted between 3 values: Warm White: 3000°K, Bright White: 4000°K, Daylight: 5000°K

 **NOTE:** The default setting for the correlated color temperature (CCT) is 4000°K, the bright white light.



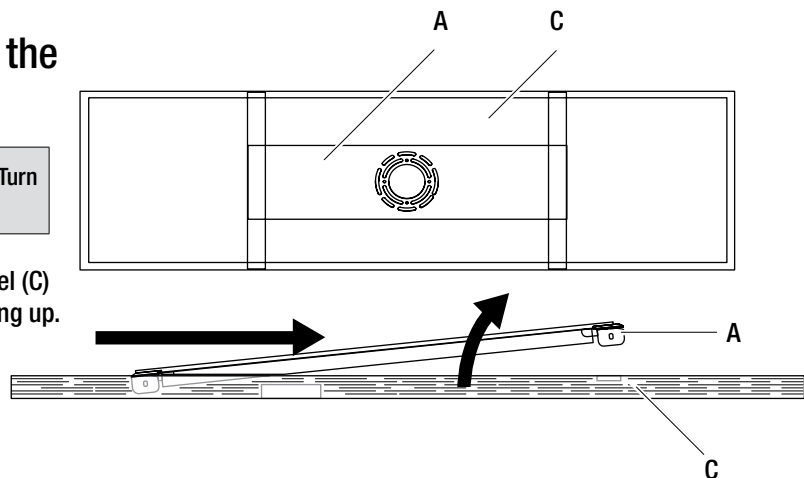
# Installation

## 1 Remove the mounting plate from the LED flat panel



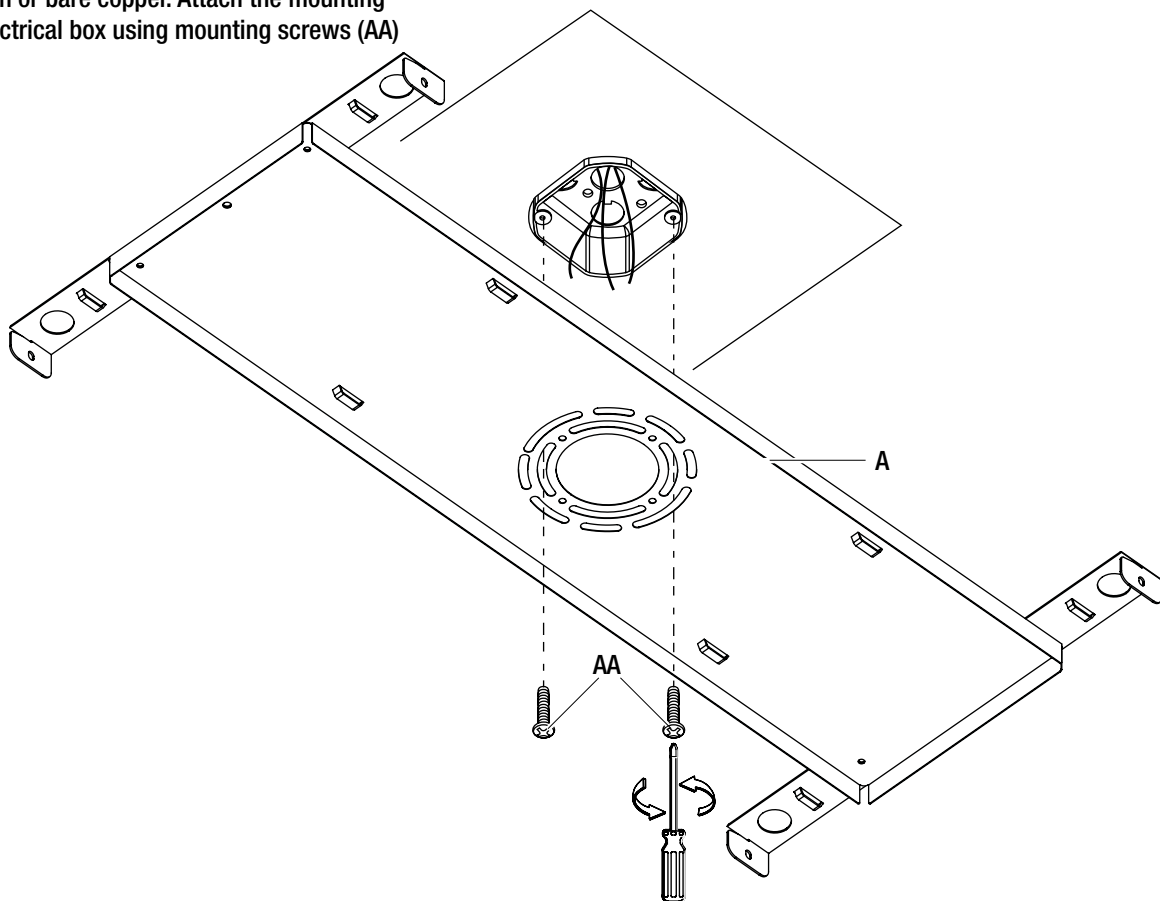
**DANGER:** Turn the power off at the breaker/fuse box. Turn the wall switch to the junction box off.

- Remove the mounting plate (A) from the LED flat panel (C) by sliding into the direction of the slots, and then lifting up.



## 2 Attach the mounting plate to the electrical box

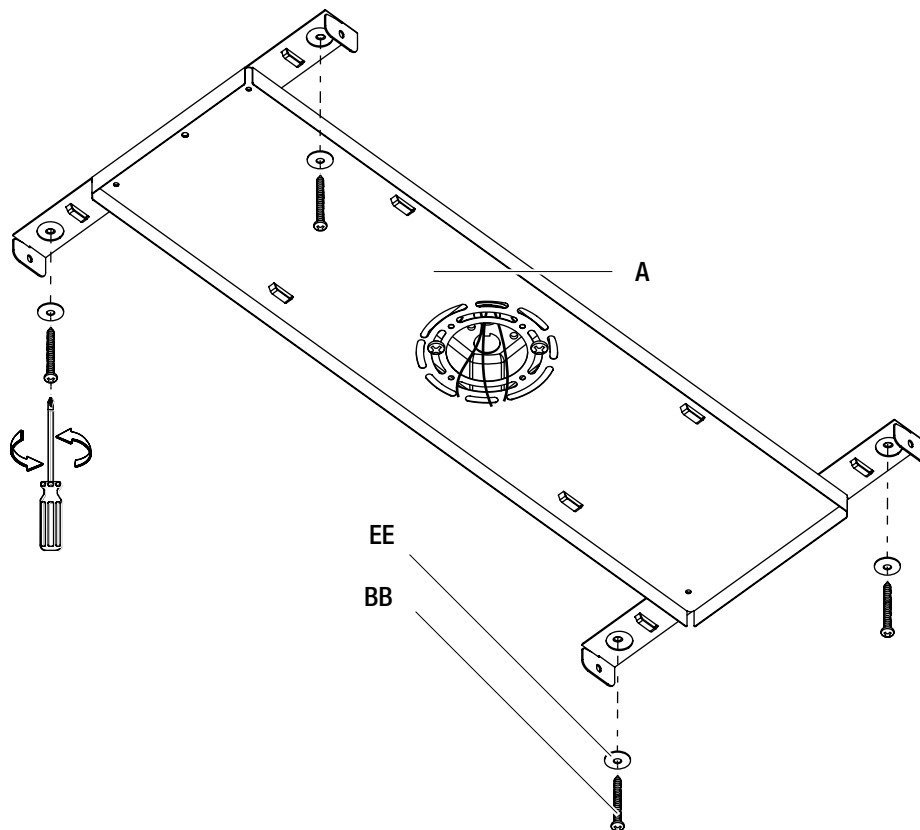
- Hold the mounting plate (A) up to the junction box in the desired fixture mounting orientation. Pull the black, white and ground supply wires from the electrical box through the hole in the center of the mounting plate. Ground wires can be either green or bare copper. Attach the mounting plate (A) to the electrical box using mounting screws (AA) provided.



## Installation (continued)

### 3 Secure the mounting plate to the surface with wood stud (option 1)

- Wood stud: Locate the open holes for mounting at the corners of the mounting plate (A) and drill a 1/8 in. pilot hole in the center. If a wooden stud is encountered, use the wood screws (BB) and washers (EE) provided to secure the mounting plate (A) directly to the stud.

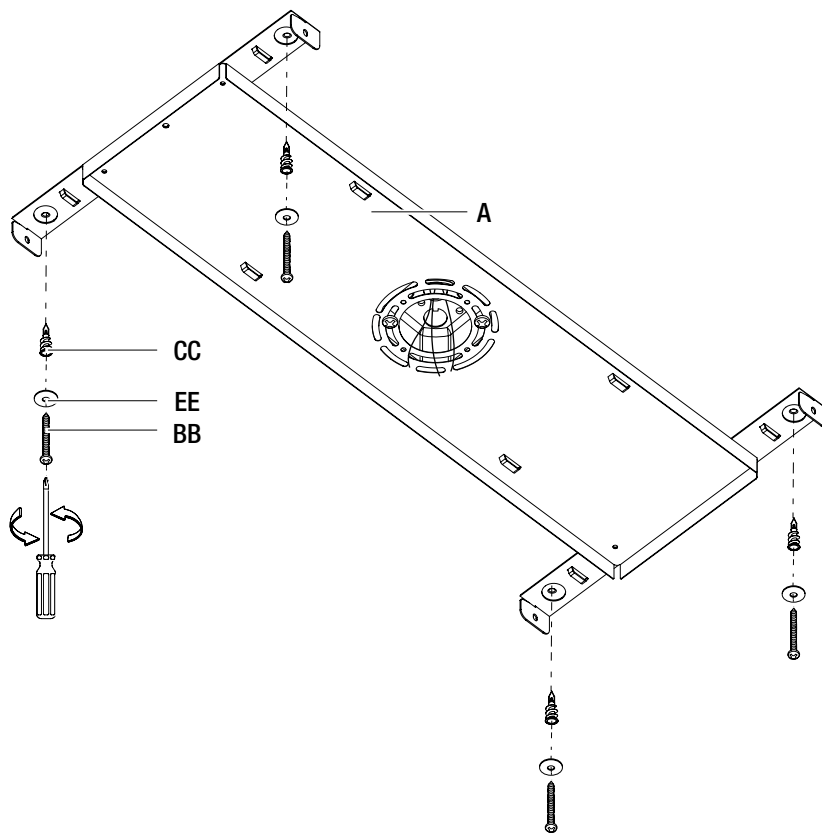


### 4 Secure the mounting plate to the surface with drywall (option 2)

- If no stud is encountered, place the drywall anchors (CC) in the pilot holes and screw them into place until they are flush with the drywall surface. Place the washer (EE) over the mounting hole and drive the long screws (BB) into the drywall anchors (CC) until snug. DO NOT OVERTIGHTEN.



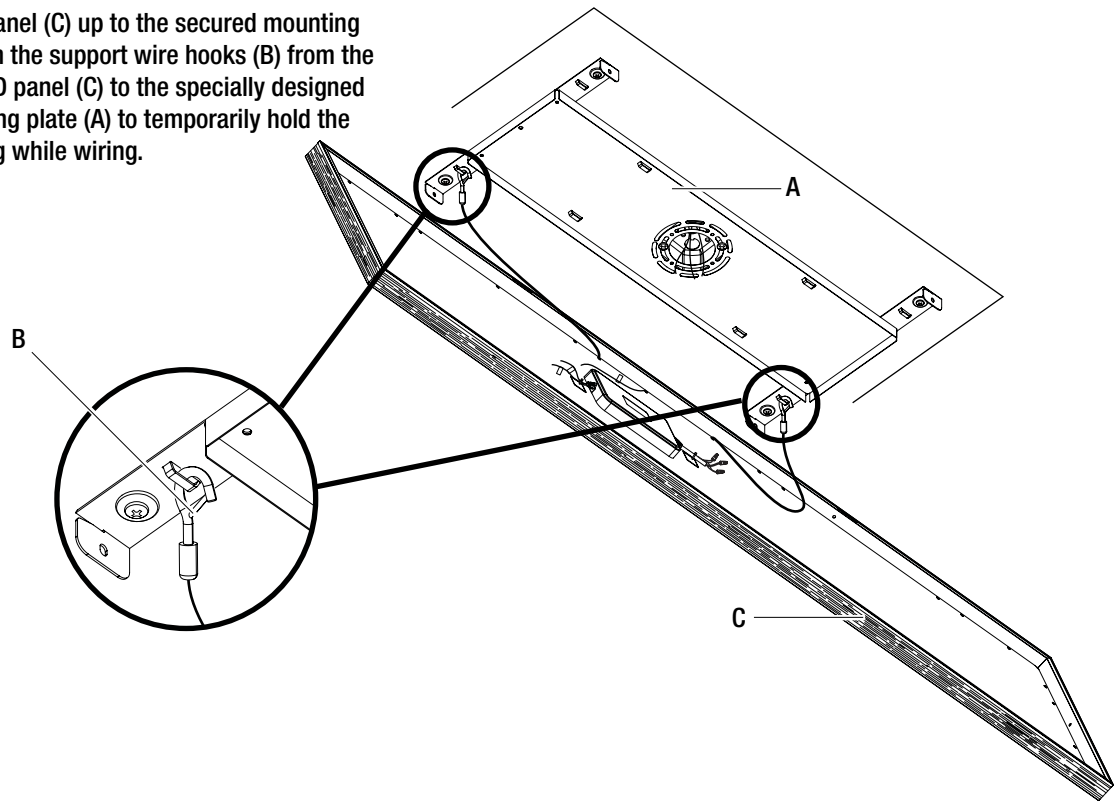
**NOTE:** The main support for the mounting plate (A) is the electrical box when it is secured properly. If the electrical box is not properly secured, alternative mounting methods such as toggle bolts (not included) should be used to secure the mounting plate.



## Installation (continued)

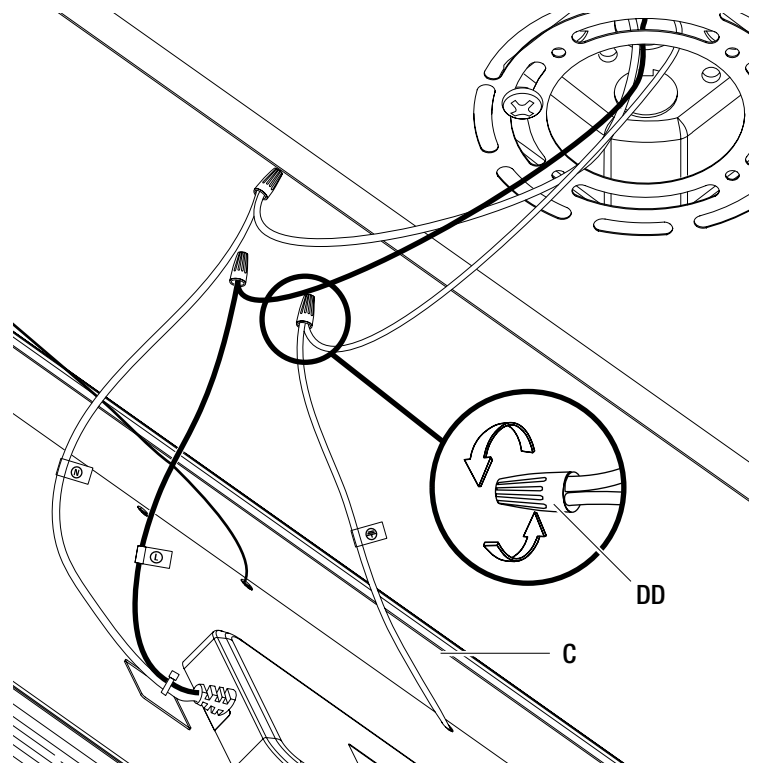
### 5 Make the electrical connections

- Hold the LED flat panel (C) up to the secured mounting plate (A) and attach the support wire hooks (B) from the backside of the LED panel (C) to the specially designed slots in the mounting plate (A) to temporarily hold the fixture from moving while wiring.



### 6 Make the electrical connections (continued)

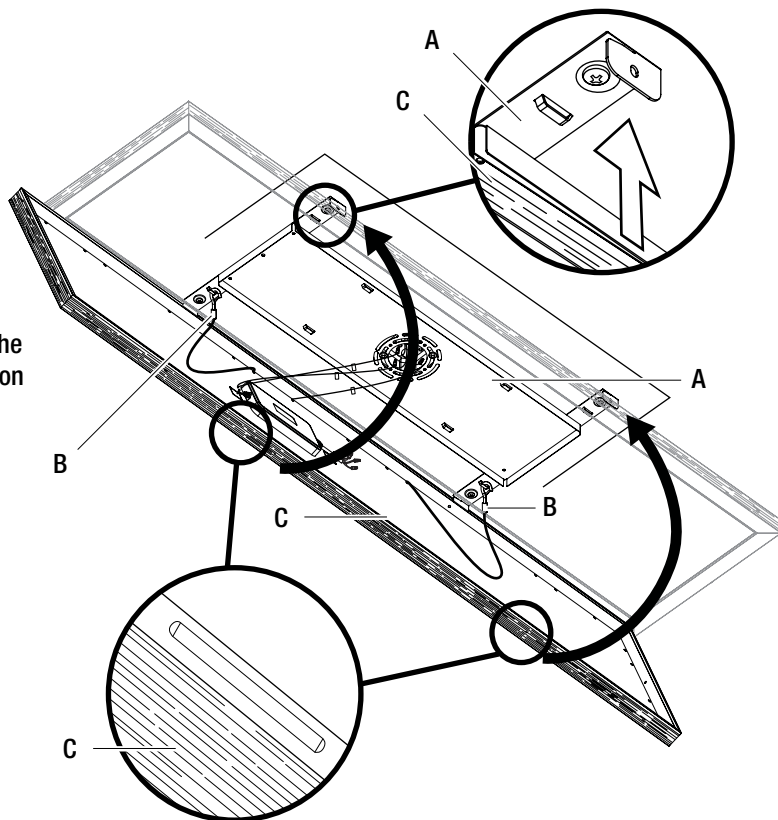
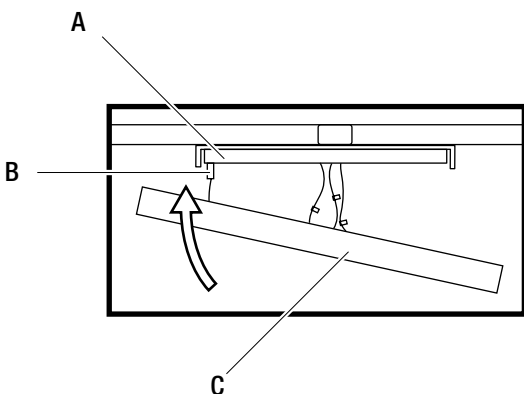
- The fixture must be properly grounded. Connect the fixture ground wire (⊕) to the ground wire in the electrical box using wire nuts (DD). The ground wires can be either green or bare copper.
- Connect the black supply lead to the black fixture wire (L) and white supply lead to the white fixture wire (N) using wire nuts (DD).
- Secure the wire nuts (DD) properly to prevent the wires from coming loose. Use cable ties (FF) to secure loose fixture wires to one another in the center of the mounting plate (A) to keep them from getting in the way during fixture mounting.
- Push any excess wire back into the electrical box.



## Installation (continued)

### 7 Attach the LED flat panel to the mounting plate

- Keeping the support wire hooks (B) attached to the mounting plate (A), lift up the LED flat panel (C), being careful not to scratch the ceiling.
- Align and insert the two metal tabs on the same side of the mounting plate (A) as the support wires (B) into the corresponding slots on the LED panel.
- While keeping the first two metal tabs inserted, rotate the LED flat panel (C) up and insert the two remaining tabs on the opposite side.

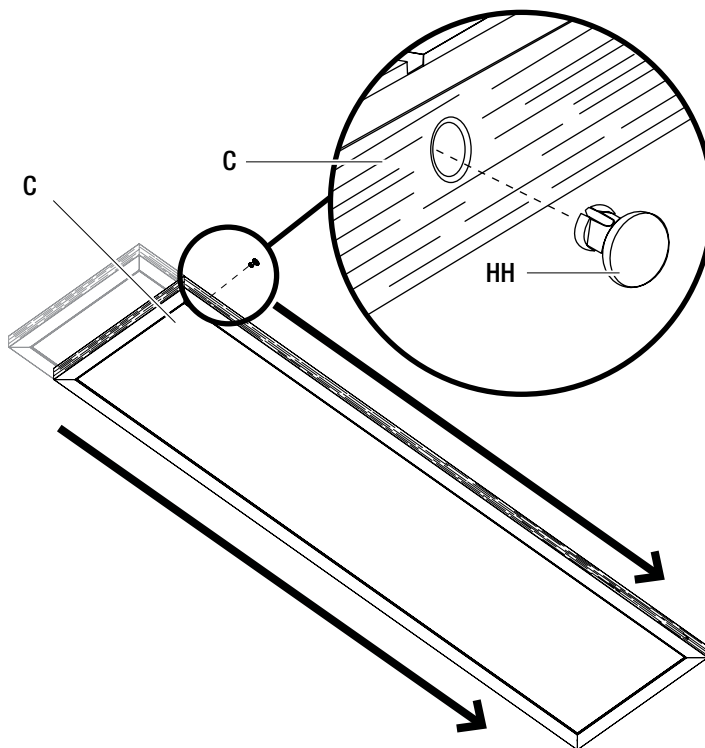


### 8 Attach the LED flat panel to the mounting plate (continued)

- Slide the LED flat panel (C) until the tabs are locked into place. Note that the direction will be either left or right, depending on the panel (C) orientation.
- Slowly release the fixture, making sure it stays in place.



**NOTE:** To ensure the LED flat panel (C) stays in place, the locking fastener must be installed. To lock the flat panel in place, insert the plastic push-in fastener (HH) into the predrilled hole on the side of the flat panel.





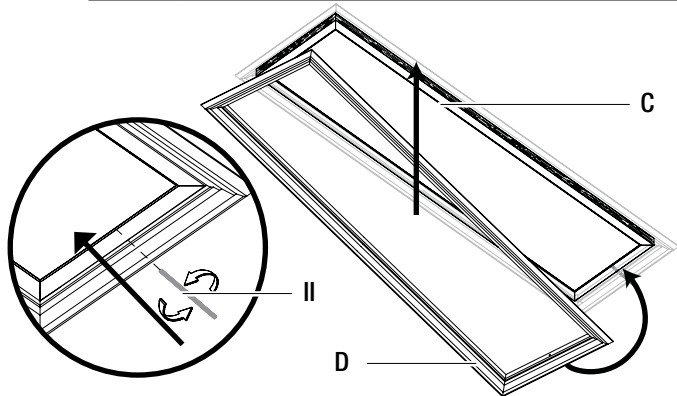
## Installation (continued)

### 9 Attach the frame to the LED flat panel

- To assist with attaching the frame to the LED flat panel, screw the assist screw (II) into one of the two pre-drilled holes on the LED flat panel (C).
- Bring the wood frame (D) up to the ceiling and place over the LED panel (C) and through the assist screw (II).

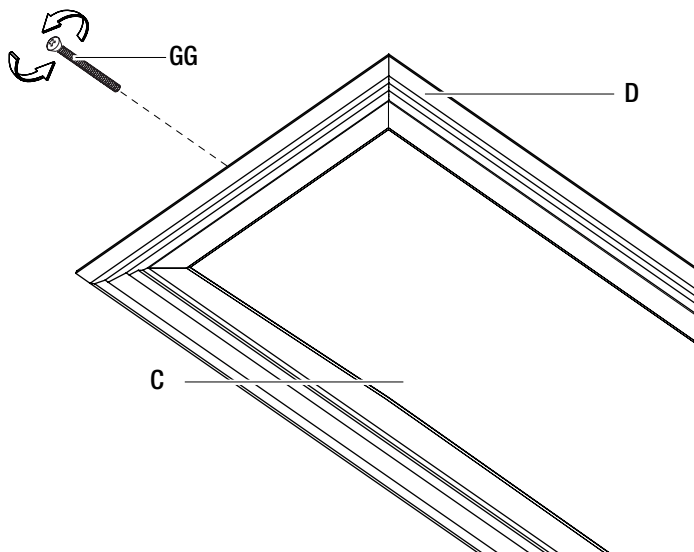


**NOTE:** Make sure the two pre-drilled holes at each end of the frame (D) are closest to the ceiling. The frame (D) should fit closely around the LED flat panel (C).



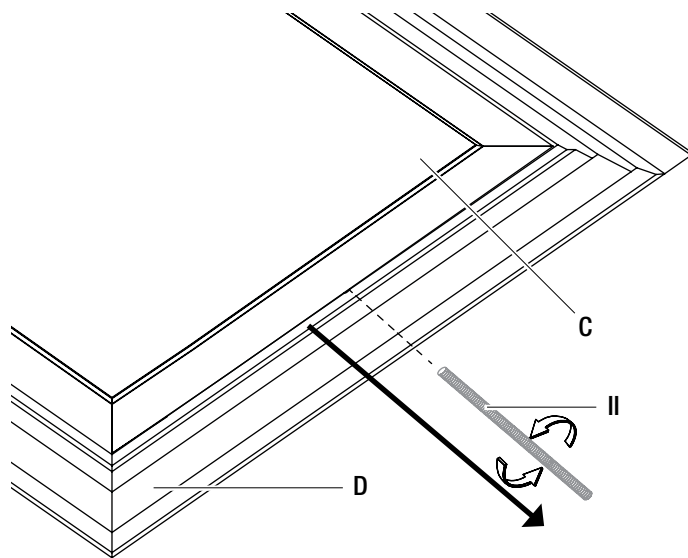
### 10 Attach the frame to the LED flat panel (continued)

- Insert the long machine screw (GG) through one of the two pre-drilled holes at each end of the frame (D), and then fasten them into the threaded hole in the LED flat panel (C).



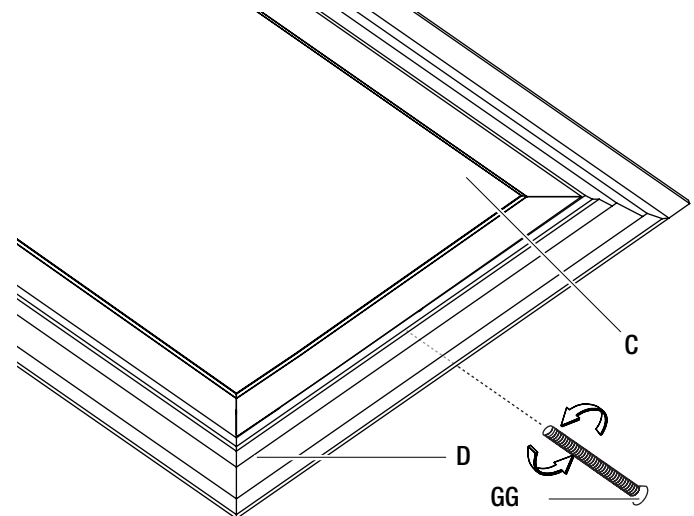
### 11 Attach the frame to the LED flat panel (continued)

- Unscrew the assist screw (II) from the threaded hole in the frame (D) and the LED flat panel (C).



### 12 Attach the frame to the LED flat panel (continued)

- Insert the other long machine screw (GG) through the other pre-drilled hole at the end of the frame (D), and then fasten it into the threaded hole in the LED flat panel (C).



## Maintenance

Periodically clean the fixture and diffuser using a mild, non-abrasive cleaner and soft cloth. When cleaning the fixture, make sure the power is turned off. Do not spray cleaner directly onto any part of the fixture or LEDs.

## Troubleshooting

Problem	Cause	Solution
The fixture does not light.	<ul style="list-style-type: none"><li><input type="checkbox"/> The power is off.</li><li><input type="checkbox"/> The connections are loose.</li><li><input type="checkbox"/> The wall switch is bad.</li></ul>	<ul style="list-style-type: none"><li><input type="checkbox"/> Check to see if the power supply is on.</li><li><input type="checkbox"/> Check the wire nut connection.</li><li><input type="checkbox"/> Test or replace the switch.</li></ul>
The fuse blows or the circuit breaker trips when the light is turned on.	<ul style="list-style-type: none"><li><input type="checkbox"/> Discontinue use.</li><li><input type="checkbox"/> The wrong connection is being used.</li><li><input type="checkbox"/> There is an electrical short.</li></ul>	<ul style="list-style-type: none"><li><input type="checkbox"/> Call customer service.</li><li><input type="checkbox"/> Check all connections.</li></ul>



Questions, problems, missing parts? Before returning to the store,  
call Commercial Electric Customer Service  
8 a.m. – 7 p.m., EST, Monday – Friday, 9 a.m. – 6 p.m., EST, Saturday

**1-877-527-0313**

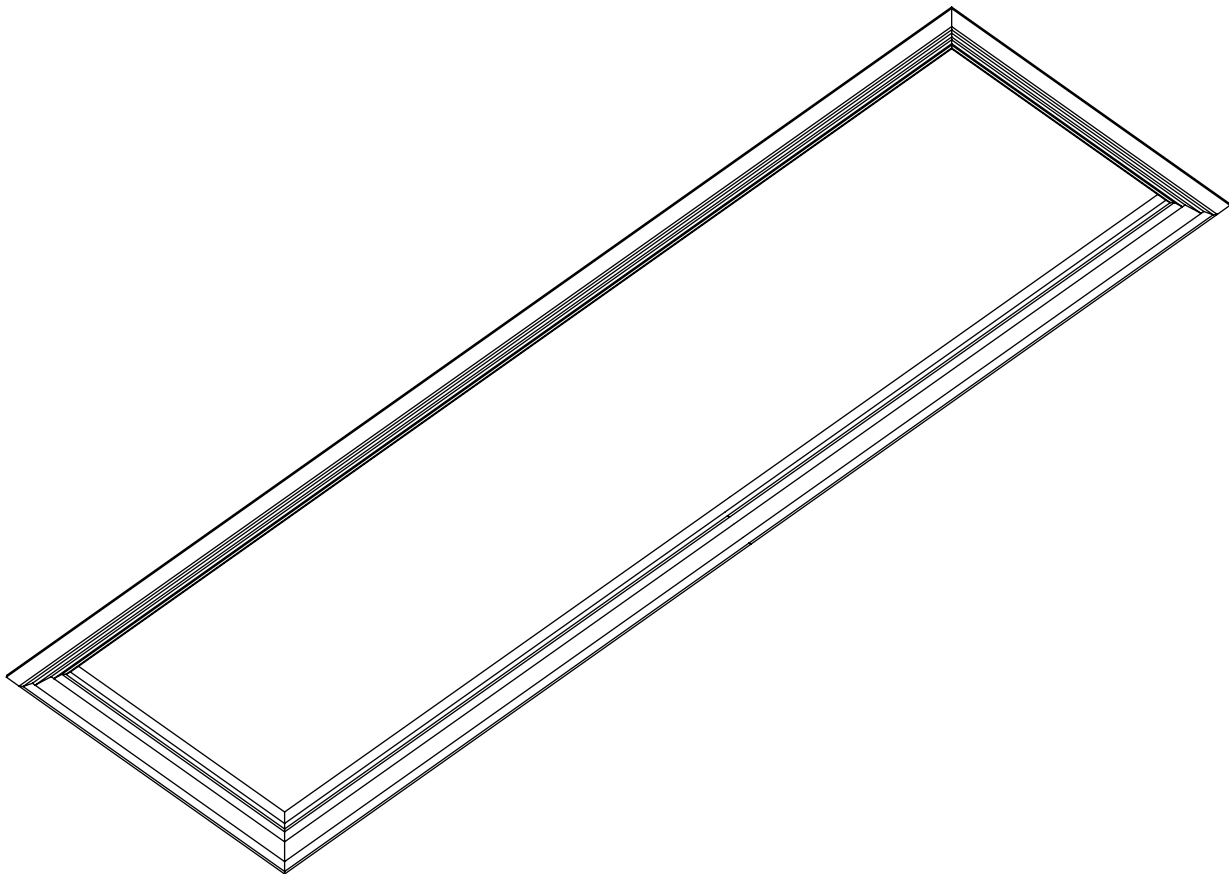
**HOMEDEPOT.COM**

Retain this manual for future use.

# GUÍA DE USO Y CUIDADO

---

## LUZ DE TECHO LED DECORATIVA AUGUSTA DE 4 FT X 1 FT



¿Preguntas, problemas, faltan piezas? Antes de devolver el producto a la tienda,  
llame a Servicio al Cliente de Commercial Electric  
8 a.m. - 7 p.m., Hora del Este (EST), lunes a viernes, 9 a.m. - 6 p.m., Hora del Este (EST), sábado

**1-877-527-0313**

**HOMEDEPOT.COM**



### **GRACIAS**

*Agradecemos la confianza que usted ha depositado en Commercial Electric a través de la compra de esta luz de techo. Nos esforzamos por crear continuamente productos de alta calidad diseñados para mejorar su hogar. Visítenos en Internet para ver nuestra línea completa de productos disponibles para las necesidades de mejora de su hogar. ¡Gracias por elegir Commercial Electric!*

# Índice

Índice .....	13
Información de seguridad .....	13
Garantía.....	14
Lo que está cubierto .....	14
Lo que no está cubierto.....	14
Preinstalación.....	15
Planificación de la instalación.....	15
Herramientas necesarias.....	15

Herrajes incluidos .....	15
Contenido del paquete.....	15
Interruptor deslizable de ajuste de 3 luces.....	15
Instalación .....	16
Mantenimiento .....	21
Resolución de problemas.....	21

## Información de seguridad

### ADVERTENCIAS Y PRECAUCIONES

Lea todo el procedimiento de instalación antes de comenzar y guarde las instrucciones para referencia futura.

- No mire directamente a las luces LED durante un período de tiempo prolongado.
- Solo para uso en INTERIORES
- Para conocer los requisitos eléctricos, vea el accesorio para iluminación. Conductores de suministro de 90°C como mínimo.



**PELIGRO:** No deje al descubierto los cables pelados.



**ADVERTENCIA:** Desconecte la alimentación eléctrica en el panel de cortacircuitos o de fusibles antes de retirar el accesorio de iluminación viejo o instalar uno nuevo.



**PRECAUCIÓN:** Si no está seguro si la caja eléctrica está conectada a tierra adecuadamente o si la caja es de plástico y no tiene cable de conexión a tierra, o no está familiarizado con los métodos para conectar adecuadamente a tierra el accesorio para iluminación, consulte a un electricista calificado.



**NOTA:** ESTE ACCESORIO PARA ILUMINACIÓN ES REGULABLE CON REGULADORES ELECTRÓNICOS DE LA INTENSIDAD DE LA LUZ DE FASE DE AVANCE (TRIAC) ESPECÍFICOS. Los reguladores de la intensidad de la luz que se ha comprobado que son compatibles con este accesorio para iluminación son el Lutron: Skylark® SCL-153P\*, Diva® DVCL-153P\*, Maestro® MACL-153M\*, Toggler® TGCL-153P\*, Lumea® LECL-153P\*, Caseta® PD-6WCL\*, Eaton Halo® SAL06P\*. (Esta lista de reguladores de la intensidad no implica absolutamente ninguna garantía de compatibilidad con una aplicación en particular. El hecho de que no se mencione un regulador de la intensidad no implica que no sea compatible).



**NOTA:** Este dispositivo cumple con la Parte 15 de las reglas FCC. El funcionamiento está sujeto a las siguientes dos condiciones: (1) Este dispositivo no debe causar interferencia perjudicial y (2) debe aceptar cualquier interferencia recibida, incluida la interferencia que pudiese causar un funcionamiento no deseado.



**ADVERTENCIA:** Los cambios o las modificaciones a esta unidad que no estén expresamente aprobados por la parte responsable del cumplimiento podrían anular la autorización del usuario para utilizar el equipo. Se le advierte al usuario que todo cambio o modificación a esta unidad que no esté expresamente aprobada por la parte responsable del cumplimiento podría anular la autorización del usuario para utilizar el equipo.



**NOTA:** Este equipo ha sido probado, y se ha verificado que cumple los límites para un dispositivo digital clase B, conforme a la sección 15 de las reglas de la FCC. Estos límites están diseñados para proporcionar protección razonable contra interferencias perjudiciales en una instalación residencial. Este equipo genera, utiliza y puede irradiar energía de radiofrecuencia y, si no se instala y se usa de acuerdo con las instrucciones, puede causar interferencia perjudicial para las comunicaciones de radio. Sin embargo, no se garantiza que no se producirán interferencias en una instalación en especial. Si este equipo causa interferencia perjudicial a la recepción de radio o televisión, lo que se puede determinar al encender y apagar el equipo, se recomienda al usuario que intente corregir la interferencia con una o más de las siguientes medidas: 1) Reoriente o reubique la antena de recepción. 2) Aumente la separación entre el equipo y el receptor. 3) Conecte el equipo en un tomacorriente de un circuito distinto del que está usando el receptor. 4) Solicite ayuda al distribuidor o a un técnico con experiencia en radio/TV.

Nombre de la parte responsable de la FCC : Good Earth Lighting, Inc. Dirección: 1400 E Business Center Drive, STE 108, Mount Prospect IL 60056, USA Número de teléfono: 1-800-291-8838.

## Garantía

### GARANTÍA LIMITADA DE 5 AÑOS

#### LO QUE ESTÁ CUBIERTO

El fabricante garantiza que este accesorio para iluminación estará libre de defectos de materiales y de fabricación durante un período de cinco (5) años a partir de la fecha de compra. Esta garantía se aplica solo al comprador consumidor original y solo a los productos que se sometan a uso y servicio normales. Si se comprueba que este producto presenta algún defecto, la única obligación del fabricante, y el remedio exclusivo para usted, es la reparación o el reemplazo del producto a discreción del fabricante, siempre y cuando el producto no haya sido dañado a través de uso indebido, abuso, accidente, modificaciones, alteraciones, negligencia o manipulación indebida.

#### LO QUE NO ESTÁ CUBIERTO

Esta garantía no se aplicará a ningún producto que se compruebe que ha sido instalado, configurado o utilizado incorrectamente de alguna manera que no esté de acuerdo con las instrucciones suministradas con el producto. Esta garantía no se aplicará a una falla del producto que sea el resultado de un accidente, uso indebido, abuso, negligencia, alteración o instalación defectuosa, o cualquier otra falla que no esté relacionada con material o construcción defectuosos. Esta garantía no se aplicará al acabado de cualquier porción del producto, tal como la superficie y/o la intemperización, ya que se considera que esto es desgaste por el uso normal.

El fabricante no ofrece ninguna garantía y se declara exento específicamente de cualquier garantía, ya sea expresa o implícita, de idoneidad para un propósito específico, que no sea la garantía contenida en el presente documento. El fabricante declina específicamente cualquier responsabilidad y no será responsable de ninguna pérdida o daño emergente o incidental, incluyendo pero sin limitarse a cualquier costo de mano de obra/gasto involucrado en el reemplazo o la reparación de dicho producto.

Contacte al Equipo de Servicio al Cliente llamando al 1-877-527-0313 o visite HomeDepot.com.

## Preinstalación

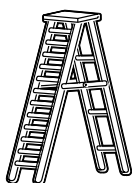
### PLANIFICACIÓN DE LA INSTALACIÓN

Antes de comenzar a ensamblar, instalar o utilizar el producto, asegúrese de que todas las piezas estén presentes. Compare las piezas con la lista del contenido del paquete y la lista del Herrajes incluidos. Si alguna pieza falta o está dañada, no intente ensamblar, instalar ni utilizar el producto. Contacte a servicio al cliente para obtener piezas de repuesto.



**NOTA:** Guarde su recibo y estas instrucciones como comprobante de compra.

### HERRAMIENTAS NECESARIAS



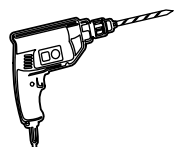
Escalera de mano



Anteojos de seguridad



Destornillador Phillips



Taladro eléctrico con brocas taladradoras de 1/8 in. / 0,3 cm



Guantes

## Preinstalación (continuación)

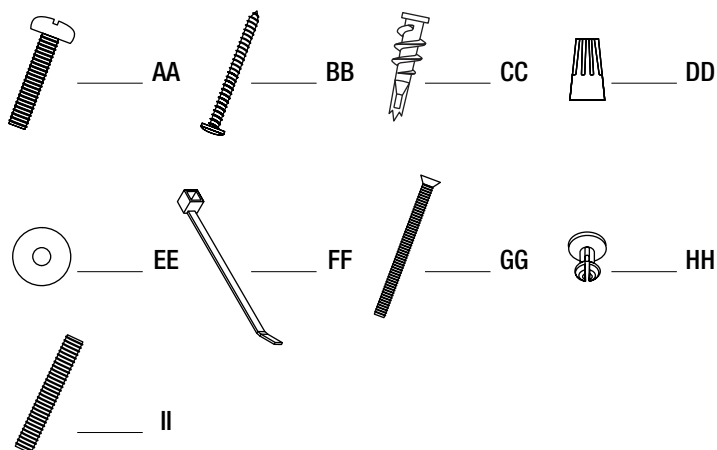
### HERRAJES INCLUIDOS

Kit de aditamentos: ZH-FP1235F48

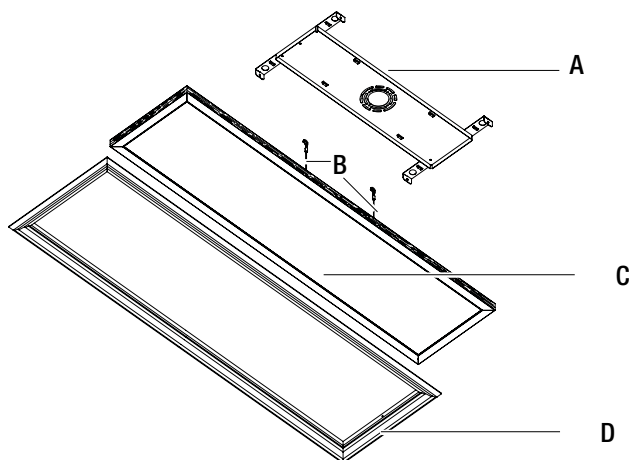


**NOTA:** Los herrajes no se muestran a tamaño real.

Pieza	Descripción	Cantidad
AA	Tornillo de montaje de la caja eléctrica	2
BB	Tornillo para madera	4
CC	Anclaje para panel de yeso	4
DD	Tuerca para cables	3
EE	Arandela	4
FF	Amarre de cable	2
GG	Tornillo para metales	2
HH	Sujetador de presión de plástico	3
II	Tornillo auxiliar	1



### CONTENIDO DEL PAQUETE



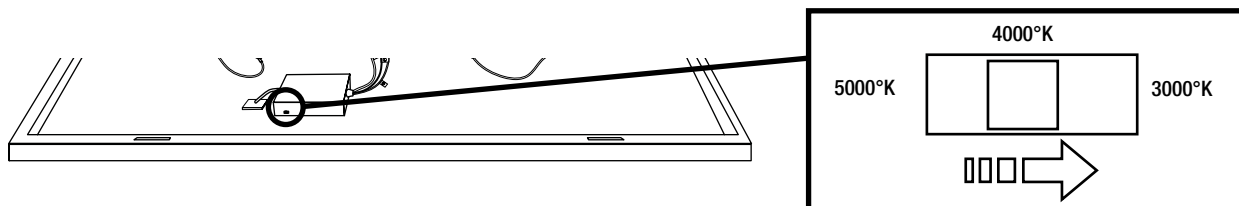
Pieza	Descripción	Cantidad
A	Placa de montaje	1
B	Ganchos de alambre de soporte	1
C	Panel de luces LED plano	1
D	Armazón	1

## Interruptor deslizable de ajuste de 3 luces

- Interruptor deslizable que permite ajustar el color de la luz de temperatura entre 3 valores: Blanco cálido: 3000°K, Blanco brillante: 4000°K, Luz diurna: 5000°K



**NOTA:** El ajuste preestablecido para la temperatura de color correlativa (TCC) es 4000 °K, la luz blanca intensa.



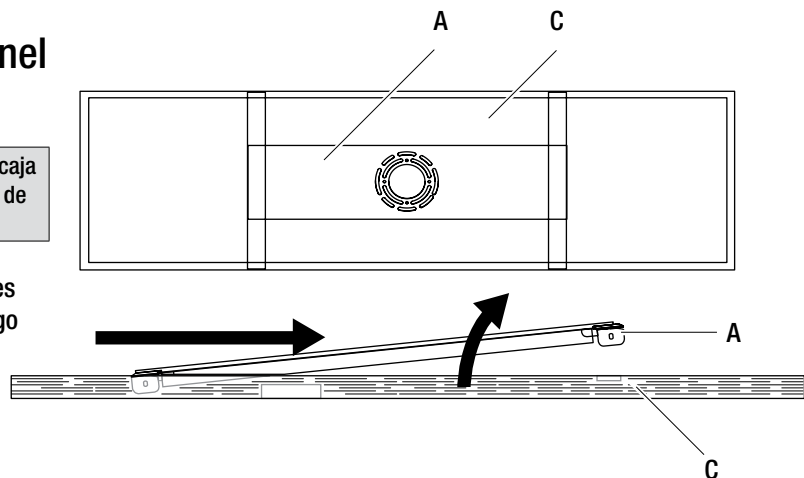
# Instalación

## 1 Retire la placa de montaje del panel plano de luces LED



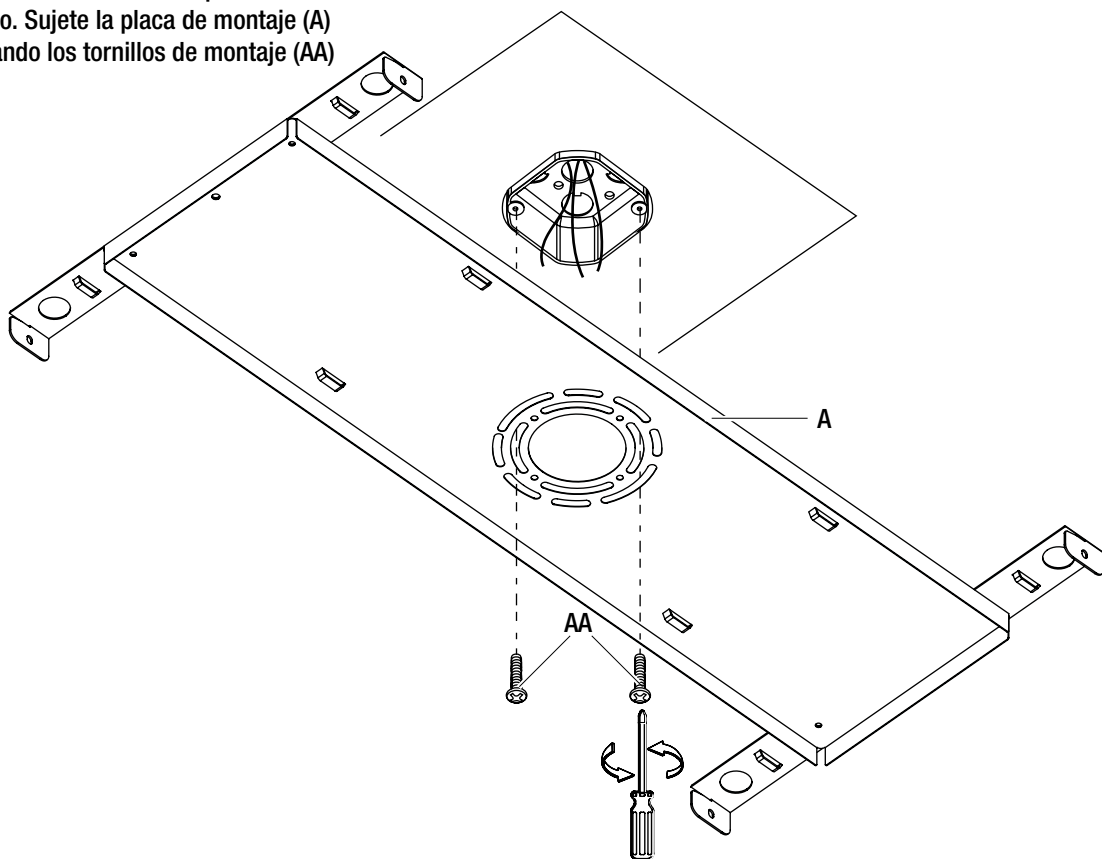
**PELIGRO:** Desconecte la alimentación eléctrica en la caja de cortacircuitos/fusibles. Ponga el interruptor de pared de la caja de conexiones en la posición de apagado.

- Retire la placa de montaje (A) del panel plano de luces LED (C) deslizándola en dirección a las ranuras y luego levantándola.



## 2 Sujete la placa de montaje a la caja eléctrica

- Sostenga la placa de montaje (A) hacia arriba contra la caja de conexiones en la orientación de montaje deseada del accesorio para iluminación. Jale los cables de suministro negro, blanco y de conexión a tierra de la caja eléctrica a través del agujero ubicado en el centro de la placa de montaje. Los cables de conexión a tierra pueden ser verdes o de cobre pelado. Sujete la placa de montaje (A) a la caja eléctrica utilizando los tornillos de montaje (AA) suministrados.

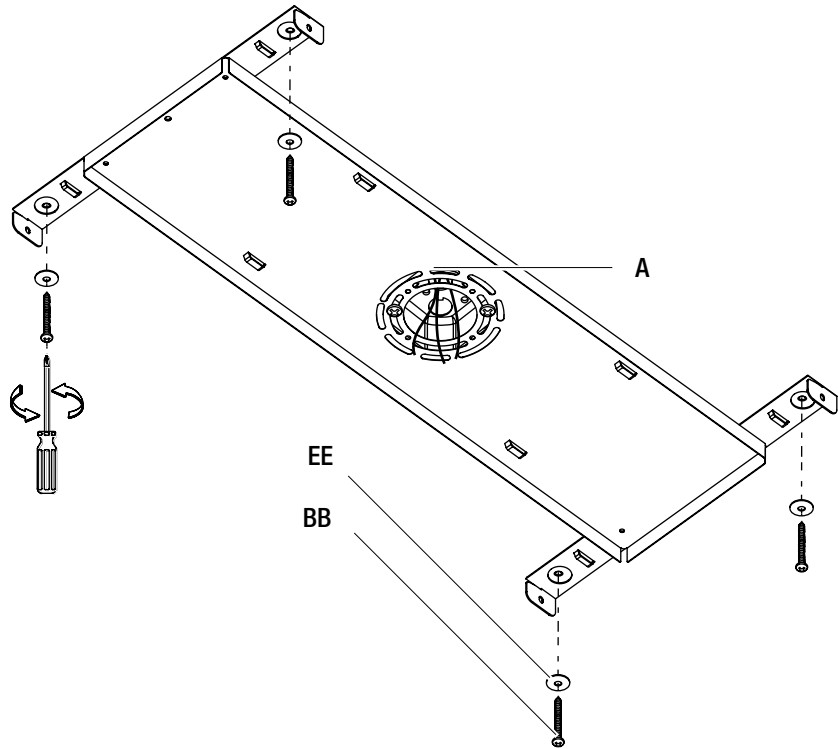




## Instalación (continuación)

### 3 Fije la placa de montaje a la superficie con montante de madera (opción 1)

- Montante de madera: Localice los agujeros abiertos de montaje en las esquinas de la placa de montaje (A) y taladre un agujero piloto de 1/8 de pulgada en el centro. Si se encuentra un montante de madera, utilice los tornillos para madera (BB) y las arandelas (EE) que se suministran para fijar la placa de montaje (A) directamente al montante.

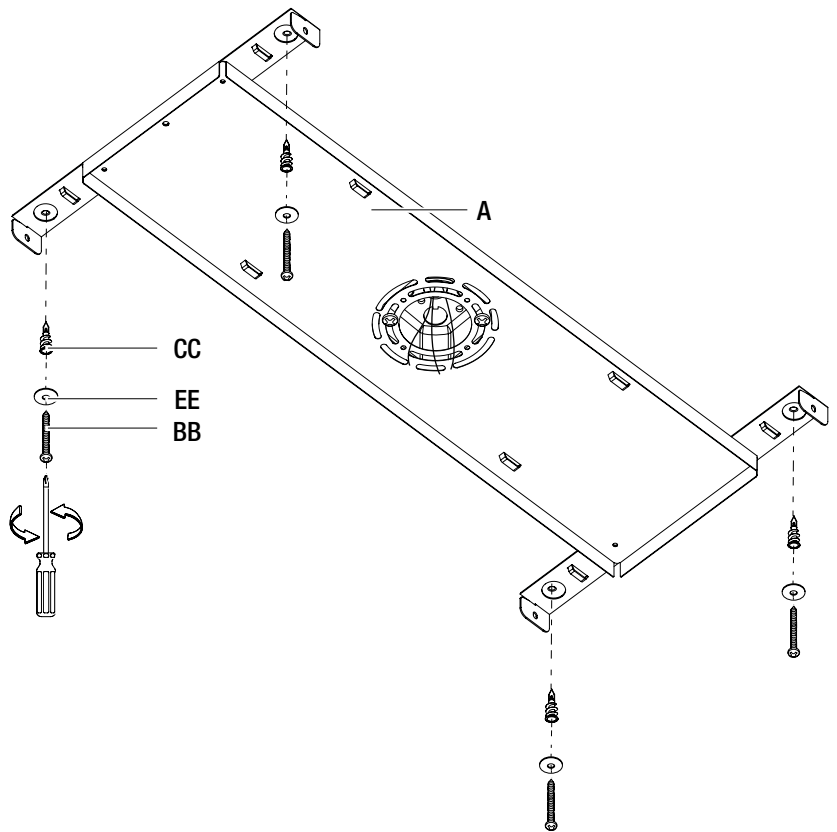


### 4 Fije la placa de montaje a la superficie con panel de yeso (opción 2)

- Si no se encuentra ningún montante, coloque los anclajes para panel de yeso (CC) en los agujeros piloto y enrósquelos en la posición correcta hasta que estén al ras con la superficie de panel de yeso. Coloque la arandela (EE) sobre el agujero de montaje y apriete los tornillos largos (BB) hacia el interior de los anclajes para panel de yeso (CC) hasta que estén bien ajustados. **NO LOS APRIETE EXCESIVAMENTE.**



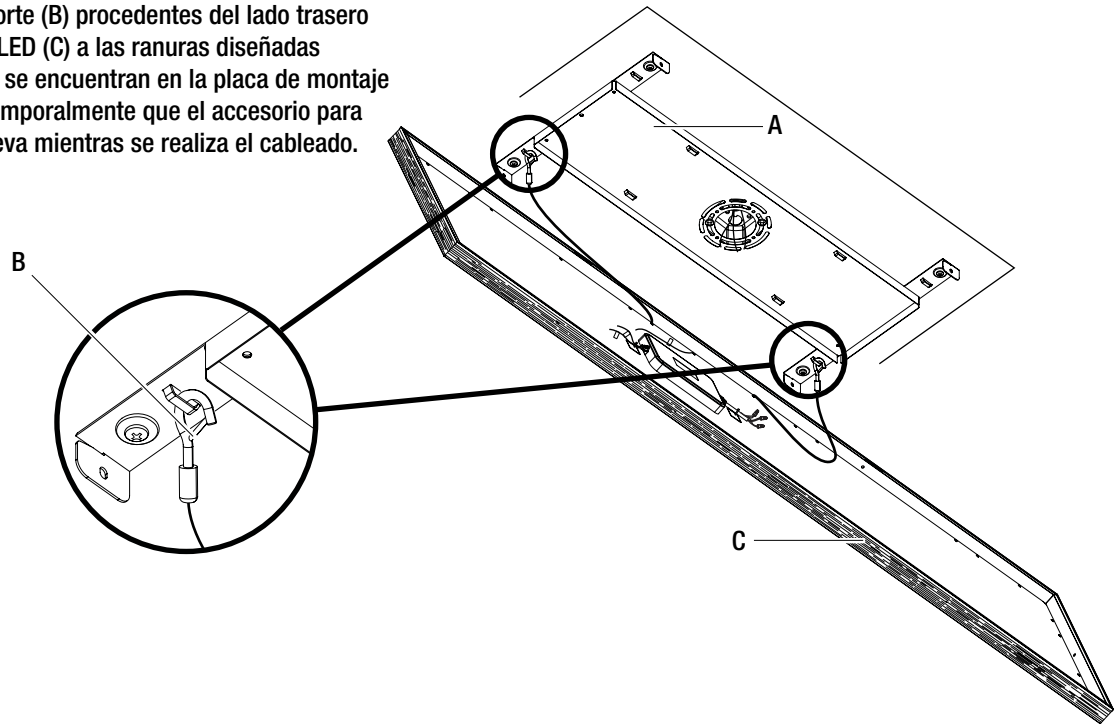
**NOTE:** El soporte principal para la placa de montaje (A) es la caja eléctrica cuando esta se encuentra firmemente sujeta. Si la caja eléctrica no está firmemente sujeta, se deberán utilizar métodos de montaje alternativos, tales como tirafondos (no incluidos), para sujetar la placa de montaje.



## Instalación (continuación)

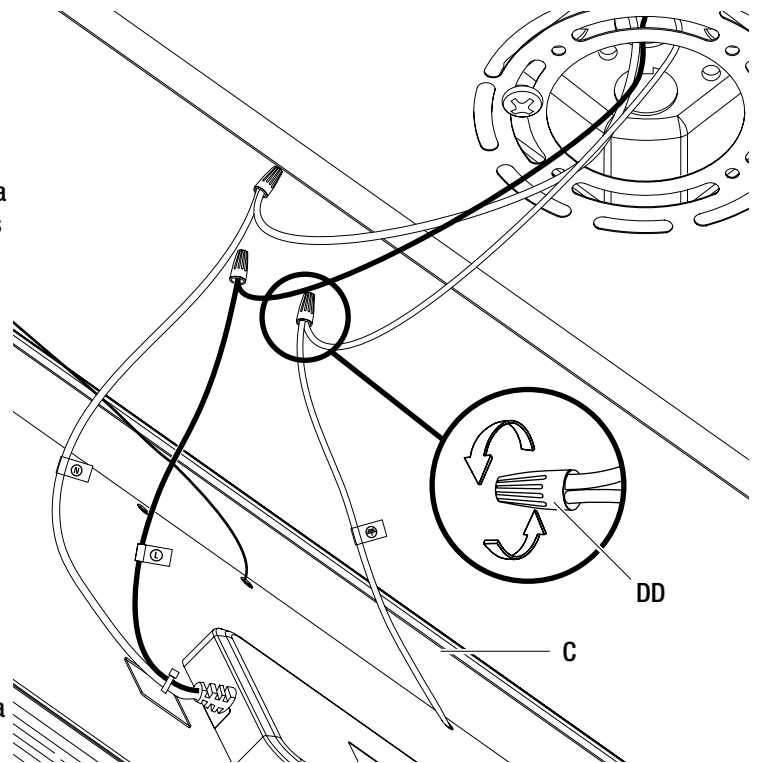
### 5 Haga las conexiones eléctricas

- Sostenga el panel plano de luces LED (C) hacia arriba contra la placa de montaje fijada (A) y acople los ganchos de alambre de soporte (B) procedentes del lado trasero del panel de luces LED (C) a las ranuras diseñadas especialmente que se encuentran en la placa de montaje (A), para impedir temporalmente que el accesorio para iluminación se mueva mientras se realiza el cableado.



### 6 Haga las conexiones eléctricas (continuación)

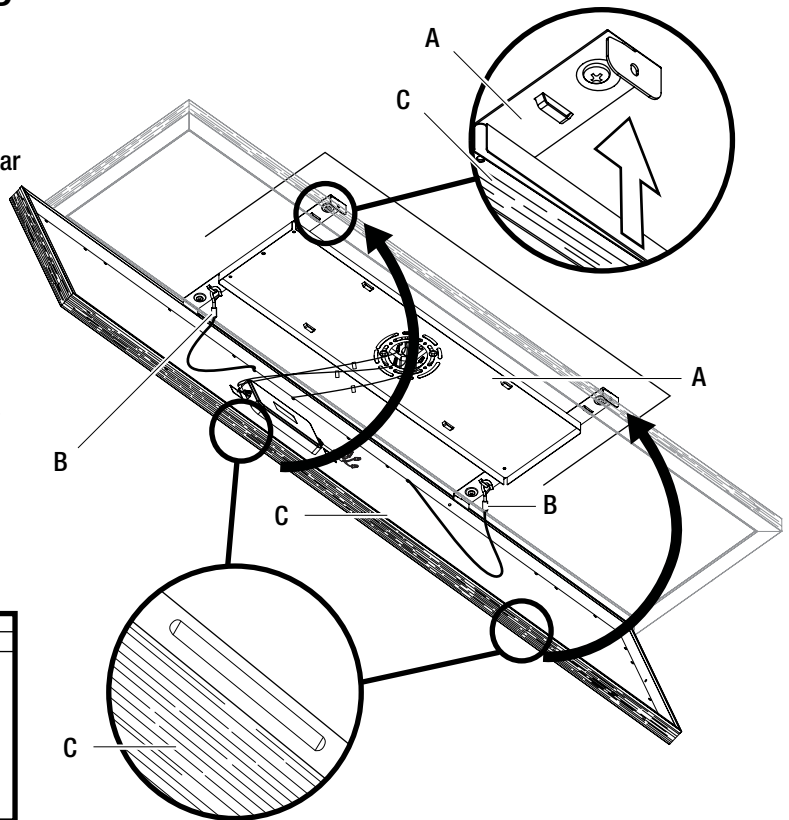
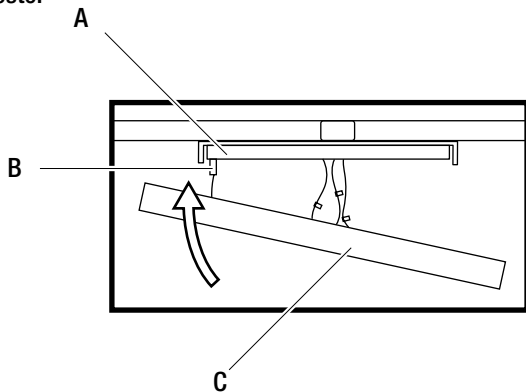
- El accesorio para iluminación se debe conectar a tierra adecuadamente. Conecte el cable de conexión a tierra del accesorio para iluminación (⊕) al cable de conexión a tierra de la caja eléctrica utilizando tuercas para cables (DD). Los cables de conexión a tierra pueden ser verdes o de cobre pelado.
- Conecte el hilo de suministro negro al cable negro del accesorio para iluminación (L) y el hilo de suministro blanco al cable blanco del accesorio para iluminación (N) utilizando tuercas para cables (DD).
- Sujete firmemente las tuercas para cables (DD) de manera adecuada para impedir que los cables se aflojen. Utilice amarres de cable (FF) para sujetar firmemente los cables sueltos del accesorio para iluminación uno con otro en el centro de la placa de montaje (A), con el fin de evitar que interfieran durante el montaje del accesorio para iluminación.
- Empuje todo exceso de cable de vuelta al interior de la caja eléctrica.



## Instalación (continuación)

### 7 Instale el panel plano de luces LED en la placa de montaje

- Manteniendo los ganchos de alambre de soporte (B) acoplados a la placa de montaje (A), levante el panel plano de luces LED (C), teniendo cuidado de no rasguñar el techo.
- Alinee e inserte las 2 lengüetas metálicas ubicadas en el mismo lado de la placa de montaje (A) que los alambres de soporte (B) en las ranuras correspondientes que se encuentran en el panel de luces LED.
- Mientras mantiene las 2 primeras lengüetas metálicas insertadas, rote el panel plano de luces LED (C) hacia arriba e inserte las 2 lengüetas restantes en el lado opuesto.

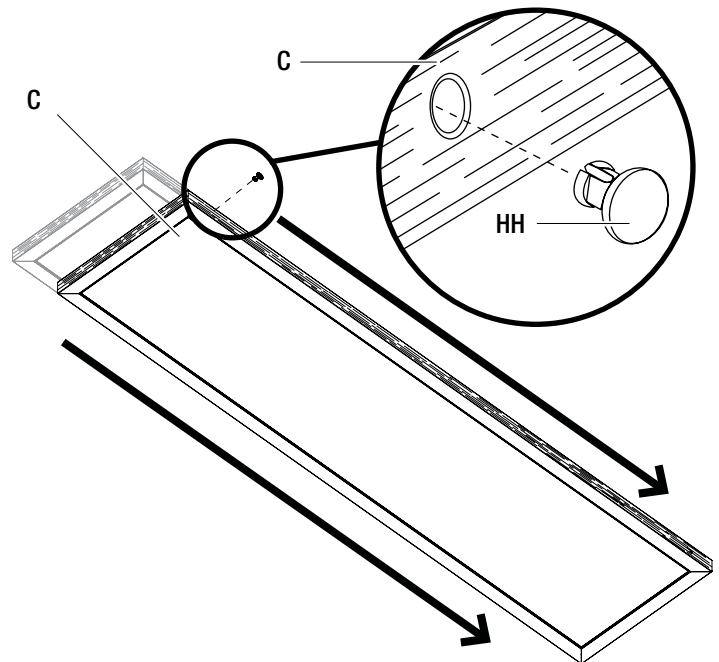


### 8 Instale el panel plano de luces LED en la placa de montaje (continuación)

- Deslice el panel plano de luces LED (C) hasta que las lengüetas queden fijas en la posición correcta. Tenga presente que el sentido será hacia la izquierda o hacia la derecha, dependiendo de la orientación del panel (C).
- Suelte lentamente el accesorio para iluminación, asegurándose de que permanezca en la posición correcta.



**NOTA:** Para asegurarse de que el panel plano de luces LED (C) permanezca en la posición correcta, se debe instalar el sujetador de fijación. Para fijar el panel plano en la posición correcta, inserte el sujetador de presión de plástico (HH) en el agujero pretaladrado en el lado del panel plano.



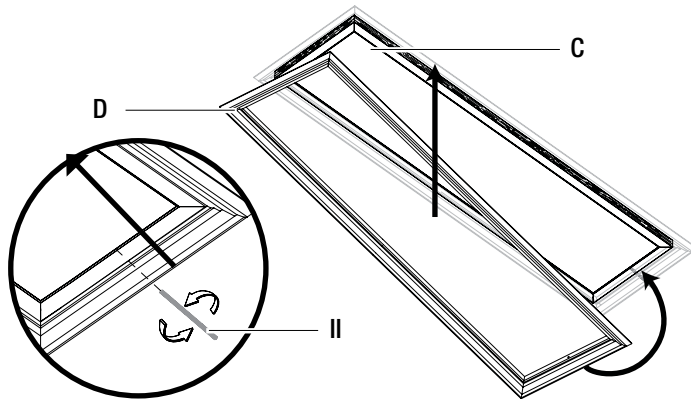
## Instalación (continuación)

### 9 Instale el armazón en el panel plano de luces LED

- Para ayudar a instalar el armazón en el panel plano de luces LED, enrosque el tornillo auxiliar (II) en uno de los 2 agujeros pretaladrados en el panel plano de luces LED (C).
- Lleve el armazón de madera (D) hacia arriba hasta el techo y colóquelo sobre el panel de luces LED (D) y a través del tornillo auxiliar (II).

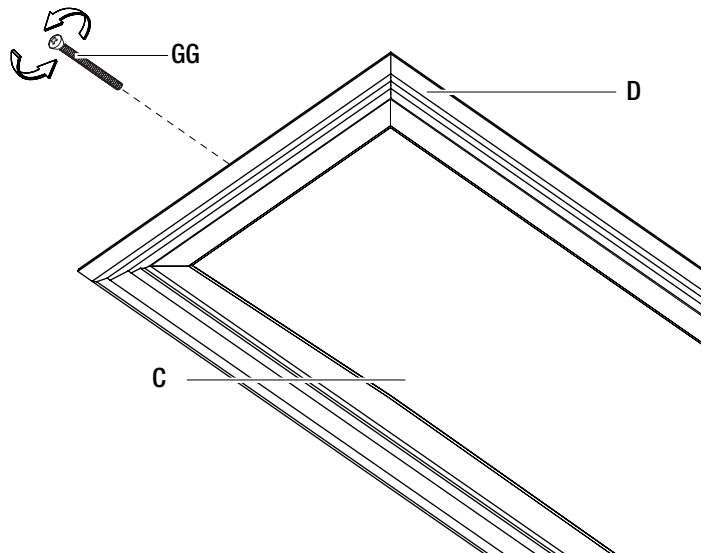


**NOTA:** Asegúrese de que los 2 agujeros pretaladrados ubicados en cada extremo del armazón (D) estén lo más cerca posible del techo. El armazón (D) deberá encajar perfectamente alrededor del panel plano de luces LED (C).



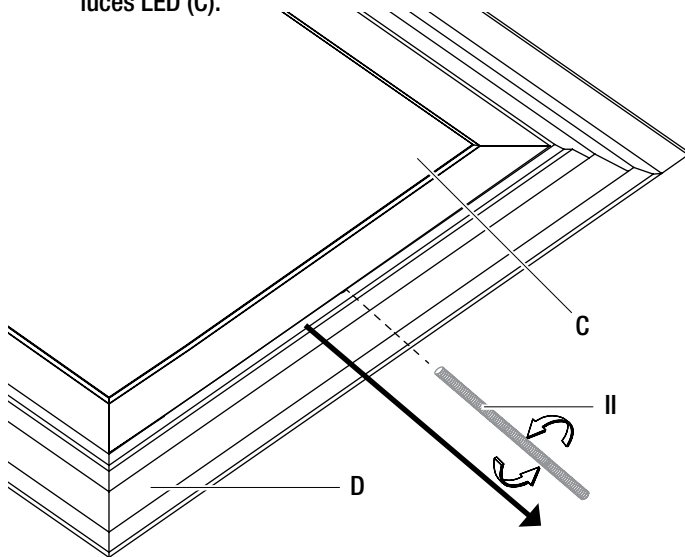
### 10 Instale el armazón en el panel plano de luces LED (continuación)

- Inserte el tornillo largo para metales (GG) a través de 1 de los 2 agujeros pretaladrados ubicados en cada extremo del armazón (D) y luego fíjelo en el agujero roscado del panel plano de luces LED (C).



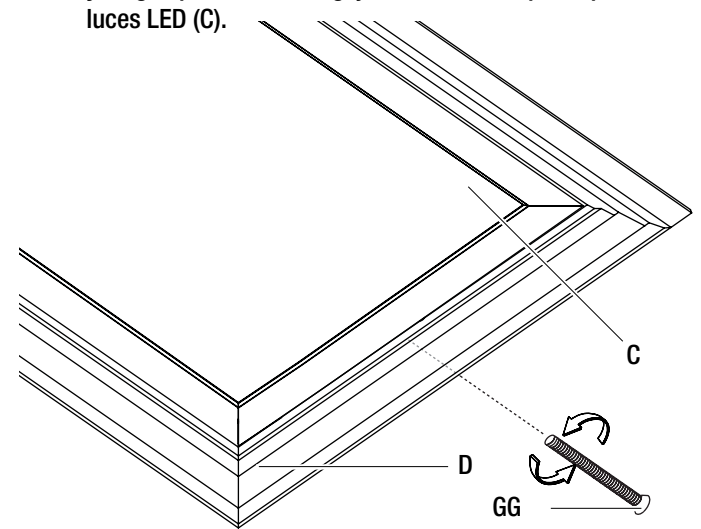
### 11 Instale el armazón en el panel plano de luces LED (continuación)

- Desenrosque el tornillo auxiliar (II) para sacarlo del agujero roscado ubicado en el armazón (D) y el panel plano de luces LED (C).



### 12 Instale el armazón en el panel plano de luces LED (continuación)

- Inserte el otro tornillo largo para metales (GG) a través del otro agujero pretaladrado en el extremo del armazón (D) y luego apriételo en el agujero roscado del panel plano de luces LED (C).



## Mantenimiento

Limpie periódicamente el accesorio para iluminación y el difusor utilizando un limpiador suave que no sea abrasivo y un paño suave. Cuando limpie el accesorio para iluminación, asegúrese de que la alimentación eléctrica esté desconectada. No rocíe limpiador directamente sobre ninguna parte del accesorio para iluminación de luces LED.

## Resolución de problemas

Problema	Causa	Solución
El accesorio para iluminación no se enciende.	<ul style="list-style-type: none"><li><input type="checkbox"/> La alimentación eléctrica está desconectada.</li><li><input type="checkbox"/> Conexiones flojas.</li><li><input type="checkbox"/> Interruptor de pared defectuoso.</li></ul>	<ul style="list-style-type: none"><li><input type="checkbox"/> Compruebe si la fuente de alimentación está conectada.</li><li><input type="checkbox"/> Compruebe la conexión en la tuerca para cables.</li><li><input type="checkbox"/> Pruebe o reemplace el interruptor.</li></ul>
El fusible se funde o el cortacircuitos salta al encender la luz.	<ul style="list-style-type: none"><li><input type="checkbox"/> Descontinúe el uso.</li><li><input type="checkbox"/> Se está usando una conexión incorrecta.</li><li><input type="checkbox"/> Cortocircuito eléctrico.</li></ul>	<ul style="list-style-type: none"><li><input type="checkbox"/> Llame a servicio al cliente.</li><li><input type="checkbox"/> Compruebe todas las conexiones.</li></ul>







¿Preguntas, problemas, faltan piezas? Antes de devolver el producto a la tienda,  
llame a Servicio al Cliente de Commercial Electric  
8 a.m. - 7 p.m., Hora del Este (EST), lunes a viernes, 9 a.m. – 6 p.m., Hora del Este (EST), sábado

**1-877-527-0313**

**HOMEDEPOT.COM**

Retenga este manual para uso futuro.