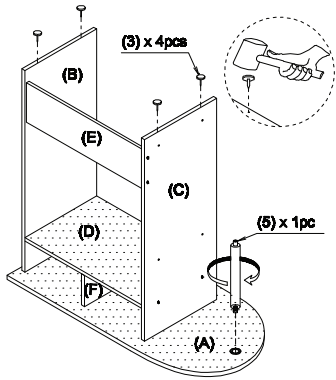


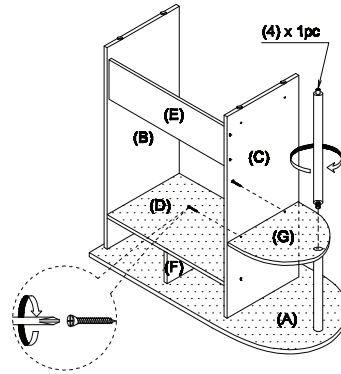
STEP 5

- 5.1 Tighten Short Pole(5) to Insert Cap(7).
- 5.2 Install Nail Leg(3) to the bottom of Side Panel (B) & (C) using hammer.



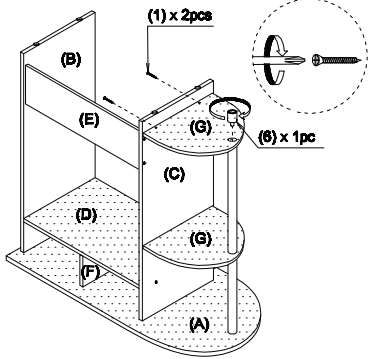
STEP 6

- 6.1 Attach Panel (G) to Panel (C) using Screw(1).
- 6.2 Attach Long Pole(4) and tighten it.



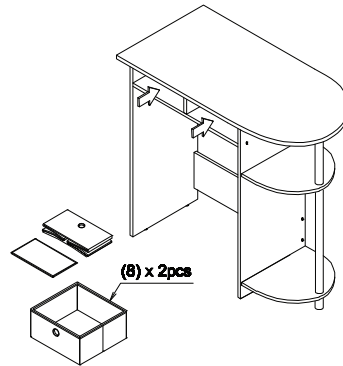
STEP 7

- Attach another Panel (G) to Panel (C) using Screw(1) and then tighten with Leg(6).

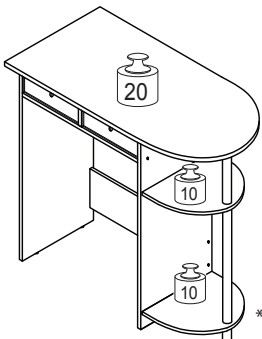


STEP 8

- Unfold Bins(8) and slide into the desk.



Recommended Maximum Weight



*Unit in Pound(lbs)

WARNING:

>This unit has been designed to support the maximum loads shown. Exceeding these load limits could cause sagging, instability, product collapse, and/or serious injury.

>DO NOT allow children to climb on unit.

>Put heavier items on lower shelves.



Assembly Instruction

Furinno Go Green Home Laptop Notebook Computer Desk/Table

MODEL : 11193

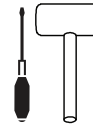
DIMENSION : 31.5"(W) x 28.5"(H) x 15.6"(D)

00:30

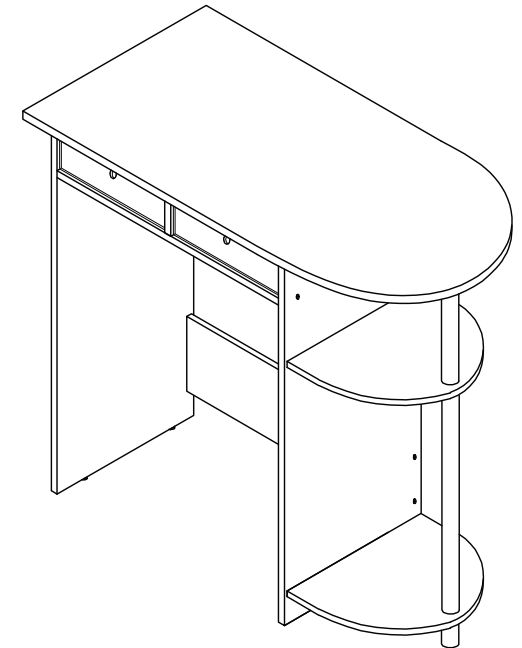
Approx. 30 minutes



Recomm. 1 Person



Tools Required

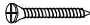


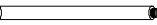
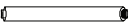



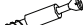






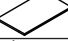



Customer Support

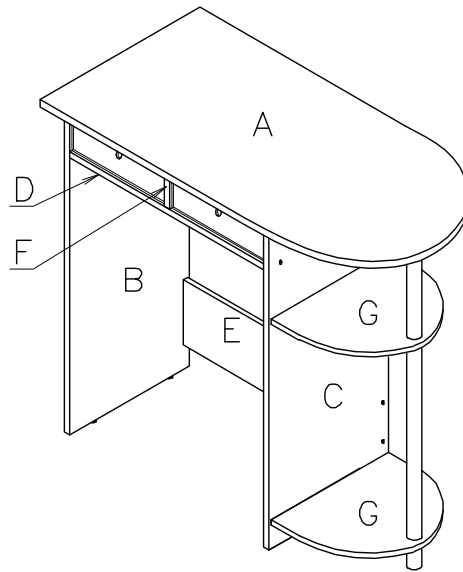
NEED HELP? For help with assembly, or if you are missing a part, please call Furinno Customer Service, 1-773-299-8111 from Mon-Fri, 9am-5pm (CST) or email: support@furinno.com

www.furinno.com



No	Hardware List	Qty
1	Screw 	12pcs
2	Plastic Dowel 	8pcs
3	Nail Leg 	4pcs
4	Long Pole 	1pcs
5	Short Pole 	1pcs
6	Leg 	1pcs
7	Insert Cap 	1pcs
8	Non-Wooven Bin 	2pcs
9	Cam-Lock Screw 	4pcs
10	Cam-Lock Nut 	4pcs

No	Parts List	Qty
A	Top Panel 	1pcs
B	Left Side Panel 	1pcs
C	Right Side Panel 	1pcs
D	Shelf Panel 	1pcs
E	Bottom Panel 	1pcs
F	Center Panel 	1pcs
G	Curve Shelf Panel 	2pcs

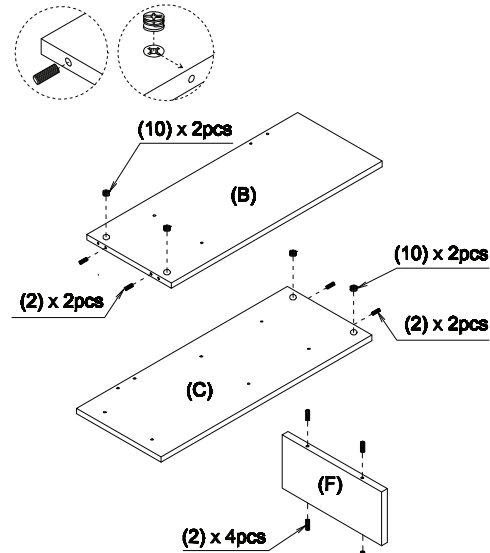


USEFUL HINTS BEFORE YOU START:

1. Read each step carefully before starting.
2. It is important that each step is performed in correct order to avoid difficulties.
3. Identify, sort and count the parts before assembly.
4. Assemble your furniture on packaging cardboard to prevent scratch or damage.
5. Clean the product with mild cleanser using soft damped cloth. Do not use harsh or abrasive cleanser.
6. Using incompatible hardware might cause damage to product.

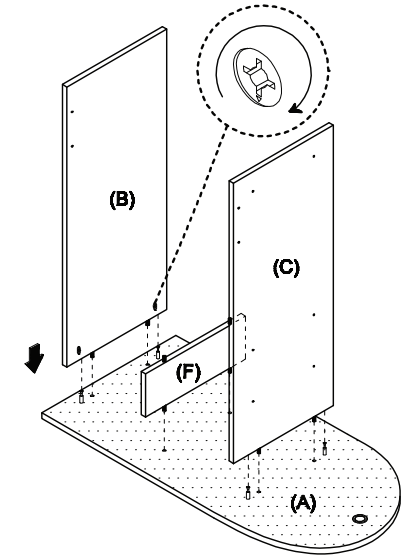
STEP 1

- 1.1 Insert Dowel (2) to Panel (B) (C) & (F).
 - 1.2 Insert Cam-Lock Nut (10) into Panel (B) & (C).
- Note: Arrow on Cam-Lock Nut (10) should be pointing towards hole.**



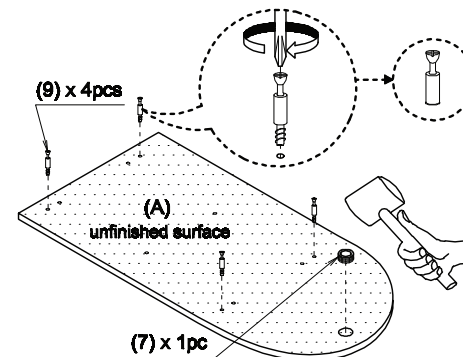
STEP 3

Attach Panel (B) (C) & (F) to Panel (A) and tighten Cam-Lock Nut (10) using screwdriver.



STEP 2

Screw Cam-Lock Screw (9) into the pre-drilled holes on Panel (A).
Fix Insert Cap (7) into Panel (A) using hammer.



STEP 4

Attach Panel (D) & (E) to Panel (B) & (C) using Screw (1).

