

# NOWPRESSO

*experience coffee freedom*

## Portable Espresso Machine

OPERATION MANUAL  
Model No. NP001



# NOWPRESSO

*experience coffee freedom*

## Contents

Introduction	3
Pack Contents	3
Safety Precautions	3
Product Overview	9
Installation of Battery Pack	10
Operation Guide	11
Operation Method	12
Operation Instructions of Power Supply	15
Technical Specifications	17
Cleaning and Maintenance	18
12 Month Warranty	19

## Experience Coffee Freedom

Thank you for using our coffee machine. To ensure your correct operation and maintenance of this machine, this Manual needs to be read carefully before operating the machine, and kept properly for future reference.

This Manual is only applicable to our coffee machine. The Company reserves the final interpretation right. All the contents in the Manual are for the user's reference during operation and maintenance. For the unmentioned matters, the users can contact our customer service department. In case of any deficiency found in this Manual, the users' valuable opinions are welcome. We hope that our products can further add value to your life.

## Pack Contents

- 1 x NowPresso Portable Espresso Machine
- 1 x Battery Pack
- 1 x 12V Car Charger
- 1 x AC Adaptor
- 1 x Adaptor Power Cable

## IMPORTANT

Only use water with NowPresso Portable Espresso Machine. Only use Nespresso® Capsules or SealPod reusable stainless steel capsules (remove silicon band) for your own espresso grind.

## Safety Precautions

The significant contents concerning safety must be read carefully to protect you and others from injury and damage.

The wrong operation may cause two degrees of danger:



### **WARNING!**

The contents that may cause death or serious injury.



### **CAUTION!**

The contents that may cause danger.

**⚠ WARNING!**

- Be careful about scalding
- Warning: avoid spillage on the connector
- Warning: potential injury from misuse
- The heating element surface is subject to residual heat after use.
- The machine shall not be placed in a cabinet when in use.
- Cleaning and user maintenance shall not be made by children without supervision.
- This machine can be used by children aged from 8 years and above if they have been given supervision or instruction concerning use of the machine in a safe way and if they understand the hazards involved. Cleaning and user maintenance shall not be made by children unless they are older than 8 and supervised. Keep the machine and its cord out of reach of children aged less than 8 years.
- If the machine is used with the AC adaptor, it can be used in household and similar applications such as:
  - staff kitchen areas in shops, offices and other working environments;
  - farm houses;
  - by clients in hotels, motels and other residential type environments;
  - bed and breakfast type environments.
- The machine must not be immersed.
- The machine must not be used on an aircraft.
- Warning: For the purposes of recharging the battery, only use the detachable supply unit provided with this machine.
- This machine is not intended for use by persons (including children) with reduced physical, sensory or mental capabilities, or lack of experience and knowledge, unless they have been given supervision or instruction concerning use of the machine by a person responsible for their safety.
- Children should be supervised to ensure that they do not play with the machine.
- The machine is only to be used with the power supply unit provided with the machine, it must only be supplied at safety extra low voltage corresponding to the marking on the machine.
- If the supply cord is damaged, it must be replaced by the manufacturer, its service agent or similarly qualified persons in order to avoid a hazard.
- This machine can be used in the car. Do not operate machine while driving.

- Never touch the heating disc and steam vent of machine when and immediately after this machine is used for making and heating the coffee.
- Special care needs to be taken to prevent children from touching the machine (for fear of scalding).
- The air vent water lid must be installed well when the machine is being used for making and heating the coffee.
- The water in the water cavity, if excessive, may overflow (for fear of scalding).
- Never shake the machine body during use. General safety instructions, the machine may topple and fall (for fear of scalding).
- The filled water must not be over the MAX (maximum) water level line marked inside of the water cavity of the machine. The water may overflow.



**WARNING!:** Condition of power cable, power plug and battery

- Use the rated 5A/ 220-240V power socket separately. When this machine shares the same multi-purpose socket with other electric machines, abnormal heating may occur (risk of ignition and fire). If the multi-purpose socket is used, its rated current needs to be above 5A, and it needs to be used separately.
- Insert the power plug into the socket to the end (risk of ignition and fire caused by electric shock and short circuit).
- Remove the dust on the power plug periodically. Bad contact caused by moisture and other reasons (risk of ignition and fire caused by bad contact). Wipe the power plug with a dry cloth.
- Never unplug the power plug with wet hands (risk of electric shock).
- Never destroy the power cable or power plug. Without permission, never machine, damage, excessively bend, forcefully pull or twist the power cable or power plug, place the power cable or power plug near a heating object or under heavy load, or squeeze the power cable or power plug (potential risk of ignition and fire caused by electric shock and short circuit).
- If the power cable or power plug is damaged, or still loose after they are inserted into the socket, never use the machine (risk of ignition and fire caused by electric shock and short circuit).
- Never disassemble or damage the battery (potential risk of ignition and fire caused by short circuit of battery).
- Never place the battery on a flame (potential risk of ignition and fire caused by battery).



**WARNING!:** To avoid accidents, the following must be followed:

- Children must not use the machine independently. Never use the machine at the position that any children can reach (risk of scalding, electric shock or injury).
- Never disassemble, repair or modify this machine (risk of scalding, electric shock or injury). For the repair of the machine, please consult the dealer.
- The machine must not be immersed in water, or splashed by water. (Risk of ignition caused by electric shock and short circuit).
- In case of abnormality or fault, stop the machine immediately, and unplug the plug from the power socket (possibility of smoking, ignition, electric shock, scalding and injury).
- Abnormality and fault cases:
  - The power cable or power plug is deformed, discolored or damaged;
  - A part of the power cable or the power plug becomes hot;
  - In case of moveable power cable, the machine is powered on and off intermittently;
  - The machine body becomes abnormally hot, or has a burning smell;
  - The application body has abnormal sound during operation.
- For maintenance and repair of the machine, please contact the after-sales department of the Company.



**CAUTION! :** Never use the machine under the following conditions:

**⚠ CAUTION!**

- Never use the machine near a fire (risk of fire).
- Notice the use of power plug.
- To unplug the power plug, it is necessary to hold the power plug, not the power cable (risk of fire caused by electric shock and short circuit).
- Be careful about scalding or injury.
- Never open the air vent water lid during or immediately after heating before the water in the water cavity is pumped out (risk of scalding).

- Never touch the hot water, PTC (positive temperature coefficient) or other high-temperature position during or immediately after use of the machine (risk of scalding).
- Don't touch the piercing knife during use of the machine or when cleaning the interior of the capsule insert because the sharp knife may hurt your finger.

**⚠ CAUTION!**

- The machine can be cleaned after it cools down (risk of scalding).
- Notice to wash the capsule cap and drinking cup and wipe them dry before and after using the machine; the residual coffee, if any, may cause abnormal taste and food decomposition.
- The machine body can be cleaned by wiping with a cloth.
- During use, please use clean drinking water for heating and pumping because the sundries or particles in the water, if any, may produce scale deposits inside the machine or damage the water pump.
- If the machine drops onto the ground, please unplug the power plug from the power socket. In case of any fault, please contact our after-sales department.
- Never use the machine without water (potential risk of fault).
- To reduce the risk of fire or electric shock, do not expose this machine to rain or moisture. The machine must not be exposed to dripping or splashing and objects filled with liquids, such as vases, must not be placed on machine.
- The mains plug/machine coupler is used as the disconnect device, the disconnect device must remain readily operable.
- Danger of explosion if battery is incorrectly replaced. Replace only with the same or equivalent type.

**⚠ WARNING!**

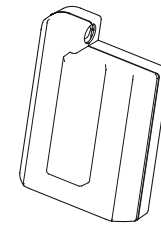
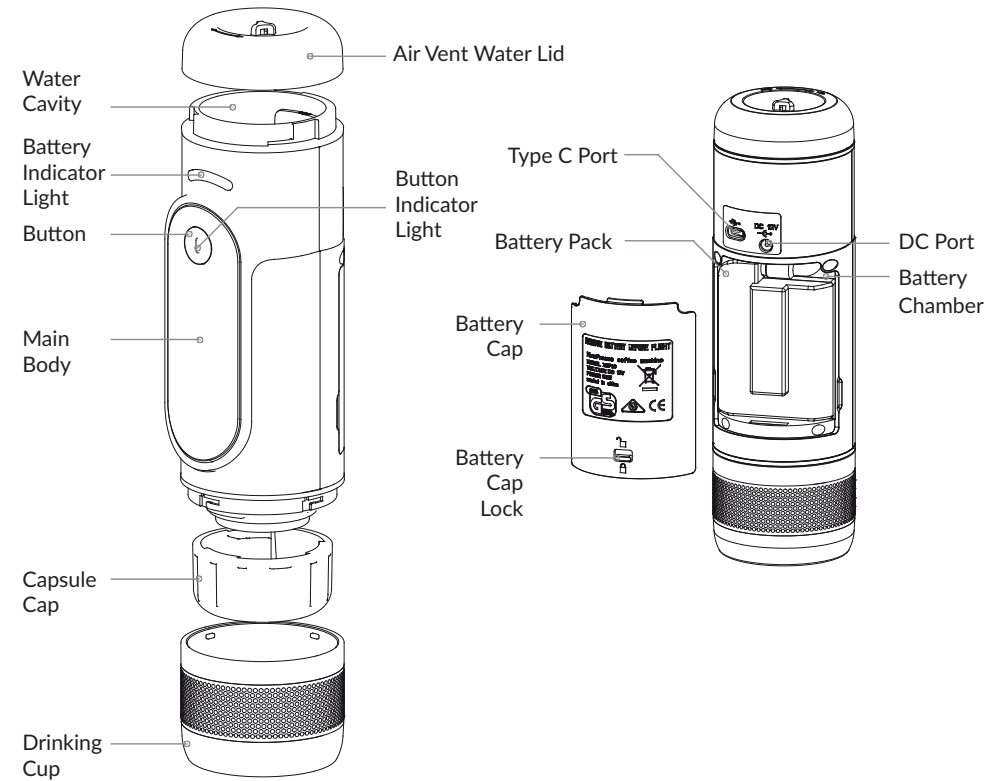
- The battery (batteries or battery pack) shall not be exposed to excessive heat such as sunshine, fire or the like.
- Before operating this system, check the voltage of this system to see if it is identical to the voltage of your local power supply.
- Do not place this machine close to strong magnetic fields.
- Do not place this machine on an amplifier or receiver.
- Do not place this machine close to damp areas as the moisture will affect the life of the laser head.

- If any solid object or liquid falls into the machine, unplug the system and have it checked by qualified personnel before operating it any further.
- Do not attempt to clean the machine with chemical solvents as this may damage the finish. Use a clean, dry or slightly damp cloth.
- When removing the power plug from the wall outlet, always pull directly on the plug, never yank on the cord.

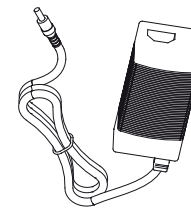
**⚠ WARNING!**

- Warning: Not using the non-rechargeable batteries.
- The battery must be removed from the machine before it is scrapped.
- The machine must be disconnected from the supply mains when removing the battery.
- The battery is to be disposed of safely.

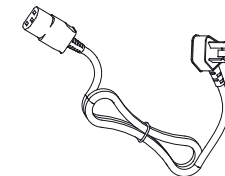
## Product Overview



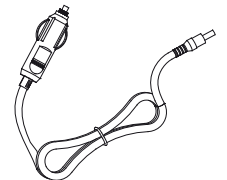
Battery Pack



AC Adaptor



Adaptor Power Cable



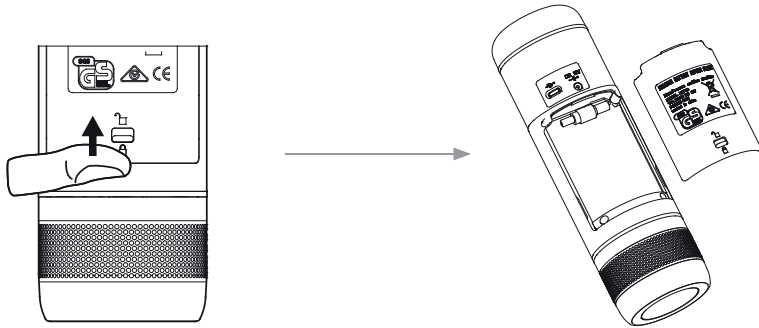
Car Charger

## Installation of Battery Pack

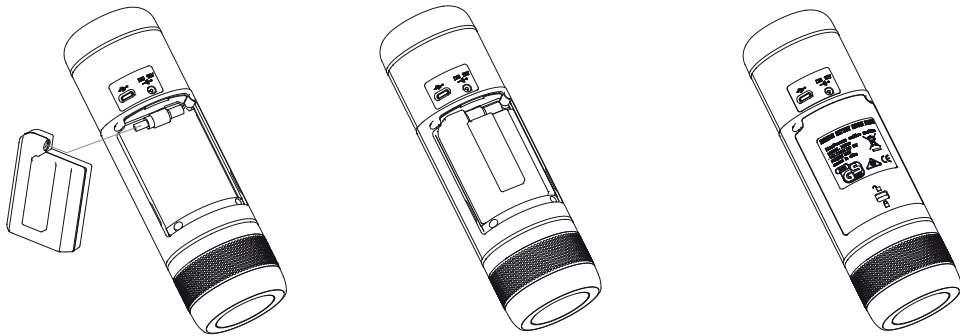
### ⚠ Note:

When the machine is delivered, the battery pack and the main body are stored separately. The user shall install the battery pack themselves.

1. Press the battery cap lock upward, and open the battery cap.



2. Insert the internal plug of the machine into the socket of battery pack, then place the battery pack in the battery chamber of the machine, install the battery pack, close the battery cap and press down the lock. Now the installation of the battery pack is complete.

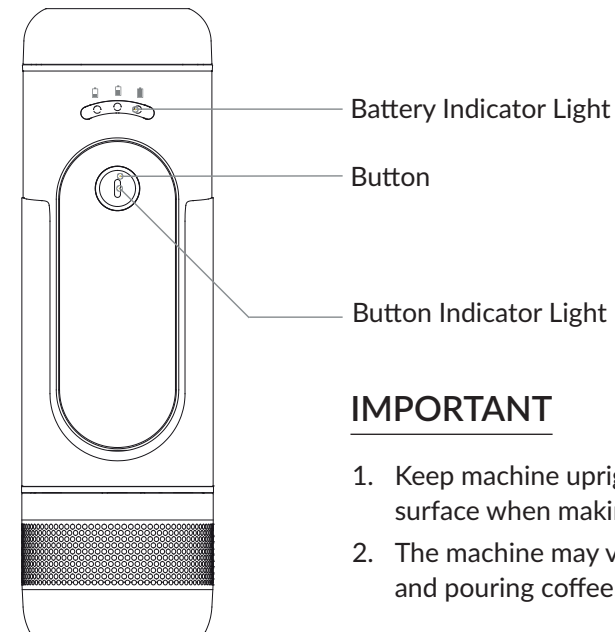


### ⚠ Note:

- If you go aboard with this machine, the battery must be dismantled and stored separately. "Remove the battery before flight." Battery must be stored in carry on luggage.
- The dismantling steps are opposite to the above steps.

## Operation Guide

1. To make coffee boiling water. Hold the button for at least 2 seconds until the buzzer makes one sound and the battery indicator light goes on. The button indicator light shows white breathing light, and the heating disc starts heating. When the water temperature is up to the suitable temperature, the buzzer makes two sounds, and the water pump starts pumping. After pumping, the water pump stops, button indicator light turns green, buzzer makes 4 sounds. The coffee is poured.
2. To instantly make coffee using boiled or iced water. Hold the button for at least 5 seconds until the buzzer makes two sounds and the battery indicator light goes on. The button indicator light shows white breathing light and the water pump starts pumping. After pumping, the water pump stops, button indicator light turns green, buzzer makes 4 sounds. The coffee is poured.
3. If the button is pressed once during the above two operations, the machine stops.
4. The battery indicator light indicates the power capacity of battery pack. When three lights are on together, the power capacity is sufficient; when two lights are on together, the power capacity is about 60% of battery pack capacity; when only one light is on, the power capacity is about 30% of battery pack capacity; in case of extremely low power capacity, the battery pack needs to be charged.



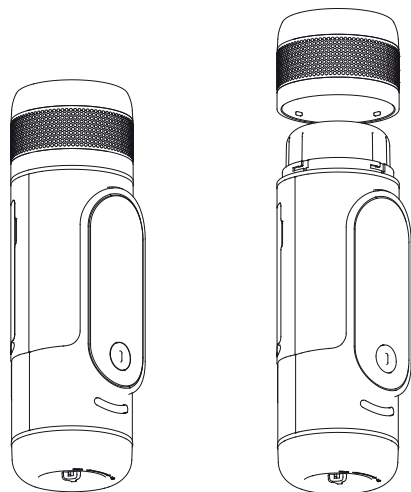
### IMPORTANT

1. Keep machine upright and on a stable surface when making coffee.
2. The machine may vibrate when pumping and pouring coffee.

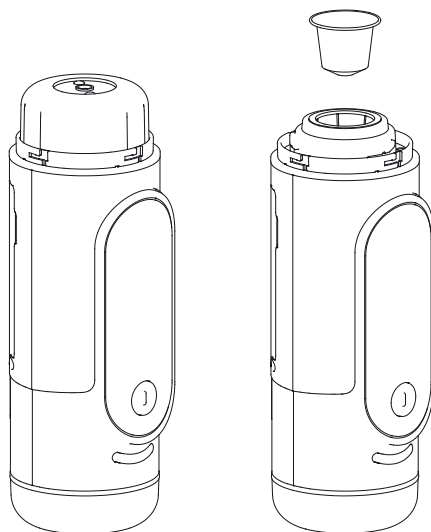
## Operation Method

### Heating and making of coffee

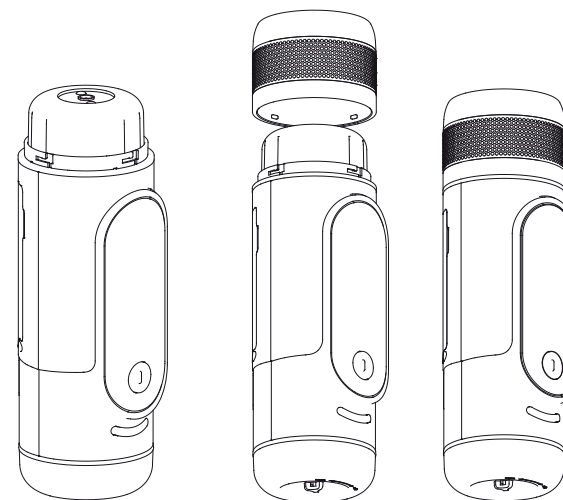
1. Turn machine up-side down. Unscrew the drinking cup.



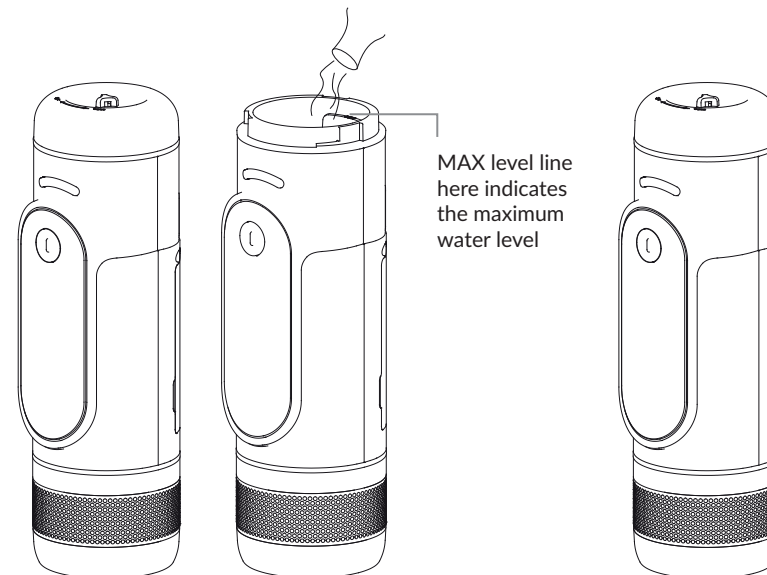
2. Unscrew the Capsule Cap and place the Capsule in the Capsule Insert.



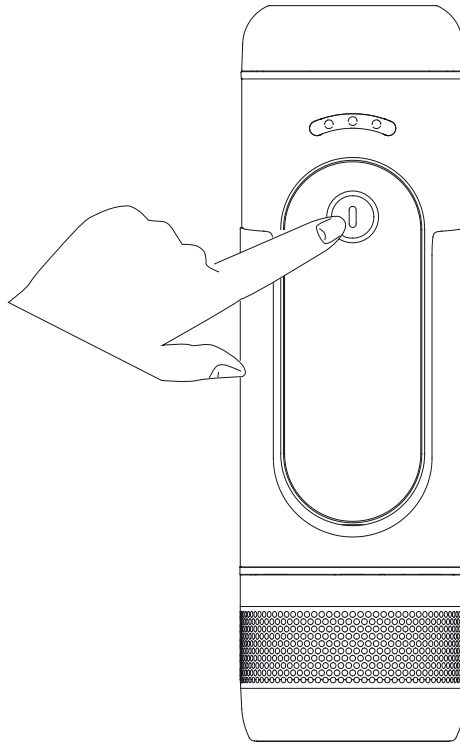
3. Install and screw on the Capsule Cap, install and screw on the Drinking Cup.



4. Turn Machine upright. Unscrew the air vent water lid, pour in the clean drinking water into the water cavity (the water level should not be over the maximum level line), and then install and screw on the air vent water lid.



- Hold the button for at least 2 seconds, and release it when one beeping sound is heard, the battery indicator light goes on and button indicator light shows white breathing light. Now the machine starts heating. After approximately 8-10 minutes, once the machine has heated your water to the suitable temperature, the water pump starts pumping. After pumping, the machine makes four beeping sounds. Then the button indicator light turns green. Now one cup of coffee is made. After unscrewing the drinking cup, you can enjoy your coffee.



#### Direct pumping of coffee

Repeat the steps 1-4. Then Hold the button for at least 5 seconds, and release the button after two beeping sounds are heard. The battery indicator light goes on and button indicator light shows white breathing light. Now the water pump starts pumping. After pumping, the machine makes four beeping sounds. The button indicator light turns green. Now one cup of coffee is made. After unscrewing the drinking cup, you can enjoy your coffee.

### IMPORTANT

Pressing the button can STOP the machine during any stage of making your coffee.

## Operation Instructions of Power Supply

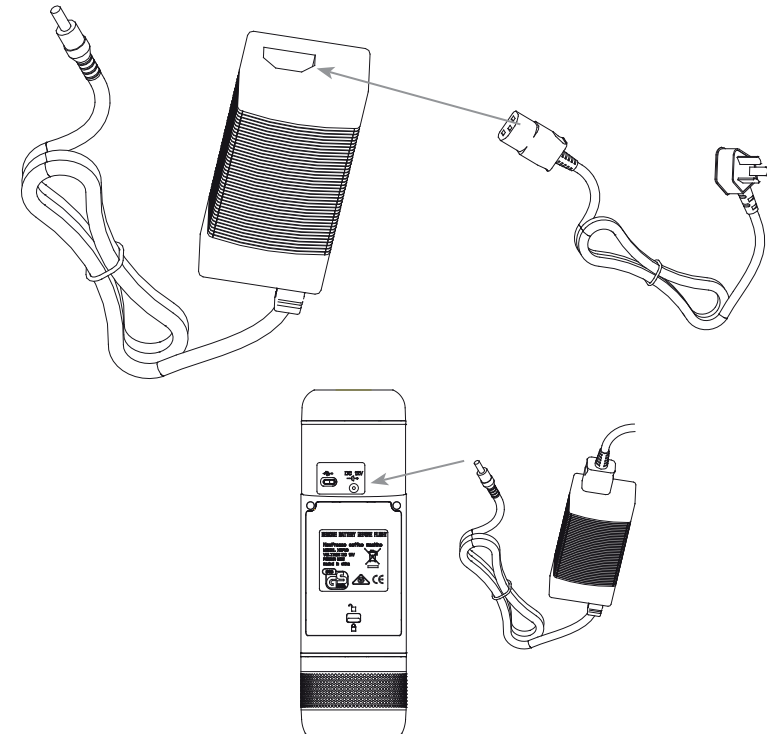
### Separate use of battery pack

The machine can use the battery pack separately for heating and direct pumping when the AC Adaptor or Car Charger is plugged in. When the battery is fully charged and installed in the machine, the machine can heat and make 3 cups of coffee. (see Page 10 for installation method of battery pack).

### Use of Adaptor

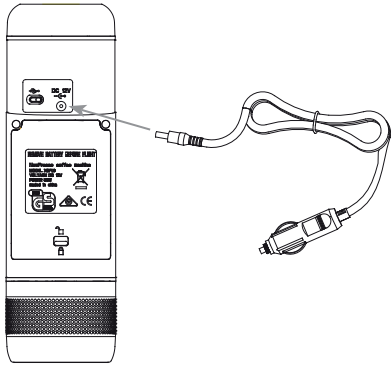
The machine can use the 12V DC power. To use the Adaptor, it is necessary to connect the Adaptor with the Adaptor Power Cable first.

There is a DC 12V port on the back of the machine. Insert the DC plug of Adaptor into this port, and then insert the power plug on the other side into the plug board. Now the machine can be electrified through the Adaptor. The Adaptor power supply can be used to charge the battery pack, or to heat and pump the coffee. This can also occur without the battery in the machine.



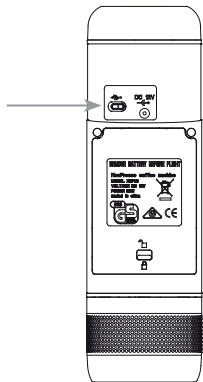
### Use of vehicle power supply (12V Car Charger)

Insert the DC plug of vehicle power cable into the DC port, and then insert the vehicle power plug on the other side into the vehicle port. Now the machine can be electrified by the vehicle power supply. The vehicle power supply can be used to charge the battery pack, or to heat and pump the coffee. This can also occur without the battery in the machine.



### Use of TYPE C port power supply

Insert the TYPE C plug into the TYPE C port, then insert the plug on the other side into the power supply. The TYPE C plug can only be used to charge the battery pack. Type C plug not included.



### Technical Specifications

Rated voltage	12V DC
Rated power	56W
Maximum water cavity capacity	50ml
Dimension	L82*W77*H252mm
Weight	About 0.88kg
Capacity of drinking cup	200ml
Effective length of power cable	1000mm

#### ⚠ Note:

Owing to product improvement, the product parameters may be changed without advance notice.

The performance cannot be guaranteed in the specific region (high land or extremely cold region).

## Cleaning and Maintenance

DO NOT PUT MAIN BODY OF MACHINE IN DISHWASHER, OR RINSE THE MACHINE WITH WATER (refer Pg 9 to view component details).

### OPTION 1: Wipe dry with cloth

After using NowPresso Portable Espresso Machine and once it has cooled down, use dry cloth to wipe away any residual coffee or water from Drinking Cup, Capsule Cap and Air Vent Water Lid.

### OPTION 2: Rinse with water

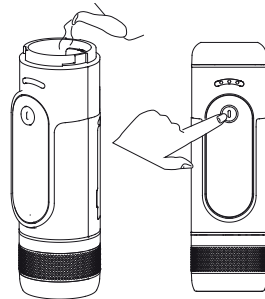
After using NowPresso Portable Espresso Machine and once it has cooled down, ONLY rinse with water: Drinking Cup, Capsule Cap and Air Vent Water Lid.

### OPTION 3: Dishwasher machine

ONLY put in dishwasher machine: Drinking Cup, Capsule Cap and Air Vent Water Lid, after the NowPresso Portable Espresso Machine has cooled down.

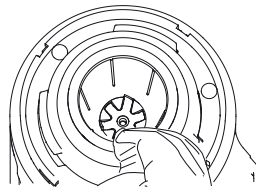
### NOTE:

After use, there may be a little amount of residual coffee left in the capsule insert. To wash off residual coffee, pour water into the water cavity without a capsule inserted, and Hold the button for at least 5 seconds; then the water pump can draw the clean water into the capsule insert and wash off the residual coffee. After the capsule insert is washed by the above method, wipe it dry with cloth or dry it in air. We recommend this procedure only when needed.



### ⚠ CAUTION!

During wiping, notice that your fingers must not touch the internal piercing knife because the knife is sharp and may result in injury.



#### STORAGE & DISPOSAL

Store the NowPresso Portable Espresso Machine in a dry location to protect it from dust and direct sunlight. The packaging is made of environmentally friendly materials which may be disposed of through your local recycling facilities. Contact your municipality for information on how to dispose of your worn out NowPresso Portable Espresso Machine.

## 12 MONTH WARRANTY

Please fill out the form using CAPITALS and black pen. Please use one box per character.

Serial number:                      (Find serial number: back of battery chamber)

Date of purchase:  /  /   DD / MM / YYYY

Country of purchase:

State of purchase:

First name:

Surname:

Address:

Zip/Postal Code:

Email:

Contact Number:

To ACTIVATE your 12 Month Warranty please complete the above form, cut it out, and send it to:  
NowPresso Limited Unit 1057, 10/F, Wharf T & T Centre, 7 Canton Road, Tsim Sha Tsui, Kowloon, Hong Kong



**OR REGISTER ONLINE**

TO ACTIVATE YOUR WARRANTY  
[www.nowpresso.com/warranty](http://www.nowpresso.com/warranty)

#### TERMS AND CONDITIONS:

Your NowPresso Portable Espresso Machine 12 month warranty becomes effective from the date of purchase. Please keep the original sales receipt in a safe location. This document is required as your proof of purchase.

The NowPresso Portable Espresso Machine has been manufactured to strict quality guidelines and meticulously examined before delivery. Should the NowPresso Portable Espresso Machine show any fault in materials, manufacturing or internal operations within 12 months from the date of purchase, we will repair or replace it - at our choice - free of charge to you.

This warranty becomes void if the NowPresso Portable Espresso Machine has been damaged, or misused or maintained improperly. This warranty does not cover product parts subject to normal wear, thus possibly considered consumables (e.g. batteries) or for damage to fragile parts, e.g. switches, rechargeable batteries or glass parts. This warranty does not cover damage resulting from commercial, professional, collective or industrial use.

We do not cover damage not caused by the NowPresso Portable Espresso Machine itself such as accidental damage, faults caused by negligent use or care, mistreatment, abuse, theft, lightning, flood, fire, careless operation or handling of the NowPresso Portable Espresso Machine which is not in accordance with this NowPresso Portable Espresso Machine Manual.

#### PRIVACY ACT:

NowPresso may use this information for future marketing and research purposes and may disclose it to third parties for the purposes of providing the services you have requested or to our business partners or professional advisers. If you wish to see our full privacy policy please visit: [www.nowpresso.com](http://www.nowpresso.com).

# NOWPRESSO

*experience coffee freedom*

## Portable Espresso Machine

Check us out!



[www.nowpresso.com](http://www.nowpresso.com)

    @nowpresso

**NowPresso Limited**

Unit 1057, 10/F, Wharf T & T Centre, 7 Canton Road, Tsim Sha Tsui, Kowloon, Hong Kong

Designed in Australia and China. Assembled in China. Nowpresso® is a trademark of Nowpresso Limited.  
All rights reserved © 2017 Patent Pending.

Disclaimer: Nespresso® is a registered trademark of Societe des Produits Nestle S.A. and is used here to refer to genuine Nespresso® capsules. Neither Societe des Produits Nestle S.A. or its affiliates manufacture or endorse this product in any way nor have any association with this product or the NowPresso brand.