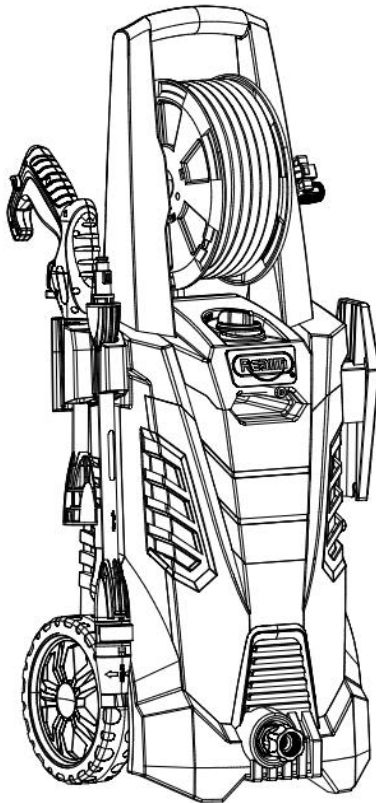




ELECTRIC PRESSURE WASHER

Model BY02-BCMR

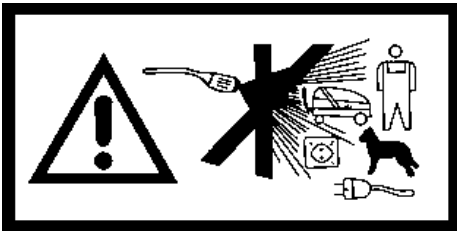


CAUTION : All Operators Must Read These Instructions Before Use.

IMPORTANT!

Safety Instructions

- The appliance has been designed solely for private use outdoors and not for commercial use. Keep this appliance away from heat, direct sunlight, moisture and rain, ice and sharp edges.
- Do not allow anybody that has not been trained to use a pressure washer to operate the machine without first reading the instruction manual.
- **WARNING!** High-pressure washers must not be used by children or untrained persons.
- Before starting your machine, carefully check for defects. If you find any, do not start your machine and contact your local distributor.
- In particular, ensure that the electric cable insulation is in perfect condition and free of cracks. If the electric cable is damaged, an approved local service center must replace it.
- **WARNING!** High pressure jets can be dangerous if they are used incorrectly. The jet must not be directed towards persons, electrical equipment connected to the mains or the appliance itself.



- **WARNING!** Do not use the appliance close to other people unless they are wearing protective clothing.
- **CAUTION!** Do not direct the jet towards yourself or other persons to clean clothing or shoes.
- Hold the lance firmly in your hands.

- The operator and persons within close proximity to the cleaning area must take necessary measures to protect themselves from dislodged debris when in use.
- Wear protective gloves and clothing during use.
- **WARNING!** The appliance has been designed for use with pressure washer detergent. Using other cleaning products or chemical products may affect the safety of the appliance.
- **WARNING!** Disconnect the appliance from the power supply before carrying out any maintenance.
- **CAUTION!** To ensure the safety of the appliance, only use spare parts supplied or approved by the manufacturer.
- Do not use the appliance if the power cable or important parts of the appliance are damaged, for example, the safety device, high pressure hose and handgun.
- Do not use the appliance with wet hands. If the appliance is damp or wet, unplug it immediately. Do not place it in water.
- The tyres and valves on the tyres can be damaged by the high pressure jet and could burst.
- Never use the machine in an environment where there is a danger of explosion.
- It is forbidden to clean surfaces containing asbestos at high pressure.
- This high-pressure washer must not be used in temperatures below 0 ° C.
- **CAUTION!** The hoses, accessories and high pressure couplings are important for the safety of the machine. Only use hoses, accessories and couplings recommended by the manufacturer.
- **WARNING!** Inadequate extension cables may be dangerous. Cables and spools must always be completely unwound to avoid letting the cable overheat.

- If an extension cable is used, the plug and socket must be waterproof and conform to the requirements below regarding the length and dimensions of the cable.
 - 1,0 mm² max. 12,5 m
 - 1,5mm²max.20 m
- If the power cable is damaged, it must be replaced by the manufacturer, their service agent or a qualified professional in order to avoid any danger.
- **WARNING!** This machine is not designed to be used by persons (including children) with reduced physical, sensory or mental capacities or whose lack experience or knowledge.
- **WARNING!** It is advisable that you supervise children to ensure that they do not play with the appliance.
- CAUTION – Risk of explosion – do not spray flammable liquids, do not direct the jet towards flammable liquids.
- **WARNING!** Water that has circulated in the anti-back flow system is not considered drinkable.
- **WARNING!** Do not use the appliance if the power cable or important parts of the appliance are damaged, for example, the safety devices, high pressure hoses and handgun.
- **WARNING!** If you have an extension cable, it must be waterproof.
- **WARNING!** When you switch on the machine, a recoil movement is produced due to the force of the water jet. Use two hands to control the lance. Wear safety gloves when using the appliance. Wear suitable protective clothing.
- In case of accidental contact with detergent, wash with water. If the liquid comes into contact with the eyes, also seek medical assistance (the detergent can cause irritations or burns).

- In the event that the appliance breaks down, do not attempt to repair it yourself but contact a professional technician to avoid any danger.

Main power connection

The following must be observed when connecting the high pressure washer to the power supply:

- Connecting the electrical connection should be done by a qualified electrician conforming to 60364-1 CEI.
- It is recommended that the electrical supply to this machine should comprise a residual current device which interrupts the current if the leakage current exceeds 30 ma for 30ms.

CONNECTING TO THE WATER NETWORK

WARNING



current guidelines, the unit operated without a system separator on the potable water system. Use a EN 12729 type BA system separator. Water that passes through a system separator is classified as non-potable.

WARNING! Always connect the system separator to the water supply and never

Know Your Electric

Read the operator's manual and safety instructions for the high pressure washer. Compare the illustration below with your unit to familiarize yourself with the location of the various

Product Description

Purpose

- This high-pressure electric power washer is intended for residential use to clean vehicles, machines, buildings, facades, etc.

Areas of application

- Never use the machine in potentially explosive areas under any circumstances!
- The operating temperature must be between 32°F (0°C) and 104°F (40°C).
- The machine consists of an assembly with a pump, which is encased in a shock-absorbing housing. To provide the operator with an optimal working position, the machine is equipped with a spray lance and a non-slip handle grip, whose shape and configuration comply with applicable regulations.
- Do not cover or modify the spray lance or the spray nozzles in any way.
- The high-pressure electric power washer is designed to be used with cold water; higher temperatures can damage the pump.
- Do not use water that is dirty, gritty, or contains any chemical products, as these could impair operation and shorten the life of the machine.

Unpacking

Carton Contents

- Pressure washer
- High pressure hose
- Handle
- Trigger gun
- Spray lance
- Nozzle

- Detergent bottle
- Power cord
- Trigger gun holder
- Hose holder
- Needle
- Two small screws
- Wrench
- Manual

1. Carefully remove the pressure washer and check to see that all of the above items are supplied.
2. Inspect the product carefully to make sure no breakage or damage occurred during shipping. If you find damaged or missing parts, DO NOT return the unit to the store. Please call the Realm® customer service center (1-888-899-1688).

NOTE! Do not discard the shipping carton and packaging material until you are ready to use your new electric pressure washer. The packaging is made of recyclable materials. Properly dispose of these materials in accordance with local regulations.

IMPORTANT!

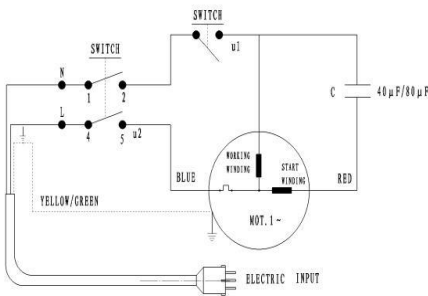
The equipment and packaging material are not toys. Do not let children play with plastic bags, foils, or small parts. These items can be swallowed and pose a suffocation risk!

WARNING! Do not connect to power supply until assembly is complete. Failure to comply could result in accidental starting and possible serious personal injury.

Technical data

Motor	Carbon brush
Max. pressure	2450PSI
Max flow	1.75GPM
Current	14.5A
Voltage	120V~/60Hz
Vibration gun	Max 1.90 m/s ²
Max. Water Inlet Temperature	104°F/40°C

The Circuitry



SAFETY DEVICES

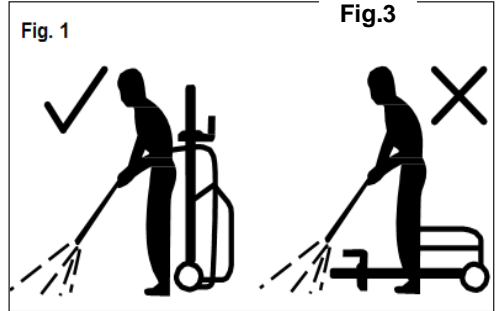
The unloader valve can reduce pressure if it exceeds pre-set values. Locking device on trigger gun (see illustration at the beginning of this manual)! The trigger gun features a locking device. When the knob is activated, the trigger gun cannot be operated.

THERMAL SENSOR

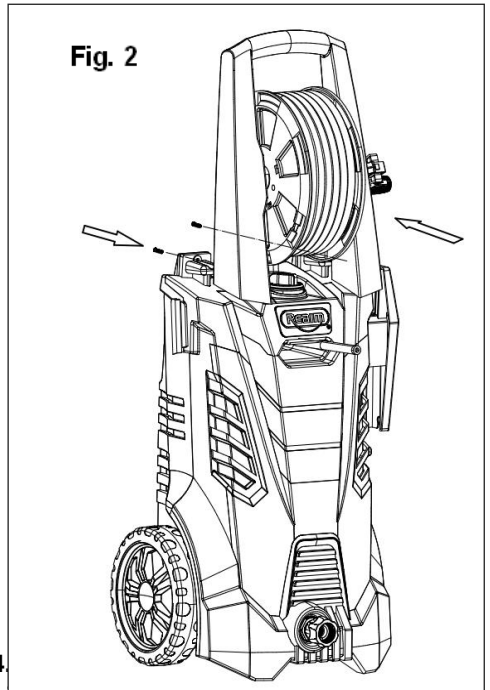
A thermal sensor protects the motor against overloading. The machine will restart after a few minutes when the thermal sensor has cooled.

Assembly

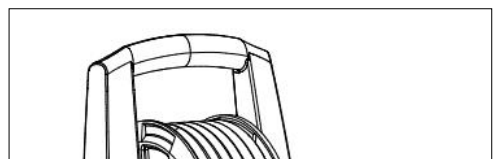
1. Position the washer as CLOSE as possible to the water supply.
2. The washer must be used on a secure and stable surface in a standing, upright position (Fig. 1).



3. Screw the transaction handle to the electric pressure washer unit (Fig. 2).



4. trigger gun holder (Fig. 4) into its position.



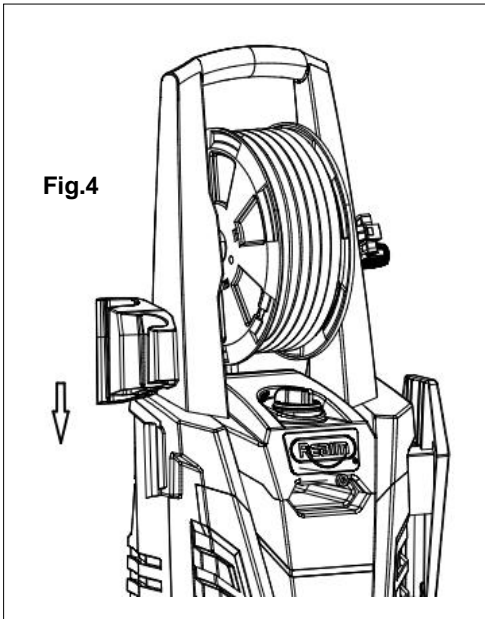


Fig.4

5. Screw the spray lance into the trigger gun and rotate it until the two parts are completely locked. (Fig. 5)

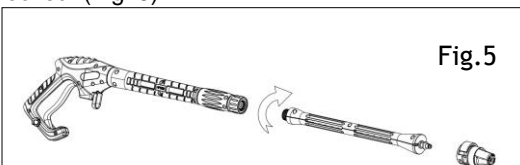


Fig.5

6. Connect the high-pressure hose to the trigger gun and the water outlet (Fig. 6).

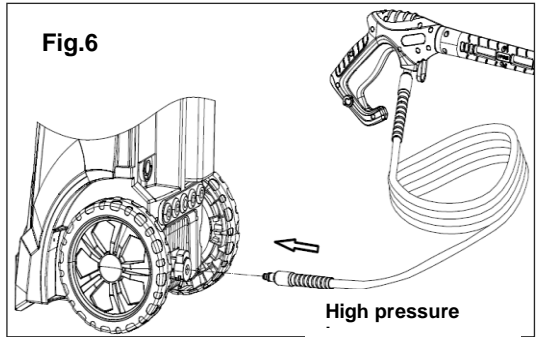
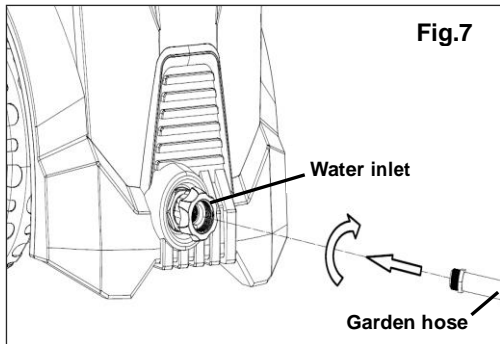


Fig.6

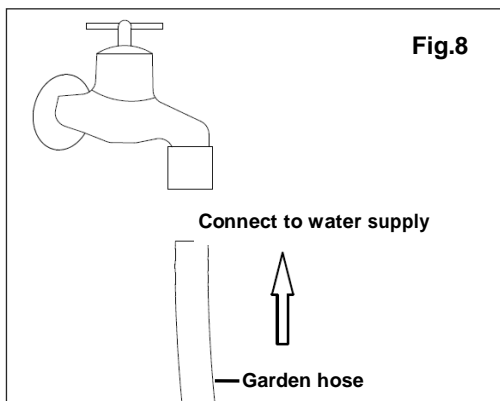
WARNING! Keep hose away from sharp objects. Bursting hoses may cause injury. Examine hoses regularly and replace if damaged. Do not attempt to mend a damaged hose.

7. Connect the garden hose adapter (female coupler) to the water inlet of the pressure washer, then thread your garden hose (male end) into the garden hose adaptor (Fig. 7). The water supply must be at least equal to the washer delivery capacity.

NOTE: The machine is not suitable for connection to a potable water main.



8. Attach garden hose to water supply (Fig. 8).



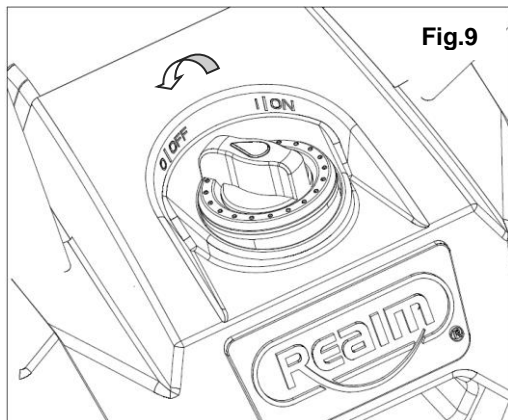
WARNING! The intake water temperature must not exceed 104°F/40°C.

CAUTION! The washer must only be used with clean water; use of unfiltered water containing corrosive chemicals will damage the washer.

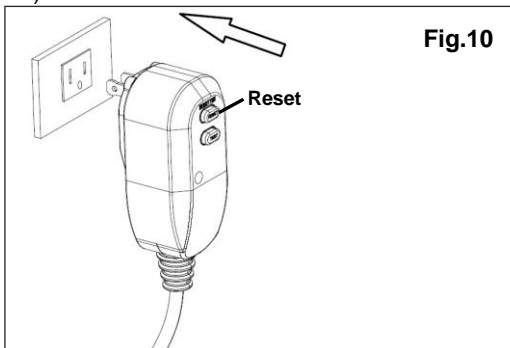
Let the water run through the water hose before connecting it to the machine to prevent sand and dirt from penetrating the machine.

NOTE: Check that the filter is fitted in the garden hose adaptor and that it is not clogged up.

8. Make sure the motor switch is pushed to the OFF position before plugging the unit into the power outlet(Fig.9).



9. Check that the electrical supply voltage and frequency (Volt/Hz) correspond to those specified on the pressurewasher rating plate. If the power supply is correct, you may now plug the pressure washer into the power outlet (Fig. 10).



NOTE: The GFCI may need to be reset when first plugged into the electric outlet. Press the "Reset" button until the power light indicator on the GFCI illuminates.

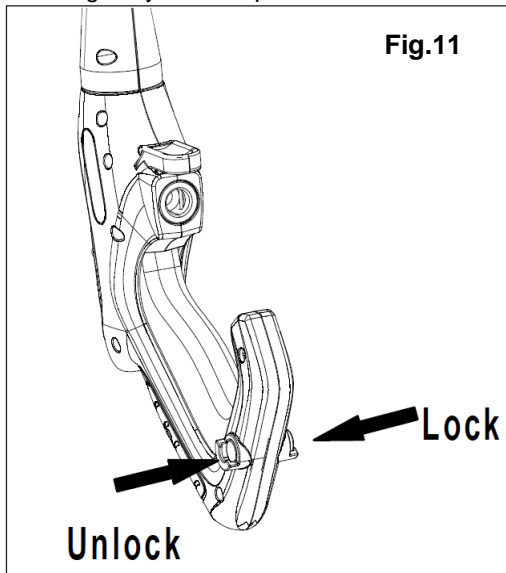
Operation

IMPORTANT! This pressure washer is equipped with a micro-switch sensitive to

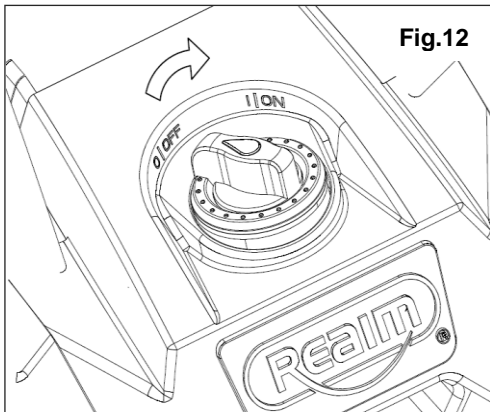
water flow. This Total Stop System (TSS) senses water flow in the pump. When the trigger is released, water stops flowing through the pump. The TSS then automatically turns the motor off to protect the pump from overheating, thus saving energy and prolonging pump life.

CAUTION! The trigger gun and lance is affected by a thrust during operation, therefore always hold it firmly with both hands. Point the spray gun at the ground. Check that the machine is in upright position. Do not place the machine in high grass!

1. Turn the water supply tap on completely.
2. Release the trigger lock.(Fig.11) .Press the trigger for a few seconds until water flow is steady. This will allow air to escape and discharge any residual pressure in the hose.



3. Turn the switch to the ON position to start the pressure washer (Fig. 12).



Using the nozzles

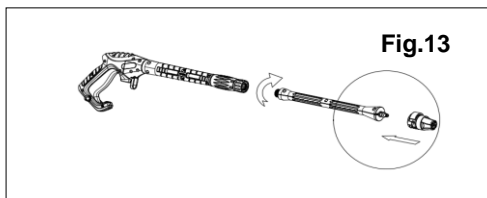
Before beginning any cleaning task, determine the best nozzle for the job. Each of the nozzles has a different spray pattern.

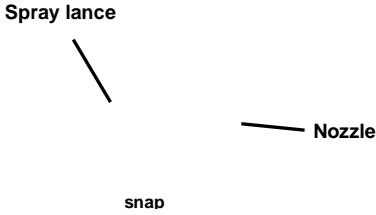
CAUTION! NEVER change nozzles without locking the safety lock on the trigger handle.

WARNING! High-pressure jets can be dangerous if subject to misuse. The jet must not be directed at persons, pets, live electrical equipment, or the appliance itself.

To connect a nozzle to the spray lance:

1. Turn off the pressure washer and shut off the water supply. Pull the trigger to release water pressure.
2. Engage the safety lock on the trigger handle by pushing right on the safety lock(Fig.11).
3. Snap the desired nozzle into the spray lance tight (Fig. 13).





To disconnect a nozzle from the spray lance once the cleaning job is complete:

4. Turn off the pressure washer and shut off the water supply. Pull the trigger to release water pressure.
5. Engage the safety lock on the trigger handle by pushing right on the safety lock(Fig.11).
6. Remove the nozzle from the spray lance.

WARNING! Do not make changes to the nozzle while the trigger is engaged. Doing so could result in damage to the pressure washer or injury to the user.

Working with Patio Cleaner and Brush(optional)

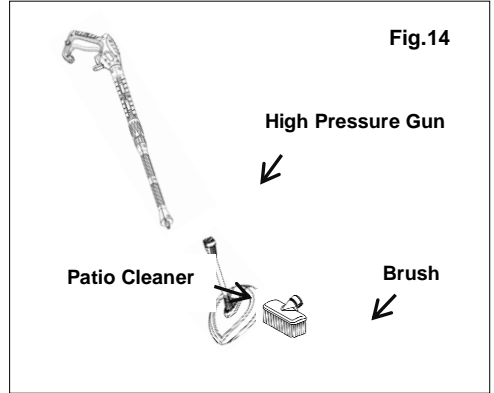
The patio cleaner and brush is a powerful accessory for cleaning patio, driveways, car, etc.

A quick-connect adaptor is required when working with patio cleaner and brush.

To connect a patio cleaner to the spray lance:

1. Turn off the pressure washer and shut off the water supply. Pull the trigger to release water pressure.

2. Engage the safety lock on the trigger handle by pushing right on the safety lock(Fig.11).
3. Remove the nozzle from the spray lance.
4. Snap the quick-connect adaptor into the spray lance tight, then connect the patio cleaner or brush to the another end of adaptor tight. (Fig.14)



To disconnect the patio cleaner or brush from the spray lance once the cleaning job is complete:

5. Turn off the pressure washer and shut off the water supply. Pull the trigger to release water pressure.
6. Engage the safety lock on the trigger handle by pushing right on the safety lock(Fig.11).
7. Remove the patio cleaner or brush from the spray lance.

NOTE: Do not use the patio cleaner and brush as a broom but let it surf smoothly over the surface.

Rinsing with the pressure washer

1. Turn off the pressure washer and shut off the water supply.
2. Pull the trigger to release water pressure.
3. Engage the safety lock on the trigger

handle by pushing right on the safety lock(Fig.11)

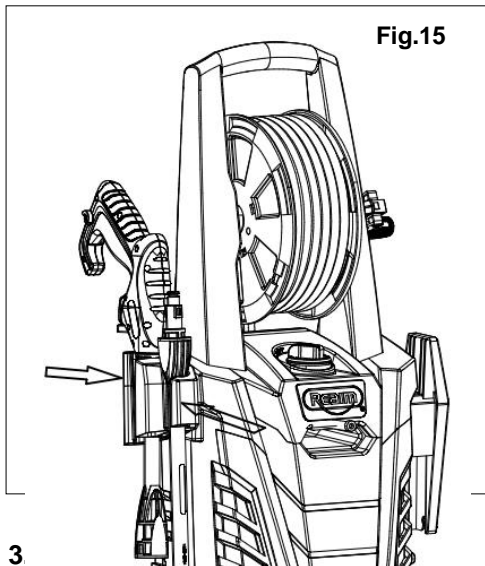
4. Remove the nozzle from the spray lance and storage them on the washer unit .
5. Start at the top of the area to be rinsed and work down, making sure to overlap the strokes.

IMPORTANT! NEVER USE:

- Bleach, chlorine products, and other corrosive chemicals
- Liquids containing solvents (e.g. paint thinners, gasoline, oils)
- Tri-sodium phosphate products
- Ammonia products
- Acid-based products

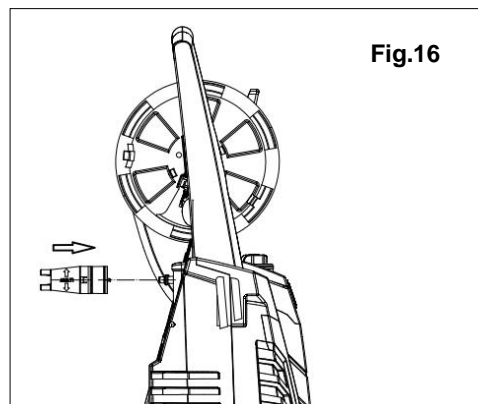
These chemicals will harm the unit and will damage the cleaning surface.

1. Storage the trigger gun and spray lance on the holders(Fig.15).
2. Hang the power cord and high pressure hose .



Shutting down

1. Turn the switch to the OFF position and unplug the power cord from the outlet.
2. Turn off the water source.
3. Hold the trigger to release water pressure.
4. Disconnect the garden hose from the water inlet on the unit.
5. Disconnect the high pressure hose connection on the trigger gun handle.
6. Release the trigger and engage the gun safety lock.



WARNING! Turn off the water supply and squeeze the trigger to depressurize the unit. Failure to do so could result in personal injury due to discharge of high-pressure water.

Storage

CAUTION! Always store your pressure washer in a location where the temperature will not fall below 32°F (0°C). The pump in this machine is susceptible to permanent damage if it freezes. **FREEZE DAMAGE IS NOT COVERED BY THE WARRANTY.**

- Store the pressure washer indoors in a dry, covered area where it is not subject to adverse weather conditions.
- It is important to store this product in a frost-free area.
- Always empty water from all hoses, the pump, and the detergent bottle before storing.

Winterizing and long-term storage

- If you must store your pressure washer in a location where the temperature falls below 32°F (0°C), you can minimize the chance of damage to your machine by utilizing the following procedure:
- Disconnect all water connections.
- Turn on the machine for a few seconds until the remaining water in the pump exits. Turn off immediately.
- Do not allow the high-pressure hose to become kinked.
- Store the machine and accessories in a room that does not reach freezing temperatures.
- Do not store near a furnace or other sources of heat that may dry out the pump seals.
- Operate the pressure washer with non-corrosive/non-toxic anti-freeze, a pump saver, or a pump protector before storing for the winter.

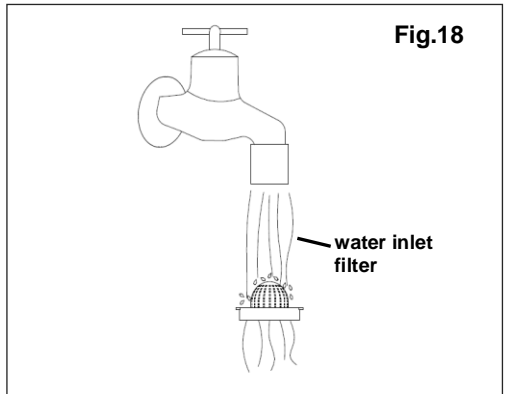
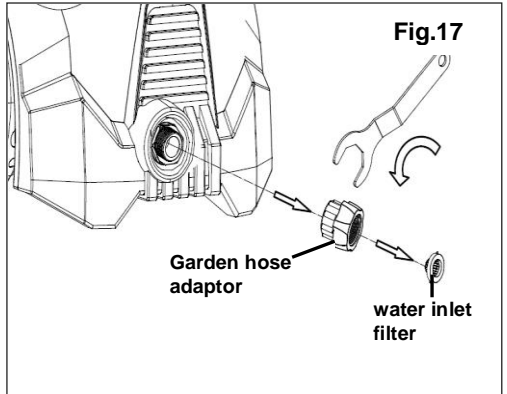
WARNING! Before reusing, completely flush the unit out with clear water. Anti-freeze products can damage paintwork, so you must ensure there is no anti-freeze left in the system before using it again.

Maintenance

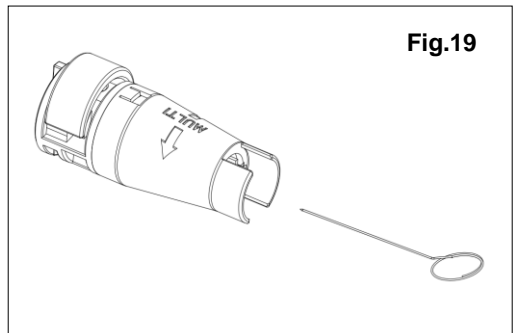
CAUTION! Before working on the pressure washer, disconnect the plug from the power supply socket.

1. To ensure good performance, check and clean the water inlet filter (Fig. 17).

Remove the filter and rinse with water to prevent any foreign matter from clogging the pump (Fig. 18).



2. Clean the nozzle with the needle clean out tool provided (Fig. 19). Remove the spray lance from the gun; remove any dirt from the nozzle hole and rinse.



3. Remove additional debris by back flushing water through the nozzle and spray lance. To do this, place the end of your garden hose (with water running) to the tip of the nozzle, pushing water and debris out of the back opening of the nozzle and spray lance.
4. Keep the machine clean and let cooling air pass freely through the machine vents.
5. To ensure an easy connection and that o-rings do not dry up; the couplings should be greased regularly.

Environmental protection

Old appliances contain valuable materials that can be recycled. Please arrange for the proper recycling of old appliances. Please dispose your old appliances using appropriate collection systems.

Troubleshooting

Problems	Possible Cause	Possible Solution
Machine refuses to start	The machine is not plugged-in	Plug the machine in
	Faulty receptacle	Try another receptacle
	The fuse has blown	Replace the fuse Unplug other appliances
	Faulty extension cable	Try without the extension cable
Fluctuating pressure	The pump is drawing in air	Check that hoses and connections are airtight.
	Valves dirty, worn or sticking	Contact your service center
	The water supply is not sufficient	Increase water pressure, check for blockages and / or change the large pipe.
	Pump seals worn	Contact your nearest service center
Machine stops	The fuse has blown	Replace the fuse
	Incorrect mains voltage	Unplug other appliances Check that the mains voltage corresponds to the specifications on the nameplate
	Thermal sensor activated	Leave the machine to cool for 5 mins
	Partially blocked jet	Clean the jet with a needle and by spraying water rearwardly through the jet
Fuse blows	Fuse too small	Replace it with a fuse with higher amp consumption than the washer.
	Increase in the amperage	Try without the extension cable
Machine pulsating	Air in inlet hose / pump	Allow machine to run with open trigger until regular working pressure resumes.
	Inadequate supply of water generated	Increase water pressure, check for blockages and / or change the large pipe.
	Partially blocked jet	Clean the jet with a needle and by spraying water rearwardly through the jet.
	Water filter blocked	Clean the filter
	Folded pipe	Unfold the pipe
Machine turns on and off by itself	Pump fuse and/or trigger out of order	Contact your nearest service center
	No water supply	Connect the inflow water.
Machine is on but no water comes out	Water filter blocked	Clean the filter
	Blocked jet	Clean the jet with a needle and by spraying water rearwardly through the jet



Limited 2 year warranty

Electronic Equipment

Electric pressure washer

This Realm® product is warranted by Realm Import And Export (USA) INC. to the original purchaser for two years against defects in workmanship and materials when used for normal residential purposes. The defective product will be replaced or repaired at no charge in either of two ways, and subject to the conditions, limitations, and exclusions noted below.

Limitations

- Electric motors and pumps carry a one (1) year warranty.
- Frames, handles and other structural components carry a one (1) year warranty.
- Electrical components, switches, etc. will be warranted for one (1) year warranty.
- Standard accessories and attachments are warranted for a ninety (90) day period.
- Any commercial, industrial or rental use of this equipment will reduce the warranty to thirty (30) days.

The warranty period is calculated from the date of original purchase.

Exclusions

- Damages caused by misuse, neglect, accident, abuse, improper handling, freezing, normal wear and tear or non-compliance with operator's manual.
- Damage caused by water sediment, contaminated water supply or use of chemicals and detergents improperly.
- Damage caused by acts of nature such as floods, fires, earthquakes, lightning strikes, etc.
- Devices or accessories not distributed or approved by Realm are not covered by this warranty.

This warranty is non-transferable and applies only to products purchases through a Realm® authorized reseller. This warranty gives you specific legal rights in the United States. You may have other rights, which vary by country and state/province.

If you wish to contact Realm, please direct inquiries to the Realm USA Office:

100 wearguard drive, suite.8, Hanover, MA 02339,United States
Service Hotline: 1-888-899-1688
Email: info@realmimportexport.com



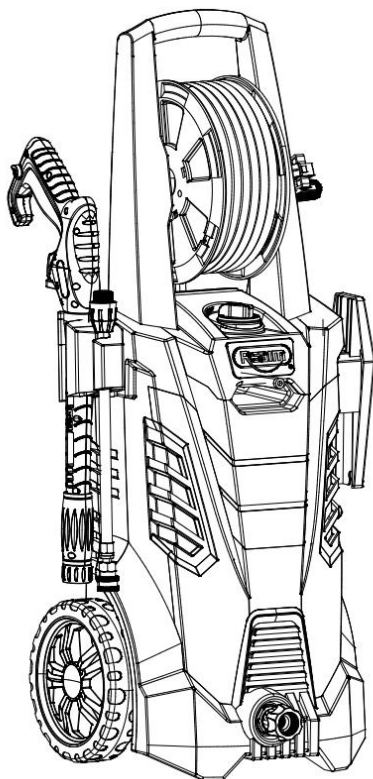
The symbol on the product or on its packing indicates that this product may not be treated as household waste. Instead it shall be handed over. To the applicable collection point for the recycling of electrical and electronic equipment. By ensuring this product is disposed of correctly, you will help prevent potential negative consequences for the environment and human health, which could otherwise be caused by inappropriate waste handling of this product. For more detailed information about recycling of this product, please contact your local city office, your household waste disposal service or the shop where you purchased the product

100 wearguard drive, suite.8, hanover, MA 02339,United States
Service Hotline: 1-888-899-1688
Email: info@realmimportexport.com



ELECTRIC PRESSURE WASHER

Model BY02-BCMR (Deluxe Edition)

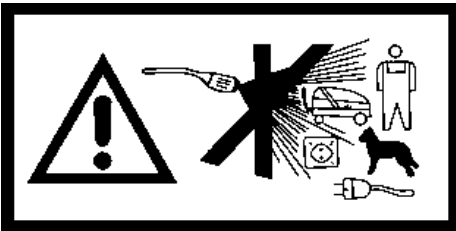


CAUTION : All Operators Must Read These Instructions Before Use.

IMPORTANT!

Safety Instructions

- The appliance has been designed solely for private use outdoors and not for commercial use. Keep this appliance away from heat, direct sunlight, moisture and rain, ice and sharp edges.
- Do not allow anybody that has not been trained to use a pressure washer to operate the machine without first reading the instruction manual.
- **WARNING!** High-pressure washers must not be used by children or untrained persons.
- Before starting your machine, carefully check for defects. If you find any, do not start your machine and contact your local distributor.
- In particular, ensure that the electric cable insulation is in perfect condition and free of cracks. If the electric cable is damaged, an approved local service center must replace it.
- **WARNING!** High pressure jets can be dangerous if they are used incorrectly. The jet must not be directed towards persons, electrical equipment connected to the mains or the appliance itself.



- **WARNING!** Do not use the appliance close to other people unless they are wearing protective clothing.
- **CAUTION!** Do not direct the jet towards yourself or other persons to clean clothing or shoes.
- Hold the lance firmly in your hands.

- The operator and persons within close proximity to the cleaning area must take necessary measures to protect themselves from dislodged debris when in use.
- Wear protective gloves and clothing during use.
- **WARNING!** The appliance has been designed for use with pressure washer detergent. Using other cleaning products or chemical products may affect the safety of the appliance.
- **WARNING!** Disconnect the appliance from the power supply before carrying out any maintenance.
- **CAUTION!** To ensure the safety of the appliance, only use spare parts supplied or approved by the manufacturer.
- Do not use the appliance if the power cable or important parts of the appliance are damaged, for example, the safety device, high pressure hose and handgun.
- Do not use the appliance with wet hands. If the appliance is damp or wet, unplug it immediately. Do not place it in water.
- The tyres and valves on the tyres can be damaged by the high pressure jet and could burst.
- Never use the machine in an environment where there is a danger of explosion.
- It is forbidden to clean surfaces containing asbestos at high pressure.
- This high-pressure washer must not be used in temperatures below 0 ° C.
- **CAUTION!** The hoses, accessories and high pressure couplings are important for the safety of the machine. Only use hoses, accessories and couplings recommended by the manufacturer.
- **WARNING!** Inadequate extension cables may be dangerous. Cables and spools must always be completely unwound to avoid letting the cable overheat.

- If an extension cable is used, the plug and socket must be waterproof and conform to the requirements below regarding the length and dimensions of the cable.
 - 1,0 mm² max. 12,5 m
 - 1,5mm²max.20 m
- If the power cable is damaged, it must be replaced by the manufacturer, their service agent or a qualified professional in order to avoid any danger.
- **WARNING!** This machine is not designed to be used by persons (including children) with reduced physical, sensory or mental capacities or whose lack experience or knowledge.
- **WARNING!** It is advisable that you supervise children to ensure that they do not play with the appliance.
- CAUTION – Risk of explosion – do not spray flammable liquids, do not direct the jet towards flammable liquids.
- **WARNING!** Water that has circulated in the anti-back flow system is not considered drinkable.
- **WARNING!** Do not use the appliance if the power cable or important parts of the appliance are damaged, for example, the safety devices, high pressure hoses and handgun.
- **WARNING!** If you have an extension cable, it must be waterproof.
- **WARNING!** When you switch on the machine, a recoil movement is produced due to the force of the water jet. Use two hands to control the lance. Wear safety gloves when using the appliance. Wear suitable protective clothing.
- In case of accidental contact with detergent, wash with water. If the liquid comes into contact with the eyes, also seek medical assistance (the detergent can cause irritations or burns).
- In the event that the appliance breaks down, do not attempt to repair it yourself but contact a professional technician to avoid any danger.

Main power connection

The following must be observed when connecting the high pressure washer to the power supply:

- Connecting the electrical connection should be done by a qualified electrician conforming to 60364-1 CEI.
- It is recommended that the electrical supply to this machine should comprise a residual current device which interrupts the current if the leakage current exceeds 30 ma for 30ms.

CONNECTING TO THE WATER NETWORK WARNING

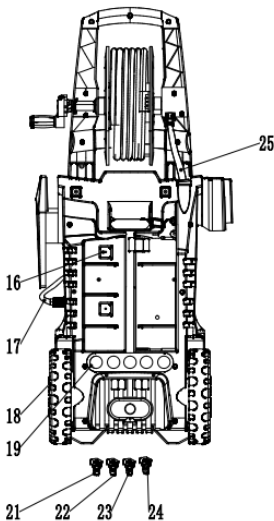
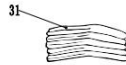
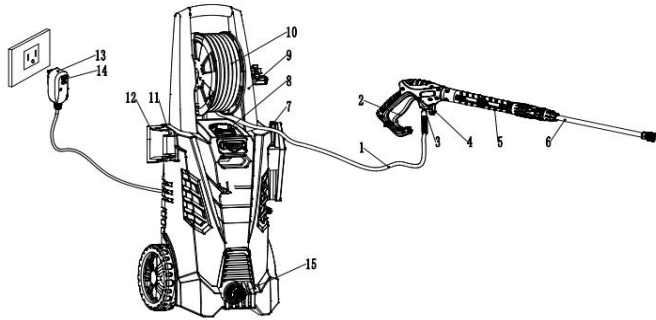


current guidelines, the unit operated without a system separator on the potable water system. Use a EN 12729 type BA system separator. Water that passes through a system separator is classified as non-potable.

WARNING! Always connect the system separator to the water supply and never directly to the device!

Know Your Electric Pressure Washer

Read the operator's manual and safety instructions carefully before operating the electric pressure washer. Compare the illustration below to the electric pressure washer in order to familiarize yourself with the location of the various controls and adjustments. Save this manual for future reference.



- | | |
|--|---|
| 1. High pressure hose | 16. Fittings storage |
| 2. Trigger(with safety lock) | 17. Power cord |
| 3. High pressure hose connection | 18. Wheel |
| 4. Button(for high pressure hose connection) | 19. Onboard storage for Quick-Connect nozzles |
| 5. Trigger gun | 20. Detergent bottle |
| 6. Extension spray lance | 21.0°Quick-Connect nozzle (red) |
| 7. Power cord holder | 22.15°Quick-Connect nozzle (yellow) |
| 8. On/Off switch | 23.25°Quick-Connect nozzle (green) |
| 9. Transportation handle | 24.40°Quick-Connect nozzle (white) |
| 10. Hose Reel | 25. Short High Pressure Hose Connecting Pipe |
| 11. Extension spray lance holder | 26.Needle clean out tool |
| 12. Trigger gun holder | 27.Wrench |
| 13. Plug | 28.Adapter (for accessories connection) |
| 14. Reset button | 29.Brush |
| 15. Water inlet (garden hose connection) | 30.Patio cleaner |
| | 31.Towel |

Product Description

Purpose

- This high-pressure electric power washer is intended for residential use to clean vehicles, machines, buildings, facades, etc.

Areas of application

- Never use the machine in potentially explosive areas under any circumstances!
- The operating temperature must be between 32°F (0°C) and 104°F (40°C).
- The machine consists of an assembly with a pump, which is encased in a shock-absorbing housing. To provide the operator with an optimal working position, the machine is equipped with a spray lance and a non-slip handle grip, whose shape and configuration comply with applicable regulations.
- Do not cover or modify the spray lance or the spray nozzles in any way.
- The high-pressure electric power washer is designed to be used with cold water; higher temperatures can damage the pump.
- Do not use water that is dirty, gritty, or contains any chemical products, as these could impair operation and shorten the life of the machine.

Unpacking

Carton Contents

- Pressure washer unit
- High pressure hose
- Handle
- Trigger gun
- Spray lance
- Four Quick-Connect nozzles (0°, 15°, 25°, 40°)

- Detergent bottle
- Power cord
- Trigger gun holder
- Hose holder
- Needle clean out tool
- Two small screws
- Wrench
- HPG 16 Gun adapter
- Patio Cleaner
- Brush
- Cleaning Towel

1. Carefully remove the pressure washer and check to see that all of the above items are supplied.
2. Inspect the product carefully to make sure no breakage or damage occurred during shipping. If you find damaged or missing parts, DO NOT return the unit to the store. Please call the Realm® customer service center (1-888-899-1688).

NOTE! Do not discard the shipping carton and packaging material until you are ready to use your new electric pressure washer. The packaging is made of recyclable materials. Properly dispose of these materials in accordance with local regulations.

IMPORTANT!

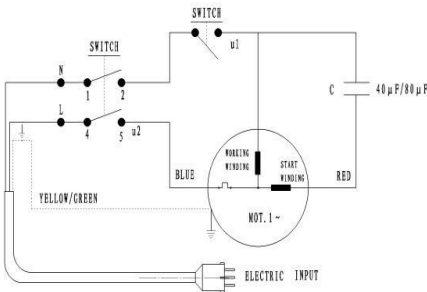
The equipment and packaging material are not toys. Do not let children play with plastic bags, foils, or small parts. These items can be swallowed and pose a suffocation risk!

WARNING! Do not connect to power supply until assembly is complete. Failure to comply could result in accidental starting and possible serious personal injury.

Technical data

Motor	Universal
Max. pressure	2450PSI
Max flow	1.75GPM
Current	14.5A
Voltage	120V~/60Hz
Vibration gun	Max 1.90 m/s ²
Max. Water Inlet Temperature	104°F/40°C

The Circuitry



SAFETY DEVICES

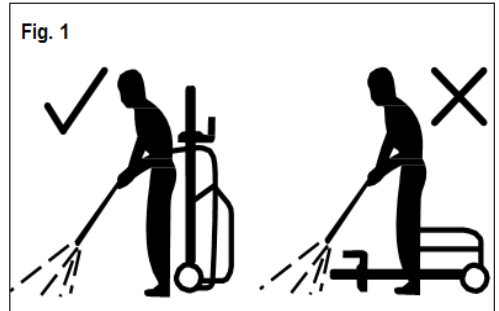
The unloader valve can reduce pressure if it exceeds pre-set values.

Locking device on trigger gun (see illustration at the beginning of this manual)! The trigger gun features a locking device. When the knob is activated, the trigger gun cannot be operated.

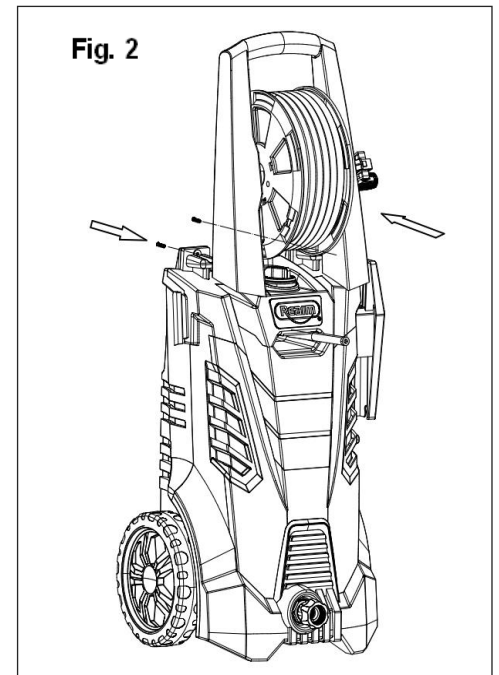
THERMAL SENSOR

A thermal sensor protects the motor against overloading. The machine will restart after a few minutes when the thermal sensor has cooled.

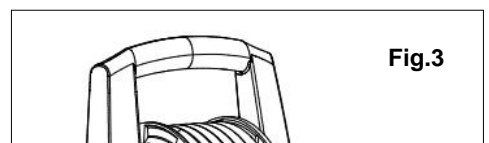
1. Position the washer as CLOSE as possible to the water supply.
2. The washer must be used on a secure and stable surface in a standing, upright position (Fig. 1).



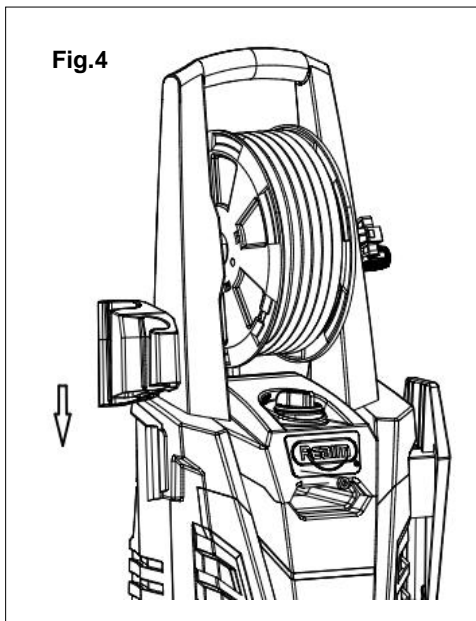
3. Screw the transaction handle to the electric pressure washer unit (Fig. 2).



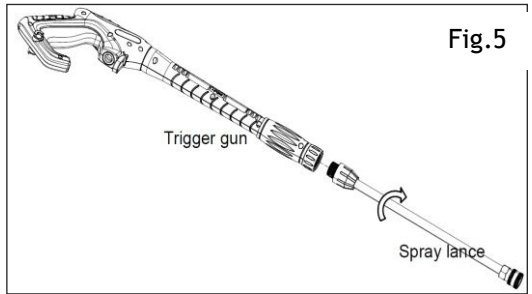
4. Insert the power cord holder (Fig. 3) and trigger gun holder (Fig. 4) into its position.



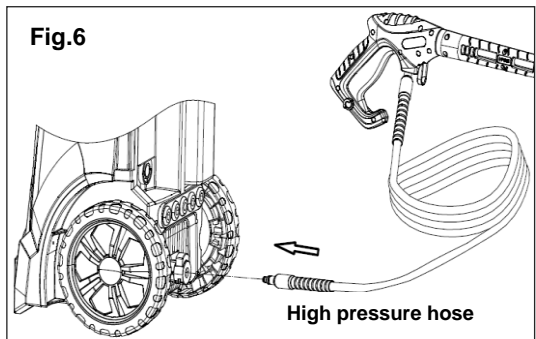
Assembly



5. Screw the spray lance into the trigger gun and rotate it until the two parts are completely locked. (Fig. 5)



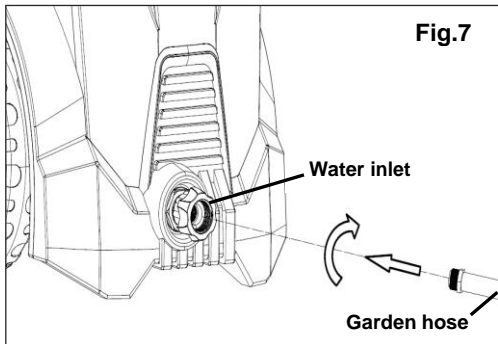
6. Connect the high-pressure hose to the trigger gun and the water outlet (Fig. 6).



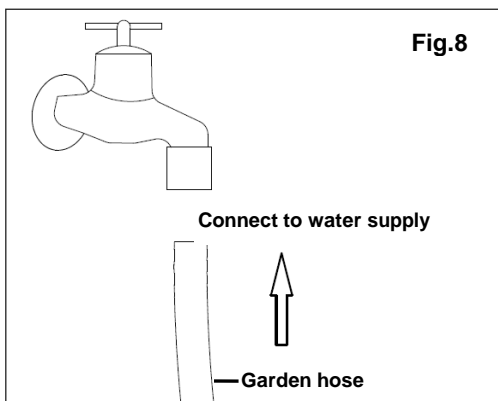
WARNING! Keep hose away from sharp objects. Bursting hoses may cause injury. Examine hoses regularly and replace if damaged. Do not attempt to mend a damaged hose.

7. Connect the garden hose adapter (female coupler) to the water inlet of the pressure washer, then thread your garden hose (male end) into the garden hose adaptor (Fig. 7). The water supply must be at least equal to the washer delivery capacity.

NOTE: The machine is not suitable for connection to a potable water main.



8. Attach garden hose to water supply (Fig. 8).



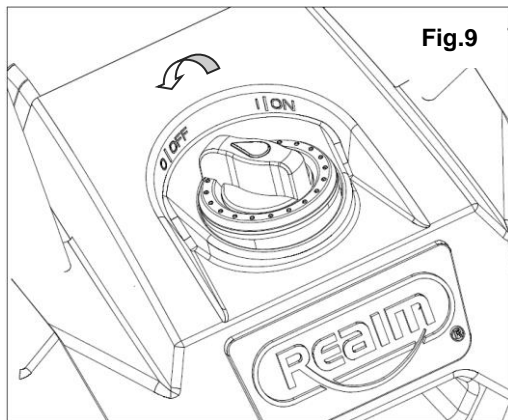
WARNING! The intake water temperature must not exceed 104°F/40°C.

CAUTION! The washer must only be used with clean water; use of unfiltered water containing corrosive chemicals will damage the washer.

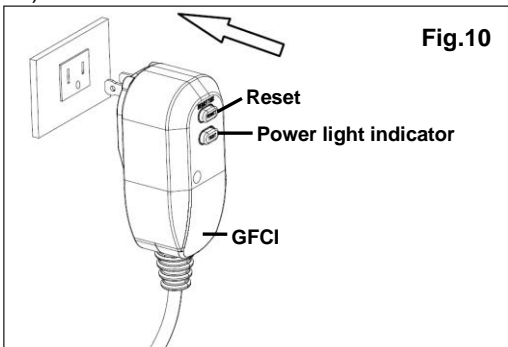
Let the water run through the water hose before connecting it to the machine to prevent sand and dirt from penetrating the machine.

NOTE: Check that the filter is fitted in the garden hose adaptor and that it is not clogged up.

9. Make sure the motor switch is pushed to the OFF position before plugging the unit into the power outlet(Fig.9).



10. Check that the electrical supply voltage and frequency (Volt/Hz) correspond to those specified on the pressure washer rating plate. If the power supply is correct, you may now plug the pressure washer into the power outlet (Fig. 10).



NOTE: The GFCI may need to be reset when first plugged into the electric outlet. Press the "Reset" button until the power light indicator on the GFCI illuminates.

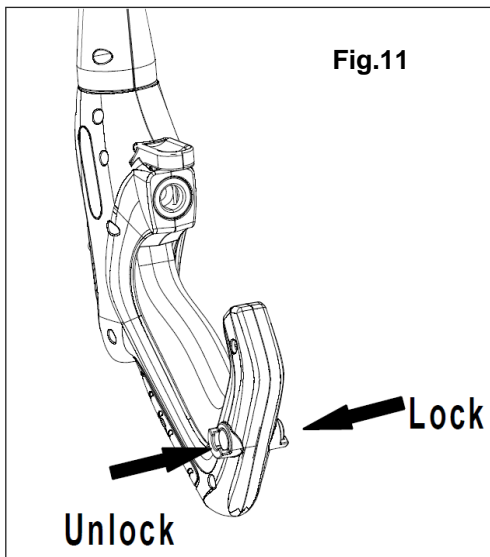
Operation

IMPORTANT! This pressure washer is equipped with a micro-switch sensitive to

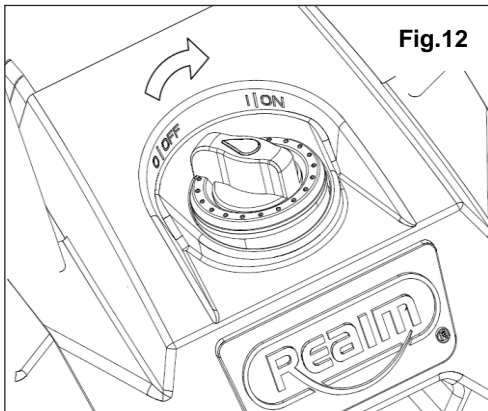
water flow. This Total Stop System (TSS) senses water flow in the pump. When the trigger is released, water stops flowing through the pump. The TSS then automatically turns the motor off to protect the pump from overheating, thus saving energy and prolonging pump life.

CAUTION! The trigger gun and lance is affected by a thrust during operation, therefore always hold it firmly with both hands. Point the spray gun at the ground. Check that the machine is in upright position. Do not place the machine in high grass!

1. Turn the water supply tap on completely.
2. Release the trigger lock.(Fig.11) .Press the trigger for a few seconds until water flow is steady. This will allow air to escape and discharge any residual pressure in the hose.



3. Turn the switch to the ON position to start the pressure washer (Fig. 12).



Using the nozzles

Before beginning any cleaning task, determine the best nozzle for the job. Each of the nozzles has a different spray pattern.

The nozzle patterns are 40° (for gentle cleaning), 25° (for all-purpose cleaning), 15° (for tough jobs), 0° (for spot cleaning or hard-to-reach areas).

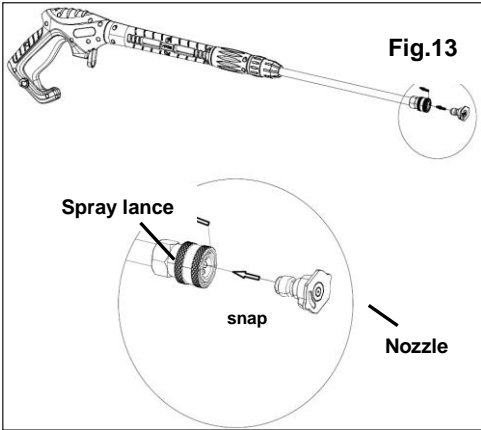
CAUTION! NEVER change nozzles without locking the safety lock on the trigger handle.

WARNING! High-pressure jets can be dangerous if subject to misuse. The jet must not be directed at persons, pets, live electrical equipment, or the appliance itself.

This electric pressure washer is equipped with four (4) Quick-Connect nozzles that easily connect to the spray lance.

To connect a nozzle to the spray lance:

1. Turn off the pressure washer and shut off the water supply. Pull the trigger to release water pressure.
2. Engage the safety lock on the trigger handle by pushing right on the safety lock(Fig.11).
3. Snap the desired nozzle into the spray lance tight (Fig. 13).



To disconnect a nozzle from the spray lance once the cleaning job is complete:

4. Turn off the pressure washer and shut off the water supply. Pull the trigger to release water pressure.
5. Engage the safety lock on the trigger handle by pushing right on the safety lock(Fig.11).
6. Remove the nozzle from the spray lance.

WARNING! Do not make changes to the nozzle while the trigger is engaged. Doing so could result in damage to the pressure washer or injury to the user.

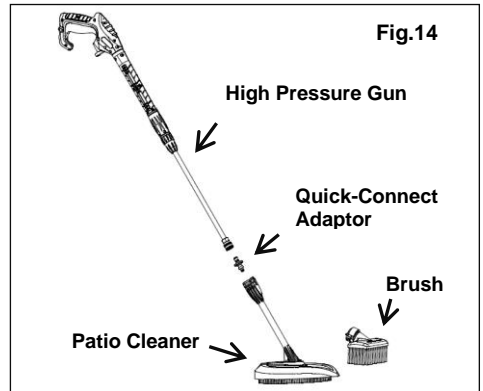
Working with Patio Cleaner and Brush(optional)

The patio cleaner and brush is a powerful accessory for cleaning patio, driveways, car, etc.

A quick-connect adaptor is required when working with patio cleaner and brush.

To connect a patio cleaner to the spray lance:

1. Turn off the pressure washer and shut off the water supply. Pull the trigger to release water pressure.
2. Engage the safety lock on the trigger handle by pushing right on the safety lock(Fig.11).
3. Remove the nozzle from the spray lance.
4. Snap the quick-connect adaptor into the spray lance tight, then connect the patio cleaner or brush to the another end of adaptor tight. (Fig.14)



To disconnect the patio cleaner or brush from the spray lance once the cleaning job is complete:

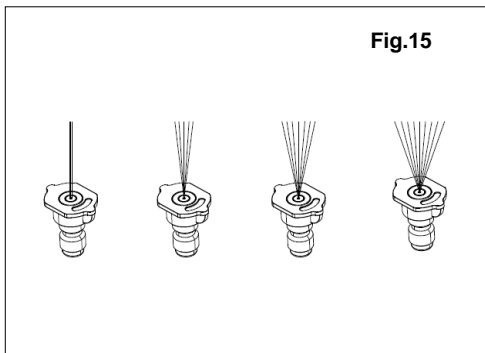
5. Turn off the pressure washer and shut off the water supply. Pull the trigger to release water pressure.
6. Engage the safety lock on the trigger handle by pushing right on the safety lock(Fig.11).
7. Remove the patio cleaner or brush from the spray lance.

NOTE: Do not use the patio cleaner and brush as a broom but let it surf smoothly over the surface.

Rinsing with the pressure

washer

1. Turn off the pressure washer and shut off the water supply.
2. Pull the trigger to release water pressure.
3. Engage the safety lock on the trigger handle by pushing right on the safety lock (Fig.11)
4. Remove the nozzle from the spray lance and storage them on the washer unit .
5. Select the right nozzle for the job (Fig. 15).



- i) The 0° intense-jet nozzle (red) is an extremely powerful nozzle that delivers a high-pressure, pencil-point jet stream. It is used to cut heavy dirt deposits in a small, concentrated area. It is ideal for dissolving stubborn substances, like tar and grease spots on concrete, or for removing caked mud from equipment. Use this nozzle to clean hard-to-reach areas including the facades of 2-story buildings or the undersides of lawn mowers and tractors.

NOTE: Care should be used when choosing the right nozzle to avoid permanently gouging wood or damaging fragile surfaces.

- ii) Use the 15° fan-tip nozzle (yellow) for intense cleaning jobs on hard surfaces. Applications include stripping paint, removing oil stains, grease, heavy mildew stains, and rust from steel. This nozzle should only be used in areas that can with

stand the high-pressure from this nozzle.

- iii) Use the 25° fan-tip nozzle (green) to clean home siding, brick patios, wood decks, driveways, or sidewalks. When using this nozzle, test a small area first to avoid surface damage.
- iv) Use the 40° wide-spray tip nozzle (white) to clean items such as cars, trucks, boats, patio furniture, or lawn equipment.

6. Start at the top of the area to be rinsed and work down, making sure to overlap the strokes.

IMPORTANT! NEVER USE:

- Bleach, chlorine products, and other corrosive chemicals
- Liquids containing solvents (e.g. paint thinners, gasoline, oils)
- Tri-sodium phosphate products
- Ammonia products
- Acid-based products

These chemicals will harm the unit and will damage the cleaning surface.

Shutting down

1. Turn the switch to the OFF position and unplug the power cord from the outlet.
2. Turn off the water source.
3. Hold the trigger to release water pressure.
4. Disconnect the garden hose from the water inlet on the unit.
5. Disconnect the high pressure hose connection on the trigger gun handle.
6. Release the trigger and engage the gun safety lock.

WARNING! Turn off the water supply and squeeze the trigger to depressurize the unit. Failure to do so could result in personal injury due to discharge of high-pressure water.

- Store the pressure washer indoors in a dry, covered area where it is not subject to adverse weather conditions.
- It is important to store this product in a frost-free area.
- Always empty water from all hoses, the pump, and the detergent bottle before storing.

Storage

1. Storage the trigger gun and spray lance on the holders(Fig.16).
2. Hang the power cord and high pressure hose.

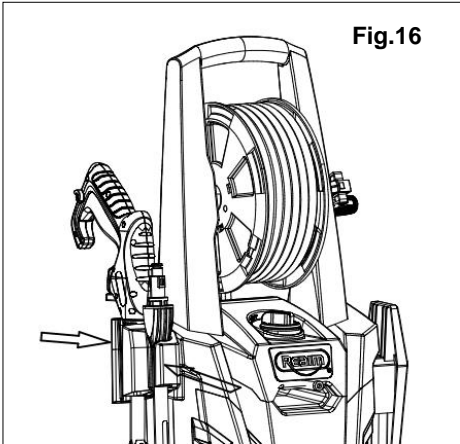


Fig.16

3.

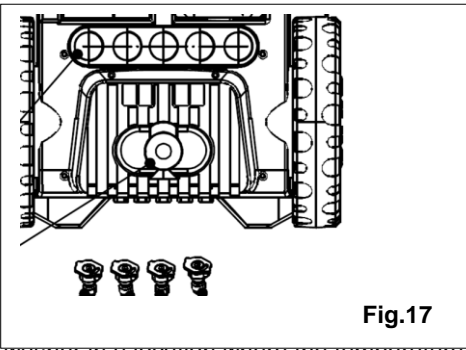


Fig.17

washer in a location where the temperature will not fall below 32°F (0°C). The pump in this machine is susceptible to permanent damage if it freezes. **FREEZE DAMAGE IS NOT COVERED BY THE WARRANTY.**

Winterizing and long-term storage

- If you must store your pressure washer in a location where the temperature falls below 32°F (0°C), you can minimize the chance of damage to your machine by utilizing the following procedure:
- Disconnect all water connections.
- Turn on the machine for a few seconds until the remaining water in the pump exits. Turn off immediately.
- Do not allow the high-pressure hose to become kinked.
- Store the machine and accessories in a room that does not reach freezing temperatures.
- Do not store near a furnace or other sources of heat that may dry out the pump seals.
- Operate the pressure washer with non-corrosive/non-toxic anti-freeze, a pump saver, or a pump protector before storing for the winter.

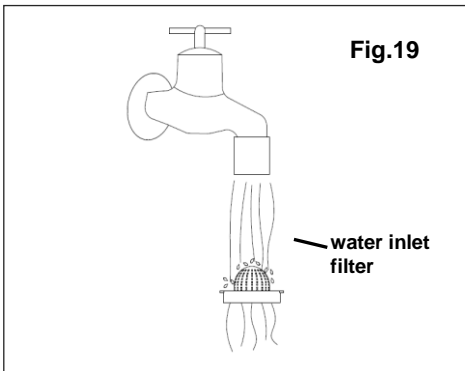
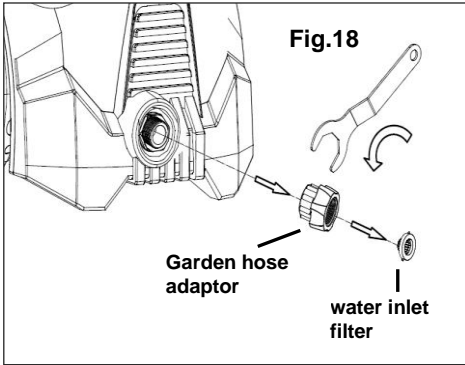
WARNING! Before reusing, completely flush the unit out with clear water. Anti-freeze products can damage paintwork, so you must ensure there is no anti-freeze left in the system before using it again.

Maintenance

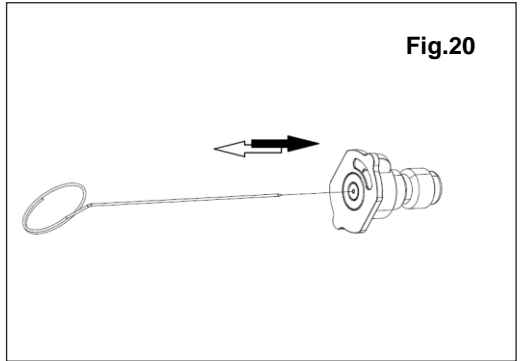
CAUTION! Before working on the pressure washer, disconnect the plug from the power supply socket.

1. To ensure good performance, check and clean the water inlet filter (Fig. 18).

Remove the filter and rinse with water to prevent any foreign matter from clogging the pump (Fig. 19).



2. Clean the nozzle with the needle clean out tool provided (Fig. 20). Remove the spray lance from the gun; remove any dirt from the nozzle hole and rinse.



3. Remove additional debris by back flushing water through the nozzle and spray lance. To do this, place the end of your garden hose (with water running) to the tip of the nozzle, pushing water and debris out of the back opening of the nozzle and spray lance.

4. Keep the machine clean and let cooling air pass freely through the machine vents.

5. To ensure an easy connection and that o-rings do not dry up; the couplings should be greased regularly.

Environmental protection

Old appliances contain valuable materials that can be recycled. Please arrange for the proper recycling of old appliances. Please dispose your old appliances using appropriate collection systems.

Troubleshooting

Problems	Possible Cause	Possible Solution
	The machine is not plugged-in	Plug the machine in

Machine refuses to start	Faulty receptacle	Try another receptacle
	The fuse has blown	Replace the fuse Unplug other appliances
	Faulty extension cable	Try without the extension cable
Fluctuating pressure	The pump is drawing in air	Check that hoses and connections are airtight.
	Valves dirty, worn or sticking	Contact your service center
	The water supply is not sufficient	Increase water pressure, check for blockages and / or change the large pipe.
	Pump seals worn	Contact your nearest service center
Machine stops	The fuse has blown	Replace the fuse
	Incorrect mains voltage	Unplug other appliances Check that the mains voltage corresponds to the specifications on the nameplate
	Thermal sensor activated	Leave the machine to cool for 5 mins
	Partially blocked jet	Clean the jet with a needle and by spraying water rearwardly through the jet
Fuse blows	Fuse too small	Replace it with a fuse with higher amp consumption than the washer.
	Increase in the amperage	Try without the extension cable
Machine pulsating	Air in inlet hose / pump	Allow machine to run with open trigger until regular working pressure resumes.
	Inadequate supply of water generated	Increase water pressure, check for blockages and / or change the large pipe.
	Partially blocked jet	Clean the jet with a needle and by spraying water rearwardly through the jet.
	Water filter blocked	Clean the filter
	Folded pipe	Unfold the pipe
Machine turns on and off by itself	Pump fuse and/or trigger out of order	Contact your nearest service center
	No water supply	Connect the inflow water.
Machine is on but no water comes out	Water filter blocked	Clean the filter
	Blocked jet	Clean the jet with a needle and by spraying water rearwardly through the jet

Limited 2 year warranty Electric pressure washer



This Realm® product is warranted by Realm Import And Export (USA) INC. to the original purchaser for two years against defects in workmanship and materials when used for normal residential purposes. The defective product will be replaced or repaired at no charge in either of two ways, and subject to the conditions, limitations, and exclusions noted below.

Limitations

- Electric motors and pumps carry a two (2) year warranty.
- Frames, handles and other structural components carry a two (2) year warranty.
- Electrical components, switches, etc. will be warranted for two (2) year warranty.
- Standard accessories and attachments are warranted for a ninety (90) day period.
- Any commercial, industrial or rental use of this equipment will reduce the warranty to thirty (30) days.

The warranty period is calculated from the date of original purchase.

Exclusions

- Damages caused by misuse, neglect, accident, abuse, improper handling, freezing, normal wear and tear or non-compliance with operator's manual.
- Damage caused by water sediment, contaminated water supply or use of chemicals and detergents improperly.
- Damage caused by acts of nature such as floods, fires, earthquakes, lightning strikes, etc.
- Devices or accessories not distributed or approved by Realm are not covered by this warranty.

This warranty is non-transferable and applies only to products purchases through a Realm® authorized reseller. This warranty gives you specific legal rights in the United States. You may have other rights, which vary by country and state/province.

If you wish to contact Realm, please direct inquiries to the Realm USA Office:

100 Wearguard Drive, Suite.8, Hanover, MA, United States
Service Hotline: 1-888-899-1688
Email: info@realmimportexport.com



WEEE - Waste of Electric and Electronic Equipment



The symbol on the product or on its packing indicates that this product may not be treated as household waste. Instead it shall be handed over. To the applicable collection point for the recycling of electrical and electronic equipment. By ensuring this product is disposed of correctly, you will help prevent potential negative consequences for the environment and human health, which could otherwise be caused by inappropriate waste handling of this product. For more detailed information about recycling of this product, please contact your local city office, your household waste disposal service or the shop where you purchased the product

100 Wearguard Drive, Suite.8, Hanover, MA 02339, United States

Service Hotline: 1-888-899-1688

Email: info@realmimportexport.com

www.realmimportexport.com