



OPERATOR'S MANUAL

| | |
|--|---------------------------------|
| Straight Shaft Trimmer Attachment | |
| | (2016 and Previous)....2 |
| Straight Shaft Trimer Attachment | |
| | (2017 and Later).....28 |



EXPAND-IT
ATTACHMENTS



OPERATOR'S MANUAL

MANUEL D'UTILISATION

MANUAL DEL OPERADOR

STRAIGHT SHAFT

TRIMMER ATTACHMENT

ARBRE DROIT ACCESSOIRE

TAILLE-BORDURES

ACCESORIO PARA RECORTAR
DE EJE RECTO

RYSST44

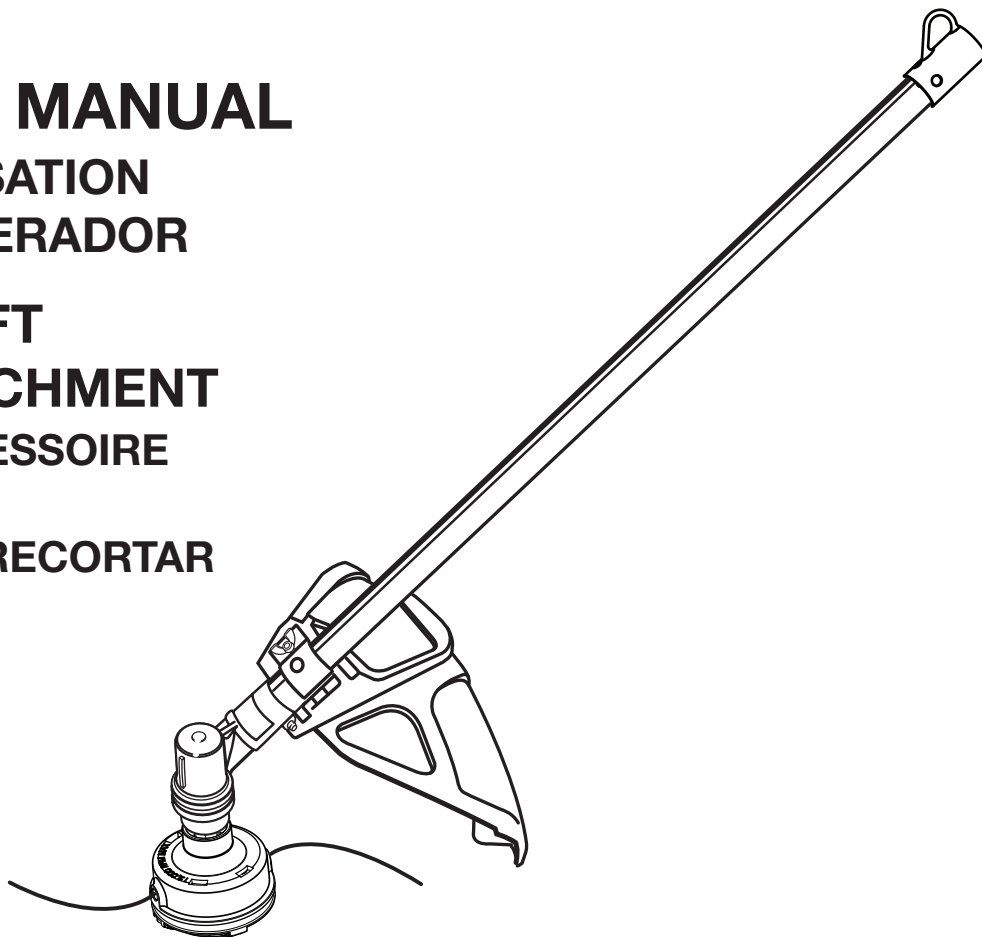


TABLE OF CONTENTS

- General Safety Rules2
- Specific Safety Rules2
- Symbols3
- Features4
- Assembly 4-5
- Operation 5-6
- Maintenance 7-8
- Troubleshooting8
- Parts Ordering/Service..... Back Page

TABLE DES MATIÈRES

- Règles de sécurité générales.....2
- Règles de sécurité particulières.....2
- Symboles3
- Caractéristiques.....4
- Assemblage 4-5
- Utilisation 5-6
- Entretien..... 7-8
- Dépannage.....8
- Commande de pièces/
réparation..... Page arrière

ÍNDICE DE CONTENIDO

- Reglas de seguridad generales2
- Reglas de seguridad específicas2
- Símbolos3
- Características4
- Armado 4-5
- Funcionamiento 5-6
- Mantenimiento 7-8
- Corrección de problemas8
- Pedidos de piezas/
servicio..... Pág. posterior

WARNING: To reduce the risk of injury, the user must read and understand the operator's manual before using this product.

AVERTISSEMENT : Pour réduire les risques de blessures, l'utilisateur doit lire et veiller à bien comprendre le manuel d'utilisation avant d'employer ce produit.

ADVERTENCIA: Para reducir el riesgo de lesiones, el usuario debe leer y comprender el manual del operador antes de usar este producto.

**SAVE THIS MANUAL FOR
FUTURE REFERENCE**

**CONSERVER CE MANUEL
POUR FUTURE RÉFÉRENCE**

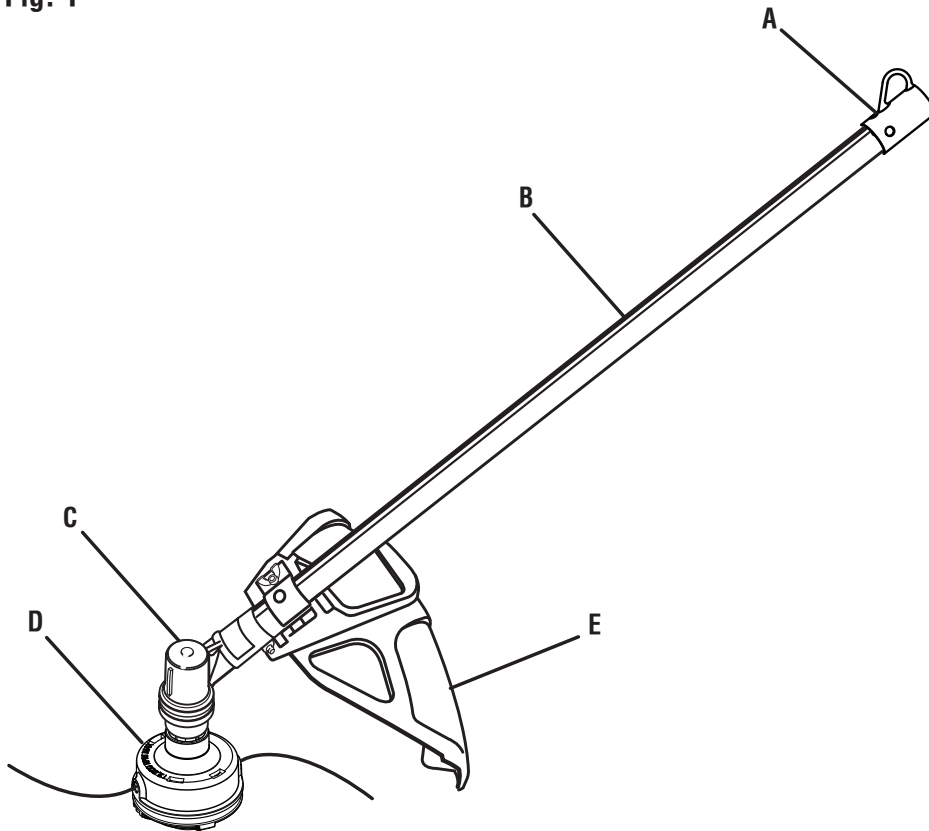
**GUARDE ESTE MANUAL
PARA FUTURAS CONSULTAS**

See this fold-out section for all of the figures referenced in the operator's manual.

Consulter l'encart à volets afin d'examiner toutes les figures mentionnées dans le manuel d'utilisation.

Consulte esta sección desplegable para ver todas las figuras a las que se hace referencia en el manual del operador.

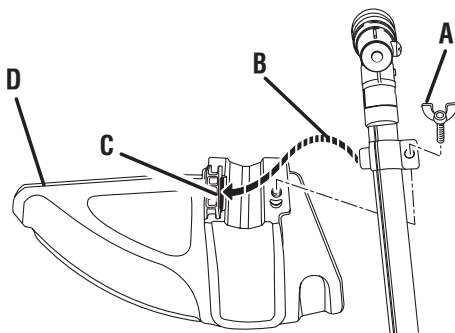
Fig. 1



- A - Hanger cap (capuchon de suspension, tapa de suspensión)
- B - Trimmer shaft (arbre du taille-bordures, eje de la recortadora)
- C - Gear head (carter d'engrenages, cabezal de engranajes)

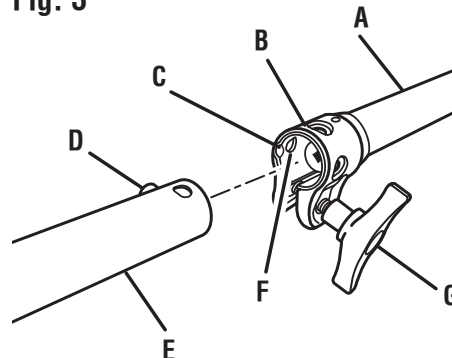
- D - String head (tête à ligne de coupe, cabezal del hilo)
- E - Grass deflector (déflecteur d'herbe, deflector de pasto)

Fig. 2



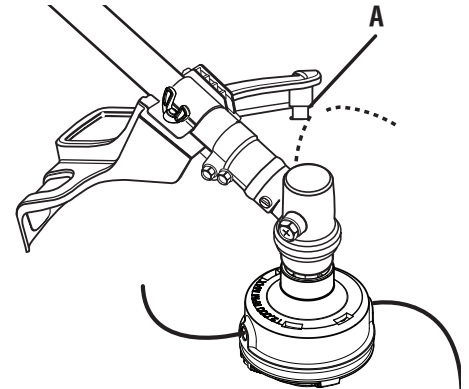
- A - Wing screw (vis à oreilles, tornillo de mariposa)
- B - Tab (languette, orejeta)
- C - Slot (fente, ranura)
- D - Grass deflector (déflecteur d'herbe, deflector de pasto)

Fig. 3



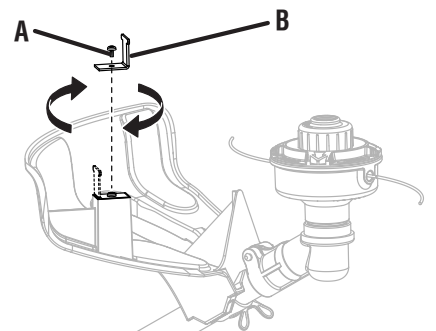
- A - Power head shaft (arbre moteur, cabezal motor eje)
- B - Coupler (coupleur, acoplador)
- C - Guide recess (renforcement du guide, hueco guía)
- D - Button (bouton, botón)
- E - Attachment shaft (arbre de l'accessoire, eje del accesorio)
- F - Positioning hole (trou de positionnement, orificio de posicionamiento)
- G - Knob (bouton, perilla)

Fig. 4



- A - Line cut-off blade (lame coupe-ligne, cuchilla de corte)

Fig. 5



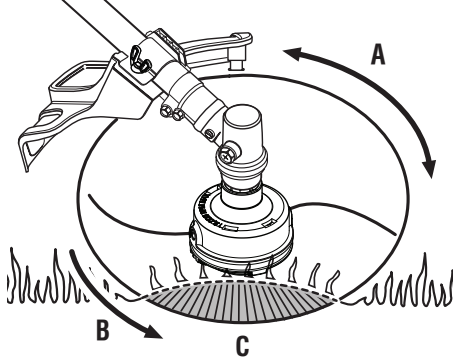
- A - Screw (vis, tornillo)
- B - Line cut-off blade (lame coupe-ligne, cuchilla de corte)

Fig.6



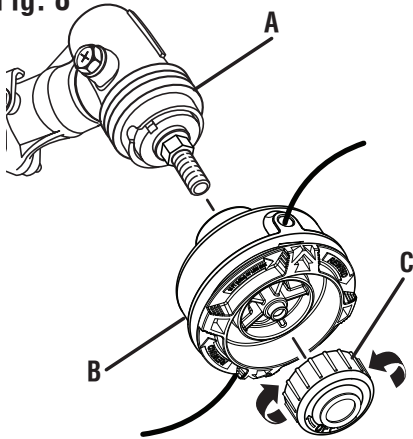
PROPER OPERATING POSITION / BONNE POSITION DE TRAVAIL / POSICIÓN CORRECTA PARA EL MANEJO DE LA HERRAMIENTA

Fig. 7



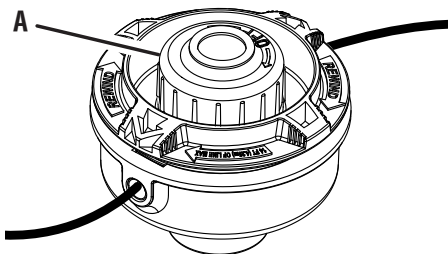
- A - Dangerous cutting area (zone de coupe dangereuse, área peligrosa de corte)
- B - Direction of rotation (sens de rotation, sentido de rotación)
- C - Best cutting area (zone d'efficacité maximum, mejor área de corte)

Fig. 8



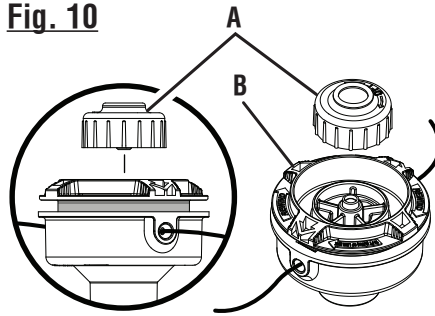
- A - Drive shaft (arbre moteur, eje de impulsión)
- B - string head (tête de coupe, cabezal del hilo)
- C - Spool retainer (retenue de bobine, retén del carrete)

Fig. 9



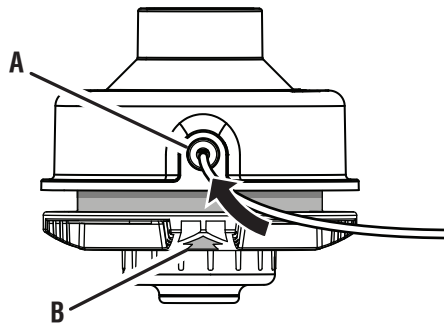
- A - Spool retainer (retenue de bobine, retén del carrete)

Fig. 10



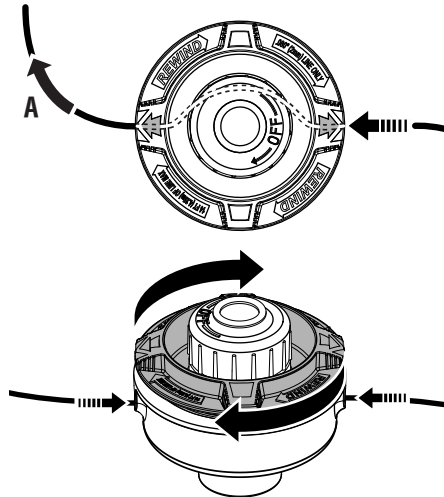
- A - Spool retainer (retenue de bobine, retén del carrete)
- B - Spool (bobine, carrete)

Fig. 11



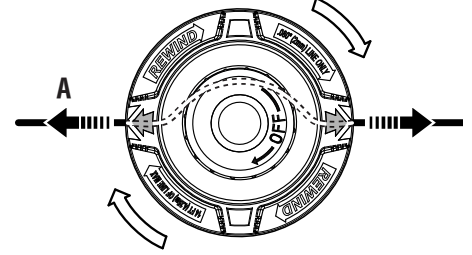
- A - Eyelet (œillet, ojo)
- B - Arrow on spool (flèche sur la bobine, flecha en el carrete)

Fig. 12



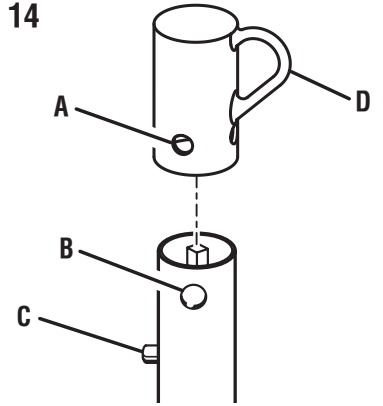
- A - Pull strings (tirer vers l'extérieur, tira del hilo)
- B - Rotate the spool clockwise (tourner le bobine dans le sens horaire, gire a la derecha el carrete)

Fig. 13



- A - Pull strings (tirer vers l'extérieur, tira del hilo)

Fig. 14



- A - Hole (trou, orificio)
- B - Secondary hole (trou secondaire, orificio secundario)
- C - Button (bouton, botón)
- D - Hanger cap (capuchon de suspension, tapa de suspensión)

GENERAL SAFETY RULES



WARNING:

Read and understand all instructions. Failure to follow all instructions listed below may result in electric shock, fire, and/or serious personal injury.

SAVE THESE INSTRUCTIONS

- Read these instructions and the instructions for the power head thoroughly before using the straight shaft trimmer attachment.
- Know the tool. Read and understand the operator's manual and observe the warnings and instruction labels affixed to the tool.
- Do not allow children or untrained individuals to use this unit.
- Always wear eye protection with side shields marked to comply with ANSI Z87.1.
- Wear heavy long pants, boots, and gloves. Do not wear loose fitting clothing, short pants, jewelry of any kind, or go barefoot.
- Secure long hair so it is above shoulder level to prevent entanglement in any moving parts.
- Keep all bystanders, children, and pets at least 50 ft. away. Bystanders should be encouraged to wear eye protection.
- Stay alert, watch what you are doing, and use common sense when operating a power tool. Do not use tool while tired or under the influence of drugs, alcohol, or medica-

tion. A moment of inattention while operating power tools may result in serious personal injury.

- Do not operate in poor lighting.
- Do not overreach. Keep proper footing and balance at all times. Proper footing and balance enables better control of the tool in unexpected situations.
- Keep all parts of your body away from any moving part.
- Do not touch areas around the muffler or cylinder of the power head. These parts get hot from operation. Failure to heed this warning could result in possible serious personal injury.
- Always stop the engine and remove the spark plug wire before making any adjustments or repairs except for carburetor adjustments.
- Inspect unit before each use for loose fasteners and damaged or missing parts. Correct before using the trimmer attachment. Failure to do so can cause serious injury.
- Use only original manufacturer's replacement parts. Failure to do so may cause poor performance, possible injury, and will void your warranty.
- Do not, under any circumstance, use any attachment or accessory on this product, which was not provided with the product, or identified as appropriate for use with this product in the operator's manual.
- Avoid dangerous environments. Do not use the attachment in damp or wet locations. Do not use in rain.
- Use the right attachment. Do not use attachment for any job except that for which it is intended.

SPECIFIC SAFETY RULES




- Replace string head if cracked, chipped, or damaged in any way. Be sure the string head is properly installed and securely fastened. Failure to do so can cause serious injury.
- Make sure all deflectors and handles are properly and securely attached.
- Use only flexible, non-metallic line recommended by the manufacturer. Never use wire, wire rope, or flail blades, which can break off and become dangerous projectiles.
- Never operate string trimmer without the grass deflector in place and in good condition.
- Maintain a firm grip on both handles while trimming.

- Keep string head below waist level. Never cut with the string head located over 30 in. or more above the ground.
- Clear the work area before each use. Remove all objects such as rocks, broken glass, nails, wire, or string which can be thrown or become entangled in the cutting line.
- Save these instructions. Refer to them frequently and use them to instruct others who may use this tool. If you loan someone this tool, loan them these instructions also to prevent misuse of the product and possible injury.









NOTE: SEE YOUR POWER HEAD OPERATOR'S MANUAL FOR ADDITIONAL SPECIFIC SAFETY RULES.

SYMBOLS

The following signal words and meanings are intended to explain the levels of risk associated with this product.

| SYMBOL | SIGNAL | MEANING |
|---|-----------------|--|
|  | DANGER: | Indicates a hazardous situation, which, if not avoided, will result in death or serious injury. |
|  | WARNING: | Indicates a hazardous situation, which, if not avoided, could result in death or serious injury. |
|  | CAUTION: | Indicates a hazardous situation, that, if not avoided, may result in minor or moderate injury. |
| | NOTICE: | (Without Safety Alert Symbol) Indicates information considered important, but not related to a potential injury (e.g. messages relating to property damage). |

Some of the following symbols may be used on this product. Please study them and learn their meaning. Proper interpretation of these symbols will allow you to operate the product better and safer.

| SYMBOL | NAME | EXPLANATION |
|---|----------------------------|---|
|  | Safety Alert Symbol | Indicates a potential personal injury hazard. |
|  | Read Operator's Manual | To reduce the risk of injury, user must read and understand operator's manual before using this product. |
|  | Eye and Hearing Protection | Always wear eye protection with side shields marked to comply with ANSI Z87.1, along with hearing protection when operating this equipment. |
|  | Wear Gloves | Wear non-slip, heavy-duty protective gloves when handling this equipment. |
|  | Wear Safety Footwear | Wear non-slip safety footwear when using this equipment. |
|  | Keep Bystanders Away | Keep all bystanders at least 50 ft. away. |
|  | Ricochet | Thrown objects can ricochet and result in personal injury or property damage. |
|  | No Blade | Do not install or use any type of blade on a product displaying this symbol. |

FEATURES

PRODUCT SPECIFICATIONS

| | |
|---------------------------------------|-----------------------------|
| Line Cutting Width..... | 13 in. and 15 in. |
| Line Diameter: | |
| Gas Power Head | 0.080 in. to 0.095 in. max. |
| Cordless and Electric Power Head..... | 0.080 in. max. |

KNOW YOUR STRING TRIMMER ATTACHMENT

See Figure 1.

The safe use of this product requires an understanding of the information on the product and in this operator's manual as well as a knowledge of the project you are attempting. Before use of this product, familiarize yourself with all operating features and safety rules.

ADJUSTABLE CUTTING DIAMETER

The cutting diameter is adjustable from 13 in. and 15 in. by rotating the line cutoff blade.

GRASS DEFLECTOR

The trimmer includes a grass deflector that helps protect you from flying debris.

ASSEMBLY

UNPACKING

This product requires assembly.

- Carefully remove the items from the box. Make sure that all items listed in the packing list are included.

WARNING:

Do not use this product if any parts on the Packing List are already assembled to your product when you unpack it. Parts on this list are not assembled to the product by the manufacturer and require customer installation. Use of a product that may have been improperly assembled could result in serious personal injury.

- Inspect the unit carefully to make sure no damage occurred during shipping.
- Do not discard the packing material until you have carefully inspected and satisfactorily operated the product.
- If any parts are damaged or missing, please call 1-800-860-4050 for assistance.

PACKING LIST

Straight Shaft Trimmer Attachment
Grass Deflector
0.080 in. Twisted Replacement Line
Operator's Manual

WARNING:

If any parts are damaged or missing do not operate this product until the parts are replaced. Use of this product with damaged or missing parts could result in serious personal injury.

WARNING:

Do not attempt to modify this product or create accessories not recommended for use with this product. Any such alteration or modification is misuse and could result in a hazardous condition leading to possible serious personal injury.

WARNING:

Do not connect to power head until assembly is complete. Failure to comply could result in accidental starting and possible serious personal injury.

ATTACHING THE GRASS DEFLECTOR

See Figure 2.

WARNING:

The line cut-off blade on the grass deflector is sharp. Avoid contact with the blade. Failure to avoid contact can result in serious personal injury.

NOTE: Install the grass deflector before the attachment is connected to the power head.

- Remove the wing screw from the grass deflector.
- Insert the tab on the mounting bracket in the slot on the grass deflector.
- Align the screw hole in the mounting bracket with the screw hole in the grass deflector.
- Insert the wing screw through the mounting bracket and into the grass deflector.
- Tighten the screw securely.

ASSEMBLY

JOINING THE POWER HEAD TO THE STRAIGHT SHAFT TRIMMER ATTACHMENT

See Figure 3.

WARNING:

Never attach or adjust any attachment while power head is running. Failure to stop the engine or motor may cause serious personal injury.

The straight shaft trimmer attachment connects to the power head by means of a coupler device.

- Remove the hanger cap from the attachment shaft.
- Loosen the knob on the coupler of the power head shaft.
- Push in the button located on the straight shaft trimmer attachment. Align the button with the guide recess on the power head coupler and slide the two shafts together. Rotate attachment shaft until button locks into the positioning hole.

NOTE: If the buttons do not release completely in the positioning holes, the shafts are not locked into place. Slightly rotate from side to side until the button is locked into place.

- Tighten the knob securely.

WARNING:

Be certain the knob is fully tightened before operating equipment. Check it periodically for tightness during use to avoid serious injury.

REMOVING THE ATTACHMENT FROM THE POWER HEAD

For removing or changing the attachment:

- Stop the engine or motor.
- Loosen the knob.
- Push in the button and twist the shafts to remove and separate ends.

OPERATION

WARNING:

Do not allow familiarity with this product to make you careless. Remember that a careless fraction of a second is sufficient to inflict serious injury.

WARNING:

Always wear eye protection with side shields marked to comply with ANSI Z87.1. Failure to do so could result in objects being thrown into your eyes, resulting in possible serious injury.

WARNING:

Never use blades, flailing devices, wire, or rope on this product. Do not use any attachments or accessories not recommended by the manufacturer of this product. The use of attachments or accessories not recommended can result in serious personal injury.

NOTICE:

Before each use, inspect the entire product for damaged, missing, or loose parts such as screws, nuts, bolts, caps, etc. Tighten securely all fasteners and caps and do not operate this product until all missing or damaged parts are replaced. Please contact customer service or a qualified service center for assistance.

APPLICATIONS

You may use this product for the purpose listed below:

- Trimming grass and weeds from around porches, fences, and decks

LINE TRIMMING CUT-OFF BLADE

See Figures 4 - 5.

The trimmer is equipped with a line trimming cut-off blade on the grass deflector. For best cutting, advance line until it is trimmed to length by the cut-off blade. Advance the line whenever you hear the engine running faster than normal, or when trimming efficiency diminishes. This will maintain best performance and keep the line long enough to advance properly.

This trimmer is currently set at the 13 in. cutting swath. To adjust to a cutting swath of 15 in.:

- Stop the engine or motor.
- Loosen the blade screw then rotate the line cut-off blade 180°.
- Tighten the blade screw.

OPERATION

OPERATING THE TRIMMER

See Figure 6.

WARNING:

Engine housing on gas power heads may become hot during trimmer operation. Do not rest or place your arm, hand, or any body part against the engine housing during trimmer operation. Only hold the trimmer as shown in Figure 6 with all body parts clear of engine housing. Extended contact with the engine housing can result in burns or other injuries.

WARNING:

Always position the unit on the operator's right side. The use of the unit on the operator's left side will expose the user to hot surfaces and can result in possible burn injury.

WARNING:

To avoid burns from hot surfaces, never operate unit with the bottom of the engine above waist level.

Hold the trimmer with your right hand on the rear handle and your left hand on the front handle. Keep a firm grip with both hands while in operation. Trimmer should be held at a comfortable position with the rear handle about hip height.

Always operate trimmer at full throttle for gas power heads or with the switch trigger fully pressed for cordless and electric power heads. Cut tall grass from the top down. This will prevent grass from wrapping around the shaft housing and string head which may cause damage from overheating. If grass becomes wrapped around the string head, STOP THE ENGINE or MOTOR, disconnect the spark plug wire for gas power heads, remove the battery pack for cordless power heads, or disconnect the plug from the power source for electric power heads, and remove the grass. Prolonged cutting at partial throttle will result in lubricant dripping from the muffler.

WARNING:

Always hold the string trimmer away from the body keeping clearance between the body and the product. Any contact with the housing or string trimmer cutting head can result in burns and/or other serious personal injury.

CUTTING TIPS

See Figures 6 - 7.

- Avoid hot surfaces by always keeping the tool away from your body. (Proper operating position shown in figure 6.)
- Keep the trimmer tilted toward the area being cut; this is the best cutting area.
- The trimmer cuts when passing the unit from left to right. This will avoid throwing debris at the operator. Avoid cutting in the dangerous area shown in figure 7.
- Use the tip of line to do the cutting; do not force string head into uncut grass.
- Wire and picket fences cause extra line wear and breakage. Stone and brick walls, curbs, and wood may wear line rapidly.
- Avoid trees and shrubs. Tree bark, wood moldings, siding, and fence posts can easily be damaged by the line.

ADVANCING LINE USING THE REEL-EASY™ TAP ADVANCE SYSTEM

Line advance is controlled by tapping the string head's spool retainer on grass while running engine at full throttle for gas power heads or with the switch trigger fully pressed for cordless and electric power heads.

- Run engine at full throttle for gas power heads or with the switch trigger fully pressed for cordless and electric power heads.
- Tap string head on ground to advance line. Line advances each time the head is tapped.
- Several taps may be required until line strikes the cut off blade.
- Resume trimming.

NOTE: If the line is worn too short you may not be able to advance the line by tapping it on the ground. If so, STOP THE ENGINE or MOTOR, disconnect the spark plug wire for gas power heads, remove the battery pack for cordless power heads, or disconnect the plug from the power source for electric power heads, and manually advance the line.

ADVANCING THE LINE MANUALLY

Stop the unit and disconnect the spark plug wire for gas power heads, remove the battery pack for cordless power heads, or disconnect from power supply for electric power heads. Push the spool retainer down while pulling on line(s) to manually advance the line.

MAINTENANCE

WARNING:

Before inspecting, cleaning, or servicing the machine, shut off engine or motor, wait for all moving parts to stop, and disconnect spark plug wire and move it away from spark plug or disconnect from power supply. Failure to follow these instructions can result in serious personal injury or property damage.

WARNING:

Always wear eye protection with side shields marked to comply with ANSI Z87.1. Failure to do so could result in objects being thrown into your eyes, resulting in possible serious injury.

WARNING:

When servicing, use replacement parts that meet or exceed original product specifications. Use of any other parts could create a hazard or cause product damage.

NOTICE:

Periodically inspect the entire product for damaged, missing, or loose parts such as screws, nuts, bolts, caps, etc. Tighten securely all fasteners and caps and do not operate this product until all missing or damaged parts are replaced. Please contact customer service or a qualified service center for assistance.

GENERAL MAINTENANCE

Avoid using solvents when cleaning plastic parts. Most plastics are susceptible to damage from various types of commercial solvents and may be damaged by their use. Use clean cloths to remove dirt, dust, oil, grease, etc.

WARNING:

Do not at any time let brake fluids, gasoline, petroleum-based products, penetrating oils, etc., come in contact with plastic parts. Chemicals can damage, weaken or destroy plastic which could result in serious personal injury.

SPOOL REPLACEMENT REEL-EASY™ TAP ADVANCE SYSTEM

See Figures 8 - 11.

If replacing line only, refer to **Line Replacement** later in this manual.

For gas power heads, use 0.080 in. or 0.095 in. trimmer line. For cordless and electric power heads, use 0.080 in. trimmer line only.

- Stop the unit and disconnect the spark plug wire for gas power heads, remove the battery pack for cordless power heads, or disconnect from power supply for electric power heads. Hold the string head and unscrew the spool retainer.

- Remove the empty spool from the string head.

NOTE: It is not necessary to remove the string head housing from the drive shaft.

- Insert the new spool into the string head.

NOTE: Make sure the arrows on the spool are aligned with the eyelets in the string head housing. Push down and hold the spool and housing together while completing the installation.

- Reinstall the spool retainer to secure.

- Install line as described in **Line Replacement**.

LINE REPLACEMENT

See Figure 12 - 13.

- Stop the unit and disconnect the spark plug wire for gas power heads, remove the battery pack for cordless power heads, or disconnect from power supply for electric power heads.

- Rotate the spool clockwise as necessary to align the arrows on the spool with the eyelets in the string head housing.

- Cut one piece of trimmer line 10 ft. long. Insert the line into the eyelet on the string trimmer housing. Push until the end of the line comes out the other side of the string head. Pull the line from the other side until equal amounts of line appear on both sides of the spool.

- Rotate the spool clockwise to wind the line on the spool until approximately 6 in. of line is showing on each side.

- Push the spool retainer down while pulling on line(s) to manually advance the line and to check for proper assembly of the string head.

MAINTENANCE

ATTACHING THE STORAGE HANGER

See Figure 14.

There are two ways to hang the attachment for storage.

- To use the hanger cap, push in the button and place the hanger cap over the end of the attachment shaft. Slightly rotate the cap from side to side until the button locks into place.
- The secondary hole in the attachment shaft can be used for hanging purposes as well.

STORING THE ATTACHMENT

- Store the attachment in a well-ventilated place that is inaccessible to children.
- Keep away from corrosive agents such as garden chemicals and deicing salts.

REPLACEMENT PARTS

0.080 in. Twisted Replacement Line (Bulk).....AC04138

0.080 in. Twisted Replacement Line (Pre-cut).....AC04139

Available at homedepot.com

TROUBLESHOOTING

| PROBLEM | POSSIBLE CAUSE | SOLUTION |
|---|-------------------------------------|---|
| Line will not advance when using the auto-feed head | Line is welded to itself. | Lubricate with silicone spray. |
| | Not enough line on spool. | Install more line. Refer to Line Replacement earlier in this manual. |
| | Line is worn too short. | Pull line while pressing button. |
| | Line is tangled on spool. | Remove line from spool and rewind. Refer to Line Replacement earlier in this manual. |
| Grass wraps around boom housing and string head | Cutting tall grass at ground level. | Cut tall grass from the top down to prevent wrapping. |



CALL US FIRST

For any questions about operating or maintaining your product, call the Ryobi Help Line!
Your product has been fully tested prior to shipment to ensure your complete satisfaction.

This product has a Three-year Limited Warranty for personal, family, or household use (90 days for business or commercial use). For warranty details, visit www.ryobitools.com or call (toll free) 1-800-860-4050.

RÈGLES DE SÉCURITÉ GÉNÉRALES

AVERTISSEMENT :

Lire et veiller à bien comprendre toutes les instructions. Le non-respect de toutes les instructions ci-dessous peut entraîner un choc électrique, un incendie et/ou des blessures graves.

CONSERVER CES INSTRUCTIONS

- Lire attentivement ces instructions et celles du moteur avant d'utiliser cet accessoire.
- Apprendre à connaître l'outil. Lire et veiller à bien comprendre le manuel de l'opérateur et observer les avertissements et les instructions des autocollants apposés sur l'outil.
- Ne pas laisser des enfants ou des personnes n'ayant pas reçu une formation adéquate utiliser cet outil.
- Toujours porter une protection oculaire avec écrans latéraux certifiée conforme à la norme ANSI Z87.1.
- Porter des pantalons longs, des chaussures de travail et des gants épais. Ne pas porter de vêtements amples, shorts, bijoux quels qu'ils soient et ne pas travailler pieds nus.
- Attacher les cheveux longs pour les maintenir au-dessus des épaules, afin qu'ils ne se prennent pas dans les pièces en mouvement.
- Garder les badauds, enfants et animaux domestiques à une distance minimum de 15 m (50 pi). Recommander aux personnes présentes de porter une protection oculaire.
- Rester attentif, prêter attention au travail, et faire preuve de bon sens lors de l'utilisation de tout outil électrique. Ne pas utiliser cet outil en état de fatigue ou sous l'influence d'alcool, de drogues ou de médicaments. Un moment d'inattention pendant l'utilisation d'un outil électrique peut entraîner des blessures graves.

- Ne pas travailler sous un éclairage insuffisant.
- Ne pas travailler hors de portée. Toujours se tenir bien campé et en équilibre. Des pieds bien campés et un bon équilibre permettent de mieux contrôler l'outil en cas de situation imprévue.
- Garder toutes les parties du corps à l'écart des pièces en mouvement.
- Ne pas toucher les zones autour de l'échappement ou du cylindre du moteur. Ces pièces deviennent très chaudes en cours de fonctionnement. Ne pas prendre cette précaution pourrait entraîner des blessures graves.
- Toujours arrêter le moteur et débrancher le fil de la bougie avant d'effectuer tout entretien ou réglage, à l'exception des réglages du carburateur.
- Inspecter l'appareil avant chaque utilisation pour s'assurer qu'il n'y a pas de fixations desserrées ou de pièces endommagées ou manquantes. Effectuer les corrections requises avant d'utiliser l'accessoire taille-bordures. Ne pas prendre cette précaution peut entraîner des risques de blessures graves.
- Utiliser exclusivement des pièces de rechange d'origine. Toute dérogation peut entraîner un mauvais fonctionnement, des blessures graves et l'annulation de la garantie.
- N'utiliser en aucun cas un accessoire non fourni avec le produit, ou non indiqué comme pouvant être utilisé sur l'outil dans le manuel d'utilisation.
- Éviter les environnements dangereux. Ne pas utiliser l'accessoire dans des endroits humides ou mouillés. Ne pas utiliser sous la pluie.
- Utiliser l'accessoire approprié. Ne pas utiliser l'accessoire dans une application pour laquelle il n'a pas été prévu.




RÈGLES DE SÉCURITÉ PARTICULIÈRES

- Si la tête de coupe est fendue, brisée ou endommagée de quelque façon que ce soit, la remplacer. S'assurer que la tête de coupe est correctement installée et solidement assujettie. Ne pas prendre cette précaution peut entraîner des risques de blessures graves.
- S'assurer que tous les déflecteurs et toutes les poignées sont correctement installés et solidement fixés.
- N'utiliser que le fil flexible et non métallique recommandé par le fabricant. Ne jamais utiliser un fil métallique, un câble ou des lames de fléau susceptibles de devenir des projectiles dangereux.
- Ne jamais utiliser le taille-bordures si le déflecteur d'herbe n'est pas en place et en bon état.
- Tenir fermement les deux poignées pendant le travail.
- Tenir la tête de coupe au-dessous du niveau de la taille. Ne jamais couper en tenant la tête de coupe à plus de 76 centimètres (30 po) du sol.
- Débayer la zone de travail avant chaque utilisation. La débarrasser de tous les objets tels que cailloux, verre brisé, clous, fils métalliques, cordes, etc. risquant d'être projetés ou de se prendre dans la ligne de coupe.
- Conserver ces instructions. Les consulter fréquemment et les utiliser pour instruire les autres utilisateurs éventuels. Si cet outil est prêté, il doit être accompagné de ces instructions, afin d'éviter un usage incorrect et d'éventuelles blessures.









NOTE : CONSULTEZ LE MANUEL D'UTILISATION DE BLOC MOTEUR POUR DE TÊTE POUR DES SUPPLEMENTAIRE RÈGLES DE SÉCURITÉ PARTICULIÈRES.

SYMBOLES

Les termes de mise en garde suivants et leur signification ont pour but d'expliquer le degré de risques associé à l'utilisation de ce produit.

| SYMBOLE | SIGNAL | SIGNIFICATION |
|---|------------------------|--|
|  | DANGER : | Indique une situation dangereuse qui, si elle n'est pas évitée, aura pour conséquences des blessures graves ou mortelles. |
|  | AVERTISSEMENT : | Indique une situation dangereuse qui, si elle n'est pas évitée, pourrait entraîner des blessures graves ou mortelles. |
|  | ATTENTION : | Indique une situation dangereuse qui, si elle n'est pas évitée, pourrait entraîner des blessures légères ou de gravité modérée. |
| | AVIS : | (Sans symbole d'alerte de sécurité) Indique les informations jugées importantes sans toutefois représenter un risque de blessure (ex. : messages concernant les dommages matériels). |

Certains des symboles ci-dessous peuvent être présents sur la produit. Veiller à les étudier et à apprendre leur signification. Une interprétation correcte de ces symboles permettra d'utiliser la produit plus efficacement et de réduire les risques.

| SYMBOLE | NOM | EXPLICATION |
|---|---------------------------------|--|
|  | Symbole d'alerte de sécurité | Indique un risque de blessure potentiel. |
|  | Lire le manuel d'utilisation | Pour réduire les risques de blessures, l'utilisateur doit lire et veiller à bien comprendre le manuel d'utilisation avant d'utiliser ce produit. |
|  | Protection oculaire et auditive | Toujours porter une protection oculaire avec écrans latéraux certifiée conforme à la norme ANSI Z87.1. ainsi qu'un protection auditive. |
|  | Gants | Porter des gants épais antidérapants lors de l'utilisation de l'outil. |
|  | Chaussures de sécurité | Porter des chaussures de travail à semelle antidérapante lors de l'utilisation de l'outil. |
|  | Ne laisser personne s'approcher | Ne jamais laisser quiconque se tenir à moins de 15 m (50 pi) de l'outil. |
|  | Ricochet | Ne pas utiliser le coupe-bordures sans le protecteur. Rester éloigné de la tête de coupe rotative. |
|  | Ne pas utiliser de lame | Ne jamais utiliser une lame quelconque sur un outil portant ce symbole. |

CARACTÉRISTIQUES

FICHE TECHNIQUE

| | |
|---|--|
| Largeur de coupe de ligne..... | 330 mm et 381 mm (13 po et 15 po) |
| Diamètre de coupe : | |
| Ensemble moteur à essence..... | 2,0 mm à 2,4 mm max. (0,08 po à 0,095 po max.) |
| Ensemble moteur sans fil ou électrique..... | 2,0 mm max. (0,08 po max.) |

APPRENDRE À CONNAÎTRE L'ACCESSOIRE TAILLE-BORDURES À ARBRE DROIT

Voir la figure 1.

La sécurité d'utilisation de ce produit exige la compréhension des informations apposées sur le produit et contenues dans ce manuel d'utilisation, ainsi que la connaissance du travail à exécuter. Avant d'utiliser ce produit, se familiariser avec toutes ses fonctions et règles de sécurité.

DIAMÈTRE DE COUPE RÉGLABLE

Les diamètres de coupe de 330 mm et 381 mm (13 et 15 po) se règlent en tournant la lame de sectionnement du fil.

DÉFLECTEUR D'HERBE

Le taille-bordures est équipé d'un déflecteur d'herbe qui protège l'opérateur des débris projetés.

ASSEMBLAGE

DÉBALLAGE

Ce produit nécessite l'assemblage

- Avec précaution, sortir le produit et les accessoires de la boîte. S'assurer que toutes les pièces figurant sur la liste de contrôle sont incluses.

AVERTISSEMENT :

Ne pas utiliser le produit si, en le déballant, vous constatez que des éléments figurant dans la Liste de contrôle d'expédition sont déjà assemblés. Certaines pièces figurant sur cette liste n'ont pas été assemblées par le fabricant et exigent une installation. Le fait d'utiliser un produit qui a été assemblé de façon inadéquate peut entraîner des blessures.

- Examiner soigneusement le produit pour s'assurer que rien n'a été brisé ou endommagé en cours de transport.
- Ne pas jeter les matériaux d'emballage avant d'avoir soigneusement examiné le produit et avoir vérifié qu'il fonctionne correctement.
- Si des pièces sont manquantes ou endommagées, appeler le 1-800-860-4050.

LISTE DE CONTRÔLE D'EXPÉDITION

Arbre droit accessoire taille-bordures

Déflecteur d'herbe

Fil de remplacement torsadé de 2,0 mm (0,08 po)

Manuel d'utilisation

AVERTISSEMENT :

Si des pièces manquent ou sont endommagées, ne pas utiliser ce produit avant qu'elles aient été remplacées. Le fait d'utiliser ce produit même s'il contient des pièces endommagées ou s'il lui manque des pièces peut entraîner des blessures graves.

AVERTISSEMENT :

Ne pas essayer de modifier cet produit ou de créer des accessoires non recommandés pour le produit. De telles altérations ou modifications sont considérées comme un usage abusif et peuvent créer des conditions dangereuses, risquant d'entraîner des blessures graves.

AVERTISSEMENT :

Ne pas brancher sur le bloc-moteur avant d'avoir terminé l'assemblage. Le non-respect de cet avertissement peut causer un démarrage accidentel, entraînant des blessures graves.

INSTALLATION DU DÉFLECTEUR D'HERBE

Voir la figure 2.

AVERTISSEMENT :

La lame coupe ligne du déflecteur est tranchante. Éviter de la toucher. Le contact avec la lame peut causer des blessures graves.

NOTE : Installer le déflecteur d'herbe avant de fixer l'accessoire sur l'ensemble moteur.

- Retirer la vis à oreilles du déflecteur d'herbe.
- Insérer la languette du support de montage dans la fente du déflecteur d'herbe.
- Aligner le trou de vis du support de montage sur le trou de vis du déflecteur d'herbe.
- Insérer la vis à oreilles dans le support et le déflecteur d'herbe.
- Serrer la vis fermement.

ASSEMBLAGE

RACCORDEMENT DU BLOC-MOTEUR À L'ACCESSOIRE TAILLE-BORDURES À ARBRE DROIT

Voir la figure 3.

AVERTISSEMENT :

Ne jamais installer ou ajuster un accessoire lorsque le moteur tourne. Ceci pourrait causer des blessures graves.

L'accessoire taille-bordures à arbre droit se raccorde au bloc-moteur à l'aide d'un dispositif de couplage.

- Retirer l'anneau de suspension de l'arbre d'accessoire.
- Desserrer le bouton du coupleur de l'arbre du bloc moteur.
- Appuyer sur le bouton se trouvant sur l'accessoire de taille-bordures. Aligner le bouton sur la rainure guide du bloc moteur et emboîter les deux arbres. Tourner l'arbre de l'accessoire jusqu'à ce que le bouton de verrouillage s'engage dans le trou de positionnement.

NOTE : Si les boutons ne s'engagent pas complètement dans les trous de positionnement, les arbres ne sont pas solidement maintenus l'un dans l'autre. Tourner légèrement les arbres dans les deux sens jusqu'à ce que le bouton s'engage complètement.

- Serrer le bouton fermement.

AVERTISSEMENT :

S'assurer que le bouton est bien serré avant d'utiliser l'outil. Vérifier de temps à autre pour éviter le risque de blessures graves.

RETRAIT DE L'ACCESSOIRE DU BLOC MOTEUR

Retrait ou remplacement de l'accessoire :

- Arrêter le moteur ou du moteur électrique.
- Desserrer le bouton.
- Enfoncer le bouton et tourner les arbres pour retirer et séparer les extrémités.

UTILISATION

AVERTISSEMENT :

Ne pas laisser la familiarité avec este produit faire oublier la prudence. Ne pas oublier qu'une fraction de seconde d'inattention peut entraîner des blessures graves.

AVERTISSEMENT :

Toujours porter une protection oculaire avec écrans latéraux certifiée conforme à la norme ANSI Z87.1. Si cette précaution n'est pas prise, des objets peuvent être projetés dans les yeux et causer des lésions graves.

AVERTISSEMENT :

Ne jamais utiliser de lames ou de dispositifs à fléau, fil et cordes sur ce produit. Ne pas utiliser d'outils ou accessoires non recommandés par le fabricant pour cet produit. L'utilisation de pièces et accessoires non recommandés peut entraîner des blessures graves.

AVIS :

Avant chaque utilisation, inspecter au complet le produit afin de s'assurer qu'aucune pièce (vis, écrous, boulons, chapeaux, etc.) n'est endommagée, manquante ou desserrée. Serrer solidement toutes les pièces de fixation et les chapeaux et ne pas utiliser le produit tant que toutes les pièces manquantes ou endommagées n'ont pas été remplacées. Pour obtenir de l'aide, veuillez communiquer avec le service à la clientèle ou un centre de réparations qualifié.

APPLICATIONS

Cet produit peut être utilisé pour les application ci-dessous :

- Enlever aisément des mauvaises herbes et l'herbe du pourtour des porches, barrières, et des terrasses

LAME DE SECTIONNEMENT DE LIGNE

Voir les figures 4 et 5.

Ce taille-bordures est équipé d'une lame de sectionnement de ligne montée sur le déflecteur d'herbe. Pour obtenir une coupe optimale, faire progresser le fil jusqu'à ce qu'il soit coupé à la longueur correcte par la lame coupe-ligne. Le fil doit être avancé chaque fois que le moteur tourne à une vitesse supérieure à la normale ou lorsque la coupe devient moins efficace. Ceci permet de maintenir une efficacité maximum et de maintenir une longueur de fil suffisante pour avancer correctement.

Cette taille-bordure est actuellement réglée au 330 mm (13 po) largeur de coupe. Pour ajuster à une largeur de coupe de 381 mm (15 po) :

- Arrêter le moteur ou du moteur électrique.
- Desserrer la vis de la lame et tourne alors la lame de sectionnement du fil 180°.
- Serrer la vis de la lame.

UTILISATION

UTILISATION DU TAILLE-BORDURES

Voir la figure 6.

AVERTISSEMENT :

Le logement du moteur peut devenir chaud pendant l'utilisation du taille bordures à fil (sur les ensembles moteur à essence). Éviter de placer ou d'appuyer le bras, la main ou toute autre partie du corps contre le logement du moteur pendant l'utilisation du taille bordures. Tenir l'outil uniquement dans la position illustrée à la figure 6 en s'assurant qu'aucune partie du corps ne se trouve à proximité du logement du moteur. Un contact prolongé avec le logement du moteur peut entraîner des brûlures ou d'autres blessures.

AVERTISSEMENT :

Toujours tenir l'outil à sa droite. L'utilisation à gauche exposerait l'utilisateur aux surfaces chaudes, créant ainsi des risques de brûlures.

AVERTISSEMENT :

Pour éviter le contact avec les parties brûlantes, ne jamais travailler avec le bas du moteur au-dessus du niveau de la taille.

Tenir le taille-bordures avec la main droite sur la poignée arrière et la main gauche sur la poignée avant. Garder une prise ferme sur les deux poignées pendant le fonctionnement. Le taille-bordures doit être tenu dans une position confortable, la poignée arrière se trouvant à peu près à hauteur de la taille.

Toujours utiliser le taille bordures à plein régime si celui-ci est doté d'un ensemble moteur à essence, ou en appuyant complètement sur la gâchette s'il est doté d'un ensemble moteur sans fil ou électrique. Couper les herbes hautes de haut en bas. Ceci empêchera l'herbe de s'enrouler sur le tube de l'arbre moteur et la tête de coupe, ce qui pourrait causer des dommages dus à une surchauffe. Si l'herbe s'enroule sur la tête de coupe, **ARRÊTER LE MOTEUR**, débrancher le fil de bougie s'il s'agit d'un ensemble moteur à essence, retirer le bloc-piles de l'ensemble moteur sans fil ou débrancher la fiche de la source d'alimentation s'il s'agit d'un ensemble moteur électrique, et enlever l'herbe.

AVERTISSEMENT :

Toujours tenir le taille-bordures à l'écart de soi en maintenant une distance de sécurité entre le corps et l'équipement. Tout contact avec le boîtier ou avec la tête de coupe du taille-bordures peut causer des brûlures et / ou d'autres blessures graves.

CONSEILS DE COUPE

Voir les figures 6 et 7.

- Éviter les surfaces très chaudes en maintenant toujours l'outil à l'écart du corps. (Position de travail correcte illustrée à la figure 6.)
- Pour une efficacité maximum, garder le taille-bordures incliné vers la zone de coupe.
- Pour couper avec le taille-bordures à arbre droit, utiliser un mouvement de balayage de gauche à droite. Ceci évite que les débris soient projetés en direction de l'opérateur. Éviter de couper dans la zone dangereuse comme le montre l'illustration à la figure 7.
- Couper avec l'extrémité de la ligne; ne pas forcer la tête de coupe dans l'herbe non coupée.
- Les palissades en métal et en bois accélèrent l'usure de la ligne et peuvent la faire casser. Les murs en pierre et brique, trottoirs et pièces de bois peuvent user la ligne rapidement.
- Contourner les arbres et buissons. L'écorce des arbres, les moulures en bois, le lambrissage et les piquets de palissades peuvent être endommagés par la ligne.

AVANCE DE LA LIGNE DE COUPE AVEC LE SYSTÈME À CHOC REEL-EASY™

L'avance de la ligne est obtenue en tapant la tête de coupe sur le gazon, tout en laissant fonctionner le moteur à plein régime s'il s'agit d'un ensemble moteur à essence, ou en appuyant complètement sur la gâchette s'il s'agit d'un ensemble moteur sans fil ou électrique.

- Faire fonctionner le moteur à plein régime s'il s'agit d'un ensemble moteur à essence, ou en appuyant complètement sur la gâchette s'il s'agit d'un ensemble moteur sans fil ou électrique.
- Taper la tête de coupe sur le sol pour faire avancer la ligne. La ligne avance chaque fois que la tête de coupe est frappée sur le sol.
- Plusieurs frappes peuvent être nécessaires pour que la ligne parvienne à la lame coupe ligne
- Continuer le travail.

NOTE : Si la ligne devient trop courte, il peut ne pas être possible de la faire avancer en tapant la tête de coupe sur le sol. Dans ce cas, **ARRÊTER LE MOTEUR**, débrancher le fil de bougie s'il s'agit d'un ensemble moteur à essence, retirer le bloc-piles de l'ensemble moteur sans fil ou débrancher la fiche de la source d'alimentation s'il s'agit d'un ensemble moteur électrique, et tirer la ligne à la main.

AVANCE MANUELLE DE LA LIGNE DE COUPE

Arrêter le moteur et débrancher le fil de bougie pour ensemble moteur à essence, retirer le bloc-piles de l'ensemble moteur sans fil ou débranchez la scie de l'alimentation pour blocs moteur électrique. Appuyer sur la retenue de bobine et tirer sur la ligne pour sortir la longueur désirée.

ENTRETIEN

AVERTISSEMENT :

Avant d'inspecter, nettoyer ou entretenir l'équipement, couper le moteur, attendre que toutes les pièces en mouvement s'arrêtent, déconnecter le fil de la bougie et l'écarter de la bougie ou débranchez la scie de l'alimentation. Le non-respect de ces instructions peut entraîner des blessures graves ou des dégâts matériels.

AVERTISSEMENT :

Toujours porter une protection oculaire avec écrans latéraux certifiée conforme à la norme ANSI Z87.1. Si cette précaution n'est pas prise, des objets peuvent être projetés dans les yeux et causer des lésions graves.

AVERTISSEMENT :

Lors de l'entretien, utiliser des pièces de rechange fabriqué pour être conforme ou supérieur les spécifications du produit original. L'usage de toute autre pièce pourrait créer une situation dangereuse ou endommager l'outil.

AVIS :

Inspecter périodiquement au complet le produit afin de s'assurer qu'aucune pièce (vis, écrous, boulons, chapeaux, etc.) n'est endommagée, manquante ou desserrée. Serrer solidement toutes les pièces de fixation et les chapeaux et ne pas utiliser le produit tant que toutes les pièces manquantes ou endommagées n'ont pas été remplacées. Pour obtenir de l'aide, veuillez communiquer avec le Service à la clientèle ou un centre de réparations qualifié.

ENTRETIEN GÉNÉRAL

Éviter d'utiliser des solvants pour le nettoyage des pièces en plastique. La plupart des matières plastiques peuvent être endommagées par divers types de solvants du commerce. Utiliser un chiffon propre pour éliminer la saleté, la poussière, l'huile, la graisse, etc.

AVERTISSEMENT :

Ne jamais laisser de liquides tels que le fluide de freins, l'essence, les produits à base de pétrole, les huiles pénétrantes, etc., entrer en contact avec les pièces en plastique. Les produits chimiques peuvent endommager, affaiblir ou détruire le plastique, ce qui peut entraîner des blessures graves.

REPLACEMENT DE LA BOBINE AVANCE DE LA LIGNE DE COUPE À TAPANT REEL-EASY™

Voir les figures 8 à 11.

Si seule la ligne est remplacée, voir **Remplacement de la ligne**, plus loin dans ce manuel.

Pour moteurs à essence, utiliser une ligne monofilament de 2,0 mm (0,080 po) ou 2,4 mm (0,095 po) de diamètre. Pour moteurs sans fil ou électrique, utiliser exclusivement une ligne monofilament de 2,0 mm (0,080 po) de diamètre.

- Arrêter le moteur et débrancher le fil de bougie pour ensemble moteur à essence, retirer le bloc-piles de l'ensemble moteur sans fil ou débranchez la scie de l'alimentation pour blocs moteur électrique. Maintenir la tête de coupe et retirer la retenue de bobine.

- Retirer la bobine vide de la tête de coupe.

NOTE : Il n'est pas nécessaire de retirer le logement de la tête de coupe de l'arbre d'entraînement.

- Insérer la nouvelle bobine dans la tête de coupe.

NOTE : S'assurer que les flèches de la bobine sont alignées avec les œillets du logement de la tête de coupe. Abaisser et maintenir ensemble à cette position la bobine et le logement tout en complétant l'installation.

- Réinstaller la retenue de bobine afin de la fixer solidement.

- Installer le fil tel que décrit à la section intitulée **Remplacement du fil**.

REPLACEMENT DE LIGNE

Voir les figures 12 et 13.

- Arrêter l'outil et débrancher le fil de bougie pour ensemble moteur à essence, retirer le bloc-piles de l'ensemble moteur sans fil ou débranchez la scie de l'alimentation pour blocs moteur électrique.

- Au besoin, tourner la bobine dans le sens horaire afin d'aligner les flèches de la bobine avec les œillets du logement de la tête de coupe.

- Couper un morceau d'une longueur de 3 m (10 pi) de chaîne monofilament. Insérer le fil dans l'œillet du logement du taille-bordures. Pousser jusqu'à ce que l'extrémité du fil sorte de l'autre côté de la tête de coupe. Tirer sur le fil de l'autre côté de façon à laisser deux segments de fil égaux de chaque côté de la bobine.

- Tourner la bobine dans le sens horaire pour enrouler le fil autour de celle-ci jusqu'à ce qu'environ 152,4 mm (6 po) de fil apparaisse de chaque côté de la bobine.

- Appuyer sur la retenue de bobine tout en tirant sur la ou les ligne(s) pour les avancer manuellement et vérifier le montage de la tête de coupe.

ENTRETIEN

INSTALLATION DE L'ANNEAU DE SUSPENSION

Voir la figure 14.

Il existe deux façons de suspendre l'accessoire pour le remisage.

- Pour installer l'anneau de suspension, appuyer sur le bouton et emboîter le capuchon sur l'extrémité de l'arbre d'accessoire. Tourner légèrement le capuchon dans un sens et l'autre pour enclencher le bouton.
- Le trou secondaire de l'arbre d'accessoire peut également être utilisé pour suspendre l'accessoire.

REMISAGE DE L'ACCESSOIRE

- Ranger l'accessoire dans un endroit bien aéré inaccessible aux enfants.
- La tenir à l'écart de produits corrosifs, tels que les produits chimiques de jardinage et le sel de dégivrage.

PIÈCES DE REMPLACEMENT

Fil de remplacement:

Fil torsadé de 2,0 mm (0,08 po) (rouleau)AC04138

Fil torsadé de 2,0 mm (0,08 po) (précoupé)AC04139

Disponible sur le site www.homedepot.com

DÉPANNAGE

| PROBLÈME | CAUSE POSSIBLE | SOLUTION |
|---|---------------------------------------|---|
| Le ligne n'avancera pas si une tête à avance automatique est utilisée | Ligne soudée sur elle-même. | Lubrifier avec un produit au silicone. |
| | Pas assez de ligne sur la bobine. | Installer une nouvelle ligne. Voir Remplacement de ligne , plus haut dans ce manuel. |
| | Ligne trop courte. | Tirez la ligne tout en appuyant sur le bouton. |
| | Ligne emmêlée sur la bobine. | Retirer la ligne du de la bobine et la rembobiner. Voir Remplacement de la ligne , plus haut dans ce manuel. |
| L'herbe s'enroule sur le tube de l'arbre moteur et la tête de coupe | Coupe de hautes herbes au ras du sol. | Couper les herbes hautes du haut en bas. |



NOUS APPELER D'ABORD

Pour toute question concernant l'utilisation ou l'entretien utiliser ce produit, appeler le service d'assistance téléphonique Ryobi!

Le taille-bordures à été entièrement testé avant expédition pour assurer la complète satisfaction de l'utilisateur.

Ce produit est accompagné d'une garantie limitée de trois (3) ans pour utilisation personnel, familiales ou domestiques (90 jours pour utilisation affaires ou commerciaux). Pour obtenir les détails de la garantie, visiter le site www.ryobitools.com ou appeler (sans frais) au 1-800-860-4050.

REGLAS DE SEGURIDAD GENERALES



ADVERTENCIA:

Lea y comprenda todas las instrucciones. El incumplimiento de las instrucciones señaladas abajo puede causar descargas eléctricas, incendios y lesiones serias.

GUARDE ESTAS INSTRUCCIONES

- Lea detenidamente estas instrucciones y las instrucciones para su cabezal motor antes de utilizar el accesorio para recortar de eje recto.
- Familiarícese con la herramienta. Lea y comprenda el manual del operador y observe las advertencias y etiquetas de instrucciones adheridas a la herramienta.
- No permita que utilicen esta unidad niños ni personas carentes de la debida instrucción para su manejo.
- Siempre póngase protección ocular con protección lateral con la marca de cumplimiento de la norma ANSI Z87.1.
- Póngase pantalones, botas y guantes gruesos. No se ponga ropa holgada, pantalones cortos, joyería de ningún tipo ni ande descalzo.
- Recójase el cabello si lo tiene largo, de manera que le quede arriba de los hombros para evitar que se enrede en las piezas en movimiento.
- Mantenga a todos los circunstantes, niños y animales por lo menos a 15 m (50 pies) de distancia. Debe exhortarse a los circunstantes a ponerse protección para los ojos.
- Permanezca alerta, preste atención a lo que esté haciendo, y aplique el sentido común al utilizar herramientas eléctricas. No utilice la herramienta si está cansado o se encuentra bajo los efectos de alguna droga, alcohol o medicamento. Un momento de inatención al utilizar una herramienta eléctrica puede causar lesiones corporales serias.




- No utilice este producto si no hay luz suficiente.
- No estire el cuerpo para alcanzar mayor distancia. Mantenga una postura firme y buen equilibrio en todo momento. Una postura firme y un buen equilibrio permiten un mejor control de la herramienta en situaciones inesperadas.
- Mantenga todas las partes del cuerpo alejadas de toda pieza móvil.
- No toque las áreas alrededor del silenciador o del cilindro del cabezal motor. Estas piezas se calientan durante el funcionamiento. La inobservancia de esta advertencia puede causar lesiones serias.
- Siempre apague el motor y desconecte el cable de la bujía antes de efectuar cualquier tarea de ajuste o reparación, excepto ajustes del carburador.
- Inspeccione la unidad antes de cada uso para verificar que no haya pernos sueltos no partes dañadas o faltantes. Efectúe las correcciones necesarias antes de utilizar el accesorio para recortar. La inobservancia de esta advertencia puede causar lesiones serias.
- Sólo utilice piezas de repuesto del fabricante original. De lo contrario puede originarse un mal desempeño de la herramienta y lesiones corporales, además de anularse la garantía.
- En ninguna circunstancia, use accesorio o accesorio alguno en este producto, que no se haya suministrado con el producto mismo, o que no esté identificado como apropiado para el uso con este producto en el manual del operador.
- Evite los entornos peligrosos de trabajo. No use el accesorio en lugares húmedos o mojados. No lo use en la lluvia.
- Utilice el accesorio adecuado para la tarea. No utilice este producto para ninguna función diferente de las especificadas.

REGLAS DE SEGURIDAD ESPECÍFICAS









- Reemplace el cabezal del hilo si estuviese agrietado, astillado o dañado de alguna manera. Asegúrese de que el cabezal del hilo esté debidamente instalado y firmemente asegurado. La inobservancia de esta advertencia puede causar lesiones corporales serias.
 - Asegúrese que todos los deflectores y las asas estén acoplados debidamente y de manera segura.
 - Utilice únicamente la cuerda no metálica recomendada por el fabricante. Nunca utilice alambre, cable metálico o cuchillas trilladoras; todos estos pueden romperse y convertirse en peligroso proyectiles.
 - Nunca utilice la recortadora de hilo si el deflector de césped no está en posición y en buenas condiciones de funcionamiento.
 - Al usar la recortadora, sujétela firmemente en ambas asas.
 - Mantenga el cabezal del hilo por debajo del nivel de la cintura. Nunca corte con el cabezal del hilo a más de 76 cm (30 pulg.) del suelo.
 - Despeje el área de trabajo cada vez antes de utilizar esta herramienta. Retire todos los objetos tales como piedras, vidrios rotos, clavos, alambre o cuerdas que pudiesen resultar lanzados o enredados en el hilo de corte.
 - Guarde estas instrucciones. Consúltelas con frecuencia y empléelas para instruir a otras personas que puedan utilizar esta herramienta. Si presta a alguien esta herramienta, facilítele también las instrucciones con el fin de evitar un uso indebido del producto y posibles lesiones.
- NOTA: VEA LA MANUAL DEL OPERADOR DE CABEZAL DE MOTOR PARA REGLAS DE SEGURIDAD ESPECÍFICAS ADICIONALES.**

SÍMBOLOS

Las siguientes palabras de señalización y sus significados tienen el objeto de explicar los niveles de riesgo relacionados con este producto.

| SÍMBOLO | SEÑAL | SIGNIFICADO |
|---|---------------------|---|
|  | PELIGRO: | Indica una situación peligrosa, la cual, si no se evita, causará la muerte o lesiones serias. |
|  | ADVERTENCIA: | Indica una situación peligrosa, la cual, si no se evita, podría causar la muerte o lesiones serias. |
|  | PRECAUCIÓN: | Indica una situación peligrosa la cual, si no se evita, puede causar lesiones leves o moderadas. |
| | AVISO: | (Sin el símbolo de alerta de seguridad) Indica la información que se considera importante, pero no relacionada con lesiones potenciales (por ej. en relación a daños a la propiedad). |

Es posible que se empleen en este producto algunos de los siguientes símbolos. Le suplicamos estudiarlos y aprender su significado para mayor seguridad al manejar este producto.

| SYMBOLO | NOMBRE | EXPLICACIÓN |
|---|--|--|
|  | Símbolo de alerta de seguridad | Indica un peligro posible de lesiones personales. |
|  | Lea el manual del operador | Para reducir el riesgo de lesiones, el usuario debe leer y comprender el manual del operador antes de usar este producto. |
|  | Póngase protección para los ojos y los oídos | Siempre póngase protección ocular con la marca de cumplimiento de la norma ANSI Z87.1 junto con protección para los oídos. |
|  | Póngase guantes | Cuando utilice este equipo póngase guantes protectores antideslizantes de uso pesado. |
|  | Póngase calzado de seguridad | Cuando utilice este equipo póngase zapatos de seguridad antideslizantes. |
|  | Mantenga alejadas a las personas presentes | Mantenga alejados a los observadores a un mínimo de 15 m (50 pies) de distancia. |
|  | Rebote | Cualquier objeto lanzado puede rebotar y producir lesiones personales o daños físicos. |
|  | No instale hoja de corte | No instale ni utilice ningún tipo de hoja de corte en ningún producto con este símbolo. |

CARACTERÍSTICAS

ESPECIFICACIONES DEL PRODUCTO

| | |
|---|--|
| Anchura del corte del hilo | 330 y 381 mm (13 pulg. y 15 pulg.) |
| Diámetro del hilo: | |
| Cabezal motor a gas | 2,0 mm a 2,4 mm max. (0,08 pulg. a 0,095 pulg. max.) |
| Cabezal motor inalámbrico o eléctrico | 2,0 mm max. (0,08 pulg. max.) |

FAMILIARÍCESE CON EL ACCESORIO PARA RECORTAR DE EJE RECTO

Vea la figura 1.

Para usar este producto con la debida seguridad se debe comprender la información indicada en la producto misma y en este manual, y se debe comprender también el trabajo que intenta realizar. Antes de usar este producto, familiarícese con todas las características de funcionamiento y normas de seguridad del mismo.

DIÁMETRO DE CORTE AJUSTABLE

El diámetro de corte se puede ajustar de 330 mm (13 pulg.) a 381 mm (15 pulg.) haciendo girar la cuchilla de corte del hilo.

DEFLECTOR DE PASTO

La recortadora incorpora un deflector de pasto que ayuda a proteger al operador de los desechos lanzados por la herramienta.

ARMADO

DESEMPAQUETADO

Este producto debe armarse.

- Extraiga cuidadosamente de la caja la producto y los accesorios. Asegúrese de que estén presentes todos los artículos enumerados en la lista de empaquetado.

ADVERTENCIA:

No utilice este producto si alguna pieza incluida en la Lista de contenido ya está ensamblada al producto cuando lo desempaqueta. El fabricante no ensambla las piezas de esta lista en el producto. Éstas deben ser instaladas por el usuario. El uso de un producto que puede haber sido ensamblado de forma inadecuada podría causar lesiones personales graves.

- Inspeccione cuidadosamente la producto para asegurarse de que no haya sufrido ninguna rotura o daño durante el transporte.
- No deseche el material de empaquetado hasta que haya inspeccionado cuidadosamente la producto y la haya utilizado satisfactoriamente.
- Si hay piezas dañadas o faltantes, le suplicamos llamar al 1-800-860-4050, donde le brindaremos asistencia.

LISTA DE EMPAQUETADO

Accesorio para cortar de eje recto
Deflector de pasto
Linea de repuesto trenzada de 2 mm (0,08 pulg.)
Manual del operador

ADVERTENCIA:

Si falta o está dañada alguna pieza, no utilice este producto sin haber reemplazado la pieza. Usar este producto con partes dañadas o faltantes puede causar lesiones serias al operador.

ADVERTENCIA:

No intente modificar esta producto ni hacer accesorios no recomendados para la misma. Cualquier alteración o modificación constituye maltrato el cual puede causar una condición peligrosa, y como consecuencia posibles lesiones corporales serias.

ADVERTENCIA:

No conecte la unidad al cabezal motor antes de terminar de armarla. De lo contrario la unidad puede ponerse en marcha accidentalmente, con el consiguiente riesgo de lesiones serias.

MONTAJE DEL DEFLECTOR DE PASTO

Vea la figura 2.

ADVERTENCIA:

La cuchilla de cortar el hilo del deflector de pasto está afilada. Evite tocar la cuchilla. Si no evita tal contacto puede originarse lesiones corporales serias.

NOTA: Instale el deflector de pasto antes de acoplar el accesorio al cabezal motor.

- Retire el tornillo de mariposa del deflector de pasto.
- Introduzca la orejeta del soporte de montaje en la ranura del deflector de pasto.
- Alinee el orificio del tornillo en el soporte de montaje con orificio del tornillo del deflector de pasto.
- Introduzca el tornillo de mariposa a través del soporte de montaje y en el deflector de pasto.
- Apriete firmemente el tornillo.

ARMADO

ACOPLAMIENTO DEL CABEZAL DE POTENCIA AL ACCESORIO PARA RECORTAR DE EJE RECTO

Vea la figura 3.

ADVERTENCIA:

Nunca una ni ajuste ningún accesorio mientras esté funcionando el cabezal motor. Si no se detiene el motor o motor eléctrico podría causar lesiones personales graves.

El accesorio para recortar de eje recto se acopla al cabezal de potencia por medio de un dispositivo acoplador.

- Quite el tapa de la suspensión del eje del accesorio.
- Afloje la perilla en el acoplador del eje del cabezal motor.
- Oprima el botón situado en el accesorio para recortar de eje recto. Alinee el botón con el hueco guía situado en el acoplador del eje del cabezal motor y con un movimiento de deslizamiento una los dos ejes. Gire el accesorio para recortar de eje recto hasta que el botón se trabe en el orificio de posicionamiento.

NOTA: Si los botones no se sueltan completamente en el orificio de posicionamiento, significa que los ejes no están bien asegurados en su lugar. Gire levemente los ejes de un lado a otro hasta que el botón quede asegurado en su lugar.

- Apriete firmemente la perilla.

ADVERTENCIA:

Asegúrese de que esté bien apretada la perilla antes de utilizar el equipo. Verifique periódicamente el apriete de la misma durante el uso para evitar lesiones serias.

DESMONTAJE DEL ACCESORIO DEL CABEZAL MOTOR

Para desmontar o cambiar el accesorio:

- Apague el motor o el motor eléctrico.
- Afloje la perilla.
- Oprima el botón y gire los ejes para separar los extremos de los mismos.

FUNCIONAMIENTO

ADVERTENCIA:

No permita que su familiarización con las productos lo vuelva descuidado. Tenga presente que un descuido de un instante es suficiente para causar una lesión grave.

ADVERTENCIA:

Siempre póngase protección ocular con protección lateral con la marca de cumplimiento de la norma ANSI Z87.1. La inobservancia de esta advertencia puede permitir que los objetos lanzados hacia los ojos puedan provocar lesiones graves.

ADVERTENCIA:

Nunca use hojas, dispositivos móviles, alambre ni cuerdas en este producto. No utilice ningún accesorio o accesorio no recomendado por el fabricante de esta producto. El empleo de accesorios o accesorios no recomendados podría causar lesiones serias.

AVISO:

Antes de cada uso, inspeccione todo el producto para detectar partes dañadas, faltantes o sueltas, como tornillos, tuercas, pernos, tapas, etc. Apriete firmemente todos los sujetadores y las tapas y no accione este producto hasta que todas las partes faltantes o dañadas sean reemplazadas. Póngase en contacto con el servicio al cliente o con un centro de servicio calificado para obtener ayuda.

APLICACIONES

Este producto puede emplearse para los fines enumerado abajo:

- Realizar con suma facilidad el recorte de céspedes y malezas alrededor de porches, cercas, y terrazas

CUCHILLA DE CORTE DEL HILO

Vea las figuras 4 y 5.

Esta recortadora está equipada con una cuchilla de corte del hilo instalada en el deflector de pasto. Para obtener mejores resultados en el recorte, avance el hilo hasta que la cuchilla lo corte a la longitud apropiada. Avance el hilo siempre que escuche que el motor está funcionando más rápido de lo normal, o cuando disminuya la eficiencia del recorte. Esto mantendrá un desempeño óptimo y mantendrá el hilo a la suficiente longitud para que avance correctamente.

Este recortadora de hilo es puesto actualmente en el 330 mm (13 pulg.) ancho de corte. Para ajustar a una ancho de corte de 381 mm (15 pulg.):

- Apague el motor o el motor eléctrico.
- Afloje el tornillo de la hoja entonces gira la hoja 180°.
- Apriete el tornillo de la hoja.

FUNCIONAMIENTO

MANEJO DE LA RECORTADORA

Vea la figura 6.

ADVERTENCIA:

Es posible que la carcasa del motor se caliente mientras la recortadora de hilo esté en uso. No apoye ni coloque el brazo, la mano ni ninguna parte del cuerpo contra la carcasa del motor mientras la recortadora esté en uso. Sólo sostenga la recortadora como se muestra en la figura 6 con todas las partes del cuerpo alejadas de la carcasa del motor. El contacto prolongado con la carcasa del motor puede causar quemaduras u otras lesiones.

ADVERTENCIA:

Siempre coloque la unidad al lado derecho de usted. Si se utiliza la unidad colocándola en el lado izquierdo del cuerpo, el usuario expone éste a superficies calientes, lo cual puede causar lesiones por quemadura.

ADVERTENCIA:

Para evitar quemaduras causadas por tocar superficies calientes, al utilizar esta unidad nunca coloque la parte inferior de la misma arriba del nivel de la cintura.

Sujete la recortadora con la mano derecha en el mango trasero y coloque la mano izquierda en el mango delantero. Sujete firmemente la unidad con ambas manos durante la operación. Se recomienda sujetar la recortadora en una posición cómoda, con el mango trasero a la altura de la cadera.

Para los cabezales motores a gas, accione siempre la recortadora a toda marcha o presione el gatillo del interruptor por completo para los cabezales motores inalámbrico o eléctricos. Corte la hierba alta desde la parte superior hacia abajo. Esto evitará que la hierba se enrolle alrededor del alojamiento del eje y del cabezal del hilo que pudiese causar daño por calentamiento excesivo. Si la hierba se enrolla alrededor del cabezal del hilo, DETENGA EL MOTOR, desconecte el cable de la bujía para los cabezales motores a gas, retire el paquete de baterías de las cabezal motores inalámbrico o desconecte la clavija del suministro de corriente para los cabezales motores eléctricos, y desprenda la hierba.

ADVERTENCIA:

Siempre sujete la recortadora de hilo lejos del cuerpo, manteniendo un espacio entre el cuerpo y la herramienta. Cualquier contacto del cuerpo con la armazón o el cabezal de corte de la recortadora de hilo puede producir quemaduras y/o otras lesiones serias.

SUGERENCIAS PARA CORTAR

Vea las figuras 6 y 7.

- Evite tocar las superficies calientes de la herramienta; para ello, manténgala lejos del cuerpo. (La posición correcta de manejo de la herramienta se muestra en la figura 6).
- Mantenga la recortadora inclinada hacia el área de corte; ésta es la mejor área de corte.
- La recortadora de eje curvo corta cuando se pasa la unidad de izquierda a derecha. La recortadora de eje recto corta cuando se pasa la unidad de izquierda a derecha. De esta manera se evita el lanzamiento de desechos hacia el operador. Evite cortar en el área peligrosa mostrada en la ilustración en la figura 7.
- Use la punta del hilo para efectuar el recorte; no fuerce el cabezal del hilo hacia la hierba sin cortar.
- Las cercas de alambre y de estacas causa desgaste adicional en el hilo, incluso la ruptura. Los muros de piedra y de ladrillo, los cordones y la madera pueden gastar rápidamente el hilo.
- Evite el contacto con árboles y los arbustos. La corteza de los árboles, las molduras de madera, los revestimientos de las paredes y los postes de las cercas pueden resultar dañados fácilmente por el hilo.

AVANCE DEL HILO UTILIZANDO EL SISTEMA DE AVANCE DE HILO POR GOLPE REEL-EASY™

El avance del hilo se controla golpeando levemente el cabezal del hilo sobre la hierba mientras hace funcionar el motor a toda marcha para los cabezales motores a gas o presiona el gatillo del interruptor por completo para los cabezales motores inalámbrico o eléctricos.

- Para los cabezales motores a gas, haga funcionar el motor a toda marcha o presione el gatillo del interruptor por completo para los cabezales motores inalámbrico o eléctricos.
- Golpee levemente el cabezal sobre el suelo para hacer avanzar el hilo. El hilo avanza cada vez que se golpea el cabezal.
- Quizá se necesiten varios golpes hasta que el hilo haga contacto con la cuchilla de corte.
- Reanude el recortado.

NOTA: Si el hilo se gasta hasta quedar muy corto quizá no pueda avanzar el hilo tras golpear el cabezal contra el suelo. Si así fuese, DETENGA EL MOTOR, desconecte el cable de la bujía para los cabezales motores a gas, retire el paquete de baterías de las cabezales motores inalámbrico o desconecte la clavija del suministro de corriente para los cabezales motores eléctricos y avance manualmente el hilo.

AVANCE MANUALMENTE EL HILO

Apagar la unidad y desconecte el cable de la bujía para cabezal de potencia a gas, retire el paquete de baterías de las cabezales motores inalámbrico o desconecte la herramienta del suministro de corriente para cabezals eléctrico. Empuje hacia abajo el retén del carrete mientras tira del hilo, o hilos, según sea el caso, para avanzar manualmente el hilo.

MANTENIMIENTO



ADVERTENCIA:

Antes de inspeccionar, limpiar o dar mantenimiento a la máquina, apague el motor, espere hasta que se detengan todas las piezas en movimiento, desconecte el cable de la bujía y apártelo de la bujía o desconecte la herramienta del suministro de corriente. El incumplimiento de estas instrucciones puede provocar lesiones personales graves o daños materiales.



ADVERTENCIA:

Siempre póngase protección ocular con protección lateral con la marca de cumplimiento de la norma ANSI Z87.1. La inobservancia de esta advertencia puede permitir que los objetos lanzados hacia los ojos puedan provocar lesiones graves.



ADVERTENCIA:

Al dar servicio a la unidad, utilice piezas de repuesto que cumplen o superan las especificaciones del producto original. El empleo de piezas diferentes podría causar un peligro o dañar el producto.

AVISO:

Inspeccione periódicamente todo el producto para detectar partes dañadas, faltantes o sueltas, como tornillos, tuercas, pernos, tapas, etc. Apriete firmemente todos los sujetadores y las tapas y no accione este producto hasta que todas las partes faltantes o dañadas sean reemplazadas. Póngase en contacto con el servicio al cliente o con un centro de servicio calificado para obtener ayuda.

MANTENIMIENTO GENERAL

Evite el empleo de solventes al limpiar piezas de plástico. La mayoría de los plásticos son susceptibles a diferentes tipos de solventes comerciales y pueden resultar dañados. Utilice paños limpios para eliminar la suciedad, el polvo, el aceite, la grasa, etc.



ADVERTENCIA:

No permita en ningún momento que fluidos para frenos, gasolina, productos a base de petróleo, aceites penetrantes, etc., lleguen a tocar las piezas de plástico. Los productos químicos pueden dañar, debilitar o destruir el plástico, lo cual podría causar lesiones serias.

REEMPLAZO DEL CARRETE SISTEMA DE AVANCE DE HILO POR GOLPE REEL-EASY™

Vea las figuras 8 a 11.

Si únicamente va a reabastecer el hilo, consulte la sección **Reabastecimiento del hilo** más adelante en este manual.

Para los cabezales motores a gas, use hilo monofilar de 2,0 mm (0,080 pulg.) o 2,4 mm (0,095 pulg.) de diámetro. Para los cabezales motores inalámbrico o eléctricos, use únicamente hilo monofilar de 2,0 mm (0,080 pulg.) de diámetro.

- Apague la unidad y desconecte el cable de la bujía para cabezal de potencia a gas, retire el paquete de baterías de las cabezales motores inalámbrico o desconecte la herramienta del suministro de corriente para cabezales eléctrico. Sujete el cabezal del hilo y desenrosque el retén del carrete.

- Retire el carrete vacío del cabezal del hilo.

NOTA: No es necesario quitar el alojamiento del cabezal del hilo del eje de impulsión.

- Inserte el nuevo carrete en el cabezal del hilo.

NOTA: Asegúrese de que las flechas en el carrete estén alineadas con los ojillos en el alojamiento del cabezal del hilo. Presione hacia abajo y mantenga presionado el carrete y el alojamiento al mismo tiempo mientras se completa la instalación.

- Vuelva a colocar el retén del carrete para asegurarlo.

- Coloque el hilo como se describe en la sección **Reabastecimiento del hilo**.

REABASTECIMIENTO DEL HILO

Vea las figuras 12 y 13.

- Apagar la unidad y desconecte el cable de la bujía para cabezal de potencia a gas, retire el paquete de baterías de las cabezales motores inalámbrico o desconecte la herramienta del suministro de corriente para cabezales eléctrico.

- Gire el carrete hacia la derecha según sea necesario para alinear las flechas del carrete con los ojillos en el alojamiento del cabezal del hilo.

- Corte una pieza de hilo monofilar de 3 m (10 pies) de largo. Inserte el hilo en el ojillo ubicado en el alojamiento de la recortadora de hilo. Empuje hasta que el extremo del hilo salga por el otro lado del cabezal del hilo. Tire del hilo del otro lado hasta que obtenga la misma cantidad de hilo en ambos lados del carrete.

- Gire el carrete hacia la derecha para enrollar el hilo en éste hasta obtener aproximadamente 152,4 mm (6 pulg.) de hilo en cada lado.

- Presione el retén del carrete a la vez que tira del hilo, o hilos, para avanzar manualmente el hilo y para verificar el ensamblaje correcto del cabezal del hilo.

MANTENIMIENTO

MONTAJE DEL COLGADOR DE ALMACENAMIENTO

Vea la figura 14.

Hay dos formas de colgar el accesorio para guardarlo.

- Para usar la tapa de suspensión, oprima el botón y coloque la tapa en el extremo del eje del accesorio. Gire levemente la tapa de un lado a otro hasta que quede asegurado en su lugar el botón.
- El orificio secundario del eje del accesorio también se puede utilizar para colgarlo.

ALMACENAMIENTO DEL ACCESORIO

- Almacene el accesorio en un espacio bien ventilado que sea inaccesible para los niños.
- Evite que la unidad entre en contacto con agentes corrosivos como las sustancias químicas para el jardín y las sales para derretir el hielo.

PIEZAS DE REPUESTO

Línea de repuesto:

Trenzada de 2 mm (0,08 pulg.) (a granel).....AC04138

Trenzada de 2 mm (0,08 pulg.) (precortado).....AC04139

Disponibles en homedepot.com

CORRECCIÓN DE PROBLEMAS

| PROBLEMA | CAUSA POSIBLE | SOLUCIÓN |
|---|--|---|
| El hilo no avanza cuando se usa el cabezal con alimentación automática | El hilo se pegó a sí mismo. | Lubrique con rociador de silicón. |
| | No hay suficiente hilo en el carrete. | Instale más hilo. Vea la sección Reemplazo del hilo arriba en este manual. |
| | El hilo se desgastó hasta quedar muy corto. | Tire de hilo secuencias mientras que presiona el botón. |
| El césped se enrolla alrededor del alojamiento del eje y del cabezal del hilo | El hilo está enredado en el carrete. | Retire el hilo del carrete y vuelva a enrollarlo. Vea la sección Reemplazo del hilo arriba en este manual. |
| | Se está cortando la hierba alta a nivel del suelo. | Corte la hierba alta desde la parte superior hacia abajo. |



LLÁMENOS PRIMERO

Si tiene preguntas sobre el funcionamiento o el mantenimiento este producto, llame al teléfono de atención al consumidor de Ryobi!

La recortadora ha sido probada enteramente antes de embarcarse para asegurar la satisfacción del consumidor.

Este producto tiene una garantía limitada de tres años para fines personales, familiares o domésticos (90 días para usos trabajo o comercial). Para obtener detalles sobre la garantía, diríjase a www.ryobitools.com o llame sin cargo al 1-800-860-4050.



OPERATOR'S MANUAL

MANUEL D'UTILISATION / MANUAL DEL OPERADOR

STRAIGHT SHAFT TRIMMER ATTACHMENT

ARBRE DROIT ACCESSOIRE TAILLE-BORDURES

ACCESORIO PARA RECORTAR DE EJE RECTO

RYSST44

• **PARTS AND SERVICE:** Prior to requesting service or purchasing replacement parts, please obtain your item, manufacturing, and serial numbers from the product data plate.

ITEM NO. _____

MANUFACTURING NO. _____

SERIAL NO. _____

HOW TO OBTAIN REPLACEMENT PARTS: Replacement parts can be purchased online at www.ryobitools.com or by calling 1-800-860-4050. Replacement parts can also be obtained at one of our service centers.

HOW TO LOCATE A SERVICE CENTER: Service centers can be located online at www.ryobitools.com or by calling 1-800-860-4050.

HOW TO OBTAIN CUSTOMER OR TECHNICAL SUPPORT: To obtain customer or technical support please contact us at 1-800-860-4050.

RYOBI is a registered trademark of Ryobi Limited and is used pursuant to a license granted by Ryobi Limited.

• **PIÈCES ET SERVICE :** Avant de faire la demande de service ou l'achat de pièces de remplacement, veuillez obtenir le numéro d'article, le numéro de fabrication et le numéro de série à partir de la plaque de données du produit.

NUMÉRO D'ARTICLE _____

NUMÉRO DE FABRICATION _____

NUMÉRO DE SÉRIE _____

COMMENT OBTENIR LES PIÈCES DE REMPLACEMENT : Les pièces de remplacement peuvent être achetées en ligne sur le site www.ryobitools.com ou par téléphone au 1-800-860-4050. Les pièces de remplacement peuvent être obtenues à un de nos centres de service.

COMMENT TROUVER UN CENTRE DE SERVICE : Les centres de service peuvent être localisés en ligne au www.ryobitools.com ou en téléphonant au 1-800-860-4050.

COMMENT OBTENIR DE L'AIDE EN CONTACTANT LE SERVICE À LA CLIENTÈLE : Pour contacter le service à la clientèle pour une question technique ou pour tout autre renseignement, veuillez nous téléphoner au 1-800-860-4050.

RYOBI est une marque déposée de Ryobi Limited et est utilisée en vertu d'une licence accordée par Ryobi Limited.

• **PIEZAS DE REPUESTO Y SERVICIO:** Antes de solicitar servicio técnico o comprar piezas de repuesto, obtenga su número de artículo, el número de fabricación y el número de serie de la placa de datos del producto.

NÚMERO DE ARTÍCULO _____

NÚMERO DE FABRICACIÓN _____

NÚMERO DE SERIE _____

CÓMO OBTENER PIEZAS DE REPUESTO: Las piezas de repuesto se pueden comprar en nuestro sitio en la red mundial, en la dirección www.ryobitools.com o llamando al 1-800-860-4050. Las piezas de repuesto también se pueden obtener en uno de nuestros centros de servicio.

CÓMO LOCALIZAR UN CENTRO DE SERVICIO: Puede encontrar los centros de servicio visitando nuestro sitio en la red mundial, en la dirección www.ryobitools.com or by calling 1-800-860-4050.

CÓMO OBTENER SERVICIO O ASISTENCIA TÉCNICA AL CONSUMIDOR: Para obtener servicio o asistencia técnica al consumidor, sírvase comunicarse con nosotros llamando al 1-800-860-4050.

RYOBI es una marca registrada de Ryobi Limited y se utiliza conforme a una licencia otorgada por Ryobi Limited.

TECHTRONIC INDUSTRIES POWER EQUIPMENT

991000562
3-26-18 (REV:02)

1428 Pearman Dairy Road, Anderson, SC 29625 USA
1-800-860-4050 • www.ryobitools.com



EXPAND-IT
ATTACHMENTS



OPERATOR'S MANUAL

MANUEL D'UTILISATION

MANUAL DEL OPERADOR

STRAIGHT SHAFT

TRIMMER ATTACHMENT

ARBRE DROIT ACCESSOIRE

TAILLE-BORDURES

ACCESORIO PARA RECORTAR

DE EJE RECTO

RYSST44



Your trimmer attachment has been engineered and manufactured to our high standard for dependability, ease of operation, and operator safety. When properly cared for, it will give you years of rugged, trouble-free performance.

WARNING: To reduce the risk of injury, the user must read and understand the operator's manual before using this product.

Thank you for your purchase.

SAVE THIS MANUAL FOR FUTURE REFERENCE

L'accessoire taille-bordures a été conçue et fabriquée conformément à nos strictes normes de fiabilité, simplicité d'emploi et sécurité d'utilisation. Correctement entretenue, elle vous donnera des années de fonctionnement robuste et sans problème.

AVERTISSEMENT : Pour réduire les risques de blessures, l'utilisateur doit lire et veiller à bien comprendre le manuel d'utilisation avant d'employer ce produit.

Merci de votre achat.

**CONSERVER CE MANUEL POUR
FUTURE RÉFÉRENCE**

Su nuevo accesorio para recortar ha sido diseñada y fabricada de conformidad con las estrictas normas para brindar fiabilidad, facilidad de uso y seguridad para el operador. Con el debido cuidado, le brindará muchos años de sólido y eficiente funcionamiento.

ADVERTENCIA: Para reducir el riesgo de lesiones, el usuario debe leer y comprender el manual del operador antes de usar este producto.

Le agradecemos su compra.

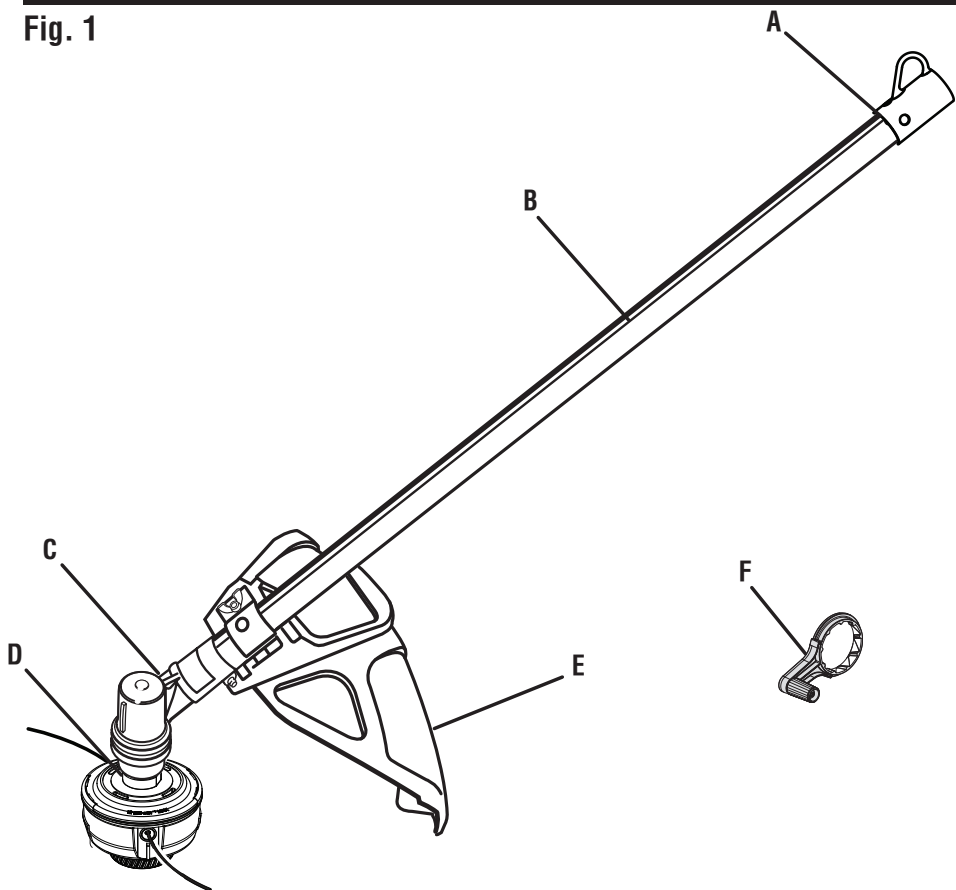
**GUARDE ESTE MANUAL PARA
FUTURAS CONSULTAS**

See this fold-out section for all of the figures referenced in the operator's manual.

Consulter l'encart à volets afin d'examiner toutes les figures mentionnées dans le manuel d'utilisation.

Consulte esta sección desplegable para ver todas las figuras a las que se hace referencia en el manual del operador.

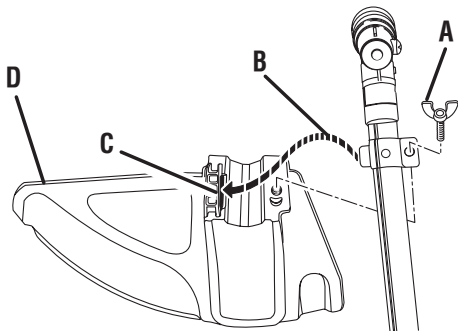
Fig. 1



- A - Hanger cap (capuchon de suspension, tapa de suspensión)
- B - Trimmer shaft (arbre du taille-bordures, eje de la recortadora)
- C - Gear head (carter d'engrenages, cabezal de engranajes)

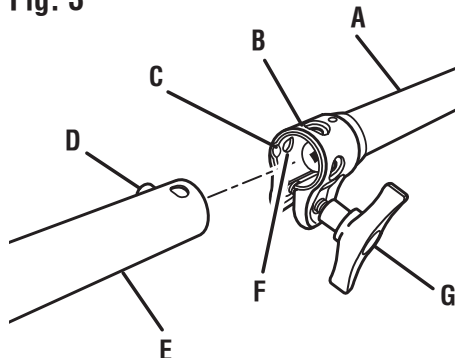
- D - String head (tête à ligne de coupe, cabezal del hilo)
- E - Grass deflector (déflecteur d'herbe, deflector de pasto)
- F - Speed Winder™ (Speed Winder™, Speed Winder™)

Fig. 2



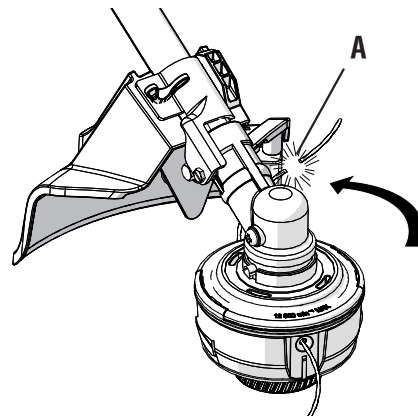
- A - Wing screw (vis à oreilles, tornillo de mariposa)
- B - Tab (languette, orejeta)
- C - Slot (fente, ranura)
- D - Grass deflector (déflecteur d'herbe, deflector de pasto)

Fig. 3



- A - Power head shaft (arbre moteur, cabezal motor eje)
- B - Coupler (coupleur, acoplador)
- C - Guide recess (renforcement du guide, hueco guía)
- D - Button (bouton, botón)
- E - Attachment shaft (arbre de l'accessoire, eje del accesorio)
- F - Positioning hole (trou de positionnement, orificio de posicionamiento)
- G - Knob (bouton, perilla)

Fig. 4



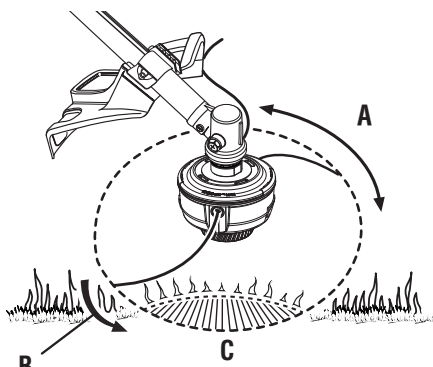
- A - Line cut-off blade (lame coupe-ligne, cuchilla de corte)

Fig.5



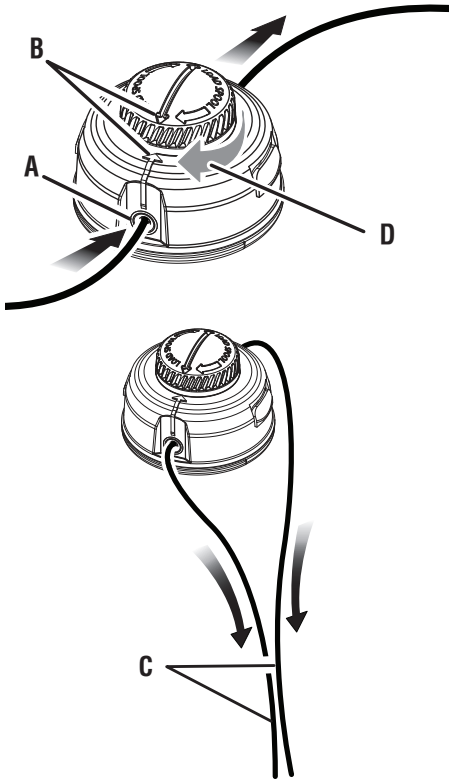
PROPER OPERATING POSITION / BONNE POSITION DE TRAVAIL / POSICIÓN CORRECTA PARA EL MANEJO DE LA HERRAMIENTA

Fig. 6



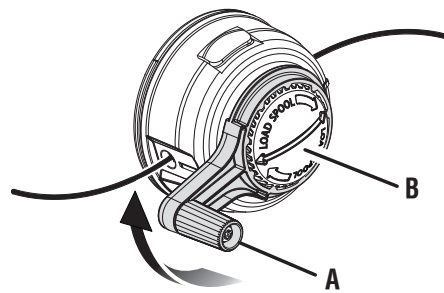
- A - Dangerous cutting area (zone de coupe dangereuse, área peligrosa de corte)
- B - Direction of rotation (sens de rotation, sentido de rotación)
- C - Best cutting area (zone d'efficacité maximum, mejor área de corte)

Fig. 7



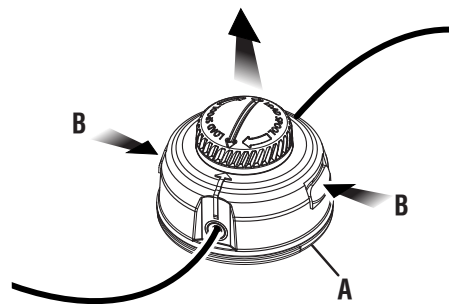
- A - Eyelet (œillet, ojo)
- B - Arrows (flèches, flechas)
- C - Pull strings (tirer vers l'extérieur, tira del hilo)
- D - Rotate the bump knob (tourner le capuchon du mécanisme de coup dans le sens horaire, gire a la derecha el perilla percusiva)

Fig. 8



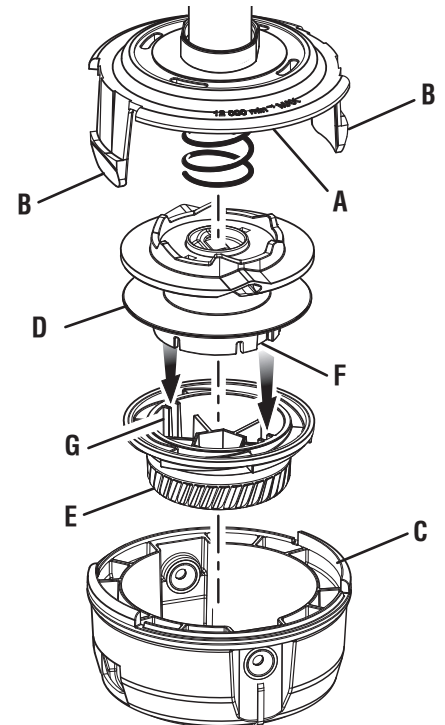
- A - Speed Winder™ (Speed Winder™, Speed Winder™)
- B - Bump knob (capuchon du mécanisme de coup, perilla percusiva)

Fig. 9



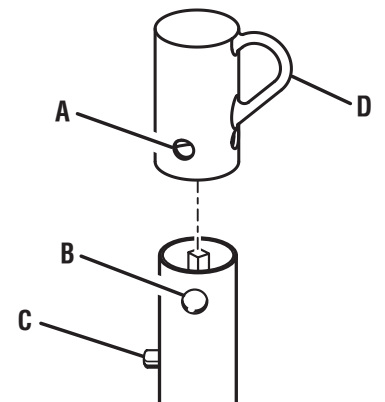
- A - String head housing (boîtier de tête de coupe, alojamiento del cabezal de hilo)
- B - Depress tabs (appuyer sur les languettes, presione los orejetas)

Fig. 10



- A - Upper string head housing (boîtier supérieure de tête de coupe, alojamiento del cabezal de hilo superior)
- B - Tabs (languettes, lengüetas)
- C - Lower string head housing (logement inférieur de tête de coupe, alojamiento del cabezal de hilo inférieur)
- D - Spool (bobine, carrete)
- E - Bump knob (capuchon du mécanisme de coup, perilla percusiva)
- F - Spool slots (fentes de bobine, ranuras de carrete)
- G - Knob ribs (côte de bouton, costillas de la perilla)

Fig. 11



- A - Hole (trou, orificio)
- B - Secondary hole (trou secondaire, orificio secundario)
- C - Button (bouton, botón)
- D - Hanger cap (capuchon de suspension, tapa de suspensión)

TABLE OF CONTENTS

TABLE DES MATIÈRES / ÍNDICE DE CONTENIDO

| | |
|---|-------------------------------|
| ■ Introduction | 2 |
| Introduction / Introducción | |
| ■ General Safety Rules | 3 |
| Règles de sécurité générales / Reglas de seguridad generales | |
| ■ Specific Safety Rules..... | 3 |
| Règles de sécurité particulières / Reglas de seguridad específicas | |
| ■ Symbols..... | 4 |
| Symboles / Símbolos | |
| ■ Features..... | 5 |
| Caractéristiques / Características | |
| ■ Assembly | 5-6 |
| Assemblage / Armado | |
| ■ Operation..... | 6-7 |
| Utilisation / Funcionamiento | |
| ■ Maintenance | 8-9 |
| Entretien / Mantenimiento | |
| ■ Troubleshooting | 9 |
| Dépannage / Corrección de problemas | |
| ■ Warranty | 10 |
| Garantie / Garantía | |
| ■ Parts Ordering and Service | Back Page |
| Commande de pièces et réparation / Pedidos de piezas y servicio | Page arrière / Pág. posterior |

INTRODUCTION

INTRODUCTION / INTRODUCCIÓN

This product has many features for making its use more pleasant and enjoyable. Safety, performance, and dependability have been given top priority in the design of this product making it easy to maintain and operate.

* * *

Ce produit offre de nombreuses fonctions destinées à rendre son utilisation plus plaisante et satisfaisante. Lors de la conception de ce produit, l'accent a été mis sur la sécurité, les performances et la fiabilité, afin d'en faire un outil facile à utiliser et à entretenir.

* * *

Este producto ofrece numerosas características para hacer más agradable y placentero su uso. En el diseño de este producto se ha conferido prioridad a la seguridad, el desempeño y la fiabilidad, por lo cual se facilita su manejo y mantenimiento.

GENERAL SAFETY RULES

WARNING:

Read and understand all instructions. Failure to follow all instructions listed below may result in electric shock, fire, and/or serious personal injury.

SAVE THESE INSTRUCTIONS

- Read these instructions and the instructions for the power head thoroughly before using the straight shaft trimmer attachment.
- Know the tool. Read and understand the operator's manual and observe the warnings and instruction labels affixed to the tool.
- Do not allow children or untrained individuals to use this unit.
- Always wear eye protection with side shields marked to comply with ANSI Z87.1.
- Wear heavy long pants, boots, and gloves. Do not wear loose fitting clothing, short pants, jewelry of any kind, or go barefoot.
- Secure long hair so it is above shoulder level to prevent entanglement in any moving parts.
- Keep all bystanders, children, and pets at least 50 ft. away. Bystanders should be encouraged to wear eye protection.
- Stay alert, watch what you are doing, and use common sense when operating a power tool. Do not use tool while tired or under the influence of drugs, alcohol, or medica-

tion. A moment of inattention while operating power tools may result in serious personal injury.

- Do not operate in poor lighting.
- Do not overreach. Keep proper footing and balance at all times. Proper footing and balance enables better control of the tool in unexpected situations.
- Keep all parts of your body away from any moving part.
- Do not touch areas around the muffler or cylinder of the power head. These parts get hot from operation. Failure to heed this warning could result in possible serious personal injury.
- Always stop the engine and remove the spark plug wire before making any adjustments or repairs except for carburetor adjustments.
- Inspect unit before each use for loose fasteners and damaged or missing parts. Correct before using the trimmer attachment. Failure to do so can cause serious injury.
- Use only original manufacturer's replacement parts. Failure to do so may cause poor performance, possible injury, and will void your warranty.
- Do not, under any circumstance, use any attachment or accessory on this product, which was not provided with the product, or identified as appropriate for use with this product in the operator's manual.
- Avoid dangerous environments. Do not use the attachment in damp or wet locations. Do not use in rain.
- Use the right attachment. Do not use attachment for any job except that for which it is intended.

SPECIFIC SAFETY RULES




- Replace string head if cracked, chipped, or damaged in any way. Be sure the string head is properly installed and securely fastened. Failure to do so can cause serious injury.
- Make sure all deflectors and handles are properly and securely attached.
- Use only flexible, non-metallic line recommended by the manufacturer. Never use wire, wire rope, or flail blades, which can break off and become dangerous projectiles.
- Never operate string trimmer without the grass deflector in place and in good condition.
- Maintain a firm grip on both handles while trimming.

- Keep string head below waist level. Never cut with the string head located over 30 in. or more above the ground.
- Clear the work area before each use. Remove all objects such as rocks, broken glass, nails, wire, or string which can be thrown or become entangled in the cutting line.
- Save these instructions. Refer to them frequently and use them to instruct others who may use this tool. If you loan someone this tool, loan them these instructions also to prevent misuse of the product and possible injury.









NOTE: SEE YOUR POWER HEAD OPERATOR'S MANUAL FOR ADDITIONAL SPECIFIC SAFETY RULES.

SYMBOLS

The following signal words and meanings are intended to explain the levels of risk associated with this product.

| SYMBOL | SIGNAL | MEANING |
|---|-----------------|--|
|  | DANGER: | Indicates a hazardous situation, which, if not avoided, will result in death or serious injury. |
|  | WARNING: | Indicates a hazardous situation, which, if not avoided, could result in death or serious injury. |
|  | CAUTION: | Indicates a hazardous situation, that, if not avoided, may result in minor or moderate injury. |
| | NOTICE: | (Without Safety Alert Symbol) Indicates information considered important, but not related to a potential injury (e.g. messages relating to property damage). |

Some of the following symbols may be used on this product. Please study them and learn their meaning. Proper interpretation of these symbols will allow you to operate the product better and safer.

| SYMBOL | NAME | EXPLANATION |
|---|----------------------------|---|
|  | Safety Alert Symbol | Indicates a potential personal injury hazard. |
|  | Read Operator's Manual | To reduce the risk of injury, user must read and understand operator's manual before using this product. |
|  | Eye and Hearing Protection | Always wear eye protection with side shields marked to comply with ANSI Z87.1, along with hearing protection when operating this equipment. |
|  | Wear Gloves | Wear non-slip, heavy-duty protective gloves when handling this equipment. |
|  | Wear Safety Footwear | Wear non-slip safety footwear when using this equipment. |
|  | Keep Bystanders Away | Keep all bystanders at least 50 ft. away. |
|  | Ricochet | Thrown objects can ricochet and result in personal injury or property damage. |
|  | No Blade | Do not install or use any type of blade on a product displaying this symbol. |

FEATURES

PRODUCT SPECIFICATIONS

| | |
|--------------------------|--|
| Line Cutting Width..... | 18 in. |
| Line Diameter: | |
| Gas Power Head..... | 0.080 in. to 0.095 in. max. |
| Cordless Power Head ... | 0.080 in. max. round or twisted |
| Electric Power Head..... | 0.080 in. max. round or 0.080 in. to 0.095 in. max. twisted |

KNOW YOUR STRING TRIMMER ATTACHMENT

See Figure 1.

The safe use of this product requires an understanding of the information on the product and in this operator's manual as well as a knowledge of the project you are attempting. Before use of this product, familiarize yourself with all operating features and safety rules.

GRASS DEFLECTOR

The trimmer includes a grass deflector that helps protect you from flying debris.

ASSEMBLY

UNPACKING

This product requires assembly.

- Carefully remove the items from the box. Make sure that all items listed in the packing list are included.

WARNING:

Do not use this product if any parts on the Packing List are already assembled to your product when you unpack it. Parts on this list are not assembled to the product by the manufacturer and require customer installation. Use of a product that may have been improperly assembled could result in serious personal injury.

- Inspect the unit carefully to make sure no damage occurred during shipping.
- Do not discard the packing material until you have carefully inspected and satisfactorily operated the product.
- If any parts are damaged or missing, please call 1-800-860-4050 for assistance.

PACKING LIST

Straight Shaft Trimmer Attachment
Grass Deflector
0.080 in. Twisted Replacement Line
Speed Winder™
Operator's Manual

WARNING:

If any parts are damaged or missing do not operate this product until the parts are replaced. Use of this product with damaged or missing parts could result in serious personal injury.

WARNING:

Do not attempt to modify this product or create accessories not recommended for use with this product. Any such alteration or modification is misuse and could result in a hazardous condition leading to possible serious personal injury.

WARNING:

Do not connect to power head until assembly is complete. Failure to comply could result in accidental starting and possible serious personal injury.

ATTACHING THE GRASS DEFLECTOR

See Figure 2.

WARNING:

The line cut-off blade on the grass deflector is sharp. Avoid contact with the blade. Failure to avoid contact can result in serious personal injury.

NOTE: Install the grass deflector before the attachment is connected to the power head.

- Remove the wing screw from the grass deflector.
- Insert the tab on the mounting bracket in the slot on the grass deflector.
- Align the screw hole in the mounting bracket with the screw hole in the grass deflector.
- Insert the wing screw through the mounting bracket and into the grass deflector.
- Tighten the screw securely.

ASSEMBLY

JOINING THE POWER HEAD TO THE STRAIGHT SHAFT TRIMMER ATTACHMENT

See Figure 3.

WARNING:

Never attach or adjust any attachment while power head is running. Failure to stop the engine or motor may cause serious personal injury.

The straight shaft trimmer attachment connects to the power head by means of a coupler device.

- Remove the hanger cap from the attachment shaft.
- Loosen the knob on the coupler of the power head shaft.
- Push in the button located on the straight shaft trimmer attachment. Align the button with the guide recess on the power head coupler and slide the two shafts together. Rotate attachment shaft until button locks into the positioning hole.

NOTE: If the buttons do not release completely in the positioning holes, the shafts are not locked into place. Slightly rotate from side to side until the button is locked into place.

- Tighten the knob securely.

WARNING:

Be certain the knob is fully tightened before operating equipment. Check it periodically for tightness during use to avoid serious injury.

REMOVING THE ATTACHMENT FROM THE POWER HEAD

For removing or changing the attachment:

- Stop the engine or motor.
- Loosen the knob.
- Push in the button and twist the shafts to remove and separate ends.

OPERATION

WARNING:

Do not allow familiarity with this product to make you careless. Remember that a careless fraction of a second is sufficient to inflict serious injury.

WARNING:

Always wear eye protection with side shields marked to comply with ANSI Z87.1. Failure to do so could result in objects being thrown into your eyes, resulting in possible serious injury.

WARNING:

Never use blades, flailing devices, wire, or rope on this product. Do not use any attachments or accessories not recommended by the manufacturer of this product. The use of attachments or accessories not recommended can result in serious personal injury.

NOTICE:

Before each use, inspect the entire product for damaged, missing, or loose parts such as screws, nuts, bolts, caps, etc. Tighten securely all fasteners and caps and do not operate this product until all missing or damaged parts are replaced. Please contact customer service or a qualified service center for assistance.

APPLICATIONS

You may use this product for the purpose listed below:

- Trimming grass and weeds from around porches, fences, and decks

LINE TRIMMING CUT-OFF BLADE

See Figure 4.

The trimmer is equipped with a line trimming cut-off blade on the grass deflector. For best cutting, advance line until it is trimmed to length by the cut-off blade. Advance the line whenever you hear the engine running faster than normal, or when trimming efficiency diminishes. This will maintain best performance and keep the line long enough to advance properly.

OPERATING THE TRIMMER

See Figure 5.

WARNING:

Engine housing on gas power heads may become hot during trimmer operation. Do not rest or place your arm, hand, or any body part against the engine housing during trimmer operation. Only hold the trimmer as shown in Figure 5 with all body parts clear of engine housing. Extended contact with the engine housing can result in burns or other injuries.

OPERATION

WARNING:

Always position the unit on the operator's right side. The use of the unit on the operator's left side will expose the user to hot surfaces and can result in possible burn injury.

WARNING:

To avoid burns from hot surfaces, never operate unit with the bottom of the engine above waist level.

Hold the trimmer with your right hand on the rear handle and your left hand on the front handle. Keep a firm grip with both hands while in operation. Trimmer should be held at a comfortable position with the rear handle about hip height.

Always operate trimmer at full throttle for gas power heads or with the switch trigger fully pressed for cordless and electric power heads. Cut tall grass from the top down. This will prevent grass from wrapping around the shaft housing and string head which may cause damage from overheating. If grass becomes wrapped around the string head, STOP THE ENGINE or MOTOR, disconnect the spark plug wire for gas power heads, remove the battery pack for cordless power heads, or disconnect the plug from the power source for electric power heads, and remove the grass. Prolonged cutting at partial throttle will result in lubricant dripping from the muffler.

WARNING:

Always hold the string trimmer away from the body keeping clearance between the body and the product. Any contact with the housing or string trimmer cutting head can result in burns and/or other serious personal injury.

CUTTING TIPS

See Figure 6.

- Avoid hot surfaces by always keeping the tool away from your body. (Proper operating position shown in figure 5.)
- Keep the trimmer tilted toward the area being cut; this is the best cutting area.

- The trimmer cuts when passing the unit from left to right. This will avoid throwing debris at the operator. Avoid cutting in the dangerous area shown in figure 6.
- Use the tip of line to do the cutting; do not force string head into uncut grass.
- Wire and picket fences cause extra line wear and breakage. Stone and brick walls, curbs, and wood may wear line rapidly.
- Avoid trees and shrubs. Tree bark, wood moldings, siding, and fence posts can easily be damaged by the line.

ADVANCING LINE USING THE REEL-EASY™ TAP ADVANCE SYSTEM

Line advance is controlled by tapping the string head's spool retainer on grass while running engine at full throttle for gas power heads or with the switch trigger fully pressed for cordless and electric power heads.

- Run engine at full throttle for gas power heads or with the switch trigger fully pressed for cordless and electric power heads.
- Tap string head on ground to advance line. Line advances each time the head is tapped.
- Several taps may be required until line strikes the cut off blade.
- Resume trimming.

NOTE: If the line is worn too short you may not be able to advance the line by tapping it on the ground. If so, STOP THE ENGINE or MOTOR, disconnect the spark plug wire for gas power heads, remove the battery pack for cordless power heads, or disconnect the plug from the power source for electric power heads, and manually advance the line.

ADVANCING THE LINE MANUALLY

Stop the unit and disconnect the spark plug wire for gas power heads, remove the battery pack for cordless power heads, or disconnect from power supply for electric power heads. Push the bump knob down while pulling on line(s) to manually advance the line.

MAINTENANCE

WARNING:

Before inspecting, cleaning, or servicing the machine, shut off engine or motor, wait for all moving parts to stop, and disconnect spark plug wire and move it away from spark plug or disconnect from power supply. Failure to follow these instructions can result in serious personal injury or property damage.

WARNING:

Always wear eye protection with side shields marked to comply with ANSI Z87.1. Failure to do so could result in objects being thrown into your eyes, resulting in possible serious injury.

WARNING:

When servicing, use replacement parts that meet or exceed original product specifications. Use of any other parts could create a hazard or cause product damage.

NOTICE:

Periodically inspect the entire product for damaged, missing, or loose parts such as screws, nuts, bolts, caps, etc. Tighten securely all fasteners and caps and do not operate this product until all missing or damaged parts are replaced. Please contact customer service or a qualified service center for assistance.

GENERAL MAINTENANCE

Avoid using solvents when cleaning plastic parts. Most plastics are susceptible to damage from various types of commercial solvents and may be damaged by their use. Use clean cloths to remove dirt, dust, oil, grease, etc.

WARNING:

Do not at any time let brake fluids, gasoline, petroleum-based products, penetrating oils, etc., come in contact with plastic parts. Chemicals can damage, weaken or destroy plastic which could result in serious personal injury.

LINE REPLACEMENT

See Figures 7 - 8.

For gas and electric power heads, use 0.080 in. or 0.095 in. trimmer line. For cordless power heads, use 0.080 in. trimmer line only.

- Stop the unit and disconnect the spark plug wire for gas power heads, remove the battery pack for cordless power heads, or disconnect from power supply for electric power heads.
- Rotate the bump knob clockwise as necessary to align the arrows on the bump knob with the arrows on the string head housing.
- Cut one piece of trimmer line 18 ft. long. Insert the line into the eyelet on the string head housing. Push until the end of the line comes out the other side of the housing. Pull the line until equal amounts of line appear on both sides of the housing.

NOTE: Line may jam if more than 18 ft. is loaded.

- Either by hand or using the Speed Winder™, rotate the bump knob clockwise to wind the line on the spool until approximately 6 in. of line is showing on each side.

NOTE: For best results, after every five to seven revolutions of the Speed Winder™, pull both line ends taut for best loading results and to help prevent line from tangling.

- Push the bump knob down while pulling on line(s) to manually advance the line.

CLEARING LINE JAM AND/OR REPLACING BUMP KNOB

See Figures 9 - 10.

- Stop the unit and disconnect the spark plug wire for gas power heads, remove the battery pack for cordless power heads, or disconnect from power supply for electric power heads.
- Depress the tabs on the side of the string head housing to remove the lower string head housing.

NOTE: The housing is spring loaded and will self eject when the tabs are depressed. It is not necessary to remove the upper string head housing from the drive shaft.

- Push the spool and bump knob through the string head housing and remove the string from the spool.
- If replacing the bump knob, remove the old knob from the spool. Align the knob ribs with the spool slots and place the new bump knob onto the spool. If you are not replacing the bump knob, skip this step.
- Insert the bump knob and spool assembly through the opening in the string head housing.
- Align the slots on the lower string head housing with the tabs on the upper string head housing.
- Push the housing together until the tabs snap into place.

NOTE: Hold the spool by the knob while completing the installation.

- Install line as described in **Line replacement**.

MAINTENANCE

ATTACHING THE STORAGE HANGER

See Figure 11.

There are two ways to hang the attachment for storage.

- To use the hanger cap, push in the button and place the hanger cap over the end of the attachment shaft. Slightly rotate the cap from side to side until the button locks into place.
- The secondary hole in the attachment shaft can be used for hanging purposes as well.

STORING THE ATTACHMENT

- Store the attachment in a well-ventilated place that is inaccessible to children.
- Keep away from corrosive agents such as garden chemicals and deicing salts.

REPLACEMENT PARTS

0.080 in. Twisted Replacement Line (Bulk).....AC04138

0.080 in. Twisted Replacement Line (Pre-cut).....AC04139

Available at homedepot.com

TROUBLESHOOTING

| PROBLEM | POSSIBLE CAUSE | SOLUTION |
|---|-------------------------------------|---|
| Line will not advance when using the auto-feed head | Line is welded to itself. | Lubricate with silicone spray. |
| | Not enough line on spool. | Install more line. Refer to Line Replacement earlier in this manual. |
| | Line is worn too short. | Pull line while pressing button. |
| | Line is tangled on spool. | Remove line from spool and rewind. Refer to Line Replacement earlier in this manual. |
| Grass wraps around boom housing and string head | Cutting tall grass at ground level. | Cut tall grass from the top down to prevent wrapping. |



CALL US FIRST

For any questions about operating or maintaining your product, call the Ryobi Help Line!
Your product has been fully tested prior to shipment to ensure your complete satisfaction.

WARRANTY

LIMITED WARRANTY STATEMENT

Techtronic Industries North America, Inc., warrants to the original retail purchaser that this RYOBI™ brand outdoor product is free from defect in material and workmanship and agrees to repair or replace, at Techtronic Industries North America, Inc.'s, discretion, any defective product free of charge within these time periods from the date of purchase.

- Three years if the product is used for personal, family or household use;
- 90 days, if used for any other purpose, such as commercial or rental.

This warranty extends to the original retail purchaser only and commences on the date of the original retail purchase.

Any part of this product found in the reasonable judgment of Techtronic Industries North America, Inc. to be defective in material or workmanship will be repaired or replaced without charge for parts and labor by an authorized service center for RYOBI™ brand outdoor products (Authorized Ryobi Service Center).

The product, including any defective part, must be returned to an authorized Ryobi service center within the warranty period. The expense of delivering the product to the service center for warranty work and the expense of returning it back to the owner after repair or replacement will be paid by the owner. Techtronic Industries North America, Inc.'s, responsibility in respect to claims is limited to making the required repairs or replacements and no claim of breach of warranty shall be cause for cancellation or rescission of the contract of sale of any RYOBI™ brand outdoor product. Proof of purchase will be required by the dealer to substantiate any warranty claim. All warranty work must be performed by an authorized service dealer.

This warranty is limited to ninety (90) days from the date of original retail purchase for any RYOBI™ brand outdoor product that is used for rental or commercial purposes, or any other income-producing purpose.

This warranty does not cover any product that has been subject to misuse, neglect, negligence, or accident, or that has been operated in any way contrary to the operating instructions as specified in this operator's manual. This warranty does not apply to any damage to the product that is the result of improper maintenance or to any product that has been altered or modified. The warranty does not extend to repairs made necessary by normal wear or by the use of parts or accessories which are either incompatible with the RYOBI™ brand outdoor product or adversely affect its operation, performance, or durability. In addition, this warranty does not cover:

- A. Tune-ups – Spark Plugs, Carburetor, Carburetor Adjustments, Ignition, Filters
- B. Wear items – Bump Knobs, Outer Spools, Cutting Lines, Inner Reels, Starter Pulleys, Starter Ropes, Drive Belts, Tines, Felt Washers, Hitch Pins, Mulching Blades, Blower Fans, Blower and Vacuum Tubes, Vacuum Bag and Straps, Guide Bars, Saw Chains

Techtronic Industries North America, Inc., reserves the right to change or improve the design of any RYOBI™ brand outdoor product without assuming any obligation to modify any product previously manufactured.

ALL IMPLIED WARRANTIES ARE LIMITED IN DURATION TO THE STATED WARRANTY PERIOD. ACCORDINGLY, ANY SUCH IMPLIED WARRANTIES INCLUDING MERCHANTABILITY, FITNESS FOR A PARTICULAR PURPOSE, OR OTHERWISE, ARE DISCLAIMED IN THEIR ENTIRETY AFTER THE EXPIRATION OF THE APPROPRIATE THREE-YEAR OR NINETY-DAY WARRANTY PERIOD. TECHTRONIC INDUSTRIES NORTH AMERICA, INC.'S, OBLIGATION UNDER THIS WARRANTY IS STRICTLY AND EXCLUSIVELY LIMITED TO THE REPAIR OR REPLACEMENT OF DEFECTIVE PARTS AND TECHTRONIC INDUSTRIES NORTH AMERICA, INC., DOES NOT ASSUME OR AUTHORIZE ANYONE TO ASSUME FOR THEM ANY OTHER OBLIGATION. SOME STATES DO NOT ALLOW LIMITATIONS ON HOW LONG AN IMPLIED WARRANTY LASTS, SO THE ABOVE LIMITATION MAY NOT APPLY TO YOU. TECHTRONIC INDUSTRIES NORTH AMERICA, INC., ASSUMES NO RESPONSIBILITY FOR INCIDENTAL, CONSEQUENTIAL, OR OTHER DAMAGES INCLUDING, BUT NOT LIMITED TO, EXPENSE OF RETURNING THE PRODUCT TO AN AUTHORIZED RYOBI SERVICE CENTER AND EXPENSE OF DELIVERING IT BACK TO THE OWNER, MECHANIC'S TRAVEL TIME, TELEPHONE OR TELEGRAM CHARGES, RENTAL OF A LIKE PRODUCT DURING THE TIME WARRANTY SERVICE IS BEING PERFORMED, TRAVEL, LOSS OR DAMAGE TO PERSONAL PROPERTY, LOSS OF REVENUE, LOSS OF USE OF THE PRODUCT, LOSS OF TIME, OR INCONVENIENCE. SOME STATES DO NOT ALLOW THE EXCLUSION OR LIMITATION OF INCIDENTAL OR CONSEQUENTIAL DAMAGES, SO THE ABOVE LIMITATION OR EXCLUSION MAY NOT APPLY TO YOU.

This warranty gives you specific legal rights, and you may also have other rights which vary from state to state.

This warranty applies to all RYOBI™ brand outdoor products manufactured by or for Techtronic Industries North America, Inc., and sold in the United States and Canada.

To locate your nearest Authorized Ryobi Service Center, dial 1-800-860-4050.

RÈGLES DE SÉCURITÉ GÉNÉRALES

AVERTISSEMENT :

Lire et veiller à bien comprendre toutes les instructions. Le non-respect de toutes les instructions ci-dessous peut entraîner un choc électrique, un incendie et/ou des blessures graves.

CONSERVER CES INSTRUCTIONS

- Lire attentivement ces instructions et celles du moteur avant d'utiliser cet accessoire.
- Apprendre à connaître l'outil. Lire et veiller à bien comprendre le manuel de l'opérateur et observer les avertissements et les instructions des autocollants apposés sur l'outil.
- Ne pas laisser des enfants ou des personnes n'ayant pas reçu une formation adéquate utiliser cet outil.
- Toujours porter une protection oculaire avec écrans latéraux certifiée conforme à la norme ANSI Z87.1.
- Porter des pantalons longs, des chaussures de travail et des gants épais. Ne pas porter de vêtements amples, shorts, bijoux quels qu'ils soient et ne pas travailler pieds nus.
- Attacher les cheveux longs pour les maintenir au-dessus des épaules, afin qu'ils ne se prennent pas dans les pièces en mouvement.
- Garder les badauds, enfants et animaux domestiques à une distance minimum de 15 m (50 pi). Recommander aux personnes présentes de porter une protection oculaire.
- Rester attentif, prêter attention au travail, et faire preuve de bon sens lors de l'utilisation de tout outil électrique. Ne pas utiliser cet outil en état de fatigue ou sous l'influence d'alcool, de drogues ou de médicaments. Un moment d'inattention pendant l'utilisation d'un outil électrique peut entraîner des blessures graves.

- Ne pas travailler sous un éclairage insuffisant.
- Ne pas travailler hors de portée. Toujours se tenir bien campé et en équilibre. Des pieds bien campés et un bon équilibre permettent de mieux contrôler l'outil en cas de situation imprévue.
- Garder toutes les parties du corps à l'écart des pièces en mouvement.
- Ne pas toucher les zones autour de l'échappement ou du cylindre du moteur. Ces pièces deviennent très chaudes en cours de fonctionnement. Ne pas prendre cette précaution pourrait entraîner des blessures graves.
- Toujours arrêter le moteur et débrancher le fil de la bougie avant d'effectuer tout entretien ou réglage, à l'exception des réglages du carburateur.
- Inspecter l'appareil avant chaque utilisation pour s'assurer qu'il n'y a pas de fixations desserrées ou de pièces endommagées ou manquantes. Effectuer les corrections requises avant d'utiliser l'accessoire taille-bordures. Ne pas prendre cette précaution peut entraîner des risques de blessures graves.
- Utiliser exclusivement des pièces de rechange d'origine. Toute dérogation peut entraîner un mauvais fonctionnement, des blessures graves et l'annulation de la garantie.
- N'utiliser en aucun cas un accessoire non fourni avec le produit, ou non indiqué comme pouvant être utilisé sur l'outil dans le manuel d'utilisation.
- Éviter les environnements dangereux. Ne pas utiliser l'accessoire dans des endroits humides ou mouillés. Ne pas utiliser sous la pluie.
- Utiliser l'accessoire approprié. Ne pas utiliser l'accessoire dans une application pour laquelle il n'a pas été prévu.




RÈGLES DE SÉCURITÉ PARTICULIÈRES

- Si la tête de coupe est fendue, brisée ou endommagée de quelque façon que ce soit, la remplacer. S'assurer que la tête de coupe est correctement installée et solidement assujettie. Ne pas prendre cette précaution peut entraîner des risques de blessures graves.
- S'assurer que tous les déflecteurs et toutes les poignées sont correctement installés et solidement fixés.
- N'utiliser que le fil flexible et non métallique recommandé par le fabricant. Ne jamais utiliser un fil métallique, un câble ou des lames de fléau susceptibles de devenir des projectiles dangereux.
- Ne jamais utiliser le taille-bordures si le déflecteur d'herbe n'est pas en place et en bon état.
- Tenir fermement les deux poignées pendant le travail.
- Tenir la tête de coupe au-dessous du niveau de la taille. Ne jamais couper en tenant la tête de coupe à plus de 76 centimètres (30 po) du sol.
- Débayer la zone de travail avant chaque utilisation. La débarrasser de tous les objets tels que cailloux, verre brisé, clous, fils métalliques, cordes, etc. risquant d'être projetés ou de se prendre dans la ligne de coupe.
- Conserver ces instructions. Les consulter fréquemment et les utiliser pour instruire les autres utilisateurs éventuels. Si cet outil est prêté, il doit être accompagné de ces instructions, afin d'éviter un usage incorrect et d'éventuelles blessures.









NOTE : CONSULTEZ LE MANUEL D'UTILISATION DE BLOC MOTEUR POUR DE TÊTE POUR DES SUPPLEMENTAIRE RÈGLES DE SÉCURITÉ PARTICULIÈRES.

SYMBOLES

Les termes de mise en garde suivants et leur signification ont pour but d'expliquer le degré de risques associé à l'utilisation de ce produit.

| SYMBOLE | SIGNAL | SIGNIFICATION |
|---|------------------------|--|
|  | DANGER : | Indique une situation dangereuse qui, si elle n'est pas évitée, aura pour conséquences des blessures graves ou mortelles. |
|  | AVERTISSEMENT : | Indique une situation dangereuse qui, si elle n'est pas évitée, pourrait entraîner des blessures graves ou mortelles. |
|  | ATTENTION : | Indique une situation dangereuse qui, si elle n'est pas évitée, pourrait entraîner des blessures légères ou de gravité modérée. |
| | AVIS : | (Sans symbole d'alerte de sécurité) Indique les informations jugées importantes sans toutefois représenter un risque de blessure (ex. : messages concernant les dommages matériels). |

Certains des symboles ci-dessous peuvent être présents sur la produit. Veiller à les étudier et à apprendre leur signification. Une interprétation correcte de ces symboles permettra d'utiliser la produit plus efficacement et de réduire les risques.

| SYMBOLE | NOM | EXPLICATION |
|---|---------------------------------|--|
|  | Symbole d'alerte de sécurité | Indique un risque de blessure potentiel. |
|  | Lire le manuel d'utilisation | Pour réduire les risques de blessures, l'utilisateur doit lire et veiller à bien comprendre le manuel d'utilisation avant d'utiliser ce produit. |
|  | Protection oculaire et auditive | Toujours porter une protection oculaire avec écrans latéraux certifiée conforme à la norme ANSI Z87.1. ainsi qu'un protection auditive. |
|  | Gants | Porter des gants épais antidérapants lors de l'utilisation de l'outil. |
|  | Chaussures de sécurité | Porter des chaussures de travail à semelle antidérapante lors de l'utilisation de l'outil. |
|  | Ne laisser personne s'approcher | Ne jamais laisser quiconque se tenir à moins de 15 m (50 pi) de l'outil. |
|  | Ricochet | Ne pas utiliser le coupe-bordures sans le protecteur. Rester éloigné de la tête de coupe rotative. |
|  | Ne pas utiliser de lame | Ne jamais utiliser une lame quelconque sur un outil portant ce symbole. |

CARACTÉRISTIQUES

FICHE TECHNIQUE

Largeur de coupe de ligne..... 457 mm (18 po)

Diamètre de coupe :

Ensemble moteur à essence..... 2,0 mm à 2,4 mm max.
(0,08 po à 0,095 po max.)

Ensemble moteur sans fil..... 2,0 mm max.
(0,08 po max.) rond ou torsadé

Ensemble moteur électrique 2,0 mm max.
(0,08 po max.) rond
ou 2,0 mm à 2,4 mm max.
(0,08 po à 0,095 po max.) torsadé

APPRENDRE À CONNAÎTRE L'ACCESSOIRE TAILLE-BORDURES À ARBRE DROIT

Voir la figure 1.

La sécurité d'utilisation de ce produit exige la compréhension des informations apposées sur le produit et contenues dans ce manuel d'utilisation, ainsi que la connaissance du travail à exécuter. Avant d'utiliser ce produit, se familiariser avec toutes ses fonctions et règles de sécurité.

DÉFLECTEUR D'HERBE

Le taille-bordures est équipé d'un déflecteur d'herbe qui protège l'opérateur des débris projetés.

ASSEMBLAGE

DÉBALLAGE

Ce produit nécessite l'assemblage

- Avec précaution, sortir le produit et les accessoires de la boîte. S'assurer que toutes les pièces figurant sur la liste de contrôle sont incluses.

AVERTISSEMENT :

Ne pas utiliser le produit si, en le déballant, vous constatez que des éléments figurant dans la Liste de contrôle d'expédition sont déjà assemblés. Certaines pièces figurant sur cette liste n'ont pas été assemblées par le fabricant et exigent une installation. Le fait d'utiliser un produit qui a été assemblé de façon inadéquate peut entraîner des blessures.

- Examiner soigneusement le produit pour s'assurer que rien n'a été brisé ou endommagé en cours de transport.
- Ne pas jeter les matériaux d'emballage avant d'avoir soigneusement examiné le produit et avoir vérifié qu'il fonctionne correctement.
- Si des pièces sont manquantes ou endommagées, appeler le 1-800-860-4050.

LISTE DE CONTRÔLE D'EXPÉDITION

Arbre droit accessoire taille-bordures

Déflecteur d'herbe

Fil de remplacement torsadé de 2,0 mm (0,08 po)

Speed Winder™

Manuel d'utilisation

AVERTISSEMENT :

Si des pièces manquent ou sont endommagées, ne pas utiliser ce produit avant qu'elles aient été remplacées. Le fait d'utiliser ce produit même s'il contient des pièces endommagées ou s'il lui manque des pièces peut entraîner des blessures graves.

AVERTISSEMENT :

Ne pas essayer de modifier cet produit ou de créer des accessoires non recommandés pour le produit. De telles altérations ou modifications sont considérées comme un usage abusif et peuvent créer des conditions dangereuses, risquant d'entraîner des blessures graves.

AVERTISSEMENT :

Ne pas brancher sur le bloc-moteur avant d'avoir terminé l'assemblage. Le non-respect de cet avertissement peut causer un démarrage accidentel, entraînant des blessures graves.

INSTALLATION DU DÉFLECTEUR D'HERBE

Voir la figure 2.

AVERTISSEMENT :

La lame coupe ligne du déflecteur est tranchante. Éviter de la toucher. Le contact avec la lame peut causer des blessures graves.

NOTE : Installer le déflecteur d'herbe avant de fixer l'accessoire sur l'ensemble moteur.

- Retirer la vis à oreilles du déflecteur d'herbe.

ASSEMBLAGE

- Insérer la languette du support de montage dans la fente du déflecteur d'herbe.
- Aligner le trou de vis du support de montage sur le trou de vis du déflecteur d'herbe.
- Insérer la vis à oreilles dans le support et le déflecteur d'herbe.
- Serrer la vis fermement.

RACCORDEMENT DU BLOC-MOTEUR À L'ACCESSOIRE TAILLE-BORDURES À ARBRE DROIT

Voir la figure 3.

AVERTISSEMENT :

Ne jamais installer ou ajuster un accessoire lorsque le moteur tourne. Ceci pourrait causer des blessures graves.

L'accessoire taille-bordures à arbre droit se raccorde au bloc-moteur à l'aide d'un dispositif de couplage.

- Retirer l'anneau de suspension de l'arbre d'accessoire.
- Desserrer le bouton du coupleur de l'arbre du bloc moteur.

- Appuyer sur le bouton se trouvant sur l'accessoire de taille-bordures. Aligner le bouton sur la rainure guide du bloc moteur et emboîter les deux arbres. Tourner l'arbre de l'accessoire jusqu'à ce que le bouton de verrouillage s'engage dans le trou de positionnement.

NOTE : Si les boutons ne s'engagent pas complètement dans les trous de positionnement, les arbres ne sont pas solidement maintenus l'un dans l'autre. Tourner légèrement les arbres dans les deux sens jusqu'à ce que le bouton s'engage complètement.

- Serrer le bouton fermement.

AVERTISSEMENT :

S'assurer que le bouton est bien serré avant d'utiliser l'outil. Vérifier de temps à autre pour éviter le risque de blessures graves.

RETRAIT DE L'ACCESSOIRE DU BLOC MOTEUR

Retrait ou remplacement de l'accessoire :

- Arrêter le moteur ou du moteur électrique.
- Desserrer le bouton.
- Enfoncer le bouton et tourner les arbres pour retirer et séparer les extrémités.

UTILISATION

AVERTISSEMENT :

Ne pas laisser la familiarité avec este produit faire oublier la prudence. Ne pas oublier qu'une fraction de seconde d'inattention peut entraîner des blessures graves.

AVERTISSEMENT :

Toujours porter une protection oculaire avec écrans latéraux certifiée conforme à la norme ANSI Z87.1. Si cette précaution n'est pas prise, des objets peuvent être projetés dans les yeux et causer des lésions graves.

AVERTISSEMENT :

Ne jamais utiliser de lames ou de dispositifs à fléau, fil et cordes sur ce produit. Ne pas utiliser d'outils ou accessoires non recommandés par le fabricant pour cet produit. L'utilisation de pièces et accessoires non recommandés peut entraîner des blessures graves.

AVIS :

Avant chaque utilisation, inspecter au complet le produit afin de s'assurer qu'aucune pièce (vis, écrous, boulons, chapeaux, etc.) n'est endommagée, manquante ou desserrée. Serrer solidement toutes les pièces de fixation et les chapeaux et ne pas utiliser le produit tant que toutes les pièces manquantes ou endommagées n'ont pas été remplacées. Pour obtenir de l'aide, veuillez communiquer avec le service à la clientèle ou un centre de réparations qualifié.

APPLICATIONS

Cet produit peut être utilisé pour les application ci-dessous :

- Enlever aisément des mauvaises herbes et l'herbe du pourtour des porches, barrières, et des terrasses

LAME DE SECTIONNEMENT DE LIGNE

Voir la figure 4.

Ce taille-bordures est équipé d'une lame de sectionnement de ligne montée sur le déflecteur d'herbe. Pour obtenir une coupe optimale, faire progresser le fil jusqu'à ce qu'il soit coupé à la longueur correcte par la lame coupe-ligne. Le fil doit être avancé chaque fois que le moteur tourne à une vitesse supérieure à la normale ou lorsque la coupe devient moins efficace. Ceci permet de maintenir une efficacité maximum et de maintenir une longueur de fil suffisante pour avancer correctement.

UTILISATION

UTILISATION DU TAILLE-BORDURES

Voir la figure 5.

AVERTISSEMENT :

Le logement du moteur peut devenir chaud pendant l'utilisation du taille bordures à fil (sur les ensembles moteur à essence). Éviter de placer ou d'appuyer le bras, la main ou toute autre partie du corps contre le logement du moteur pendant l'utilisation du taille bordures. Tenir l'outil uniquement dans la position illustrée à la figure 5 en s'assurant qu'aucune partie du corps ne se trouve à proximité du logement du moteur. Un contact prolongé avec le logement du moteur peut entraîner des brûlures ou d'autres blessures.

AVERTISSEMENT :

Toujours tenir l'outil à sa droite. L'utilisation à gauche exposerait l'utilisateur aux surfaces chaudes, créant ainsi des risques de brûlures.

AVERTISSEMENT :

Pour éviter le contact avec les parties brûlantes, ne jamais travailler avec le bas du moteur au-dessus du niveau de la taille.

Tenir le taille-bordures avec la main droite sur la poignée arrière et la main gauche sur la poignée avant. Garder une prise ferme sur les deux poignées pendant le fonctionnement. Le taille-bordures doit être tenu dans une position confortable, la poignée arrière se trouvant à peu près à hauteur de la taille.

Toujours utiliser le taille bordures à plein régime si celui-ci est doté d'un ensemble moteur à essence, ou en appuyant complètement sur la gâchette s'il est doté d'un ensemble moteur sans fil ou électrique. Couper les herbes hautes de haut en bas. Ceci empêchera l'herbe de s'enrouler sur le tube de l'arbre moteur et la tête de coupe, ce qui pourrait causer des dommages dus à une surchauffe. Si l'herbe s'enroule sur la tête de coupe, **ARRÊTER LE MOTEUR**, débrancher le fil de bougie s'il s'agit d'un ensemble moteur à essence, retirer le bloc-piles de l'ensemble moteur sans fil ou débrancher la fiche de la source d'alimentation s'il s'agit d'un ensemble moteur électrique, et enlever l'herbe.

AVERTISSEMENT :

Toujours tenir le taille-bordures à l'écart de soi en maintenant une distance de sécurité entre le corps et l'équipement. Tout contact avec le boîtier ou avec la tête de coupe du taille-bordures peut causer des brûlures et / ou d'autres blessures graves.

CONSEILS DE COUPE

Voir la figure 6.

- Éviter les surfaces très chaudes en maintenant toujours l'outil à l'écart du corps. (Position de travail correcte illustrée à la figure 5.)
- Pour une efficacité maximum, garder le taille-bordures incliné vers la zone de coupe.
- Pour couper avec le taille-bordures à arbre droit, utiliser un mouvement de balayage de gauche à droite. Ceci évite que les débris soient projetés en direction de l'opérateur. Éviter de couper dans la zone dangereuse comme le montre l'illustration à la figure 6.
- Couper avec l'extrémité de la ligne; ne pas forcer la tête de coupe dans l'herbe non coupée.
- Les palissades en métal et en bois accélèrent l'usure de la ligne et peuvent la faire casser. Les murs en pierre et brique, trottoirs et pièces de bois peuvent user la ligne rapidement.
- Contourner les arbres et buissons. L'écorce des arbres, les moulures en bois, le lambrissage et les piquets de palissades peuvent être endommagés par la ligne.

AVANCE DE LA LIGNE DE COUPE AVEC LE SYSTÈME À CHOC REEL-EASY™

L'avance de la ligne est obtenue en tapant la tête de coupe sur le gazon, tout en laissant fonctionner le moteur à plein régime s'il s'agit d'un ensemble moteur à essence, ou en appuyant complètement sur la gâchette s'il s'agit d'un ensemble moteur sans fil ou électrique.

- Faire fonctionner le moteur à plein régime s'il s'agit d'un ensemble moteur à essence, ou en appuyant complètement sur la gâchette s'il s'agit d'un ensemble moteur sans fil ou électrique.
- Taper la tête de coupe sur le sol pour faire avancer la ligne. La ligne avance chaque fois que la tête de coupe est frappée sur le sol.
- Plusieurs frappes peuvent être nécessaires pour que la ligne parvienne à la lame coupe ligne
- Continuer le travail.

NOTE : Si la ligne devient trop courte, il peut ne pas être possible de la faire avancer en tapant la tête de coupe sur le sol. Dans ce cas, **ARRÊTER LE MOTEUR**, débrancher le fil de bougie s'il s'agit d'un ensemble moteur à essence, retirer le bloc-piles de l'ensemble moteur sans fil ou débrancher la fiche de la source d'alimentation s'il s'agit d'un ensemble moteur électrique, et tirer la ligne à la main.

AVANCE MANUELLE DE LA LIGNE DE COUPE

Arrêter le moteur et débrancher le fil de bougie pour ensemble moteur à essence, retirer le bloc-piles de l'ensemble moteur sans fil ou débranchez la scie de l'alimentation pour blocs moteur électrique. Appuyer sur la retenue de bobine et tirer sur la ligne pour sortir la longueur désirée.

ENTRETIEN

AVERTISSEMENT :

Avant d'inspecter, nettoyer ou entretenir l'équipement, couper le moteur, attendre que toutes les pièces en mouvement s'arrêtent, déconnecter le fil de la bougie et l'écarter de la bougie ou débranchez la scie de l'alimentation. Le non-respect de ces instructions peut entraîner des blessures graves ou des dégâts matériels.

AVERTISSEMENT :

Toujours porter une protection oculaire avec écrans latéraux certifiée conforme à la norme ANSI Z87.1. Si cette précaution n'est pas prise, des objets peuvent être projetés dans les yeux et causer des lésions graves.

AVERTISSEMENT :

Lors de l'entretien, utiliser des pièces de rechange fabriqué pour être conforme ou supérieur les spécifications du produit original. L'usage de toute autre pièce pourrait créer une situation dangereuse ou endommager l'outil.

AVIS :

Inspecter périodiquement au complet le produit afin de s'assurer qu'aucune pièce (vis, écrous, boulons, chapeaux, etc.) n'est endommagée, manquante ou desserrée. Serrer solidement toutes les pièces de fixation et les chapeaux et ne pas utiliser le produit tant que toutes les pièces manquantes ou endommagées n'ont pas été remplacées. Pour obtenir de l'aide, veuillez communiquer avec le Service à la clientèle ou un centre de réparations qualifié.

ENTRETIEN GÉNÉRAL

Éviter d'utiliser des solvants pour le nettoyage des pièces en plastique. La plupart des matières plastiques peuvent être endommagées par divers types de solvants du commerce. Utiliser un chiffon propre pour éliminer la saleté, la poussière, l'huile, la graisse, etc.

AVERTISSEMENT :

Ne jamais laisser de liquides tels que le fluide de freins, l'essence, les produits à base de pétrole, les huiles pénétrantes, etc., entrer en contact avec les pièces en plastique. Les produits chimiques peuvent endommager, affaiblir ou détruire le plastique, ce qui peut entraîner des blessures graves.

REMPACEMENT DE LIGNE

Voir les figures 7 et 8.

Pour moteurs à essence ou électrique, utiliser une ligne monofilament de 2,0 mm (0,080 po) ou 2,4 mm (0,095 po) de diamètre. Pour moteurs sans fil, utiliser exclusivement une ligne monofilament de 2,0 mm (0,080 po) de diamètre.

- Arrêter le moteur et débrancher le fil de bougie pour ensemble moteur à essence, retirer le bloc-piles de l'ensemble moteur sans fil ou débranchez la scie de l'alimentation pour blocs moteur électrique.
- Au besoin, tourner la capuchon du mécanisme de coup dans le sens horaire afin d'aligner les flèches de la capuchon du mécanisme de coup avec les flèches du logement de la tête de coupe.
- Couper un morceau d'une longueur de 5,5 m (18 pi) de chaîne monofilament. Insérer le fil dans l'oeillet du boîtier de tête de coupe. Pousser jusqu'à ce que l'extrémité du fil sorte de l'autre côté de la tête de coupe. Tirer sur le fil de l'autre côté de façon à laisser deux segments de fil égaux de chaque côté de la boîtier de tête de coupe.

NOTE : Le fil risque de coincer si la quantité enroulée est supérieure à 5,5 m (18 pi).

- Manuellement ou avec la Speed Winder™, tourner la capuchon du mécanisme de coup dans le sens horaire pour enrouler le fil autour de celle-ci jusqu'à ce qu'environ 152,4 mm (6 po) de fil apparaisse de chaque côté de la bobine.

NOTE : Pour obtenir des résultats optimaux, tirer et tendre les deux extrémités du fil chaque fois que le rembobineur a effectué sept tours afin d'améliorer les résultats d'enroulement et aider à prévenir l'enchevêtrement du fil.

- Appuyer sur la retenue de bobine tout en tirant sur la ou les ligne(s) pour les avancer manuellement.

DÉCOINCEMENT DU FIL ET/OU REMPLACEMENT DU CAPUCHON DU MÉCANISME DE COUP

Voir les figures 9 et 10.

- Arrêter le moteur et débrancher le fil de bougie pour ensemble moteur à essence, retirer le bloc-piles de l'ensemble moteur sans fil ou débranchez la scie de l'alimentation pour blocs moteur électrique.
- Appuyer sur les languettes sur le côté du logement de la tête de fil et retirer le logement inférieur de la tête de fil.
NOTE : Le logement est équipé d'un ressort et s'éjectera automatiquement dès que les languettes sont enfoncées. Il n'est pas nécessaire de retirer le logement supérieur de la tête de coupe de l'arbre d'entraînement.

- Tirer la bobine et le capuchon du mécanisme de coup par le logement de la tête de fil et retirer le fil de la bobine.
- Si l'on remplace le couvercle du mécanisme de coup, retirer le capuchon usagé de la bobine. Aligner les nervures du capuchon avec les fentes de la bobine puis

ENTRETIEN

installer le nouveau capuchon du mécanisme de coup sur la bobine. Passer cette étape si le capuchon du mécanisme de coup n'est pas remplacé.

- Insérer le capuchon du mécanisme de coup et la bobine dans l'ouverture du logement de la tête de fil.
- Aligner les fentes du logement inférieur de la tête de fil avec les languettes du logement supérieur de la tête de fil.
- Presser les deux parties du logement ensemble jusqu'à ce que les languettes s'enclenchent en place.

NOTE : Maintenir la bobine par le capuchon jusqu'à la fin de l'installation.

- Installer le fil tel que décrit à la section intitulée **Remplacement de ligne**.

INSTALLATION DE L'ANNEAU DE SUSPENSION

Voir la figure 11.

Il existe deux façons de suspendre l'accessoire pour le remisage.

- Pour installer l'anneau de suspension, appuyer sur le bouton et emboîter le capuchon sur l'extrémité de l'arbre d'accessoire. Tourner légèrement le capuchon dans un sens et l'autre pour enclencher le bouton.
- Le trou secondaire de l'arbre d'accessoire peut également être utilisé pour suspendre l'accessoire.

REMISAGE DE L'ACCESSOIRE

- Ranger l'accessoire dans un endroit bien aéré inaccessible aux enfants.
- La tenir à l'écart de produits corrosifs, tels que les produits chimiques de jardinage et le sel de dégivrage.

PIÈCES DE REMPLACEMENT

Fil de remplacement:

Fil torsadé de 2,0 mm (0,08 po) (rouleau).....AC04138

Fil torsadé de 2,0 mm (0,08 po) (précoupé)AC04139

Disponible sur le site www.homedepot.com

DÉPANNAGE

| PROBLÈME | CAUSE POSSIBLE | SOLUTION |
|---|---------------------------------------|---|
| Le ligne n'avancera pas si une tête à avance automatique est utilisée | Ligne soudée sur elle-même. | Lubrifier avec un produit au silicone. |
| | Pas assez de ligne sur la bobine. | Installer une nouvelle ligne. Voir Remplacement de ligne , plus haut dans ce manuel. |
| | Ligne trop courte. | Tirez la ligne tout en appuyant sur le bouton. |
| | Ligne emmêlée sur la bobine. | Retirer la ligne du de la bobine et la rembobiner. Voir Remplacement de la ligne , plus haut dans ce manuel. |
| L'herbe s'enroule sur le tube de l'arbre moteur et la tête de coupe | Coupe de hautes herbes au ras du sol. | Couper les herbes hautes du haut en bas. |



NOUS APPELER D'ABORD

Pour toute question concernant l'utilisation ou l'entretien utiliser ce produit, appeler le service d'assistance téléphonique Ryobi!

Le taille-bordures à été entièrement testé avant expédition pour assurer la complète satisfaction de l'utilisateur.

GARANTIE

ÉNONCÉ DE LA GARANTIE LIMITÉE

Techtronic Industries North America, Inc., garantit à l'acheteur original que ce produit RYOBI™ est exempt de tous vices de matériaux ou de fabrication et s'engage à réparer ou remplacer gratuitement, à son choix, tout produit s'avérant défectueux au cours des périodes indiquées ci-dessous, à compter de la date d'achat.

- Trois ans sur les produits utilisés par des particuliers ;
- 90 jours sur les produits utilisés à toutes autres fins, telles que les travaux commerciaux et la location.

Cette garantie n'est offerte qu'à l'acheteur original et entre en vigueur à la date de l'achat original.

Toute pièce de ce produit jugée, après évaluation raisonnable par Techtronic Industries North America, Inc., comme présentant des vices de matériaux ou de fabrication, sera réparée ou remplacée, sans facturation pour pièces ou main d'oeuvre par un centre de réparations agréé pour produits d'extérieur de marque RYOBI™ (centre de réparations Ryobi agréé).

Le produit, y compris toutes les pièces défectueuses devront être retournés à un centre de réparations Ryobi agréé, avant expiration de la période de garantie. Les frais d'expédition au centre de réparations pour les travaux sous garantie et de retour au propriétaire du produit seront assumés par le propriétaire. En ce qui concerne les réclamations en garantie, la responsabilité Techtronic Industries North America, Inc., se limitera à la réparation ou au remplacement des produits défectueux et aucune revendication de rupture de garantie ne pourra causer l'annulation ou la résiliation du contrat de vente d'un produit d'extérieur RYOBI™ quel qu'il soit. Une preuve d'achat sera exigée par le centre de réparation, afin de valider toute réclamation au titre de la garantie. Toutes les réparations sous garantie devront être effectuées par un centre de réparations agréé.

La garantie sur tout produit d'extérieur RYOBI™ utilisé pour la location, des travaux commerciaux ou tout autre usage lucratif, sera limitée à quatre-vingt-dix (90) jours, à compter de la date d'achat au détail original.

Cette garantie ne couvre pas les produits ayant fait l'objet d'un usage abusif ou négligent, d'un manque d'entretien, ayant été impliqués dans un accident ou employé de façon contraire aux instructions du manuel d'utilisation. Cette garantie ne couvre ni les dommages aux produits résultant d'un manque d'entretien, ni les produits qui ont été altérés ou modifiés. La garantie exclut les réparations rendues nécessaires par l'usure normale ou l'utilisation de pièces et accessoires incompatibles avec le produit d'extérieur RYOBI™ ou nuisibles à son bon fonctionnement, ses performances ou sa durabilité. En outre, cette garanti exclut :

A. Les réglages – Bougies, carburateur, réglages du carburateur, allumage, filtres

B. Les articles consommables – Boutons d'avance par choc, bobines externes, lignes de coupe, bobines internes, poulies et cordons de lanceur, courroies d'entraînement, dents, rondelles en feutre, axes d'attelage, lames de paillage, ventilateur de soufflante, tubes de soufflage et d'aspiration, sacs à débris, guides, chaînes de scie

Techtronic Industries North America, Inc., se réserve le droit d'apporter des modifications ou améliorations à tout produit extérieur RYOBI™, sans obligation de modifier les produits fabriqués antérieurement.

LA DURÉE DE TOUTES LES GARANTIES IMPLICITES NE SAURAIT EN AUCUN CAS EXCÉDER LA PÉRIODE DE GARANTIE DÉCLARÉE. PAR CONSÉQUENT, TOUTES LES GARANTIES IMPLICITES, Y COMPRIS LES GARANTIES DE VALEUR MARCHANDE OU D'ADÉQUATION À UN USAGE PARTICULIER OU AUTRES SERONT INVALIDÉES À L'EXPIRATION DE LA PÉRIODE DE GARANTIE APPROPRIÉE DE TROIS ANS OU QUATRE-VINGT-DIX JOURS. LES OBLIGATIONS DE TECHTRONIC INDUSTRIES NORTH AMERICA, INC., DANS LE CADRE DE CETTE GARANTIE SE LIMITENT EXCLUSIVEMENT À LA RÉPARATION OU AU REMPLACEMENT DES PIÈCES DÉFECTUEUSES ET TECHTRONIC INDUSTRIES NORTH AMERICA, INC. N'ASSUME OU N'AUTORISE QUICONQUE À ASSUMER QUELQUE AUTRE OBLIGATION QUE CE SOIT. CERTAINS ÉTATS ET PROVINCES NE PERMETTANT PAS DE LIMITATION DE DURÉE DES GARANTIES IMPLICITES, LES RESTRICTIONS CI-DESSOUS PEUVENT NE PAS ÊTRE APPLICABLES. TECHTRONIC INDUSTRIES NORTH AMERICA, INC., DÉCLINE TOUTE RESPONSABILITÉ EN CE QUI CONCERNE LES DOMMAGES DIRECTS, INDIRECTS OU AUTRES, Y COMPRIS, MAIS SANS S'Y LIMITER, LES FRAIS DE RETOUR DE PRODUITS À UN CENTRE DE RÉPARATION RYOBI AGRÉÉ ET DE RENVOI AU PROPRIÉTAIRE, DE DÉPLACEMENT D'UN TECHNICIEN, DE TÉLÉPHONE OU TÉLÉGRAMME, DE LOCATION D'UN PRODUIT SIMILAIRE PENDANT LA DURÉE DES RÉPARATIONS SOUS GARANTIE, DE DÉPLACEMENT, DE PERTES OU DOMMAGES À DES BIENS PERSONNELS, DE MANQUE À GAGNER, DE PERTE D'USAGE DU PRODUIT, DE PERTE DE TEMPS OU DE DÉRANGEMENT. CERTAINS ÉTATS ET PROVINCES NE PERMETTANT L'EXCLUSION OU LA LIMITATION DES DOMMAGES DIRECTS OU INDIRECTS, LES RESTRICTIONS CI-DESSOUS PEUVENT NE PAS ÊTRE APPLICABLES.

Cette garantie donne au consommateur des droits spécifiques, et celui-ci peut bénéficier d'autres droits, qui varient selon les états ou provinces.

Cette garantie couvre tous les produits d'extérieur RYOBI™ fabriqués par Techtronic Industries North America, Inc., vendus aux États-Unis et au Canada.

Pour obtenir l'adresse du centre de réparations Ryobi agréé le plus proche, appeler le 1-800-860-4050.

REGLAS DE SEGURIDAD GENERALES

ADVERTENCIA:

Lea y comprenda todas las instrucciones. El incumplimiento de las instrucciones señaladas abajo puede causar descargas eléctricas, incendios y lesiones serias.

GUARDE ESTAS INSTRUCCIONES

- Lea detenidamente estas instrucciones y las instrucciones para su cabezal motor antes de utilizar el accesorio para recortar de eje recto.
- Familiarícese con la herramienta. Lea y comprenda el manual del operador y observe las advertencias y etiquetas de instrucciones adheridas a la herramienta.
- No permita que utilicen esta unidad niños ni personas carentes de la debida instrucción para su manejo.
- Siempre póngase protección ocular con protección lateral con la marca de cumplimiento de la norma ANSI Z87.1.
- Póngase pantalones, botas y guantes gruesos. No se ponga ropa holgada, pantalones cortos, joyería de ningún tipo ni ande descalzo.
- Recójase el cabello si lo tiene largo, de manera que le quede arriba de los hombros para evitar que se enrede en las piezas en movimiento.
- Mantenga a todos los circunstantes, niños y animales por lo menos a 15 m (50 pies) de distancia. Debe exhortarse a los circunstantes a ponerse protección para los ojos.
- Permanezca alerta, preste atención a lo que esté haciendo, y aplique el sentido común al utilizar herramientas eléctricas. No utilice la herramienta si está cansado o se encuentra bajo los efectos de alguna droga, alcohol o medicamento. Un momento de inatención al utilizar una herramienta eléctrica puede causar lesiones corporales serias.

- No utilice este producto si no hay luz suficiente.
- No estire el cuerpo para alcanzar mayor distancia. Mantenga una postura firme y buen equilibrio en todo momento. Una postura firme y un buen equilibrio permiten un mejor control de la herramienta en situaciones inesperadas.
- Mantenga todas las partes del cuerpo alejadas de toda pieza móvil.
- No toque las áreas alrededor del silenciador o del cilindro del cabezal motor. Estas piezas se calientan durante el funcionamiento. La inobservancia de esta advertencia puede causar lesiones serias.
- Siempre apague el motor y desconecte el cable de la bujía antes de efectuar cualquier tarea de ajuste o reparación, excepto ajustes del carburador.
- Inspeccione la unidad antes de cada uso para verificar que no haya pernos sueltos no partes dañadas o faltantes. Efectúe las correcciones necesarias antes de utilizar el accesorio para recortar. La inobservancia de esta advertencia puede causar lesiones serias.
- Sólo utilice piezas de repuesto del fabricante original. De lo contrario puede originarse un mal desempeño de la herramienta y lesiones corporales, además de anularse la garantía.
- En ninguna circunstancia, use accesorio o accesorio alguno en este producto, que no se haya suministrado con el producto mismo, o que no esté identificado como apropiado para el uso con este producto en el manual del operador.
- Evite los entornos peligrosos de trabajo. No use el accesorio en lugares húmedos o mojados. No lo use en la lluvia.
- Utilice el accesorio adecuado para la tarea. No utilice este producto para ninguna función diferente de las especificadas.

REGLAS DE SEGURIDAD ESPECÍFICAS




- Reemplace el cabezal del hilo si estuviese agrietado, astillado o dañado de alguna manera. Asegúrese de que el cabezal del hilo esté debidamente instalado y firmemente asegurado. La inobservancia de esta advertencia puede causar lesiones corporales serias.
- Asegúrese que todos los deflectores y las asas estén acoplados debidamente y de manera segura.
- Utilice únicamente la cuerda no metálica recomendada por el fabricante. Nunca utilice alambre, cable metálico o cuchillas trilladoras; todos estos pueden romperse y convertirse en peligroso proyectiles.
- Nunca utilice la recortadora de hilo si el deflector de césped no está en posición y en buenas condiciones de funcionamiento.
- Al usar la recortadora, sujétela firmemente en ambas asas.

- Mantenga el cabezal del hilo por debajo del nivel de la cintura. Nunca corte con el cabezal del hilo a más de 76 cm (30 pulg.) del suelo.
- Despeje el área de trabajo cada vez antes de utilizar esta herramienta. Retire todos los objetos tales como piedras, vidrios rotos, clavos, alambre o cuerdas que pudiesen resultar lanzados o enredados en el hilo de corte.
- Guarde estas instrucciones. Consúltelas con frecuencia y empléelas para instruir a otras personas que puedan utilizar esta herramienta. Si presta a alguien esta herramienta, facilítele también las instrucciones con el fin de evitar un uso indebido del producto y posibles lesiones.









NOTA: VEA LA MANUAL DEL OPERADOR DE CABEZAL DE MOTOR PARA REGLAS DE SEGURIDAD ESPECÍFICAS ADICIONALES.

SÍMBOLOS

Las siguientes palabras de señalización y sus significados tienen el objeto de explicar los niveles de riesgo relacionados con este producto.

| SÍMBOLO | SEÑAL | SIGNIFICADO |
|---|---------------------|---|
|  | PELIGRO: | Indica una situación peligrosa, la cual, si no se evita, causará la muerte o lesiones serias. |
|  | ADVERTENCIA: | Indica una situación peligrosa, la cual, si no se evita, podría causar la muerte o lesiones serias. |
|  | PRECAUCIÓN: | Indica una situación peligrosa, la cual, si no se evita, podría causar lesiones menores o leves. |
| | AVISO: | (Sin el símbolo de alerta de seguridad) Indica la información que se considera importante, pero no relacionada con lesiones potenciales (por ej. en relación a daños a la propiedad). |

Es posible que se empleen en este producto algunos de los siguientes símbolos. Le suplicamos estudiarlos y aprender su significado para mayor seguridad al manejar este producto.

| SYMBOLO | NOMBRE | EXPLICACIÓN |
|---|--|--|
|  | Símbolo de alerta de seguridad | Indica un peligro posible de lesiones personales. |
|  | Lea el manual del operador | Para reducir el riesgo de lesiones, el usuario debe leer y comprender el manual del operador antes de usar este producto. |
|  | Póngase protección para los ojos y los oídos | Siempre póngase protección ocular con la marca de cumplimiento de la norma ANSI Z87.1 junto con protección para los oídos. |
|  | Póngase guantes | Cuando utilice este equipo póngase guantes protectores antideslizantes de uso pesado. |
|  | Póngase calzado de seguridad | Cuando utilice este equipo póngase zapatos de seguridad antideslizantes. |
|  | Mantenga alejadas a las personas presentes | Mantenga alejados a los observadores a un mínimo de 15 m (50 pies) de distancia. |
|  | Rebote | Cualquier objeto lanzado puede rebotar y producir lesiones personales o daños físicos. |
|  | No instale hoja de corte | No instale ni utilice ningún tipo de hoja de corte en ningún producto con este símbolo. |

CARACTERÍSTICAS

ESPECIFICACIONES DEL PRODUCTO

Anchura del corte del hilo 457 mm (18 pulg.)

Diámetro del hilo:

Cabezal motor a gas 2,0 mm a 2,4 mm max.
(0,08 pulg. a 0,095 pulg. max.)

Cabezal motor inalámbrico 2,0 mm max.
(0,08 pulg. max.) redonda o trenzada

Cabezal motor eléctrico 2,0 mm max.
(0,08 pulg. max.) redonda.
o 2,0 mm a 2,4 mm max.
(0,08 pulg. a 0,095 pulg. max.) trenzada

FAMILIARÍCESE CON EL ACCESORIO PARA RECORTAR DE EJE RECTO

Vea la figura 1.

Para usar este producto con la debida seguridad se debe comprender la información indicada en la producto misma y en este manual, y se debe comprender también el trabajo que intenta realizar. Antes de usar este producto, familiarícese con todas las características de funcionamiento y normas de seguridad del mismo.

DEFLECTOR DE PASTO

La recortadora incorpora un deflector de pasto que ayuda a proteger al operador de los desechos lanzados por la herramienta.

ARMADO

DESEMPAQUETADO

Este producto debe armarse.

- Extraiga cuidadosamente de la caja la producto y los accesorios. Asegúrese de que estén presentes todos los artículos enumerados en la lista de empaquetado.

ADVERTENCIA:

No utilice este producto si alguna pieza incluida en la Lista de contenido ya está ensamblada al producto cuando lo desempaqueta. El fabricante no ensambla las piezas de esta lista en el producto. Éstas deben ser instaladas por el usuario. El uso de un producto que puede haber sido ensamblado de forma inadecuada podría causar lesiones personales graves.

- Inspeccione cuidadosamente la producto para asegurarse de que no haya sufrido ninguna rotura o daño durante el transporte.
- No deseche el material de empaquetado hasta que haya inspeccionado cuidadosamente la producto y la haya utilizado satisfactoriamente.
- Si hay piezas dañadas o faltantes, le suplicamos llamar al 1-800-860-4050, donde le brindaremos asistencia.

LISTA DE EMPAQUETADO

Accesorio para cortar de eje recto

Deflector de pasto

Línea de repuesto trenzada de 2 mm (0,08 pulg.)

Speed Winder™

Manual del operador

ADVERTENCIA:

Si falta o está dañada alguna pieza, no utilice este producto sin haber reemplazado la pieza. Usar este producto con partes dañadas o faltantes puede causar lesiones serias al operador.

ADVERTENCIA:

No intente modificar esta producto ni hacer accesorios no recomendados para la misma. Cualquier alteración o modificación constituye maltrato el cual puede causar una condición peligrosa, y como consecuencia posibles lesiones corporales serias.

ADVERTENCIA:

No conecte la unidad al cabezal motor antes de terminar de armarla. De lo contrario la unidad puede ponerse en marcha accidentalmente, con el consiguiente riesgo de lesiones serias.

MONTAJE DEL DEFLECTOR DE PASTO

Vea la figura 2.

ADVERTENCIA:

La cuchilla de cortar el hilo del deflector de pasto está afilada. Evite tocar la cuchilla. Si no evita tal contacto puede originarse lesiones corporales serias.

NOTA: Instale el deflector de pasto antes de acoplar el accesorio al cabezal motor.

- Retire el tornillo de mariposa del deflector de pasto.
- Introduzca la orejeta del soporte de montaje en la ranura del deflector de pasto.

ARMADO

- Alinee el orificio del tornillo en el soporte de montaje con orificio del tornillo del deflector de pasto.
- Introduzca el tornillo de mariposa a través del soporte de montaje y en el deflector de pasto.
- Apriete firmemente el tornillo.

ACOPLAMIENTO DEL CABEZAL DE POTENCIA AL ACCESORIO PARA RECORTAR DE EJE RECTO

Vea la figura 3.

ADVERTENCIA:

Nunca una ni ajuste ningún accesorio mientras esté funcionando el cabezal motor. Si no se detiene el motor o motor eléctrico podría causar lesiones personales graves.

El accesorio para recortar de eje recto se acopla al cabezal de potencia por medio de un dispositivo acoplador.

- Quite el tapa de la suspensión del eje del accesorio.
- Afloje la perilla en el acoplador del eje del cabezal motor.
- Oprima el botón situado en el accesorio para recortar de eje recto. Alinee el botón con el hueco guía situado en el

acoplador del eje del cabezal motor y con un movimiento de deslizamiento una los dos ejes. Gire el accesorio para recortar de eje recto hasta que el botón se trabe en el orificio de posicionamiento.

NOTA: Si los botones no se sueltan completamente en el orificio de posicionamiento, significa que los ejes no están bien asegurados en su lugar. Gire levemente los ejes de un lado a otro hasta que el botón quede asegurado en su lugar.

- Apriete firmemente la perilla.

ADVERTENCIA:

Asegúrese de que esté bien apretada la perilla antes de utilizar el equipo. Verifique periódicamente el apriete de la misma durante el uso para evitar lesiones serias.

DESMONTAJE DEL ACCESORIO DEL CABEZAL MOTOR

Para desmontar o cambiar el accesorio:

- Apague el motor o el motor eléctrico.
- Afloje la perilla.
- Oprima el botón y gire los ejes para separar los extremos de los mismos.

FUNCIONAMIENTO

ADVERTENCIA:

No permita que su familiarización con las productos lo vuelva descuidado. Tenga presente que un descuido de un instante es suficiente para causar una lesión grave.

ADVERTENCIA:

Siempre póngase protección ocular con protección lateral con la marca de cumplimiento de la norma ANSI Z87.1. La inobservancia de esta advertencia puede permitir que los objetos lanzados hacia los ojos puedan provocar lesiones graves.

ADVERTENCIA:

Nunca use hojas, dispositivos móviles, alambre ni cuerdas en este producto. No utilice ningún accesorio o accesorio no recomendado por el fabricante de esta producto. El empleo de accesorios o accesorios no recomendados podría causar lesiones serias.

AVISO:

Antes de cada uso, inspeccione todo el producto para detectar partes dañadas, faltantes o sueltas, como tornillos, tuercas, pernos, tapas, etc. Apriete firmemente todos los sujetadores y las tapas y no accione este producto hasta que todas las partes faltantes o dañadas sean reemplazadas. Póngase en contacto con el servicio al cliente o con un centro de servicio calificado para obtener ayuda.

APLICACIONES

Esta producto puede emplearse para los fines enumerado abajo:

- Realizar con suma facilidad el recorte de céspedes y malezas alrededor de porches, cercas, y terrazas

CUCHILLA DE CORTE DEL HILO

Vea la figura 4.

Esta recortadora está equipada con una cuchilla de corte del hilo instalada en el deflector de pasto. Para obtener mejores resultados en el recorte, avance el hilo hasta que la cuchilla lo corte a la longitud apropiada. Avance el hilo siempre que escuche que el motor está funcionando más rápido de lo normal, o cuando disminuya la eficiencia del recorte. Esto mantendrá un desempeño óptimo y mantendrá el hilo a la suficiente longitud para que avance correctamente.

FUNCIONAMIENTO

MANEJO DE LA RECORTADORA

Vea la figura 5.

ADVERTENCIA:

Es posible que la carcasa del motor se caliente mientras la recortadora de hilo esté en uso. No apoye ni coloque el brazo, la mano ni ninguna parte del cuerpo contra la carcasa del motor mientras la recortadora esté en uso. Sólo sostenga la recortadora como se muestra en la figura 5 con todas las partes del cuerpo alejadas de la carcasa del motor. El contacto prolongado con la carcasa del motor puede causar quemaduras u otras lesiones.

ADVERTENCIA:

Siempre coloque la unidad al lado derecho de usted. Si se utiliza la unidad colocándola en el lado izquierdo del cuerpo, el usuario expone éste a superficies calientes, lo cual puede causar lesiones por quemadura.

ADVERTENCIA:

Para evitar quemaduras causadas por tocar superficies calientes, al utilizar esta unidad nunca coloque la parte inferior de la misma arriba del nivel de la cintura.

Sujete la recortadora con la mano derecha en el mango trasero y coloque la mano izquierda en el mango delantero. Sujete firmemente la unidad con ambas manos durante la operación. Se recomienda sujetar la recortadora en una posición cómoda, con el mango trasero a la altura de la cadera.

Para los cabezales motores a gas, accione siempre la recortadora a toda marcha o presione el gatillo del interruptor por completo para los cabezales motores inalámbrico o eléctricos. Corte la hierba alta desde la parte superior hacia abajo. Esto evitará que la hierba se enrolle alrededor del alojamiento del eje y del cabezal del hilo que pudiese causar daño por calentamiento excesivo. Si la hierba se enrolla alrededor del cabezal del hilo, **DETENGA EL MOTOR**, desconecte el cable de la bujía para los cabezales motores a gas, retire el paquete de baterías de las cabezal motores inalámbrico o desconecte la clavija del suministro de corriente para los cabezales motores eléctricos, y desprenda la hierba.

ADVERTENCIA:

Siempre sujete la recortadora de hilo lejos del cuerpo, manteniendo un espacio entre el cuerpo y la herramienta. Cualquier contacto del cuerpo con la armazón o el cabezal de corte de la recortadora de hilo puede producir quemaduras y/o otras lesiones serias.

SUGERENCIAS PARA CORTAR

Vea la figura 6.

- Evite tocar las superficies calientes de la herramienta; para ello, manténgala lejos del cuerpo. (La posición

correcta de manejo de la herramienta se muestra en la figura 5).

- Mantenga la recortadora inclinada hacia el área de corte; ésta es la mejor área de corte.
- La recortadora de eje curvo corta cuando se pasa la unidad de izquierda a derecha. La recortadora de eje recto corta cuando se pasa la unidad de izquierda a derecha. De esta manera se evita el lanzamiento de desechos hacia el operador. Evite cortar en el área peligrosa mostrada en la ilustración en la figura 7.
- Use la punta del hilo para efectuar el recorte; no fuerce el cabezal del hilo hacia la hierba sin cortar.
- Las cercas de alambre y de estacas causa desgaste adicional en el hilo, incluso la ruptura. Los muros de piedra y de ladrillo, los cordones y la madera pueden gastar rápidamente el hilo.
- Evite el contacto con árboles y los arbustos. La corteza de los árboles, las molduras de madera, los revestimientos de las paredes y los postes de las cercas pueden resultar dañados fácilmente por el hilo.

AVANCE DEL HILO UTILIZANDO EL SISTEMA DE AVANCE DE HILO POR GOLPE REEL-EASY™

El avance del hilo se controla golpeando levemente el cabezal del hilo sobre la hierba mientras hace funcionar el motor a toda marcha para los cabezales motores a gas o presiona el gatillo del interruptor por completo para los cabezales motores inalámbrico o eléctricos.

- Para los cabezales motores a gas, haga funcionar el motor a toda marcha o presione el gatillo del interruptor por completo para los cabezales motores inalámbrico o eléctricos.
- Golpee levemente el cabezal sobre el suelo para hacer avanzar el hilo. El hilo avanza cada vez que se golpea el cabezal.
- Quizá se necesiten varios golpes hasta que el hilo haga contacto con la cuchilla de corte.
- Reanude el recortado.

NOTA: Si el hilo se gasta hasta quedar muy corto quizá no pueda avanzar el hilo tras golpear el cabezal contra el suelo. Si así fuese, **DETENGA EL MOTOR**, desconecte el cable de la bujía para los cabezales motores a gas, retire el paquete de baterías de las cabezales motores inalámbrico o desconecte la clavija del suministro de corriente para los cabezales motores eléctricos y avance manualmente el hilo.

AVANCE MANUALMENTE EL HILO

Apagar la unidad y desconecte el cable de la bujía para cabezal de potencia a gas, retire el paquete de baterías de las cabezales motores inalámbrico o desconecte la herramienta del suministro de corriente para cabezals eléctrico. Empuje hacia abajo el retén del carrete mientras tira del hilo, o hilos, según sea el caso, para avanzar manualmente el hilo.

MANTENIMIENTO

ADVERTENCIA:

Antes de inspeccionar, limpiar o dar mantenimiento a la máquina, apague el motor, espere hasta que se detengan todas las piezas en movimiento, desconecte el cable de la bujía y apártelo de la bujía o desconecte la herramienta del suministro de corriente. El incumplimiento de estas instrucciones puede provocar lesiones personales graves o daños materiales.

ADVERTENCIA:

Siempre póngase protección ocular con protección lateral con la marca de cumplimiento de la norma ANSI Z87.1. La inobservancia de esta advertencia puede permitir que los objetos lanzados hacia los ojos puedan provocar lesiones graves.

ADVERTENCIA:

Al dar servicio a la unidad, utilice piezas de repuesto que cumplen o superan las especificaciones del producto original. El empleo de piezas diferentes podría causar un peligro o dañar el producto.

AVISO:

Inspeccione periódicamente todo el producto para detectar partes dañadas, faltantes o sueltas, como tornillos, tuercas, pernos, tapas, etc. Apriete firmemente todos los sujetadores y las tapas y no accione este producto hasta que todas las partes faltantes o dañadas sean reemplazadas. Póngase en contacto con el servicio al cliente o con un centro de servicio calificado para obtener ayuda.

MANTENIMIENTO GENERAL

Evite el empleo de solventes al limpiar piezas de plástico. La mayoría de los plásticos son susceptibles a diferentes tipos de solventes comerciales y pueden resultar dañados. Utilice paños limpios para eliminar la suciedad, el polvo, el aceite, la grasa, etc.

ADVERTENCIA:

No permita en ningún momento que fluidos para frenos, gasolina, productos a base de petróleo, aceites penetrantes, etc., lleguen a tocar las piezas de plástico. Los productos químicos pueden dañar, debilitar o destruir el plástico, lo cual podría causar lesiones serias.

REABASTECIMIENTO DEL HILO

Vea las figuras 7 y 8.

Para los cabezales motores a gas o eléctricos, use hilo monofilar de 2,0 mm (0,080 pulg.) o 2,4 mm (0,095 pulg.) de diámetro. Para los cabezales motores inalámbrico, use únicamente hilo monofilar de 2,0 mm (0,080 pulg.) de diámetro.

- Apagar la unidad y desconecte el cable de la bujía para cabezal de potencia a gas, retire el paquete de baterías de las cabezales motores inalámbrico o desconecte la herramienta del suministro de corriente para cabezales eléctrico.
- Gire el perilla percusiva hacia la derecha según sea necesario para alinear las flechas del perilla percusiva con las flechas en el alojamiento del cabezal del hilo.
- Corte una pieza de hilo monofilar de 5,5 m (18 pies) de largo. Inserte el hilo en el ojillo ubicado en el alojamiento de la cabezal de hilo. Empuje hasta que el extremo del hilo salga por el otro lado del cabezal del hilo. Tire del hilo del otro lado hasta que obtenga la misma cantidad de hilo en ambos lados del alojamiento.

NOTA: Es posible que la línea se atasque si carga más de 5,5 metros (18 pies).

- A mano o usando la Speed Winder™, gire el perilla percusiva hacia la derecha para enrollar el hilo en éste hasta obtener aproximadamente 152,4 mm (6 pulg.) de hilo en cada lado.

NOTA: Para obtener mejores resultados, tire de ambos extremos de la línea para lograr mejores resultados de carga y ayudar a evitar que la línea se doble.

- Presione el perilla percusiva a la vez que tira del hilo, o hilos, para avanzar manualmente el hilo.

ELIMINAR ATASCAMIENTO DEL HILO Y/O REEMPLAZAR LA PERILLA PERCUSIVA

Vea las figuras 9 y 10.

- Apagar la unidad y desconecte el cable de la bujía para cabezal de potencia a gas, retire el paquete de baterías de las cabezales motores inalámbrico o desconecte la herramienta del suministro de corriente para cabezales eléctrico.
- Presione las lengüetas en la parte lateral del alojamiento del cabezal de hilo para extraer el alojamiento del cabezal de hilo inferior.

NOTA: El alojamiento se acciona por resorte y se eyectará automáticamente cuando presione las lengüetas. No es necesario quitar el alojamiento del cabezal del hilo del eje de impulsión.

- Empuje el carrete y la perilla percusiva a través del alojamiento de cabezal de hilo y extraiga el hilo del carrete.
- Si reemplaza la perilla percusiva, extraiga la vieja perilla del carrete. Alinee las costillas de la perilla con las ranuras

MANTENIMIENTO

del carrete, y luego coloque la nueva perilla percusiva en el carrete. Si no reemplaza la perilla percusiva, omita este paso.

- Inserte el conjunto de la perilla percusiva y el carrete a través de la apertura del alojamiento del cabezal del hilo.
- Alinee las ranuras del alojamiento del cabezal de hilo inferior con las lengüetas del alojamiento del cabezal de hilo superior.
- Empuje los alojamientos al mismo tiempo hasta que las lengüetas encastran en su lugar.

NOTA: Sostenga el carrete por la perilla mientras completa la instalación.

- Coloque el hilo como se describe en la sección **Reabastecimiento del hilo**.

MONTAJE DEL COLGADOR DE ALMACENAMIENTO

Vea la figura 11.

Hay dos formas de colgar el accesorio para guardarlo.

- Para usar la tapa de suspensión, oprima el botón y coloque la tapa en el extremo del eje del accesorio. Gire levemente la tapa de un lado a otro hasta que quede asegurado en su lugar el botón.
- El orificio secundario del eje del accesorio también se puede utilizar para colgarlo.

ALMACENAMIENTO DEL ACCESORIO

- Almacene el accesorio en un espacio bien ventilado que sea inaccesible para los niños.
- Evite que la unidad entre en contacto con agentes corrosivos como las sustancias químicas para el jardín y las sales para derretir el hielo.

PIEZAS DE REPUESTO

Línea de repuesto:

Trenzada de 2 mm (0,08 pulg.) (a granel)AC04138

Trenzada de 2 mm (0,08 pulg.) (precortado)AC04139

Disponibles en homedepot.com

CORRECCIÓN DE PROBLEMAS

| PROBLEMA | CAUSA POSIBLE | SOLUCIÓN |
|---|--|---|
| El hilo no avanza cuando se usa el cabezal con alimentación automática | El hilo se pegó a sí mismo. | Lubrique con rociador de silicón. |
| | No hay suficiente hilo en el carrete. | Instale más hilo. Vea la sección Reemplazo del hilo arriba en este manual. |
| | El hilo se desgastó hasta quedar muy corto. | Tire de hilo secuencias mientras que presiona el botón. |
| | El hilo está enredado en el carrete. | Retire el hilo del carrete y vuelva a enrollarlo. Vea la sección Reemplazo del hilo arriba en este manual. |
| El césped se enrolla alrededor del alojamiento del eje y del cabezal del hilo | Se está cortando la hierba alta a nivel del suelo. | Corte la hierba alta desde la parte superior hacia abajo. |



LLÁMENOS PRIMERO

Si tiene preguntas sobre el funcionamiento o el mantenimiento este producto, llame al teléfono de atención al consumidor de Ryobi!

La recortadora ha sido probada enteramente antes de embarcarse para asegurar la satisfacción del consumidor.

GARANTÍA

DECLARACIÓN DE LA GARANTÍA LIMITADA

Techtronic Industries North America, Inc. garantiza al comprador original al menudeo que este producto de la marca RYOBI™ carece de defectos en los materiales y en la mano de obra, y acuerda reparar o reemplazar, a la sola discreción de Techtronic Industries North America, Inc., cualquier producto defectuoso, sin cargo alguno al comprador, dentro de los siguientes períodos de tiempo a partir de la fecha de compra.

- Tres años si los productos se emplean para uso personal, familiar o casero;
- 90 días si el producto se emplea para cualquier otro propósito, como el uso comercial o el de alquiler.

Esta garantía se otorga solamente al comprador original al menudeo, y comienza en la fecha de la compra original al menudeo.

Cualquier parte de este producto Techtronic Industries North America, Inc. que, a juicio razonable de la compañía, tenga defectos en los materiales o en la mano de obra, será reparado o reemplazado por un centro de servicio autorizado de herramientas para uso en el exterior de la marca RYOBI™, sin cargo alguno al comprador por concepto de piezas y mano de obra (Centro de Servicio Autorizado Ryobi).

El producto, incluida toda pieza defectuosa, debe enviarse a un centro de servicio autorizado Ryobi dentro del período de la garantía. El gasto de enviar el producto al centro de servicio para cualquier trabajo cubierto por la garantía, así como el gasto de devolverlo al propietario después de la reparación, correrán por cuenta del propietario. La responsabilidad de Techtronic Industries North America, Inc. con respecto a todo reclamo se limita a las reparaciones o reemplazo del producto, y ningún reclamo de incumplimiento de la garantía será causante de la cancelación o rescisión del contrato de venta de ninguna herramienta de uso en el exterior de la marca RYOBI™. En el establecimiento se requerirá el recibo de compra para respaldar cualquier reclamo al amparo de la garantía. Todo trabajo cubierto en la garantía debe ser realizado por un concesionario de servicio autorizado.

Esta garantía se limita a noventa (90) días a partir de la fecha original de la compra de cualquier herramienta de uso en el exterior de la marca RYOBI™ empleada para propósitos comerciales o de alquiler, o cualquier otro propósito generador de ingresos.

Esta garantía no cubre ningún producto que haya sido sujeto a un uso indebido, maltrato, negligencia o accidente, o que haya sido utilizado de cualquier forma contraria a las instrucciones de manejo especificadas en el manual del operador del producto. Esta garantía no aplica a ningún daño en el producto que resulte de un mantenimiento indebido ni a ningún producto que haya sido alterado o modificado. La garantía no cubre ninguna reparación necesaria por el uso normal ni por el uso de piezas o accesorios que sean incompatibles con la herramienta para uso exterior de la marca RYOBI™, o afecten de forma desfavorable su funcionamiento, desempeño o durabilidad.

Además, esta garantía no cubre:

A. Afinación – Bujías, carburador, ajustes del carburador, encendido, filtros

B. Artículos sujetos a desgaste – Perillas de tope, carretes exteriores, hilos de corte, carretes interiores, poleas del arrancador, cuerdas del arrancador, correas de transmisión, aspas, arandelas de fieltro y pasadores de enganche, hojas de triturar, ventiladores de sopladoras, tubos de sopladoras y de aspiradoras, sacos y correas de aspiradoras, barras guía y cadenas de sierras

Techtronic Industries North America, Inc. se reserva el derecho a cambiar o mejorar el diseño de cualquier herramienta para uso en el exterior de la marca RYOBI™ sin asumir ninguna obligación de modificar ningún producto fabricado previamente.

TODAS LAS GARANTÍAS IMPLÍCITAS ESTÁN LIMITADAS EN DURACIÓN SEGÚN EL PERÍODO DE GARANTÍA DECLARADA. POR CONSIGUIENTE, CUALQUIER GARANTÍA IMPLÍCITA, INCLUSO LAS DE COMERCIABILIDAD, IDONEIDAD PARA UN PROPÓSITO EN PARTICULAR, O DE CUALQUIER TIPO, PIERDEN TOTALMENTE SU VALIDEZ DESPUÉS DEL VENCIMIENTO DEL PERÍODO DE GARANTÍA CORRESPONDIENTE DE TRES AÑOS O NOVENTA DÍAS. DE CONFORMIDAD CON ESTA GARANTÍA, LA OBLIGACIÓN DE TECHTRONIC INDUSTRIES NORTH AMERICA, INC. SE LIMITA ESTRICTA Y EXCLUSIVAMENTE A LA REPARACIÓN O REPLAZO DE LAS PIEZAS DEFECTUOSAS, Y TECHTRONIC INDUSTRIES NORTH AMERICA, INC. NO ASUME NINGUNA OTRA OBLIGACIÓN, NI AUTORIZA A NADIE ASUMIRLA A NOMBRE DE DICHA COMPAÑÍA. ALGUNOS ESTADOS NO PERMITEN LIMITACIONES EN CUANTO A LA DURACIÓN DE UNA GARANTÍA IMPLÍCITA, POR LO CUAL ES POSIBLE QUE LA LIMITACIÓN ANTERIOR NO SE APLIQUE EN EL CASO DE USTED. TECHTRONIC INDUSTRIES NORTH AMERICA, INC. NO ASUME NINGUNA RESPONSABILIDAD POR DAÑOS DIRECTOS, INDIRECTOS O DE NINGÚN OTRO TIPO, COMO EL GASTO DE ENVIAR EL PRODUCTO A UN CENTRO DE SERVICIO AUTORIZADO RYOBI Y EL GASTO DE ENVIARLO DE ALLÍ AL PROPIETARIO, EL TIEMPO DE VIAJE DEL MECÁNICO, CARGOS TELEFÓNICOS O TELEGRÁFICOS, ALQUILER DE UN PRODUCTO SUSTITUTO DURANTE EL TIEMPO DE REALIZACIÓN DEL SERVICIO DE LA GARANTÍA, VIAJES, PÉRDIDA O DAÑOS A OBJETOS DE PROPIEDAD PERSONAL, PÉRDIDA DE INGRESOS, PÉRDIDA DEL USO DEL PRODUCTO, PÉRDIDA DE TIEMPO O INCONVENIENTES. EN ALGUNOS ESTADOS NO SE PERMITE LA EXCLUSIÓN O LIMITACIÓN DE DAÑOS DIRECTOS O INDIRECTOS, POR LO CUAL ES POSIBLE QUE LA LIMITACIÓN O EXCLUSIÓN DESCRITA ARRIBA NO SE APLIQUE EN SU CASO.

Esta garantía le confiere derechos legales específicos, y es posible que usted goce de otros derechos, los cuales pueden variar de estado a estado.

Esta garantía se aplica a todas las herramientas para uso en el exterior de la marca RYOBI™ fabricadas por Techtronic Industries North America, Inc. y vendidos en Estados Unidos y Canadá.

Para encontrar el centro de servicio autorizado Ryobi más cercano a usted, llame al 1-800-860-4050.



EXPAND-IT
ATTACHMENTS

OPERATOR'S MANUAL

MANUEL D'UTILISATION / MANUAL DEL OPERADOR

STRAIGHT SHAFT TRIMMER ATTACHMENT

ARBRE DROIT ACCESSOIRE TAILLE-BORDURES

ACCESORIO PARA RECORTAR DE EJE RECTO

RYSST44

- **PARTS AND SERVICE:** Prior to requesting service or purchasing replacement parts, please obtain your item, manufacturing, and serial numbers from the product data plate.

ITEM NO. _____

MANUFACTURING NO. _____

SERIAL NO. _____

HOW TO OBTAIN REPLACEMENT PARTS: Replacement parts can be purchased online at www.ryobitools.com or by calling 1-800-860-4050. Replacement parts can also be obtained at one of our service centers.

HOW TO LOCATE A SERVICE CENTER: Service centers can be located online at www.ryobitools.com or by calling 1-800-860-4050.

HOW TO OBTAIN CUSTOMER OR TECHNICAL SUPPORT: To obtain customer or technical support please contact us at 1-800-860-4050.

RYOBI is a trademark of Ryobi Limited and is used pursuant to a license granted by Ryobi Limited.

- **PIÈCES ET SERVICE :** Avant de faire la demande de service ou l'achat de pièces de remplacement, veuillez obtenir le numéro d'article, le numéro de fabrication et le numéro de série à partir de la plaque de données du produit.

NUMÉRO D'ARTICLE _____

NUMÉRO DE FABRICATION _____

NUMÉRO DE SÉRIE _____

COMMENT OBTENIR LES PIÈCES DE REMPLACEMENT : Les pièces de remplacement peuvent être achetées en ligne sur le site www.ryobitools.com ou par téléphone au 1-800-860-4050. Les pièces de remplacement peuvent être obtenues à un de nos centres de service.

COMMENT TROUVER UN CENTRE DE SERVICE : Les centres de service peuvent être localisés en ligne au www.ryobitools.com ou en téléphonant au 1-800-860-4050.

COMMENT OBTENIR DE L'AIDE EN CONTACTANT LE SERVICE À LA CLIENTÈLE : Pour contacter le service à la clientèle pour une question technique ou pour tout autre renseignement, veuillez nous téléphoner au 1-800-860-4050.

RYOBI est une marque de Ryobi Limited et est utilisée en vertu d'une licence accordée par Ryobi Limited.

- **PIEZAS DE REPUESTO Y SERVICIO:** Antes de solicitar servicio técnico o comprar piezas de repuesto, obtenga su número de artículo, el número de fabricación y el número de serie de la placa de datos del producto.

NÚMERO DE ARTÍCULO _____

NÚMERO DE FABRICACIÓN _____

NÚMERO DE SERIE _____

CÓMO OBTENER PIEZAS DE REPUESTO: Las piezas de repuesto se pueden comprar en nuestro sitio en la red mundial, en la dirección www.ryobitools.com o llamando al 1-800-860-4050. Las piezas de repuesto también se pueden obtener en uno de nuestros centros de servicio.

CÓMO LOCALIZAR UN CENTRO DE SERVICIO: Puede encontrar los centros de servicio visitando nuestro sitio en la red mundial, en la dirección www.ryobitools.com or by calling 1-800-860-4050.

CÓMO OBTENER SERVICIO O ASISTENCIA TÉCNICA AL CONSUMIDOR: Para obtener servicio o asistencia técnica al consumidor, sírvase comunicarse con nosotros llamando al 1-800-860-4050.

RYOBI es una marca de Ryobi Limited y se utiliza conforme a una licencia otorgada por Ryobi Limited.

TECHTRONIC INDUSTRIES POWER EQUIPMENT

995000172
10-30-17 (REV:02)

1428 Pearman Dairy Road, Anderson, SC 29625 USA
1-800-860-4050 • www.ryobitools.com