

# Watts Plus Portable Bluetooth Boombox

User's Guide for Model IBB503GEO v3139-01



## Important Safety Instructions

- Read these Instructions.
- Keep these Instructions.
- Heed all Warnings.
- Follow all instructions.
- Do not use this apparatus near water.
- Clean only with a dry cloth.
- Do not block any ventilation openings. Install in accordance with the manufacturer's instructions.
- Do not install near any heat sources such as radiators, heat registers, stoves, or other apparatus (including amplifiers) that produce heat.
- Do not defeat the safety purpose of the polarized or grounding - type plug. A polarized plug has two blades with one wider than the other. A grounding type plug has two blades and a third grounding prong. The wide blade or the third prong are provided for your safety. When the provided plug does not fit into your outlet, consult an electrician for replacement of the obsolete outlet.
- Protect the power cord from being walked on or pinched particularly at plugs, convenience receptacles, and the point where they exit from the apparatus.
- Only use attachments/accessories specified by the manufacturer.
- Unplug this apparatus during lightning storms or when unused for long periods of time.
- Refer all servicing to qualified service personnel. Servicing is required when the apparatus has been damaged in any way, such as power-supply cord or plug is damaged, liquid has been spilled or objects have fallen into the apparatus, the apparatus has been exposed to rain or moisture, does not operate normally, or has been dropped.

## FCC Warnings

Warning: Changes or modifications to this unit not expressly approved by the party responsible for compliance could void the user's authority to operate the equipment.

NOTE: This equipment has been tested and found to comply with the limits for a Class B digital device, pursuant to Part 15 of the FCC Rules. These limits are designed to provide reasonable protection against harmful interference in a residential installation. This equipment generates, uses, and can radiate radio frequency energy and, if not installed and used in accordance with the instructions, may cause harmful interference to radio communications. However,

there is no guarantee that interference will not occur in a particular installation. If this equipment does cause harmful interference to radio or television reception, which can be determined by turning the equipment off and on, the user is encouraged to try to correct the interference by one or more of the following measures:

- Reorient or relocate the receiving antenna.
- Increase the separation between the equipment and receiver.
- Connect the equipment into an outlet on a circuit different from that to which the receiver is connected.
- Consult the dealer or an experienced radio/TV technician for help.

## Additional Warnings and Precautions

- **CAUTION: TO PREVENT ELECTRIC SHOCK, MATCH WIDE BLADE OF PLUG TO WIDE SLOT, FULLY INSERT.**
- Mains plug is used as disconnect device and it should remain readily operable during intended use. In order to disconnect the apparatus from the mains completely, the mains plug should be disconnected from the mains socket outlet completely.
- **WARNING: Shock hazard - Do Not Open.**
- **CAUTION: Use of controls or adjustments or performance of procedures other than those specified may result in hazardous radiation exposure.**
- **WARNING: Changes or modifications to this unit not expressly approved by the party responsible for compliance could void the user's authority to operate the equipment.**
- **WARNING: Do not place this unit directly onto furniture surfaces with any type of soft, porous, or sensitive finish. As with any rubber compound made with oils, the feet could cause marks or staining where the feet reside. We recommend using a protective barrier such as a cloth or a piece of glass between the unit and the surface to reduce the risk of damage and/or staining.**
- **WARNING: Do not ingest battery, chemical burn hazard.**
- Battery shall not be exposed to excessive heat such as sunshine, fire or the like.
- Lithium batteries, like all rechargeable batteries, are recyclable and should be recycled or disposed of according to state and local guidelines. They should never be disposed of in normal household waste, and they should never be incinerated, as they might explode. Contact your local government for disposal or recycling practices in your area.



**WARNING:** To reduce the risk of electric shock, do not remove cover (or back). No user-serviceable parts inside. Refer servicing to qualified service personnel.



The exclamation point within an equilateral triangle is intended to alert the user to the presence of important operating and maintenance (servicing) instructions in the literature accompanying the appliance.



The lightning flash with arrowhead symbol, within an equilateral triangle, is intended to alert the user to the presence of un-insulated "dangerous voltage" within the product's enclosure that may be of sufficient magnitude to constitute a risk of electric shock to persons.



This symbol indicates that this product incorporates double insulation between hazardous mains voltage and user accessible parts.



**WARNING:** This product can expose you to chemicals including lead, which is known to the State of California to cause cancer. For more information go to: [www.P65Warnings.ca.gov](http://www.P65Warnings.ca.gov) This product meets and complies with required Federal product guidelines.

## Features

- Bluetooth 5.0 – range 49 ft.
- FM scan radio
- 3.5mm Aux In
- MicroSD slot and USB port
- 2 microphone inputs
- Carry handle
- Rechargeable battery

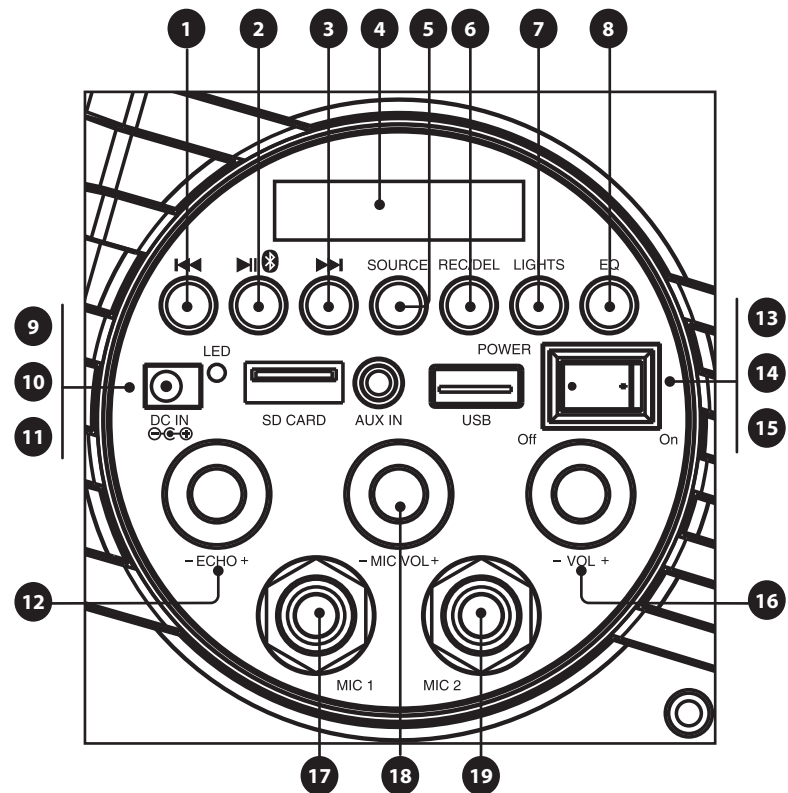
## Includes

- User's guide
- AC/DC power adapter
- 3.5mm audio cable
- Removable shoulder strap

## Controls and Functions

1. **Previous Track/Channel:** In Bluetooth/External Media mode, press to select the previous track. In FM Radio mode, after completing a full station search, press to select the previous station.
2. **Play/Pause/Pair/Scan:**
  - In Bluetooth/External Media mode, press to play/pause tracks.
  - In Aux In and FM Radio mode, press to mute and unmute volume.
  - In External Media mode, press and hold to select one of four playback sequences.
  - In FM Radio mode, press and hold to perform a full station search.
  - Press and hold to manually enter pairing mode.
3. **Next Track/Channel:** In Bluetooth/External Media mode, press to select the next track. In FM Radio mode, after completing a full station search, press to select the next station.
4. **LED Screen:** Displays source/EQ information.
5. **Source:** Press once to switch between External Media/Aux/Bluetooth/Radio modes. Press and hold to switch between a source MP3 folder and a recording MP3 folder. Press and hold for 5 seconds to turn Voice Prompts on/off.
6. **Record/Delete:** Press to start recording. Press again to finish recording. Press and hold to delete a recording. Note: When recording, the Echo knob should be turned all the way down.
7. **Lights:** Press to turn RGB lights in speakers on/off
8. **Equalizer:** In Bluetooth/External Media mode, press to switch between audio equalizer presets: Normal, Pop, Rock, Jazz, Classical, Cut, Club.

## Overview

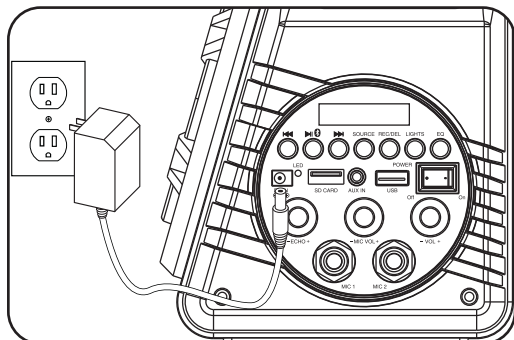


9. **DC Power Input:** Plug in the Power Cord to charge the unit.
10. **Indicator LED:** When charging, the LED will display a RED light. When finished charging, the LED will turn off.
11. **MicroSD Slot:** Supports MicroSD cards up to 32G (FAT32 format).
12. **Echo +/-:** Adjust microphone echo/reverberation.
13. **Aux In (3.5mm Input):** 3.5mm input jack.
14. **USB Input:** Supports USB Drives up to 32G (FAT32 format).
15. **Power On/Off:** Power speaker ON/OFF.
16. **Volume +/-:** Adjust playback volume.
17. **Microphone Input 1:** Microphone input jack.
18. **Microphone Volume +/-:** Adjust microphone volume.
19. **Microphone Input 2:** Microphone input jack

**Note:** Voice prompt volume is set to a default level. To avoid loud start up voice prompts, turn down the volume before powering on the unit.

## Charging the Unit

Connect the AC/DC Power Adapter to the **DC Power Input** on the unit, then plug into a standard power outlet. While charging, the **Indicator LED** will display a RED light. When finished charging, the **Indicator LED** will turn off. Charge time is approximately 4–5 hours.



## Bluetooth Wireless

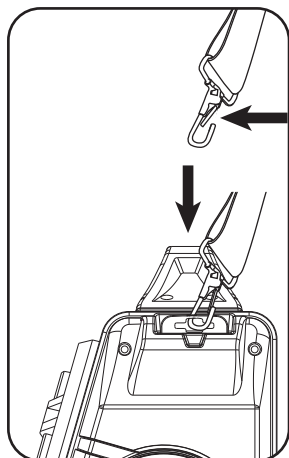
### Pairing & Playing Audio

1. When powered on, the unit will enter Bluetooth Mode automatically. To enter Bluetooth Mode from another mode, press the **Source** button. The LED Display will say "BLUE" when the unit is in Bluetooth mode.
2. Using the Bluetooth setting on your device, search for new devices and select **IBB503**. Refer to the user's manual for your specific device for instructions on pairing and connecting Bluetooth devices.
3. When successfully paired, a voice prompt will announce the connection.
4. Use the controls on the connected device to select and begin playing audio. Use the controls on the unit or the connected device to play, pause, and adjust volume.

**Note:** The unit will automatically connect to the last paired device when powering on. If your device becomes unpaired or it is unable to connect, press and hold the Play button to enter pairing mode. A voice prompt will announce "Bluetooth is connecting" start from step two to connect to your device.

## Attaching the Shoulder Strap

Push in the latch on the clip and hook it on to the loop on the side of the boombox. Repeat on the other side.



## Customer Support

To download this User's Guide in English, Spanish, or French, or to get answers to frequently asked questions, visit the support section at: [www.iLiveElectronics.com](http://www.iLiveElectronics.com)

Para descargar este Manual del Usuario en inglés, español y francés, o para obtener respuestas a preguntas frecuentes, visite la sección de apoyo en: [www.iLiveElectronics.com](http://www.iLiveElectronics.com)

Pour télécharger ce guide de l'utilisateur en anglais, espagnol ou français, ou pour obtenir des réponses à des questions fréquemment posées, consultez la rubrique d'assistance sur: [www.iLiveElectronics.com](http://www.iLiveElectronics.com)

For Warranty Information and the most up-to-date version of this User's Guide, go to [www.iLiveElectronics.com](http://www.iLiveElectronics.com)  
Customer Service: **1-888-999-4215** | Email Support: [prodinfo@dpiinc.com](mailto:prodinfo@dpiinc.com) | Email Parts: [partsinfo@dpiinc.com](mailto:partsinfo@dpiinc.com)

Copyright © 2023 Digital Products International (DPI, Inc.) All other trademarks appearing herein are the property of their respective owners. Specifications are subject to change without notice.

## MicroSD and USB

Supports MicroSD cards and USB Drives up to 32GB in FAT23 format.

1. Insert a MicroSD card into the **MicroSD Slot** or a USB drive into the **USB Port** on the unit.
2. The speaker will automatically switch to **USB/MicroSD (External Media)** mode. To enter External Media mode from another source, press the Mode button.
3. Press and hold the **Play/Pause/Pair/Scan** button to select one of four playback modes: ALL (Play all tracks in order), RAND (Random track order), ONE (Repeat one track), FOL (Repeat all tracks within a folder).

## FM Radio

When in FM Radio mode, the LED display will say either the station number or "Pxx," the saved station number.

1. Press the **Mode** button to select FM Radio.
2. Press and hold the **Play/Pause/Scan** button about five seconds to perform a full station search.
3. Use the **Next** and **Previous** buttons to navigate found stations.

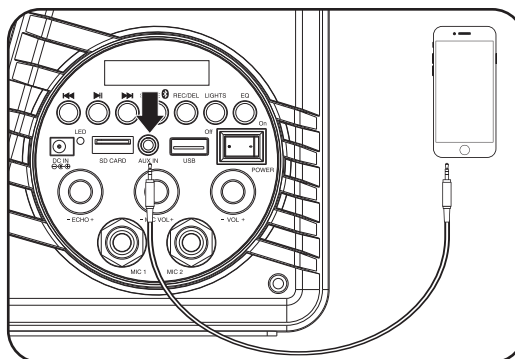
**Note:** During a full station search, the unit will store stations as "Pxx," for example, "P01," "P02," etc. The unit will remember saved stations when powered off and on again. Press and hold the **Play/Pause/Pair/Scan** button to clear saved stations and perform a new full station search.

## Aux In

Requires a 3.5mm audio cable.

1. Connect a 3.5mm audio cable to the **Aux In** on the unit and the **audio output/headphone jack** on an audio device.
2. The unit will automatically switch to **Aux in** mode. To switch to Aux Mode from another source, press the **Source** button.
3. Use the controls on the connected device to select and play audio.

**Note:** If the playback volume through the unit is low, make sure the volume level on your connected device is turned up.



## Recording via Microphone

Requires a microphone and microphone cable (not included).

1. Insert a MicroSD card or USB drive into the unit.
2. Connect the microphone to one end of the microphone cable first. Then, connect the other end to one of the **Microphone Inputs**.
3. Press the **Record** button to begin recording. Press again to finish recording.

**Note:** Recording can last for as long as the external storage device allows. Check the available storage on your external device before recording. When recording, keep the microphone at a distance from the unit to avoid feedback. The **Echo** knob should be turned all the way down during recording.



**Protect for Today  
Sustain for Tomorrow**