



your global source for unique lighting + home decor

# Instructions - 3GEN Battery Box

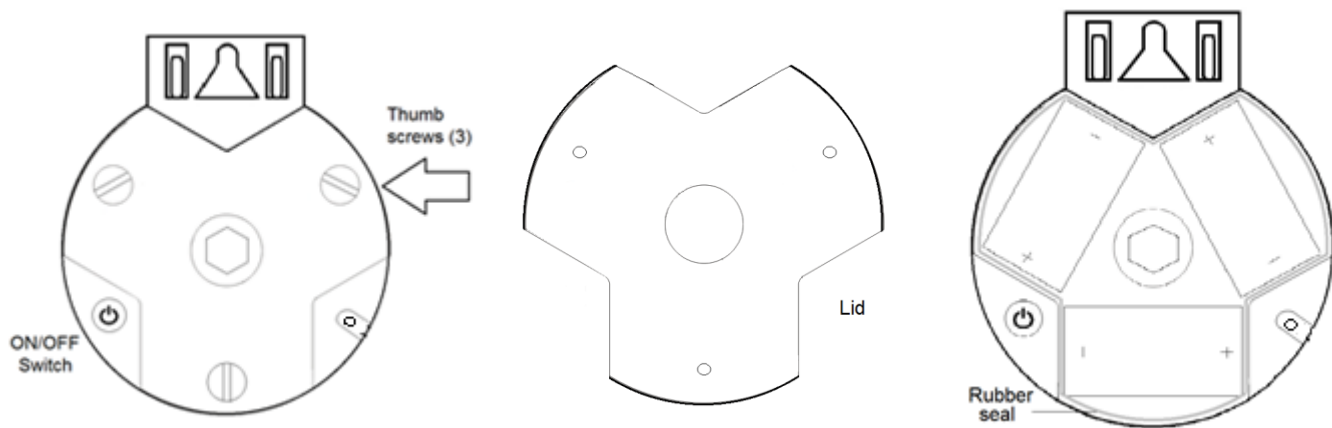
## Wall Sconce (indoor)

**\*DUAL POWER OPERATION-** You may use this item with Batteries or Plug-in with the provided adapter.

### PARTS

Battery Box	Remote Control	Adapter	Wire	Hardware	Batteries
					3 x "C" Batteries (not included)  1 x A23 For Remote Control (not included)

**BATTERIES Operation** – these figures are from the Battery Box back.



1. Open the Battery Box Lid removing the three thumb screws indicated in the diagram. You may use a coin to turn the screws.
2. Install the three "C" batteries (not included) ensuring to follow the polarity signs.
3. Place the Lid back in place securing the three thumb screws (ensure the rubber seal on the perimeter of the battery box compartment is in place before securing the lid).

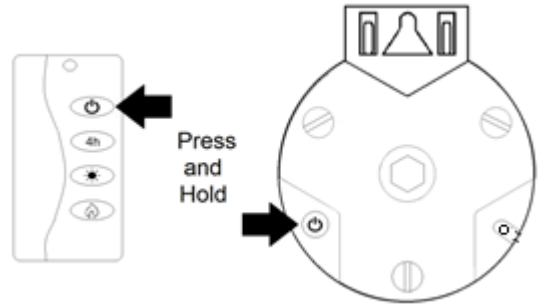
### PLUG-IN Operation

Connect the Battery Box DC Jack.

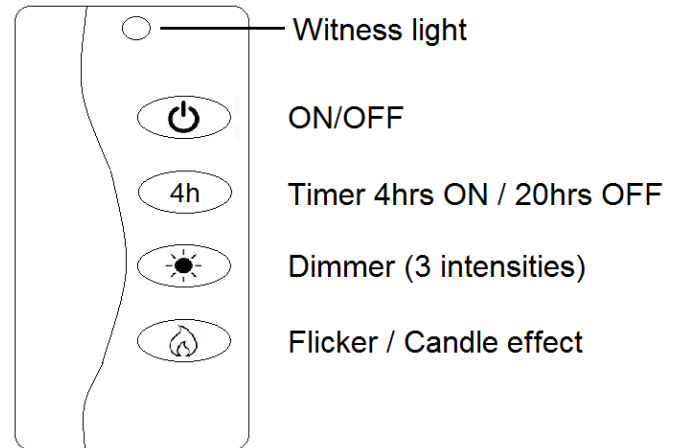
**⚠ CAUTION** – Remove the batteries from the Battery Box if you intend to use the Plug-in operation with Adapter for long periods of time. The batteries might leak if left for long periods unused in the battery box.

## REMOTE CONTROL Operation

1. Install the required A23 Battery (not included) in the back of the Remote Control. Follow the indicated polarity direction.
2. Pair the Remote Control, the batteries must be installed in the Remote and the Battery Box (or Plugged-in).
3. “Press and hold” the ON/OFF switch from the back of the Battery Box **and** at the same time “press and hold” the ON/OFF button from the Remote **until** the light blinks.
4. Timer operation, the lights will flash once when pressing the button indicating the 4hrs ON / 20hrs OFF has started. If pressed again it will blink twice indicating the timer deactivation.



- ⚠ **WARNING** – THIS IS NOT A TOY! - Keep the Remote Control away from children. The Lid from the compartment and Battery might accidentally come lose, these are small parts.

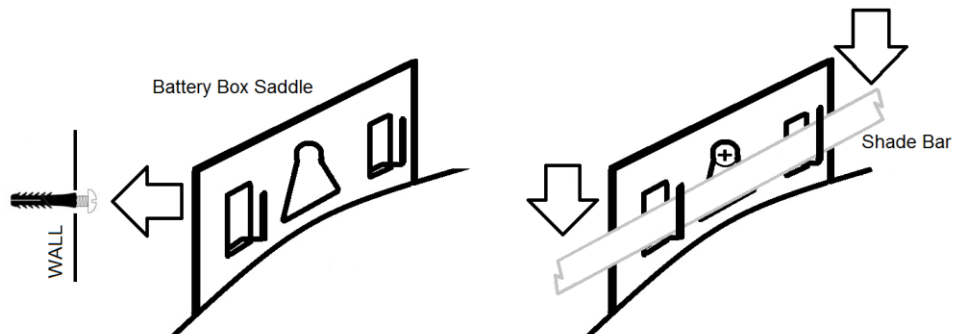


## HANGING THE BATTERY BOX AND SHADE

Install the wall anchor and screw, the screw head needs to be separated from the wall by 1/4” approximately.

- ⚠ **WARNING** – The wall anchor must be mounted on your building structure, it must be able to support at least 20 Lbs.

1. Let the Battery Box Saddle rest on the screw, ensure the screw head sits on the top of the triangle opening of the Saddle.
2. Carefully install the Shade letting the Shade Bar rest on the Saddle as indicated in the diagram.



**Note:** Always use three (3) new batteries. Do not mix old and new batteries, Alkaline, standard (carbon-zinc) or rechargeable (nickel-cadmium) batteries.

DISPOSE OF BATTERIES IN ACCORANCE WITH LOCAL AND FEDERAL LAWS. DO NOT EXPOSE BATTERIES TO FIRE OR WATER. DO NOT ATTEMPT TO USE DIFFERENT SIZED/TYPES OF BATTERIES OR INSTALL BATTERIES BACKWARDS. NEVER TOUCH DAMAGED OR LEAKING BATTERIES, THIS COULD RESULT IN BURN INJURIES OR CAUSE SERIOUS INTERNAL INJURES IF SWALLOWED.

Made in China