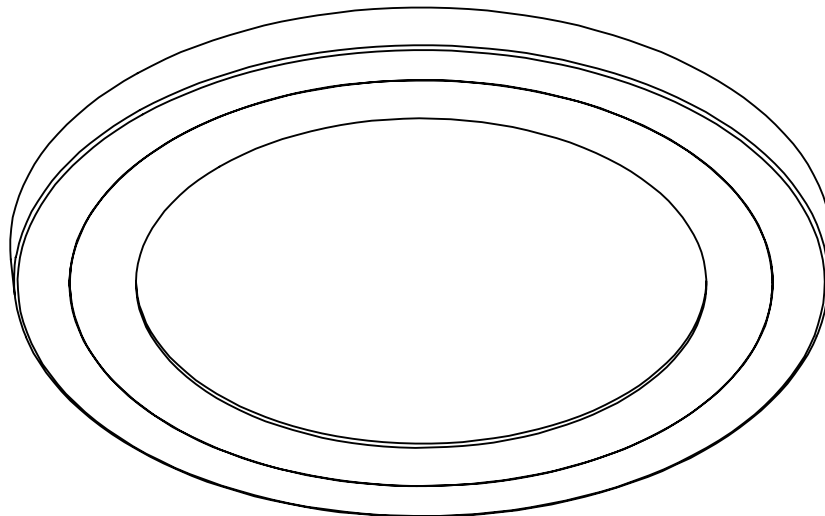


HAMPTON BAY®

USE AND CARE GUIDE

Clement 13 Inch Panel with Night Light



Questions, problems, missing parts? Before returning to the store,
call Hampton Bay Customer Service
8 a.m. - 7 p.m., EST, Monday - Friday, 9 a.m. - 6 p.m., EST, Saturday

1-855-HD-HAMPTON
HAMPTONBAY.COM

THANK YOU

*We appreciate the trust and confidence you have placed in Hampton Bay through the purchase of this fixture.
We strive to continually create quality products designed to enhance your home. Visit us online to see our full line of products available for
your home improvement needs. Thank you for choosing Hampton Bay!*

Table of Contents

Table of Contents	2
Safety Information	2
FCC Statement	2
Warranty	2
Pre-Installation	3
Installation	4
Color Select Instructions	5

Safety Information

Please read and understand this entire manual before attempting to assemble, operate or install the product.

For your safety, always remember to:

- Turn off the power supply at the fuse or circuit breaker box before you install the fixture.
- Double-check all connections to be sure they are tight and correct.
- Wear rubber soled shoes and work on a sturdy wooden ladder.
- Account for small parts and destroy packing material, as these may be hazardous to children.

This fixture is designed for use in a circuit protected by a fuse or circuit breaker. It is also designed to be installed in accordance with local electrical codes. If you are unsure about your wiring, consult a qualified electrician or local electrical inspector and check your local electrical code.

MIN 90°C SUPPLY CONDUCTORS

SAVE THESE INSTRUCTIONS



WARNING: RISK OF SHOCK House electric current can cause painful shock or serious injury unless handled properly.



CAUTION: TURN OFF THE MAIN POWER AT THE CIRCUIT BREAKER BEFORE INSTALLING THE FIXTURE, IN ORDER TO PREVENT POSSIBLE SHOCK.

NOTICE: All electrical connections must be in accordance with local and National Electrical Code (N.E.C.) standards. If you are unfamiliar with proper electrical wiring connections obtain the services of a qualified electrician.

Remove the fixture and the mounting package from the box and make sure that no parts are missing by referencing the illustrations on the installation instructions.

Supplier's Declaration of Conformity:
47 CFR § 2.1077 Compliance Information

Responsible Party:
Feit Electric Company
4901 Gregg Road,
Pico Rivera, CA 90660, USA
562-463-2852

Unique Identifier:
F13/3CCT/NL/HD (1005 723 114)

FCC Statement

This device complies with part 15 of the FCC Rules. Operation is subject to the following two conditions:

(1) This device may not cause harmful interference, and (2) this device must accept any interference received, including interference that may cause undesired operation. Note: This equipment has been tested and found to comply with the limits for a Class B digital device, pursuant to part 15 of the FCC Rules. These limits are designed to provide reasonable protection against harmful interference in a residential installation. This equipment generates, uses and can radiate radio frequency energy and, if not installed and used in accordance with the instructions, may cause harmful interference to radio communications. However, there is no guarantee that interference will not occur in a particular installation. If this equipment does cause harmful interference to radio or television reception, which can be determined by turning the equipment off and on, the user is encouraged to try to correct the interference by one or more of the following measures: Reorient or relocate the receiving antenna. Increase the separation between the equipment and receiver. Connect the equipment into an outlet on a circuit different from that to which the receiver is connected. Consult the dealer or an experienced radio/TV technician for help. Any changes or modifications not expressly approved by the manufacturer could void the user's authority to operate the equipment.

Limited Warranty

This product is warrantied to be free from defects in workmanship and materials for up to 5 years from date of purchase. If it fails to do so, please contact the Customer Service Team at 1-855-HD-HAMPTON or visit www.hamptonbay.com.

TOOLS REQUIRED

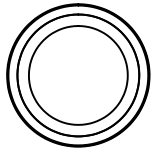


Phillips
Screwdriver

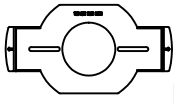
HARDWARE INCLUDED



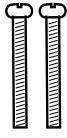
NOTE: Hardware not shown to actual size.



AA



BB



CC



DD

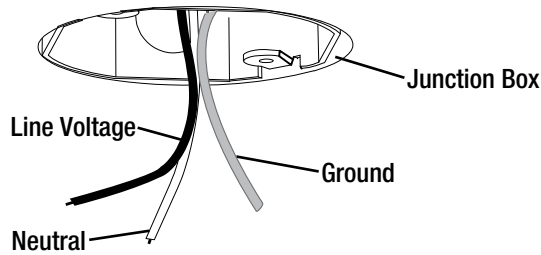
Part	Description	Quantity
AA	13 inch Fixture	1
BB	Mounting Bracket	1
CC	J-Box Mounting Screws	2
DD	Wire Connectors	3

1 Turning Off the Power

Turn the power OFF at the fusebox or the circuit breaker.

2 Identifying the Wires

1. Line Voltage - Black, Neutral - White, Ground - Bare Copper

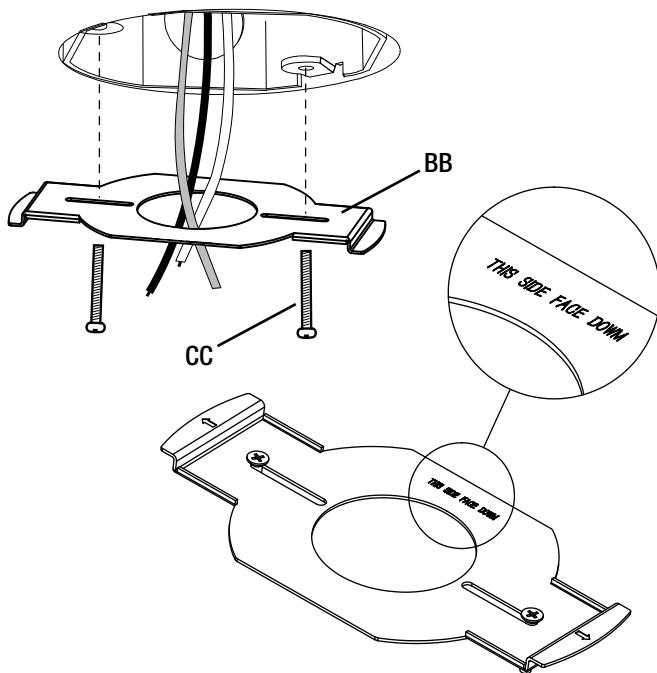


3 Installing the Mounting Bracket to the Junction Box

1. Feed the junction box wires through the center of the mounting plate (BB).
2. Attach the mounting plate (BB) to the junction box using two J-box mounting screws (CC).

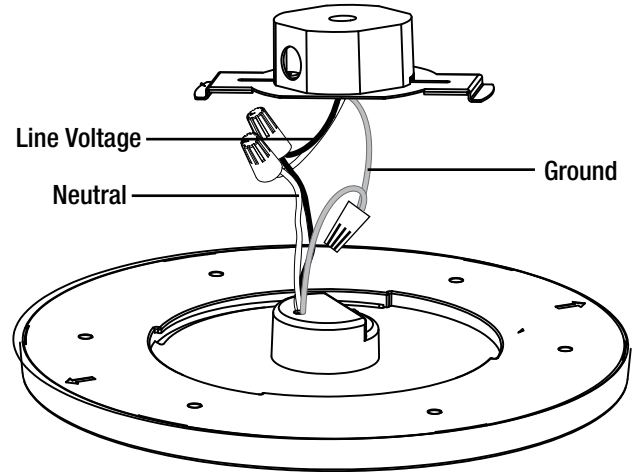


NOTE: Make sure the mounting bracket (BB) is installed with the label facing downwards.



4 Connecting the Wires

Connect the wires of the fixture to the wires from the J-box. (Black to Line Voltage, White to Neutral and Ground to Bare Copper)

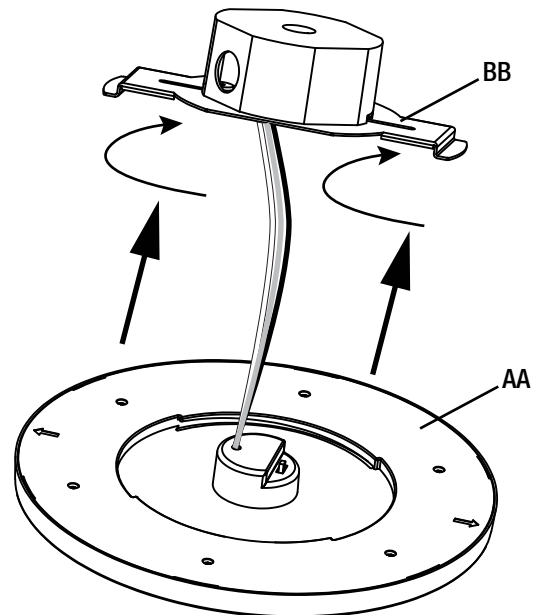


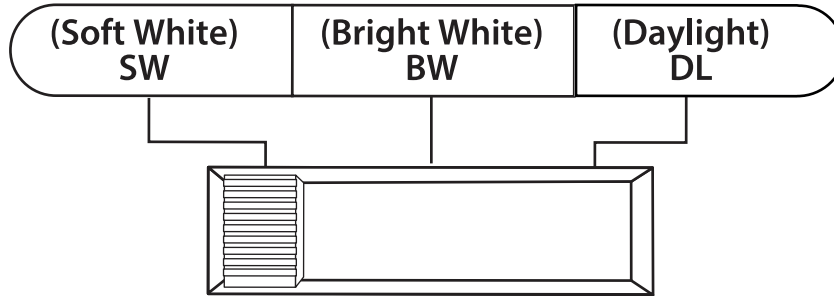
5 Installing the Fixture

1. Feed the wires through the mounting bracket's (BB) center hole into the junction box.
2. Raise the fixture (AA) to the mounting bracket (BB). Align the arrows on the fixture (AA) to the mounting bracket (BB).
3. Twist the fixture (AA) clockwise to lock in place firmly.



NOTE: Select the preferred color temperature by using the switch behind the fixture (AA). Refer to the "Color Select Instructions" section.





The fixture is dimmable from 10% - 100%

PRESELECT THE COLOR TEMPERATURE FOR YOUR PRIMARY LIGHT BY USING THE SWITCH BEHIND THE FIXTURE PRIOR TO INSTALLATION.

- When the Slide switch is set to SW (Soft White), the color temperature is set at 3000K
- When the slide switch is set to BW (Bright White), the color temperature is set at 4000K.
- When the slide switch is set to DL (Daylight), the color temperature is set at 5000K.

CHANGE BETWEEN THE PRIMARY LIGHT TO NIGHT LIGHT BY USING THE LIGHT SWITCH.



- Toggle the light switch ON and OFF within 0.5-3 seconds to cycle through the primary light and night light.
- If the fixture is left off for more than 10 seconds, the light will automatically default to primary light when turned ON.



NOTE: The night light color temperature is 2200K.

HAMPTON BAY®

Questions, problems, missing parts? Before returning to the store,
call Hampton Bay Customer Service
8 a.m. - 7 p.m., EST, Monday - Friday, 9 a.m. - 6 p.m., EST, Saturday

1-855-HD-HAMPTON
HAMPTONBAY.COM

READ AND FOLLOW ALL SAFETY INSTRUCTIONS