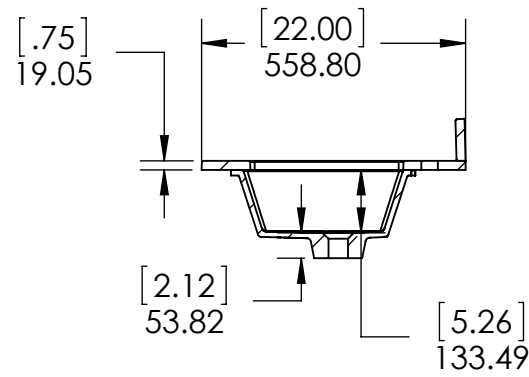
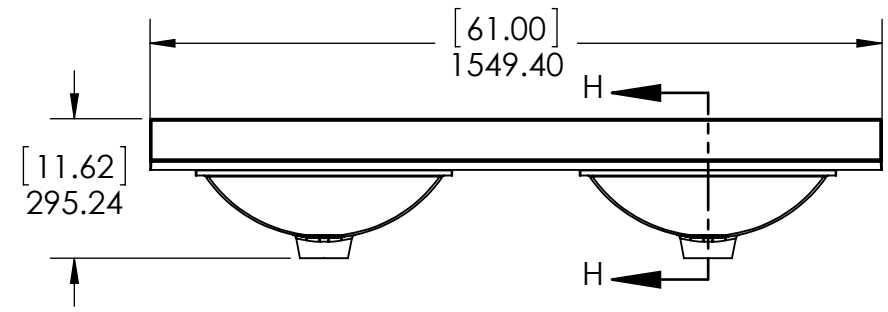
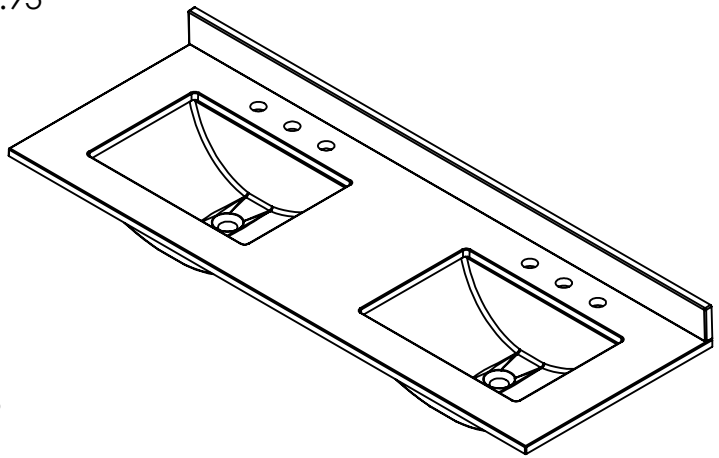
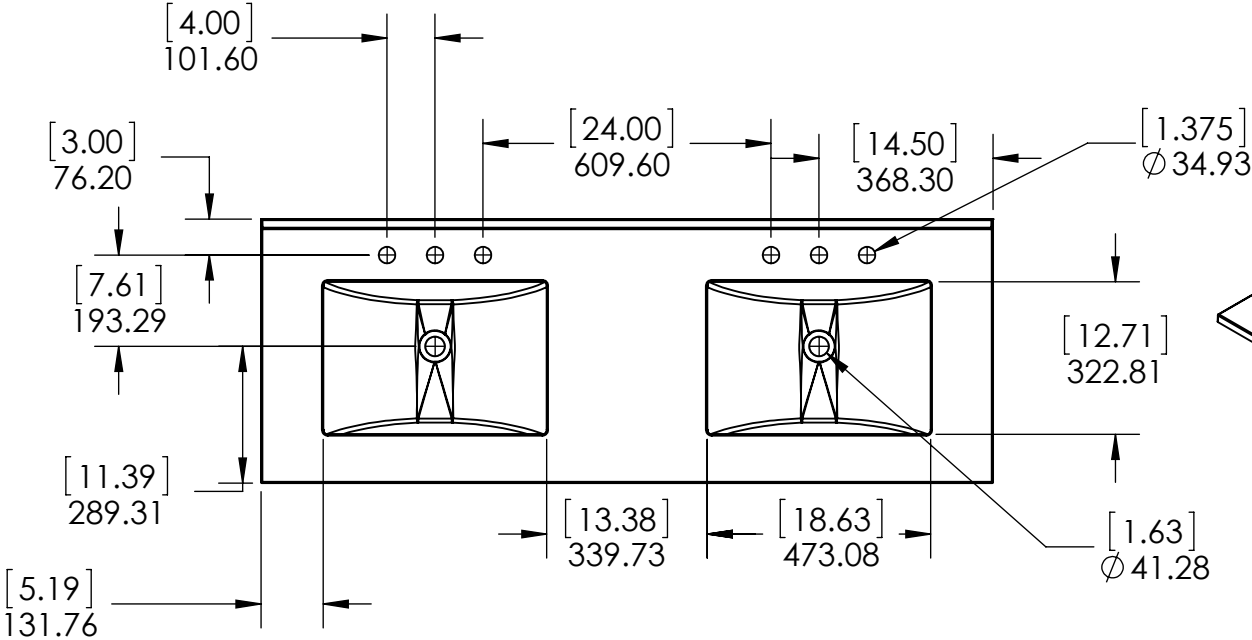


Rev #	Approved by	Change
0	R. Rubio	Released



PROPRIETARY AND CONFIDENTIAL
 THE INFORMATION CONTAINED IN THIS DRAWING IS THE SOLE PROPERTY OF WOODCRAFTERS. ANY REPRODUCTION IN PART OR AS A WHOLE WITHOUT THE WRITTEN PERMISSION OF WOODCRAFTERS IS PROHIBITED.

UNLESS OTHERWISE SPECIFIED
 DIMENSIONS ARE IN MM. AND (INCHES)
 TOLERANCES ARE
 +0.125 [3.175] -0.125 [-3.175]
 SCALE:1:16


	NAME	DATE
DRAWN	J.Martinez	08/12/16
CHECKED	E. Sandoval	08/12/16
ENG APPR.	R. Rubio	08/12/16
MFG APPR.	C. Leal	08/12/16

Wood Crafters

SIZE DWG. NO. **A** Shark Tank 61x22 Rect

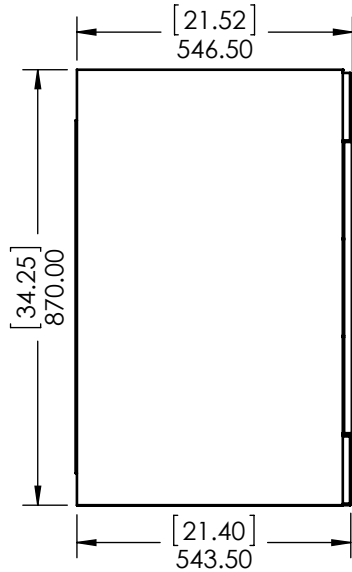
SHEET 1 OF 2 REV: **0**

ID	Description	Technology	Status	Rev #	Approved by	Change
SS6122R-GI	Glacier Bay 61 in. Solid Surface Double Basin Vanity Top in Ginger with White Basins	Solid Surface	Approved for production	0	R. Rubio	Released
CP6122R-MA	Glacier Bay 61 in. Colorpoint Double Basin Vanity Top in Maui with White Basins	Color Point	Approved for production			
SE6122R-MI	Home Decorators 61 in. Stone Effects Double Basin Vanity Top in Mayan Ivory with White Basins	Stone Effect	Approved for production			
SE6122R-RU	Home Decorators 61 in. Stone Effects Double Basin Vanity Top in Rustic Gold with White Basins	Stone Effect	Approved for production			
SE6122R-WM	Home Decorators 61 in. Stone Effects Double Basin Vanity Top in Winter Mist with White Basins	Stone Effect	Approved for production			
SE6122R-DN	Home Decorators 61 in. Stone Effects Double Basin Vanity Top in Dune with White Basins	Stone Effect	Approved for production			
SE6122R-AV	Home Decorators 61 in. Stone Effects Double Basin Vanity Top in Avalon with White Basins	Stone Effect	Approved for production			
SE6122R-CO	Home Decorators 61 in. Stone Effects Double Basin Vanity Top in Cold Fusion with White Basins	Stone Effect	Approved for production			

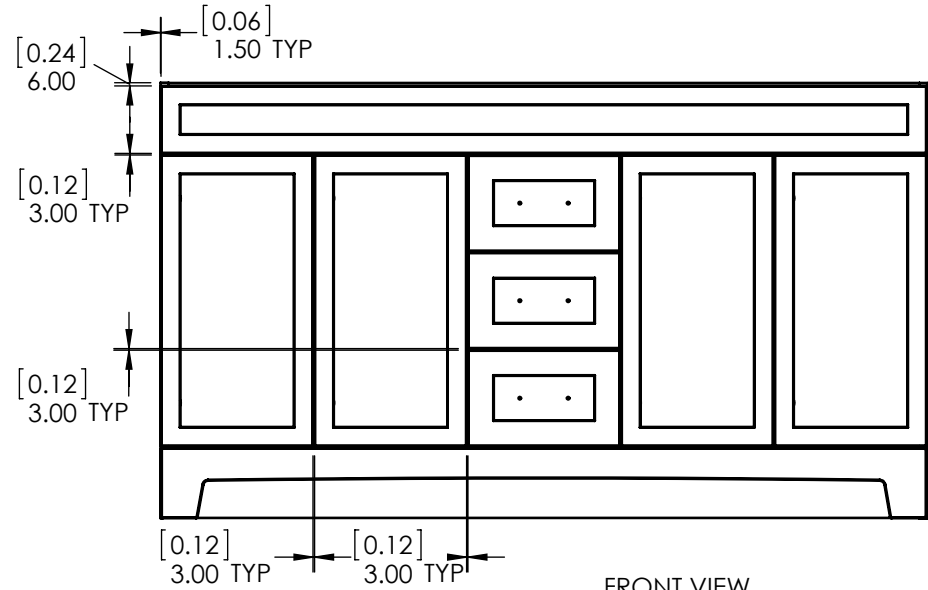
PROPRIETARY AND CONFIDENTIAL THE INFORMATION CONTAINED IN THIS DRAWING IS THE SOLE PROPERTY OF WOODCRAFTERS. ANY REPRODUCTION IN PART OR AS A WHOLE WITHOUT THE WRITTEN PERMISSION OF WOODCRAFTERS IS PROHIBITED.	UNLESS OTHERWISE SPECIFIED						
	DIMENSIONS ARE IN MM. AND (INCHES)			DRAWN	J.Martinez		08/12/16
	TOLERANCES ARE + 0.125 [3.175] - 0.125 [-3.175]			CHECKED	E. Sandoval		08/12/16
	SCALE:1:16			ENG APPR.	R. Rubio		08/12/16
			MFG APPR.	C. Leal	08/12/16	SIZE DWG. NO. A Shark Tank 61x22 Rect SHEET 2 OF 2 REV: 0	

ITEM ID	DESCRIPTION
TB6021-CT	Vanity Thornbriar 60in Cement

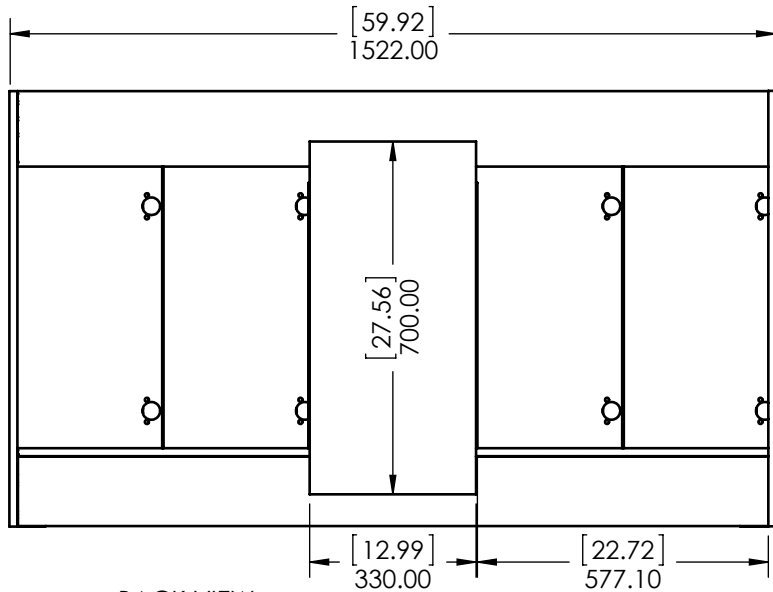
REV	ECO#	DESCRIPTION	REV'D BY DATE	CHK'D BY DATE	APR'D BY DATE
0		New Release	JERU 04/17/19	JERU 04/17/19	JERU 04/17/19



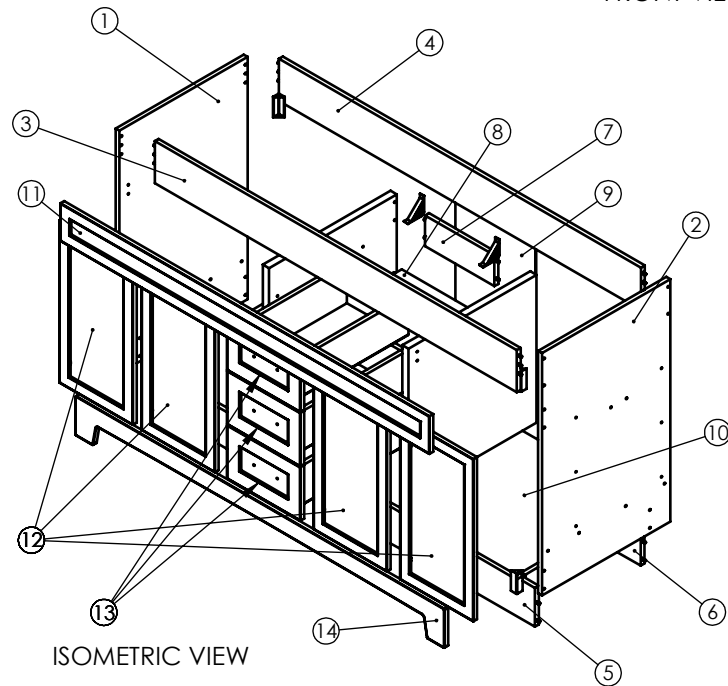
SIDE VIEW



FRONT VIEW



BACK VIEW



ISOMETRIC VIEW

#	Numero de parte
1	
2	
3	
4	
5	
6	
7	
8	
9	
10	
11	
12	
13	
14	

<p>PROPRIETARY AND CONFIDENTIAL THE INFORMATION CONTAINED IN THIS DRAWING IS THE SOLE PROPERTY OF WOODCRAFTERS HOME PRODUCTS L.L.C. ANY REPRODUCTION IN PART OR AS A WHOLE WITHOUT THE WRITTEN PERMISSION OF WOODCRAFTERS HOME PRODUCTS L.L.C. IS PROHIBITED.</p>	<p>UNLESS OTHERWISE SPECIFIED DIMENSIONS ARE IN mm and [inches] AND TOLERANCES ARE +/- 1.0 [0.04]</p>	<p>DRAWN BY: JERU 04/17/19</p>	<p>TITLE: THORNBRIAR CEMENT 60in ASSEMBLY</p>
		<p>CHECKED BY: JERU 04/17/19</p>	
		<p>APPROVED BY: JERU 04/17/19</p>	
		<p>DO NOT SCALE DRAWING SCALE: 1:10 SIZE: A</p>	
		<p>PART NO: PAGE 1 OF 1 REV: 0</p>	

