

Warranty

This KOOLATRON product is warranted to the retail consumer for 90 days from date of retail purchase, against defects in material and workmanship.

WHAT IS COVERED

- Replacement parts and labor.
- Transportation charges to customer for the repaired product.

WHAT IS NOT COVERED

- Commercial or industrial use of this product.
- Damage caused by abuse, accident, misuse, or neglect.
- Transportation of the unit or component from the customer to Koolatron.

IMPLIED WARRANTIES

Any implied warranties, including the implied warranty of merchantability are also limited to duration of 90 days from the date of retail purchase.

WARRANTY REGISTRATION

Register on-line at www.koolatron.com AND keep the original, dated, sales receipt with this manual.

WARRANTY AND SERVICE PROCEDURE

If you have a problem with your unit, or you require replacement parts, please telephone the following number for assistance: **1-800-265-8456**

A Koolatron Master Service Centre must perform all warranty work. Service after warranty may be obtained at a Master Service Centre or at an authorized service dealer. Purchase Receipt is required to establish warranty eligibility.

Koolatron has Master Service Centres at these locations:

U.S.A.

4330 Commerce Dr.
Batavia, NY 14020-4102 U.S.A.

Canada

139 Copernicus Blvd.
Brantford, ON N3P 1N4 Canada



Beverage Centre

Dual Zone Beverage & Wine Fridge



www.koolatron.com

©2016 Koolatron, Inc. All rights reserved.

All specifications are subject to change without notice.

H1S239

09/2016-v1

KBBC22DZ

User Manual

SAFETY

- Household Use Only.
- This unit is an indoor appliance. DO NOT use OUTDOORS.
- Place unit on a flat surface, away from heat sources.
- Do not use the appliance if the plug or cable is damaged. If the power cord is damaged and/or is malfunctioning, please contact the manufacturer.
- Pull the plug out of the outlet to disconnect. DO NOT pull the cord.
- Do not touch the plug with wet hands.
- Never clean appliance parts with flammable fluids. Do not store or use gasoline or any other flammable vapors and liquids in the vicinity of this or any other appliance. The fumes can create a fire hazard or explosion.
- Unplug the appliance when not in use.
- Risk of child entrapment.
- Child entrapment and suffocation are not problems of the past. Junked or abandoned appliances are still dangerous.
 - Before you throw away your old wine chiller, take off the door but leave the shelves in place so that children may not easily climb inside.
 - Never allow children to operate, play with, or crawl inside the appliance.

Use of extension cords

Because of potential safety hazards under certain conditions, we strongly recommend against the use of an extension cord. However, if you must use an extension cord, it is absolutely necessary that it is a UL-listed (in the United States) or a CSA-listed (in Canada), 3-wire grounding type appliance extension cord having a grounding type plug and outlet and that the electrical rating of the cord is 15 amperes (minimum) and 120 volts.

WARNING! FLAMMABLE REFRIGERANT GAS

DANGER - Risk of fire or explosion. Flammable refrigerant used.

- DO NOT use mechanical devices to defrost refrigerator.
- DO NOT puncture refrigerant tubing.
- To be repaired only by trained service personnel.
- Consult user manual before attempting to service this product. All safety precautions must be followed.
- Dispose of property in accordance with federal or local regulations.
- Follow handling instructions carefully.

SPECIFICATIONS

Power Requirements:	AC 115V 60Hz 120W
Max. Temp.:	22°C +/- 3°C (72°F +/- 5°F) at 22°C (72°F) ambient air temp.
Min. Temp.:	2°C +/- 3°C (36°F +/- 5°F) at 22°C (72°F) ambient air temp.

FEATURES

- free-standing or built-in installation
- capacity 18 bottles x 750 mL (25 fl. oz.) + 56 x 355ml (12 fl. oz.) cans
- compressor based cooling
- adjustable temperature; temperature range: beverage 2°C to 10°C (36°F to 50°F), wine 5°C to 22°C (41°F to 72°F)
- double-paned glass doors
- removable shelves
- dark interior / soft interior light
- adjustable legs
- vibration free

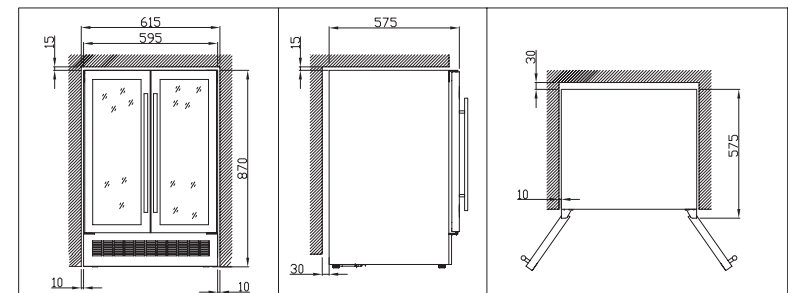
INSTALLATION

BEFORE USING YOUR BEVERAGE CENTRE

- Remove the exterior and interior packing.
- Clean the interior surface with lukewarm water using a soft cloth.

INSTALLATION

- This appliance is designed for free standing or built-in installation.
- The Beverage Centre should be placed where the ambient temperature is between 41°F to 90°F (5°C to 32°C). If the ambient temperature is above or below this range, the performance of the unit may be affected. For example, placing your unit in extreme cold or hot conditions may cause interior temperatures to fluctuate.
- Place the unit on a floor that is strong enough to support it when it is fully loaded. To level the unit, adjust the front leveling leg at the bottom.
- Locate the Beverage Centre away from direct sunlight and sources of heat (stove, heater, radiator, etc.). Direct sunlight may affect the acrylic coating and heat sources may increase electrical consumption. Extreme cold ambient temperatures may also cause the unit not to perform properly.
- Avoid locating the unit in moist areas.
- Plug the Beverage Centre into an exclusive, properly installed-grounded wall outlet. Do not under any circumstances cut or remove the third (ground) prong from the power cord. Any questions concerning about power and/or grounding should be directed toward a certified electrician or an authorized products service center.



DOOR HANDLE INSTALLATION

'1' door gasket, '2' screws, '3' Phillips screwdriver, '4' Handle

- 1) Pull away the door gasket in the area where the handle is to be installed on the left side as shown below in Fig1. The gasket is easily displaced by hand, no tools are necessary.
- 2) Align the handle with the screws installed. Tighten the screws using a Phillips head screwdriver until the handle sets both flush and secured tightly against the door frame. (DO NOT over tighten as this will cause damage to the handle assembly).
- 3) Replace the door gasket to its original position.

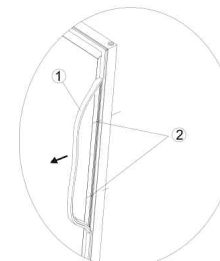


Fig 1

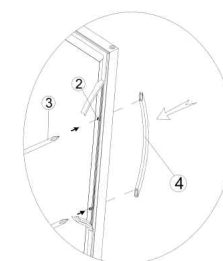


Fig 2

INSTALLATION (cont.)

DOOR REVERSAL

'A' Glass door, 'B' Hexagonal wrench

1. Fig:1 - Remove the screws on lower hinge with the hexagonal wrench. Please hold the door to avoid the door drop down after loosening the screws.
2. Fig:2 - Remove the door in position '1', then take out the door in position '2'. Fig:3 shows the door is taken out.
3. Fig:4 - Tilt the door and insert to the top like '1' shows, then move the door levelly to make it in the same level with the cabinet '3'. Fig:5 before tighten the bottom screws, make sure the door is in the same level with the cabinet.
4. Fig 6: Door reverse is finished.

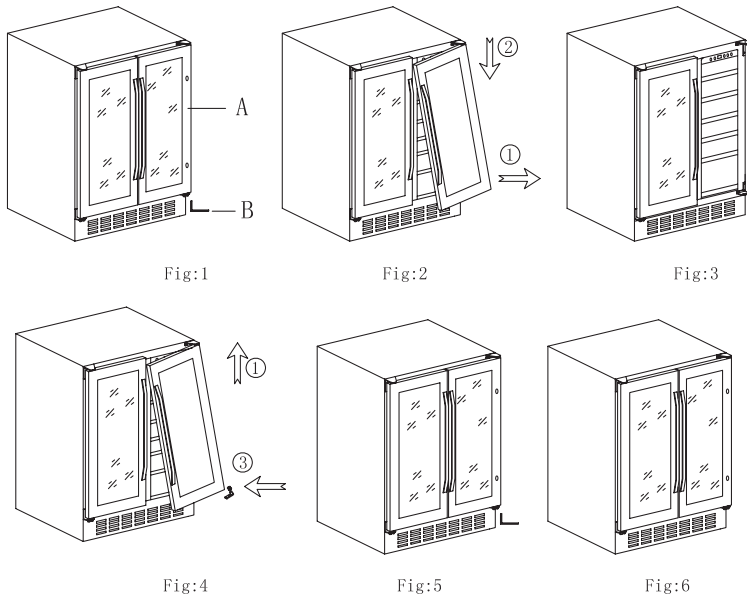


Fig:1

Fig:2

Fig:3

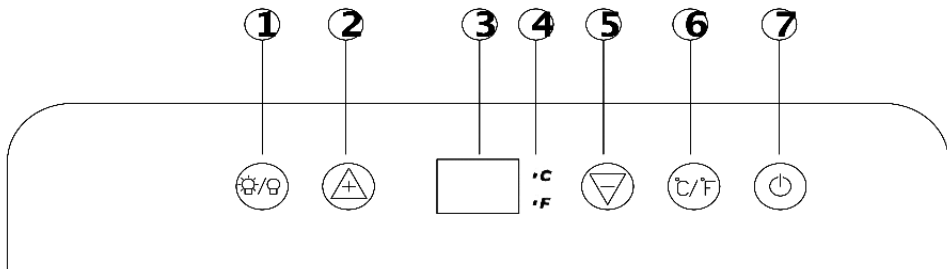
Fig:4

Fig:5

Fig:6

OPERATING INSTRUCTIONS

You can adjust the temperature by using the digital display for each zone.



4

OPERATING INSTRUCTIONS (cont.)

1. Interior Light
2. "+" - Temperature Up - temperature will increase 1 degree
3. Temperature Display Window
4. Fahrenheit and Celsius indicator LEDs
5. "-" - Temperature Down - temperature will decrease 1 degree
6. Fahrenheit & Celsius Selector: select your choice of temperature scale
7. Power ON/OFF: once to turn on the appliance, press for 3 seconds to turn it off.

- It is normal that the preset temperature and display temperatures are different when using for the first time. It will take approximately 1 hour for the unit to stabilize the temperature. Fill the Beverage Centre with your choice of wine bottles and beverages. Allow 2-3 hours of operation before they reach the desired temperature.
- The temperatures may fluctuate depending on whether the interior light is ON or OFF or the bottles are located on the upper/middle/lower section.
- If the appliance is powered off suddenly, wait for 5 minutes before turning the unit on. It will return to the settings applied, the temperature setting is with automatic memory function.

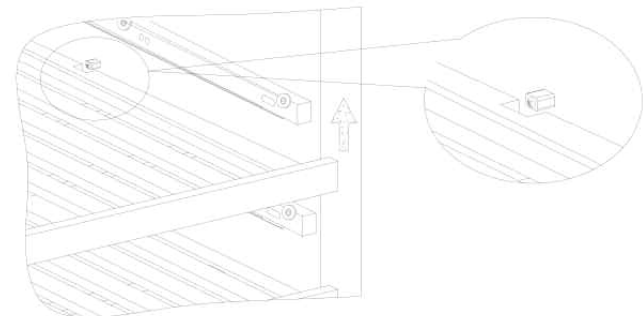
RECOMMENDED TEMPERATURES FOR CHILLING WINE

Red Wines: 59-66°F (15-18°C)

White Wines 46-59°F (8-15°C)

SHELF

- To avoid the damage of door sealing, please open the door fully when you slide out the shelves.
- When taking wine bottles out, you can pull out the shelf by 1/3. Our product is designed with shelf holder to prevent the shelf pull out fully and fall out of the cabinet by accident.
- If need to take off the shelf from cabinet, you can pull out the shelf to the shelf holder position, then lift up the shelf to remove the shelf. (See figure below)



5

MAINTENANCE

CLEANING YOUR BEVERAGE CENTRE

- Turn off the power, unplug the appliance, and remove all items including shelves and rack.
- Wash the inside surfaces with warm water and baking soda solution. The solution should be about 30 ml (2 tbsp) baking soda to 1L (1 quart) of water.
- Wash the shelves with a mild detergent solution.
- Wring excess water out of the sponge or cloth when cleaning area of the controls, or any electrical parts.
- Wash the outside cabinet with warm water and mild liquid detergent.
- Rinse well and wipe dry with a clean soft cloth.

POWER FAILURE

Most power failures are corrected within a few hours and should not affect the temperature of your appliance if you minimize the number of times the door is opened. If the power is going to be off for a longer period of time, you need to take the proper steps to protect your contents.

VACATION TIME

- Short vacations: Leave the Beverage Centre operating during vacations of less than three weeks.
- Long vacations: If the appliance will not be used for several months, remove all items and turn off the appliance. Clean and dry the interior thoroughly. To prevent door and mold growth, leave the door open slightly, blocking it open if necessary.

MOVING YOUR BEVERAGE CENTRE

- Remove all items.
- Securely tape down all loose items (shelves) inside your appliance.
- Turn the adjustable leg up to the base to avoid damage.
- Tape the door shut.
- Be sure the appliance stays secure in the upright position during transportation. Also protect the outside of the appliance with a blanket, or similar item.

ENERGY SAVING TIPS

The Beverage Centre should be located in the coolest area of the room, away from heat producing appliances, and out of the direct sunlight.

TROUBLESHOOTING GUIDE

You can solve many common appliance problems easily, saving you the cost of a possible service call. Try the suggestions below to see if you can solve the problem before calling the servicer.

PROBLEM	POSSIBLE CAUSE
Appliance does not operate.	Not plugged in. The circuit breaker tripped or a blown fuse.
Appliance is not cold enough.	Check the temperature control setting. External environment may require a higher setting. The door is opened too often. The door is not closed completely. The door gasket does not seal properly.
Turns on and off frequently.	The room temperature is hotter than normal. The door is opened too often. The door is not closed completely. The temperature control is not set correctly. The door gasket does not seal properly.
The light does not work.	Not plugged in. The circuit breaker tripped or a blown fuse. The bulb has burned out.
Vibrations.	Check to assure that the appliance is level.
The appliance seems to make too much noise.	Contraction and expansion of the inside walls may cause popping and crackling noises. The appliance is not level.
The door will not close properly.	The appliance is not level. The door was reversed and not properly installed. The gasket is dirty. The shelves are out of position.