

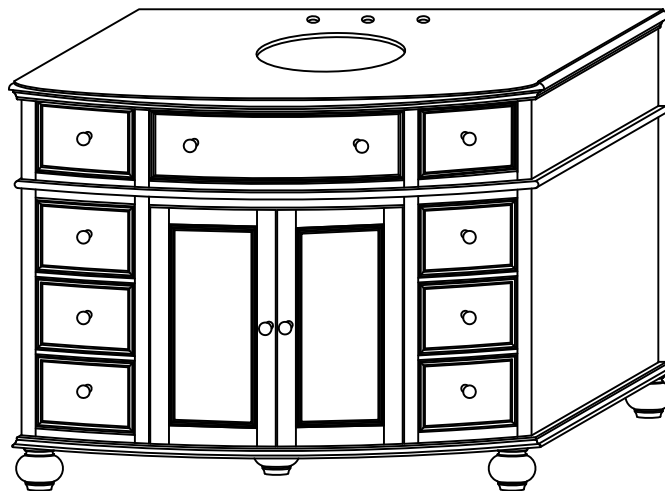
HOME DECORATORS *collection*

BF-23148 HAMPTON BAY COLLECTION 1/2 MOON SINK CABINET

INV#54592

ASSEMBLY INSTRUCTIONS

Made In China



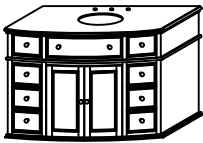
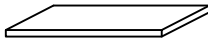


PRODUCT SPECIFICATION:

- SOLID HARD WOOD FRAME
- NATURAL GRANITE TOP PRE-ASSEMBLED
- (45W x 22D x 35H) INCH
- N.W.: 200.6LBS G.W.:220.5LBS

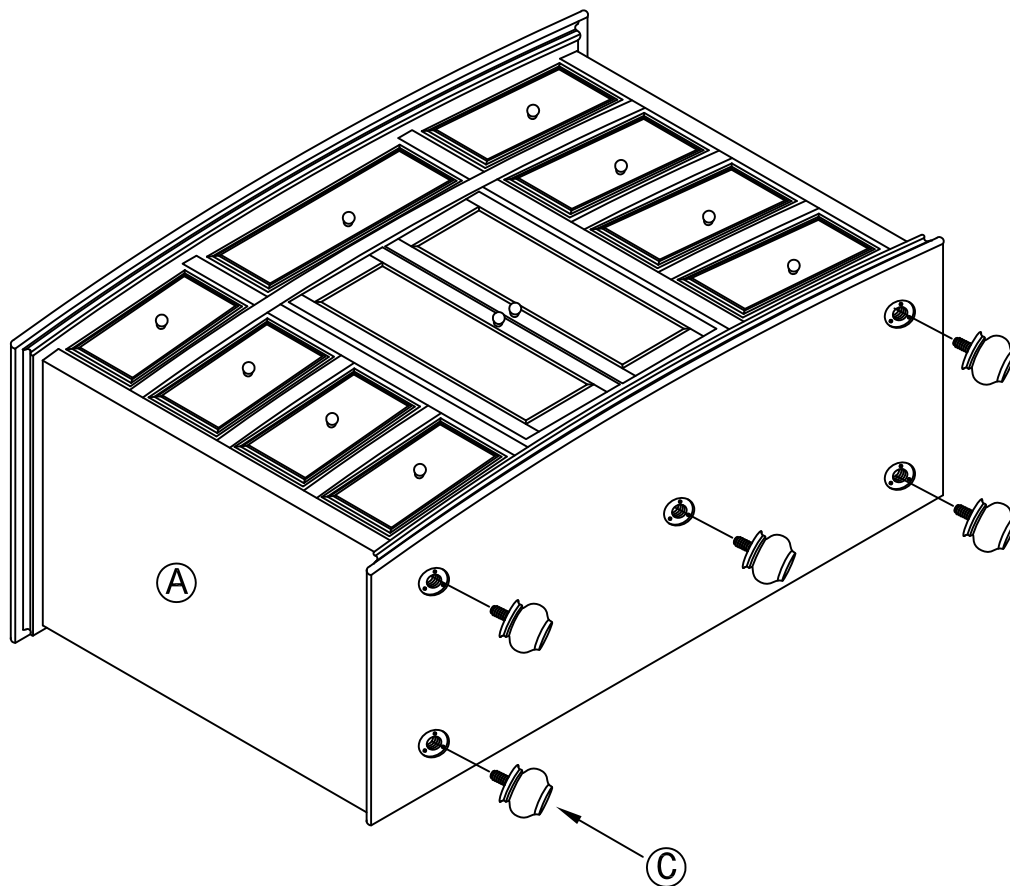
Thank you for purchasing this quality product. Be sure to check all packing material carefully for small parts, which may have come loose inside the carton during shipment. Count all parts and material hardware, then compare with parts list to be sure all parts are present. If any parts are missing or damaged, phone, fax, or mail to our Customer Service Department for efficient and speedy service. Please indicate the model number and code letter of part(s) needed.

NOTE: Upon opening thoroughly clean all woods surfaces to remove dust and dirt that may have settled onto finish during shipment. In order to prevent damage during assembly, please assemble this item with at least four people.

IMPORTANT NOTE: Follow instructions listed below in proper sequence as numbered to assure fast, easy and correct assembly.

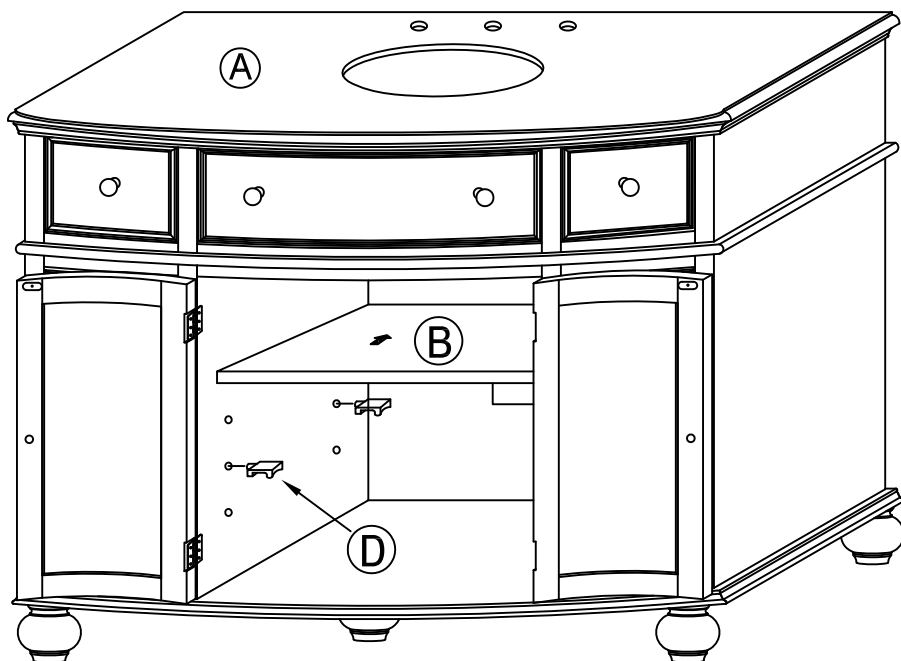
PARTS LIST		
A  MAIN PART-1PC	B  SHELF-1PC	C  FEET-5PCS
D  SHELF SUPPORTS-4PCS		

NOTE: THE SURFACE WITH THE STICKER IS THE BACK SIDE.



1) ASSEMBLE THE FEET (C) .

- FIRSTLY, PLACE MAIN PART (A) UPSIDE DOWN ON A CLEAN SMOOTH SURFACE.
- ROTATE THE 5 FEET (C) INTO THE HOLES IN THE BOTTOM PANEL.



2) .ASSEMBLE THE SHELF (B) .

- INSERT THE 4 SHELF SUPPORTS(D) INTO THE HOLES IN THE MAIN PART(A) .
- FINALLY, PUT THE SHELF (B) ONTO THE SHELF SUPPORTS(D) .