



Distributed in North America by LIFT BRIDGE KITCHEN & BATH
(Strategic Retail Solutions)
(888) 930-8528

support@strategicretailsolutions.com

Distributed in other countries by FIRPLAK S.A
(+57 4) 444-1771

servicioalcliente@firplak.com

Manufactured and distributed by MILESTONE MUEBLES S.A.S
(+57 1) 796-5340

info@milestone.com.co

PRODUCT ATTRIBUTES

MATERIAL

- Benefits of particle board vs plywood.
 - Different finishes and textures.
 - Better finish quality.
 - The decorative paper does not take off.
- Melamine **ecofort**[®] material gives greater resistance to:



- Resistant to moisture and extreme temperatures.
- Multiple melamine color options available.
- Edge band on every exposed edge.

DRAWERS

- Easy to assemble metal sided drawers.
- Metal sided drawers can support a maximum load of 55 lbs.
- Up to 100,000 openings guaranteed by each drawer.
- Soft-closing mechanism allows drawers to always close soft and silent.

HARDWARE

- Up to 40,000 openings guaranteed by each soft-closing hinge.
- Steel hangers support a maximum load of 440 lbs. per cabinet.
- Double-wall mounting plate allows for easy installation.

WARNING

If you are concerned about the weight of the cabinet on the wall, we recommend using the optional support legs (sold separately).

Questions, problems, missing parts?

If purchased in North America, please contact the Lift Bridge Kitchen & Bath customer service

at (888) 930-8528 or
support@strategicretailsolutions.com

If purchased in other countries, please contact the Firplak S.A customer service

at (+57 4) 444-1771 or
servicioalcliente@firplak.com

This furniture is manufactured with wood from cultivated forests and is covered with:

Melamine **ecofort**[®] material which gives a greater resistance to:



SCRATCHES



TEMPERATURE



STAINS



SUPERFICIAL HUMIDITY








SPRAINS - CRACKS



CERTIFICATE OF GUARANTEE



READ BEFORE ASSEMBLY

-  Please read all instructions carefully.
-  Handle with care. Do not drop, handle roughly, or overtighten screws as this will cause damage to the wood.
-  We recommend using two people to assemble, move or lift the cabinet.
-  The production lot number on the last page of the installation manual will be needed for warranty issues.
-  Please contact the appropriate customer service team if you have any questions.

RECOMMENDATIONS AND WARNINGS

-  Use a dry cloth to clean.
-  Fill the lower drawers first. Avoid opening more than one drawer at a time.
-  Avoid getting the cabinet wet.
-  Do not allow children to climb on the cabinet.
-  Do not paint the cabinet.
-  Do not drag the cabinet, empty the cabinet and then lift and move.

For us it is essential to work with high quality materials and under certified processes ISO 9001.

Our furniture has a 10-year Limited Warranty from the date of purchase. It covers defects or parts that prevent the correct assembly or usage.

This warranty includes the replacement of defective parts and is valid as long as the assembly instructions have been followed.

This warranty excludes furniture that has been assembled incorrectly and modified or repaired.

This warranty excludes damage caused by external factors, deterioration due to being installed on wet walls or damage from being exposed directly to water.

Proof of purchase (original sales receipt) must be made available for all warranty claims.

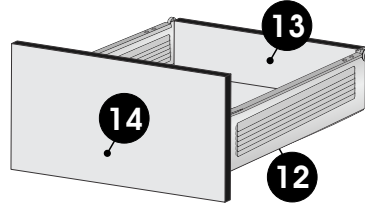
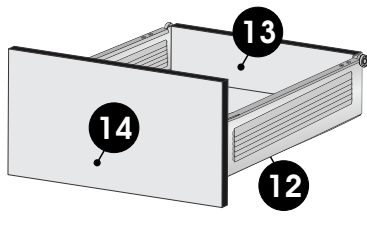
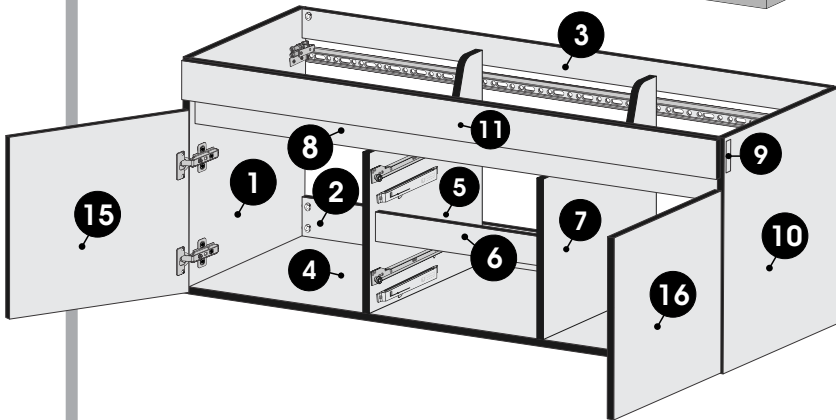
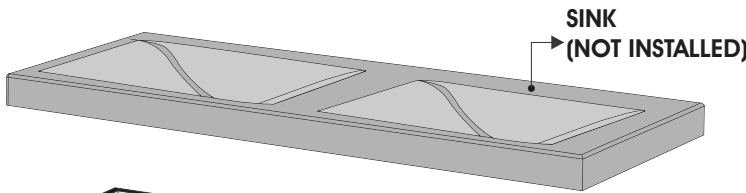
PLEASE READ THE INSTRUCTIONS CAREFULLY BEFORE BEGINNING THE ASSEMBLY

50202

49" VITELI VANITY CABINET

CAUTION:

ASSEMBLE THE UNIT IN A FLAT AREA.



TOOLS INCLUDED QTY.

	ALLEN WRENCH	1
--	--------------	---

HARDWARE INCLUDED QTY.

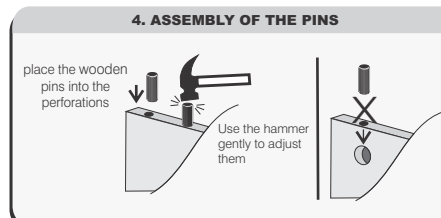
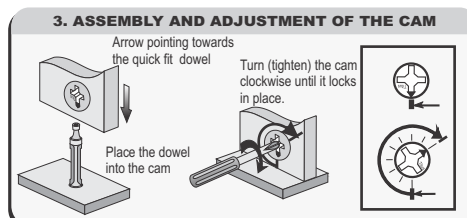
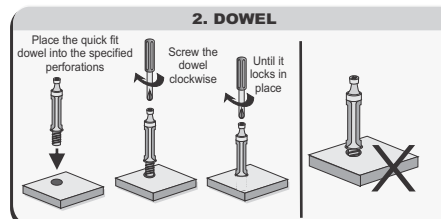
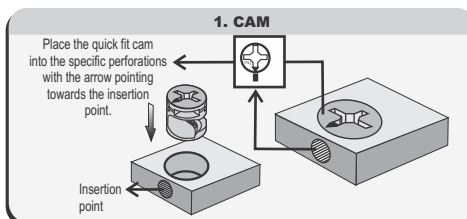
	QUICK FIT CAM	18		QUICK FIT DOWEL	18
	SOFT-CLOSING MECHANISM	2		WOODEN PIN	10
	LEFT CLIP FRONT FIXING BRACKET	2		PLASTIC PIN	3
	RIGHT CLIP FRONT FIXING BRACKET	2		PLASTIC CAM TAP	4
	CABINET PROFILES AND METALLIC SIDE DRAWERS LEFT/RIGHT 13 3/4"	2		EURO SCREWS	12
	LEFT CABINET HANGER COVER	1		SCREWS FOR SOFT-CLOSING MECHANISM AND METAL SIDE DRAWERS	22
	RIGHT CABINET HANGER COVER	2		DOUBLE-WALL MOUNTING PLATE	1
	SOFT-CLOSING FULL OVERLAY HINGE	4		LEFT CABINET HANGER	1
	LARGE SELF DRILLING SCREWS	10		RIGHT CABINET HANGER	2
	SMALL SELF DRILLING SCREWS	12		ANCHOR	6
	SCREWS FOR ANCHOR	6		DRYWALL ANCHOR	1
	CONFIRMAT SCREW	6			

NOTE:
IT IS RECOMMENDED TO ASSEMBLE THE CABINET BETWEEN TWO OR MORE PEOPLE.

TOOLS REQUIRED



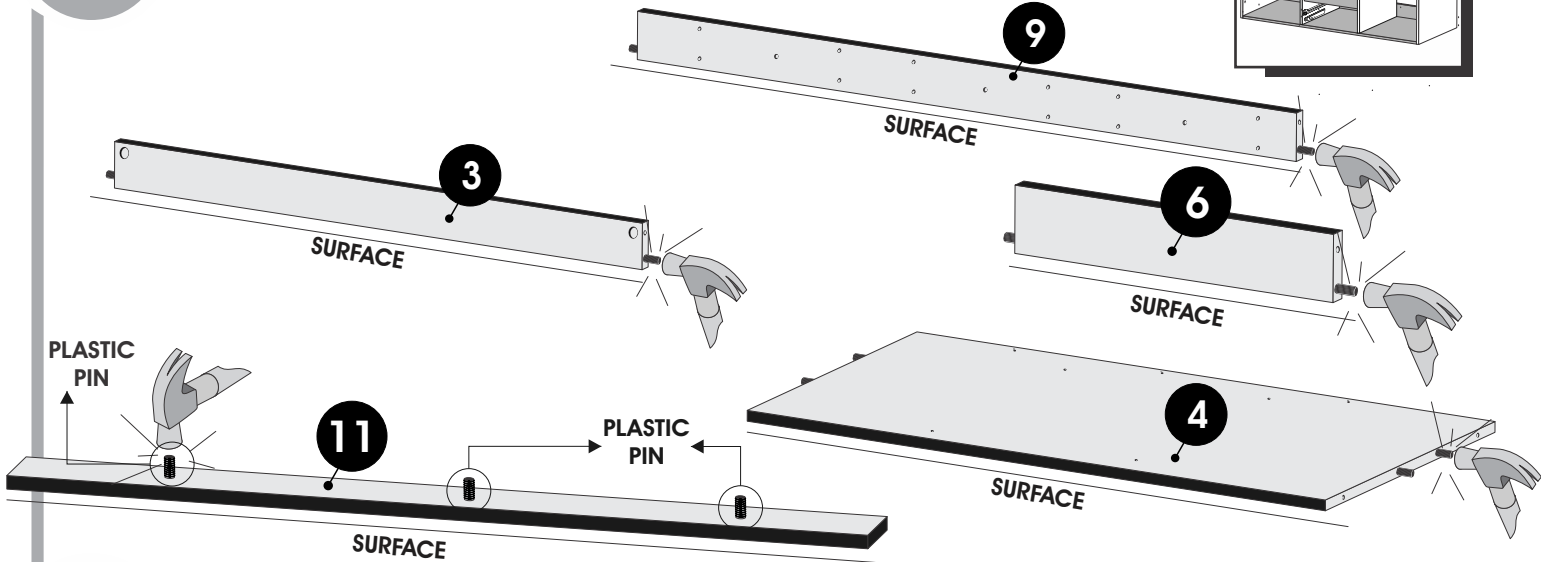
HOW TO ASSEMBLE YOUR HARDWARE



ASSEMBLY INSTRUCTIONS

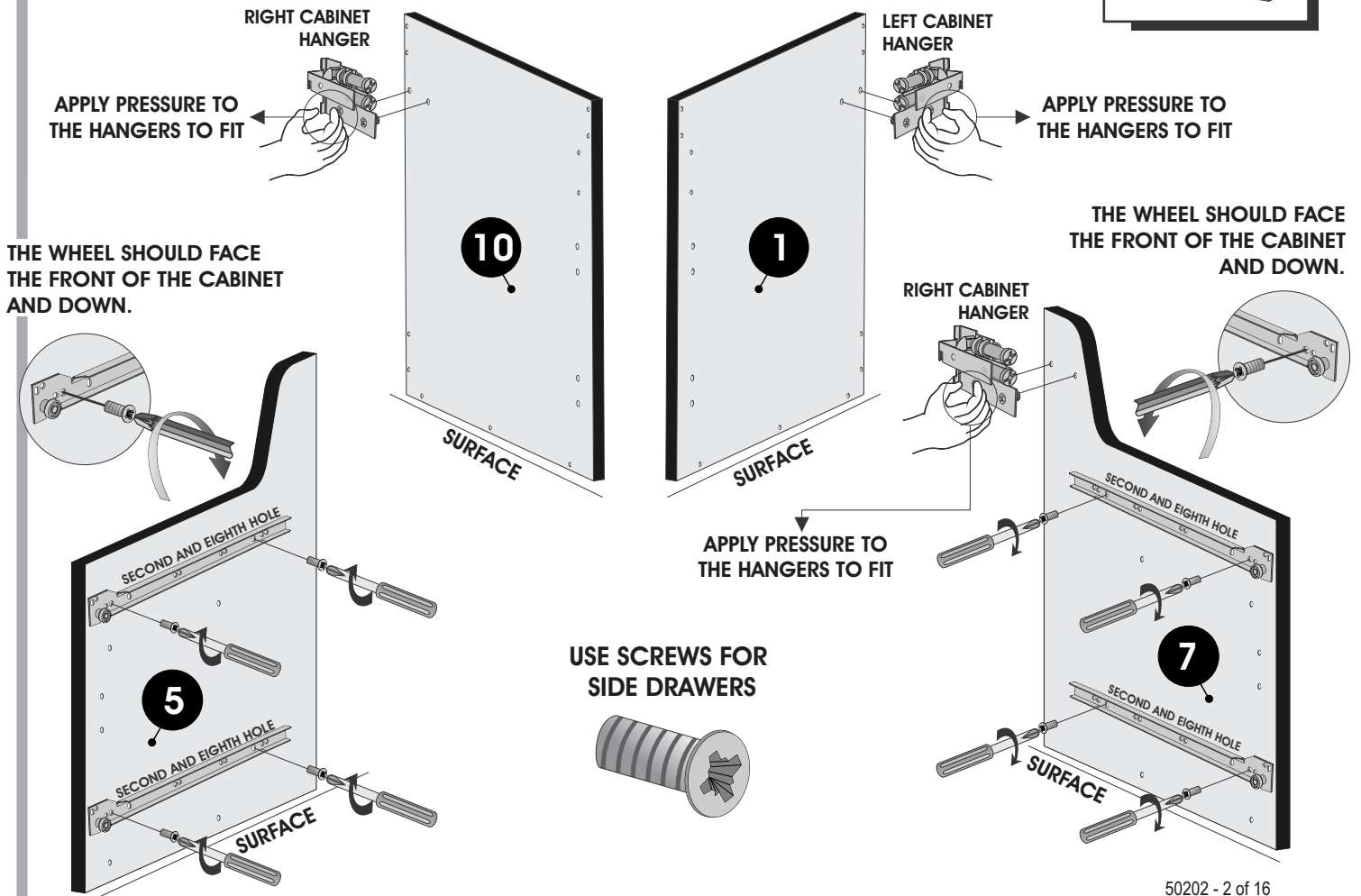
1

INSTALL PINS



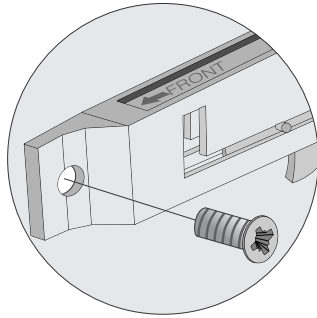
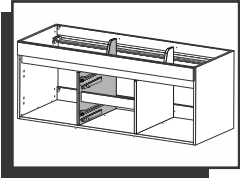
2

INSTALL CABINET PROFILES AND HANGERS

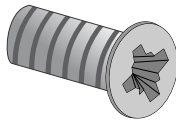


3

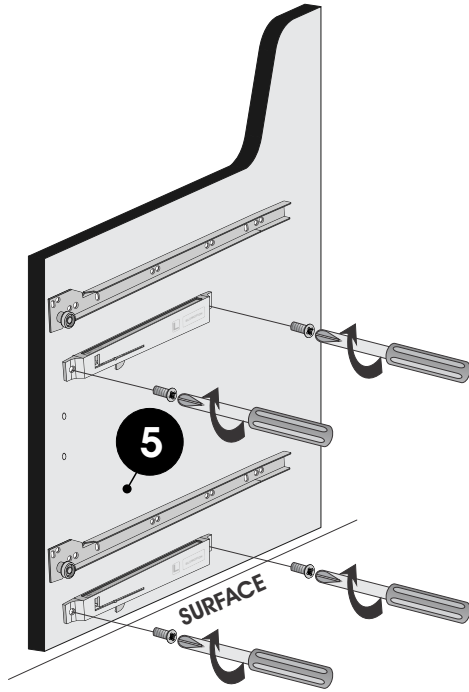
INSTALL SOFT-CLOSING MECHANISM



USE SCREWS FOR SOFT-CLOSING MECHANISM

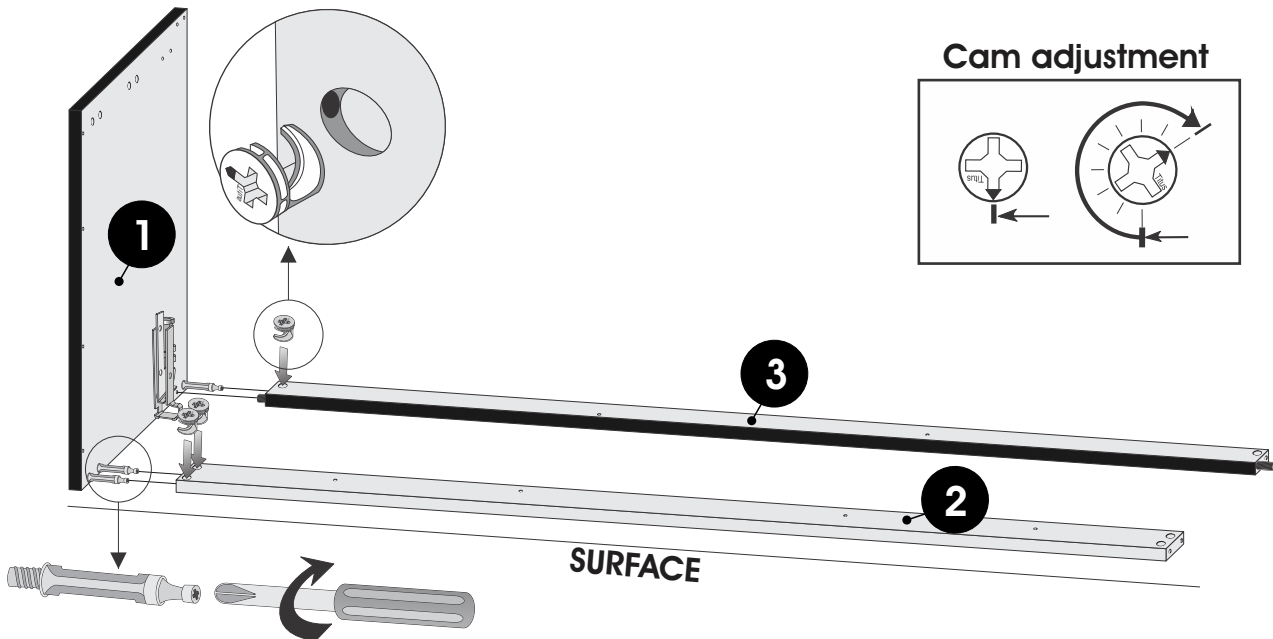
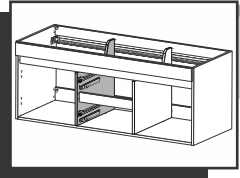


NOTE:
THE SOFT-CLOSING MECHANISMS
ARE INSTALLED IN CABINET PIECE #5.



4

INSTALL PIECE 1-2-3

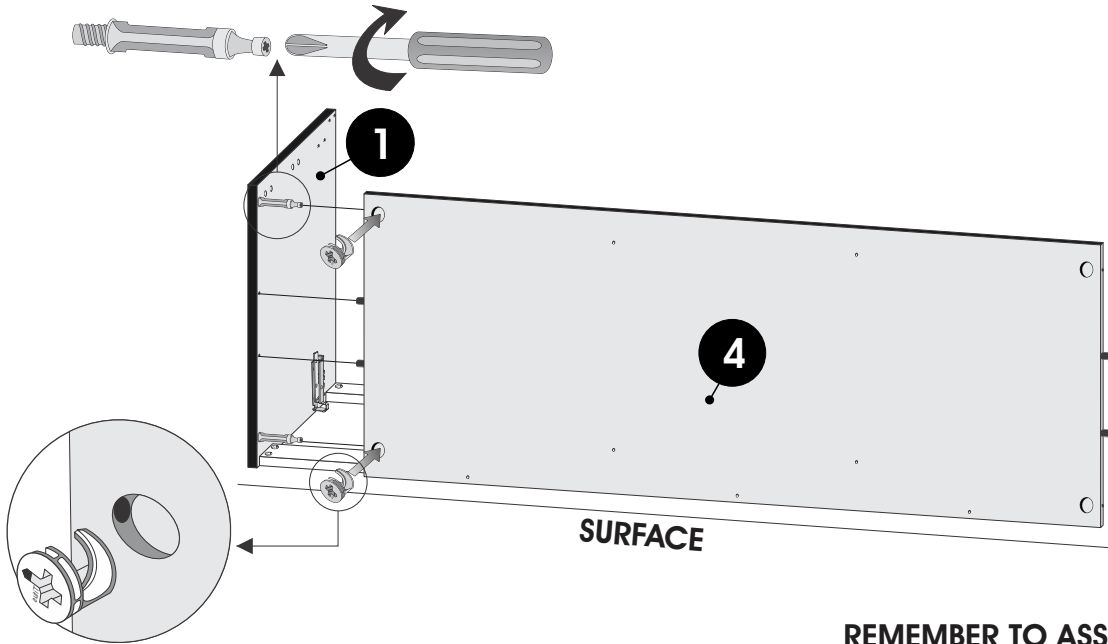
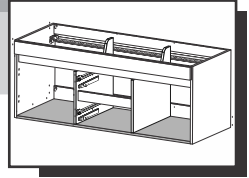


NOTE:
REMEMBER TO ASSEMBLE THE CABINET
BETWEEN TWO OR MORE PEOPLE.

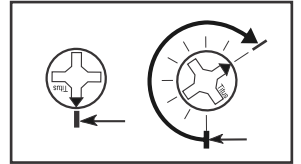
ASSEMBLY INSTRUCTIONS

5

INSTALL PIECE 4



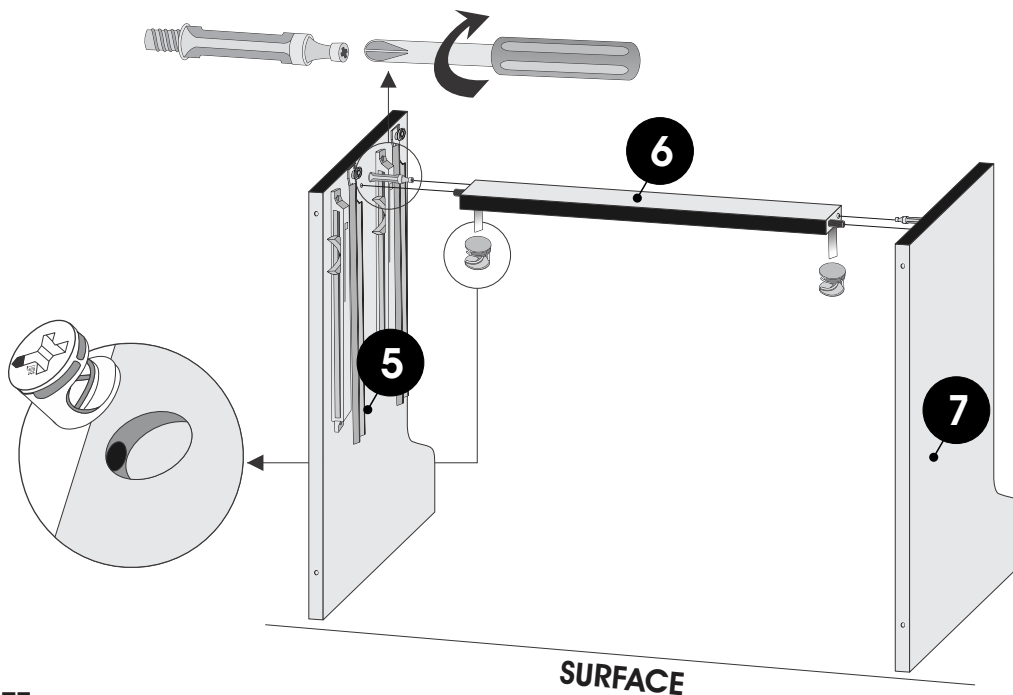
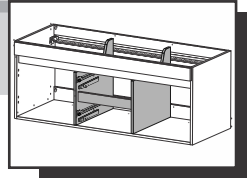
Cam adjustment



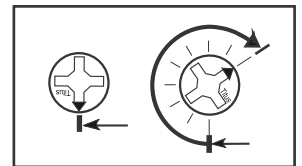
NOTE:
REMEMBER TO ASSEMBLE THE CABINET
BETWEEN TWO OR MORE PEOPLE.

6

INSTALL PIECES 5-6-7



Cam adjustment

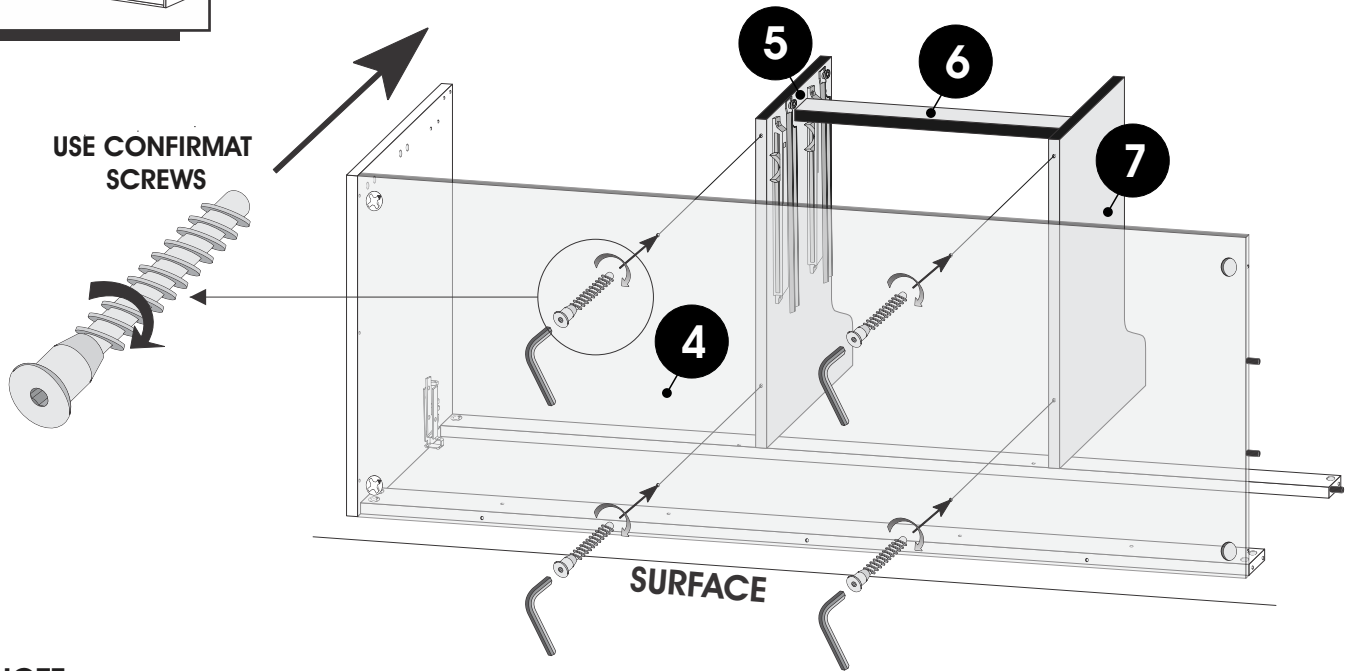
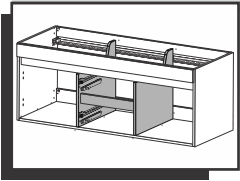


NOTE:
REMEMBER TO ASSEMBLE THE CABINET
BETWEEN TWO OR MORE PEOPLE.

ASSEMBLY INSTRUCTIONS

7

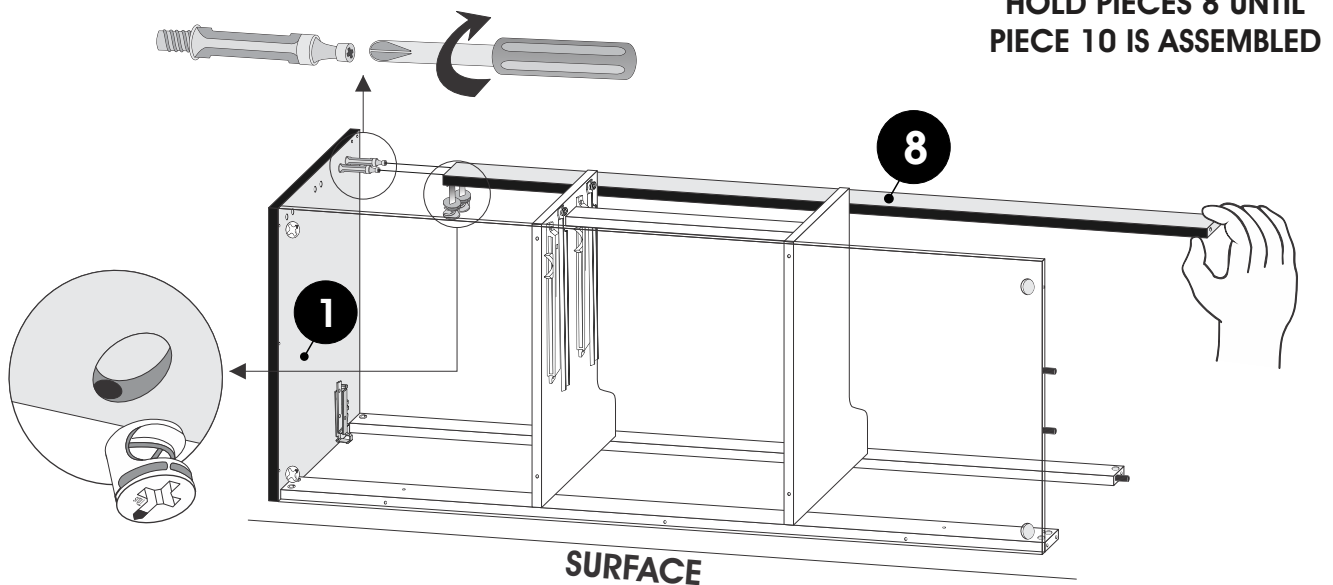
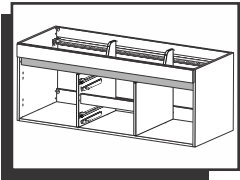
INSTALL PIECES 5-6-7 TO PIECE 4



NOTE:
REMEMBER TO ASSEMBLE THE CABINET BETWEEN TWO OR MORE PEOPLE.

8

INSTALL PIECE 8

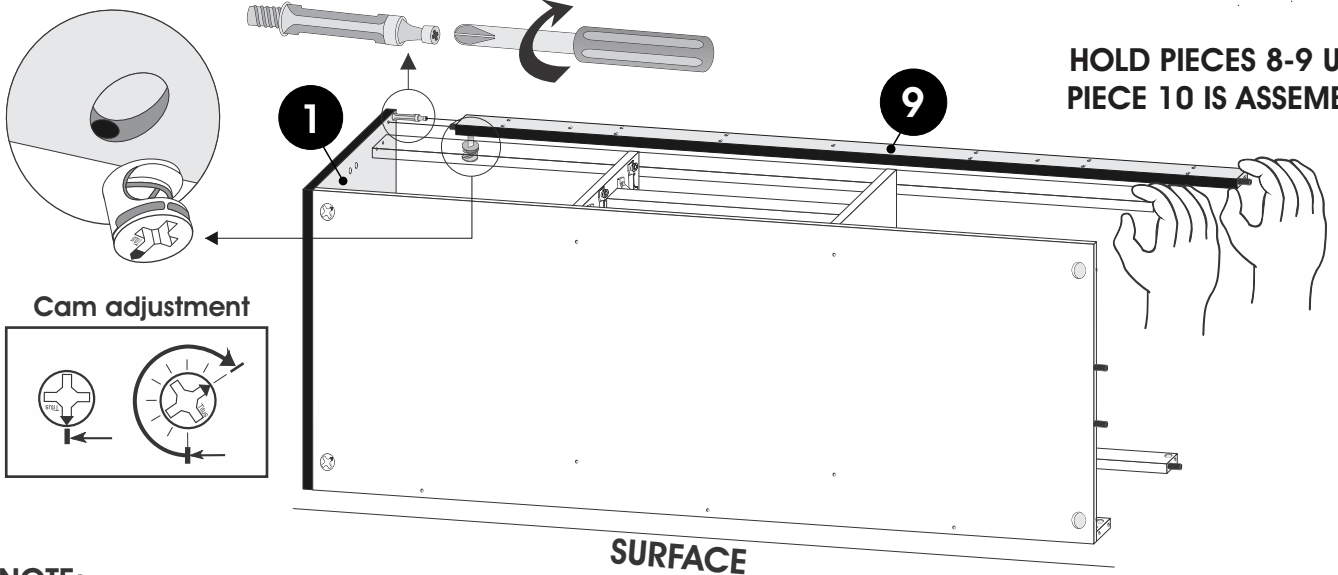
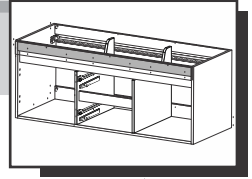


NOTE:
REMEMBER TO ASSEMBLE THE CABINET BETWEEN TWO OR MORE PEOPLE.

ASSEMBLY INSTRUCTIONS

9

INSTALL PIECE 9

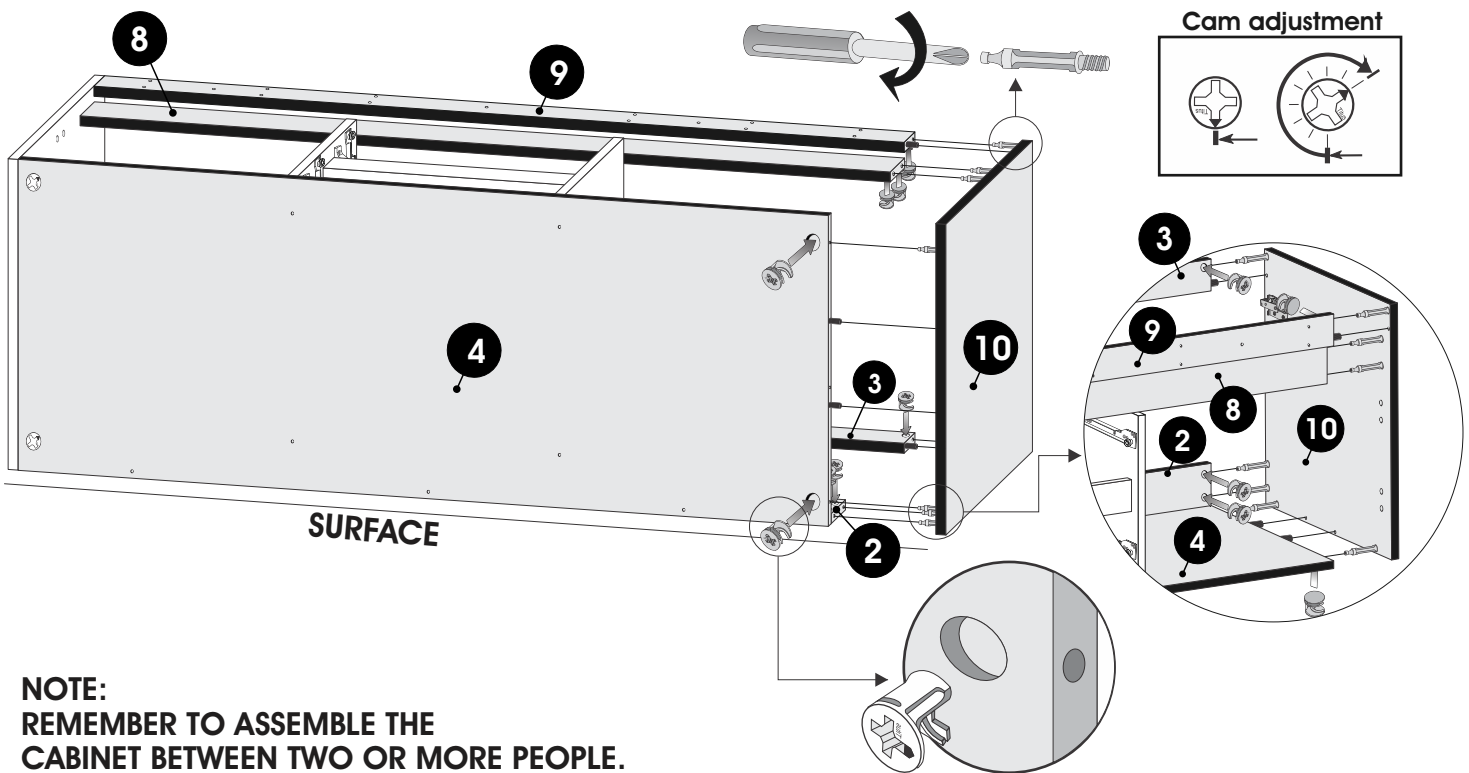
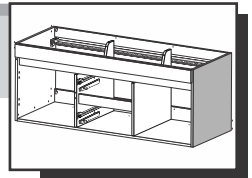


**HOLD PIECES 8-9 UNTIL
PIECE 10 IS ASSEMBLED**

**NOTE:
REMEMBER TO ASSEMBLE THE CABINET BETWEEN TWO OR MORE PEOPLE.**

10

INSTALL PIECE 10 WITH PIECES 2-3-4-8 AND 9

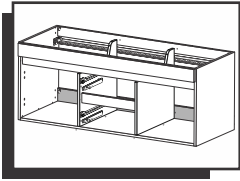


**NOTE:
REMEMBER TO ASSEMBLE THE
CABINET BETWEEN TWO OR MORE PEOPLE.**

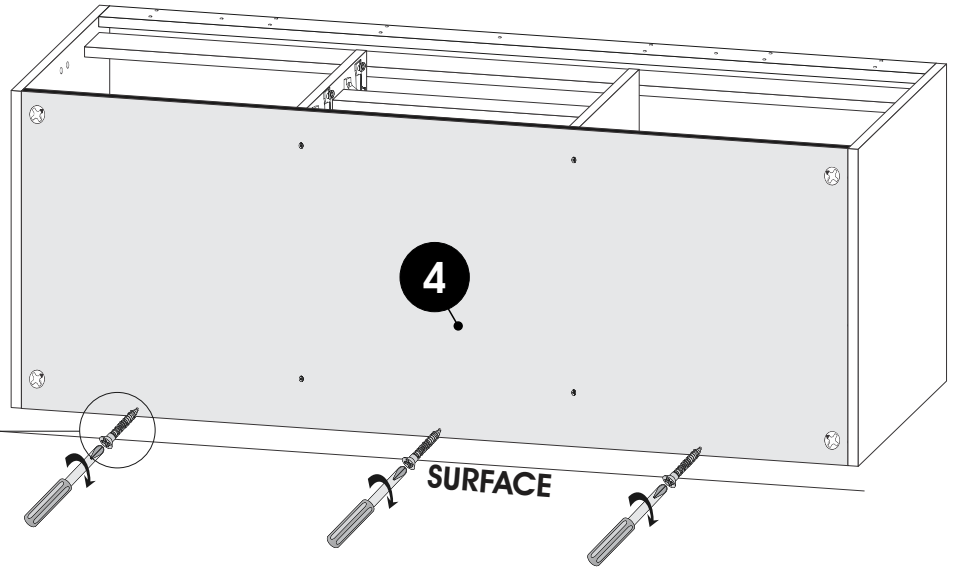
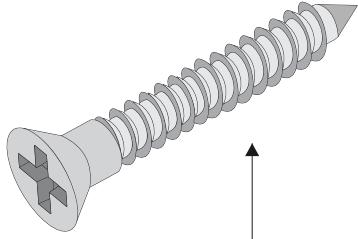
ASSEMBLY INSTRUCTIONS

11

INSTALL SCREWS TO PIECE 2 BELOW PIECE 4

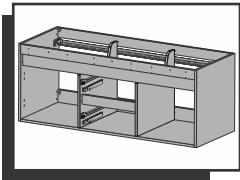


USE LARGE SELF DRILLING SCREWS



12

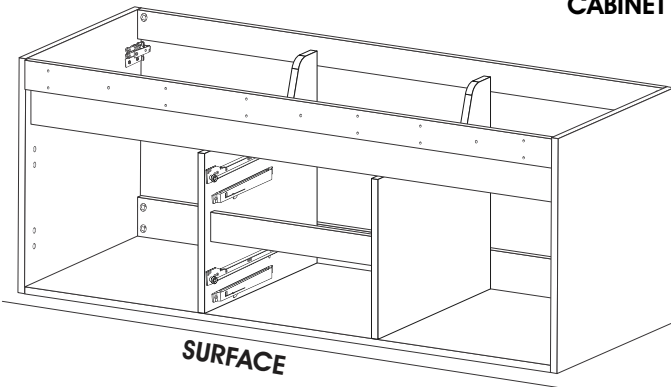
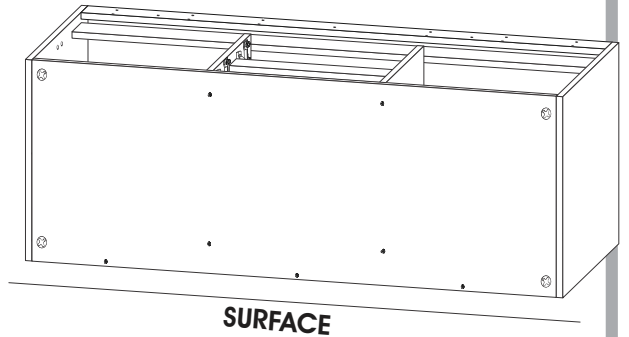
LIFT THE CABINET



**CAUTION:
TWO PEOPLE ARE NEEDED TO SAFELY LIFT THE CABINET.**



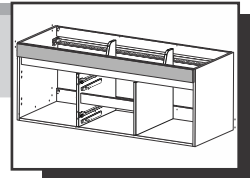
**LIFT THE
CABINET**



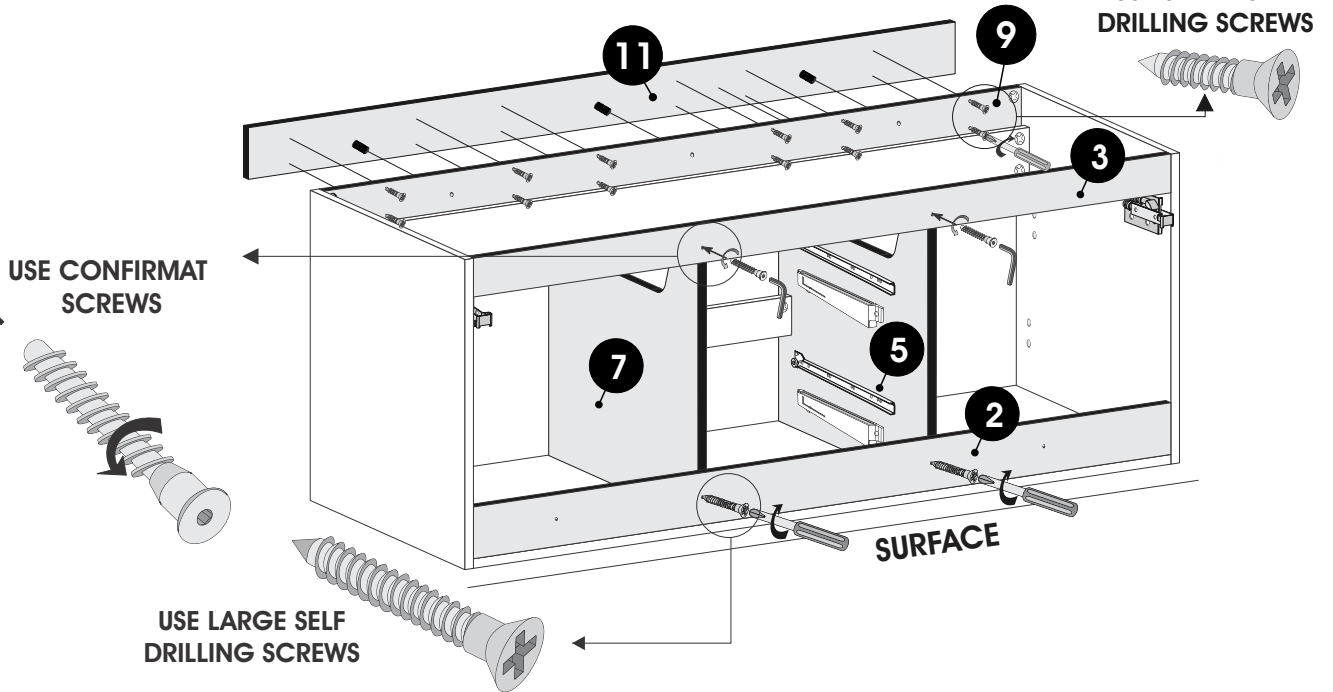
ASSEMBLY INSTRUCTIONS

13

INSTALL PIECE 11 AND ADJUST PIECES 2-3

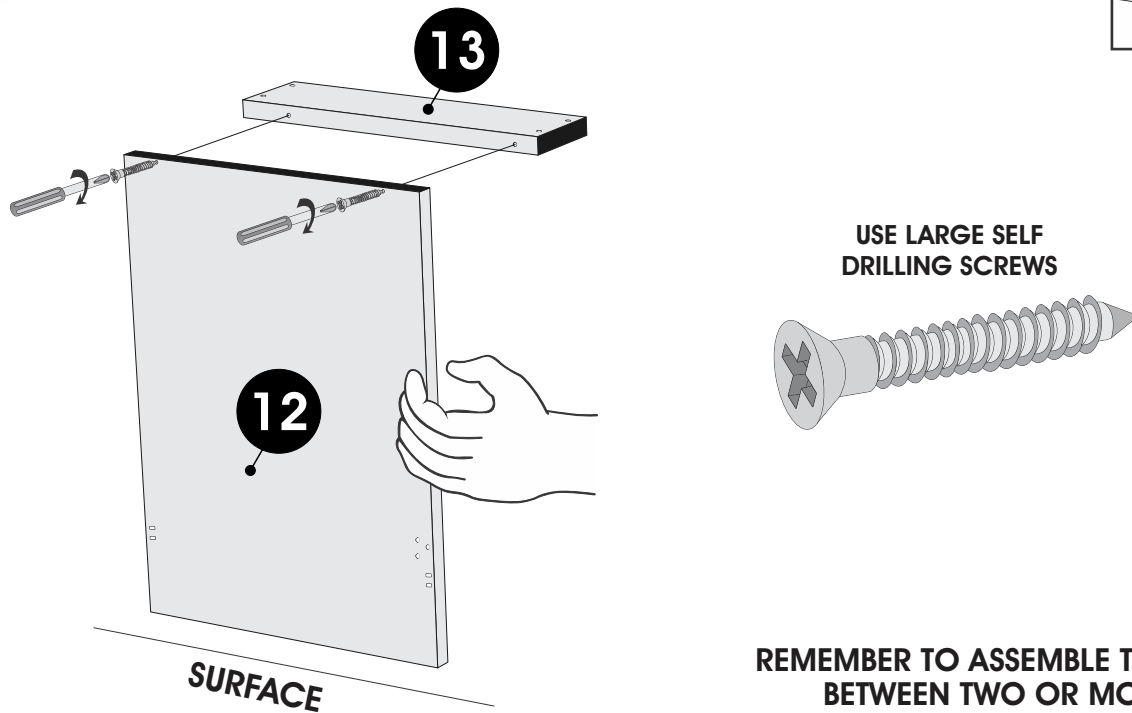
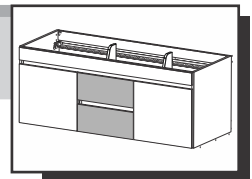


REAR VIEW

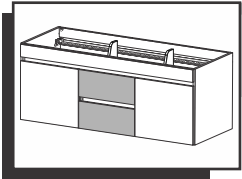


14

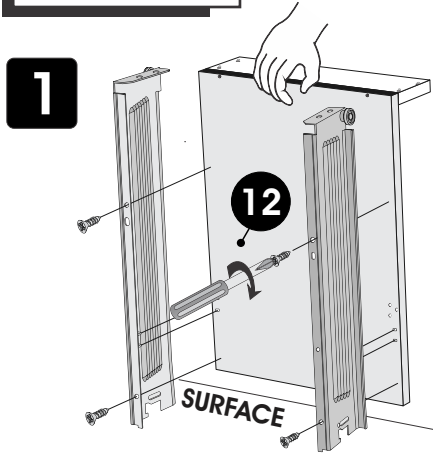
ASSEMBLE PIECES 12-13



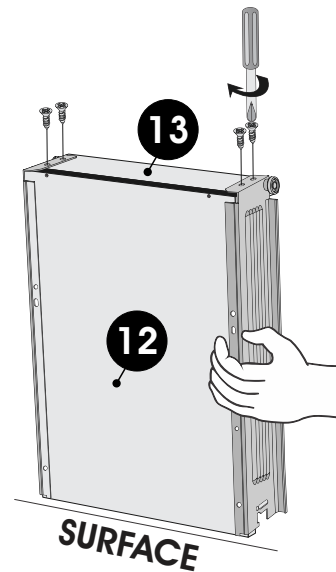
NOTE:
REMEMBER TO ASSEMBLE THE CABINET
BETWEEN TWO OR MORE PEOPLE.



INSTALL METAL SIDE DRAWERS

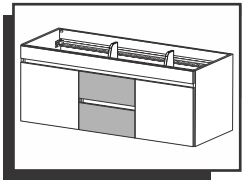
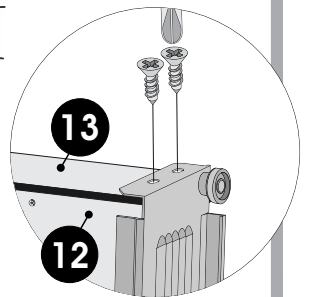
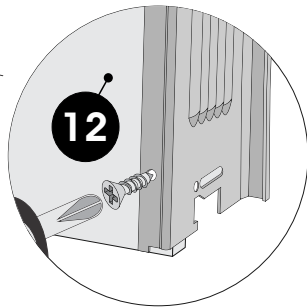


2

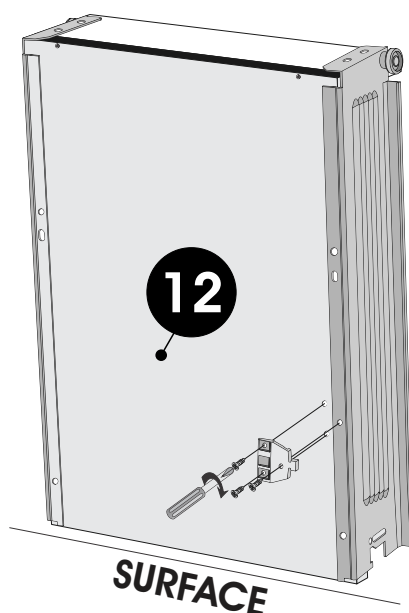


FIT THE METAL SIDE DRAWERS AND SCREW

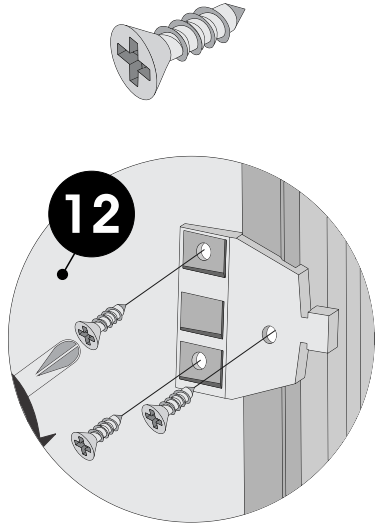
USE SCREWS FOR METAL SIDE DRAWERS



INSTALL SOFT-CLOSING MECHANISM



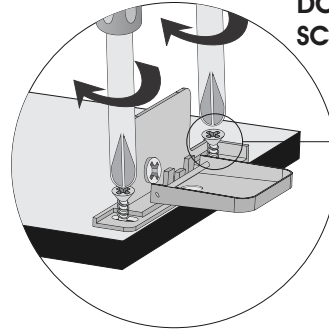
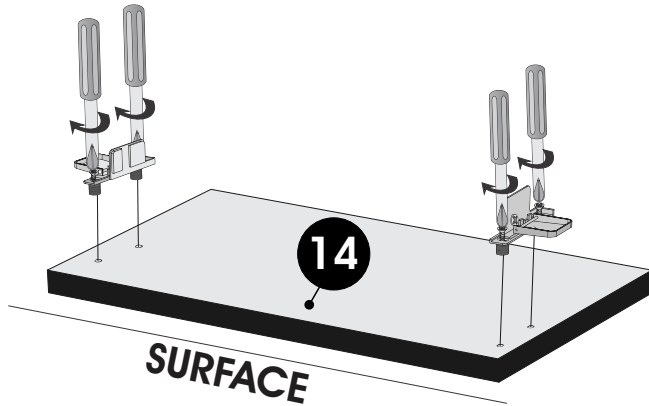
USE SCREWS FOR SOFT-CLOSING MECHANISM



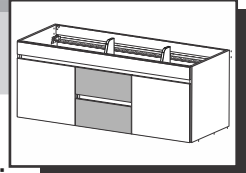
ASSEMBLY INSTRUCTIONS

17

INSTALL CLIP FRONT FIXING BRACKET LEFT/RIGHT



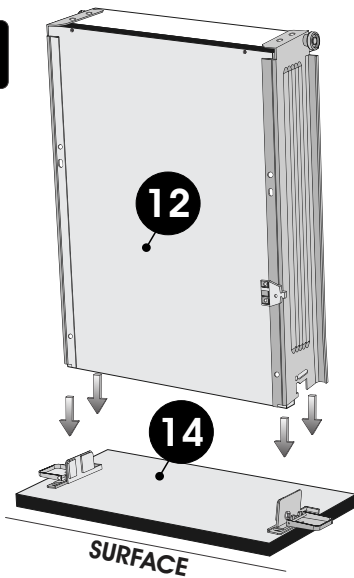
NOTE:
DO NOT TIGHTEN THE
SCREWS COMPLETELY



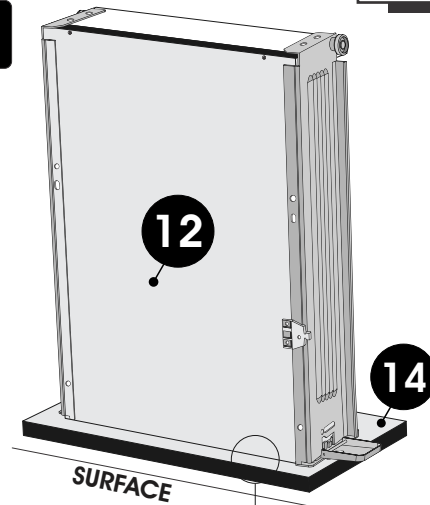
18

ASSEMBLE UPPER AND LOWER DRAWERS

1

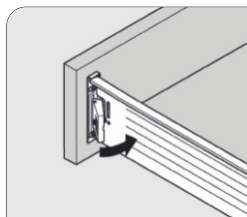
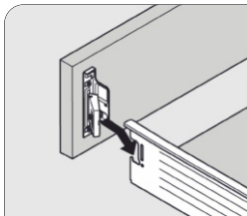


2

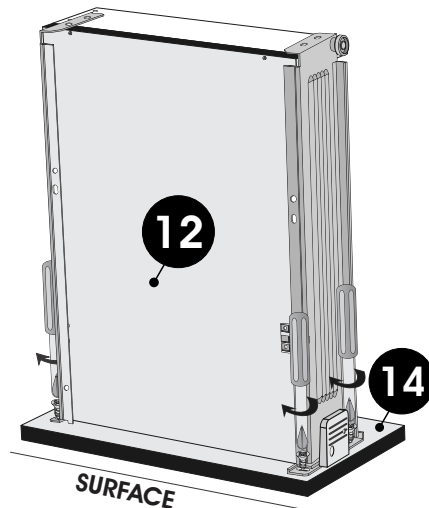


NOTE:
MAKE SURE THAT THERE IS NO
SPACE BETWEEN PIECE 12-14.

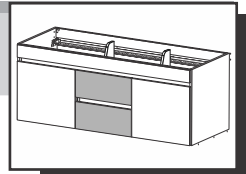
3

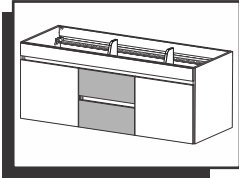


4



NOTE:
TIGHTEN THE SCREWS
COMPLETELY



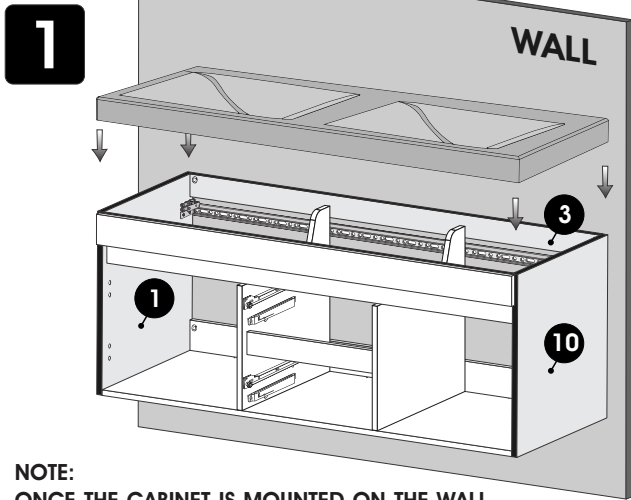


INSTALL SINK, CABINET HANGER COVERS AND DRAWERS

NOTE:
IF YOU BOUGHT THE OPTIONAL LEGS FOR YOUR CABINET THEN PLEASE FOLLOW THE INSTALLATION GUIDE ON PAGE 13 BEFORE YOU MOUNT THE CABINET ON THE WALL.

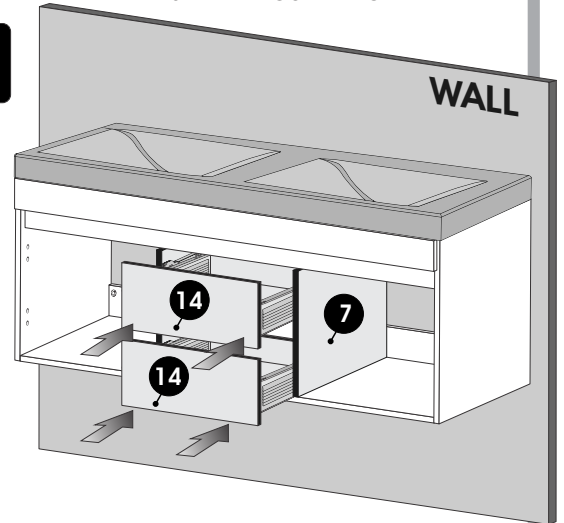
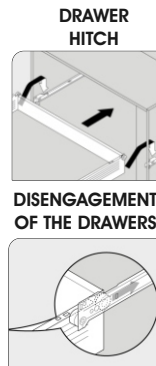
NOTE:
INSTALL THE DRAWERS AND PLACE THE HANGER COVERS ON THE HANGERS AFTER THE CABINET HAS BEEN MOUNTED ON THE WALL.

NOTE:
WHEN MOUNTING THE CABINET ON THE WALL USE THE INSTALLATION GUIDE ON PAGE 14.

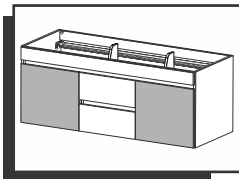
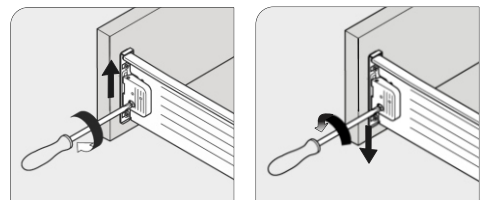


NOTE:
ONCE THE CABINET IS MOUNTED ON THE WALL, FOLLOW VANITY TOP INSTALLATION INSTRUCTIONS (INCLUDED WITH THE VANITY TOP)

2

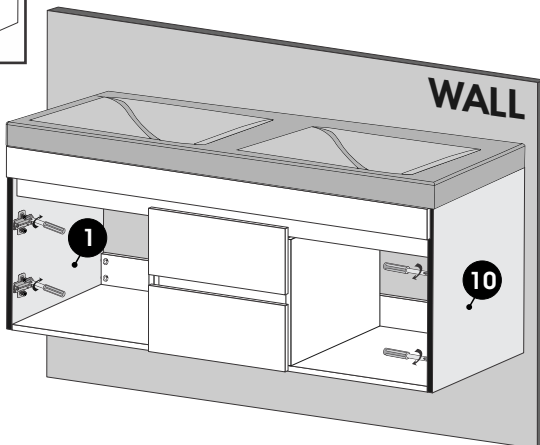
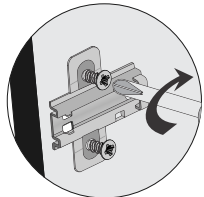


HEIGHT ADJUSTMENT

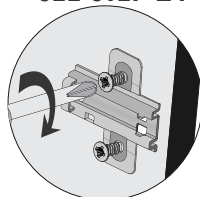


INSTALL HINGES AND HINGE PLATES

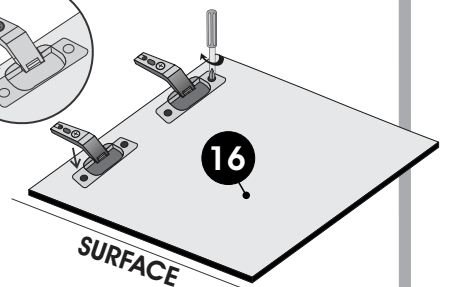
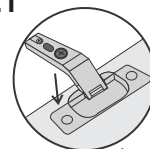
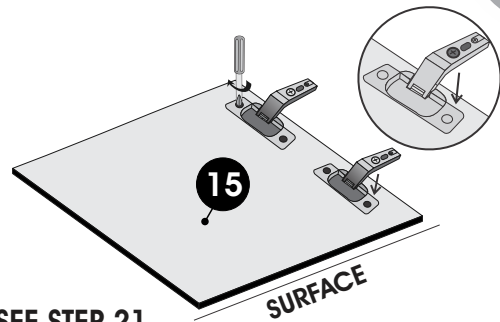
SEE STEP 21



SEE STEP 21

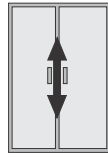
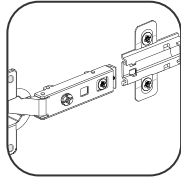
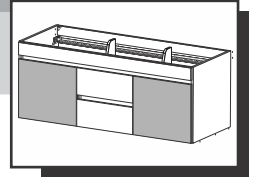


SEE STEP 21

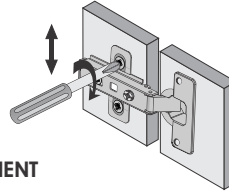


21

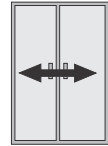
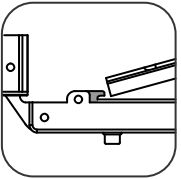
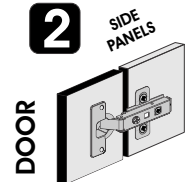
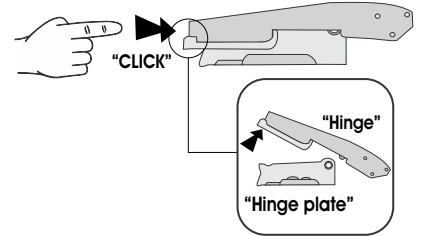
HINGE ASSEMBLY AND DOOR ADJUSTMENT



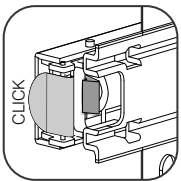
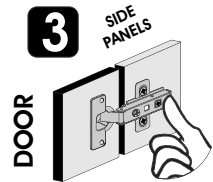
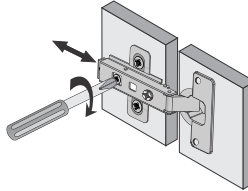
VERTICAL AJUSTMENT
To move the door up and down.



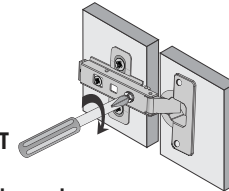
TO REMOVE THE DOOR USE THE FOLLOWING ACTION:



HORIZONTAL ADJUSTMENT
To move the door left or right.

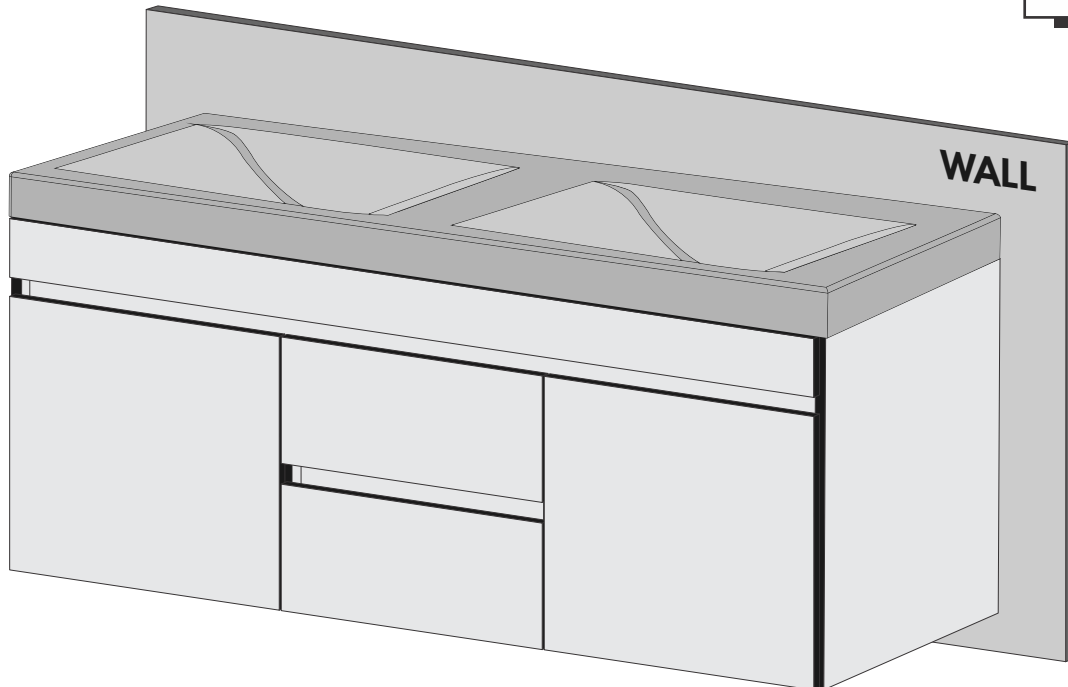
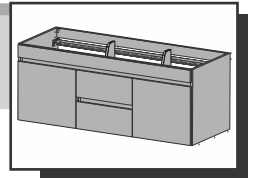


DEPTH ADJUSTMENT
To move the door forwards and backwards.



22

FINAL IMAGE OF THE CABINET



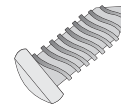


GUIDE TO INSTALL THE OPTIONAL VANITY LEGS

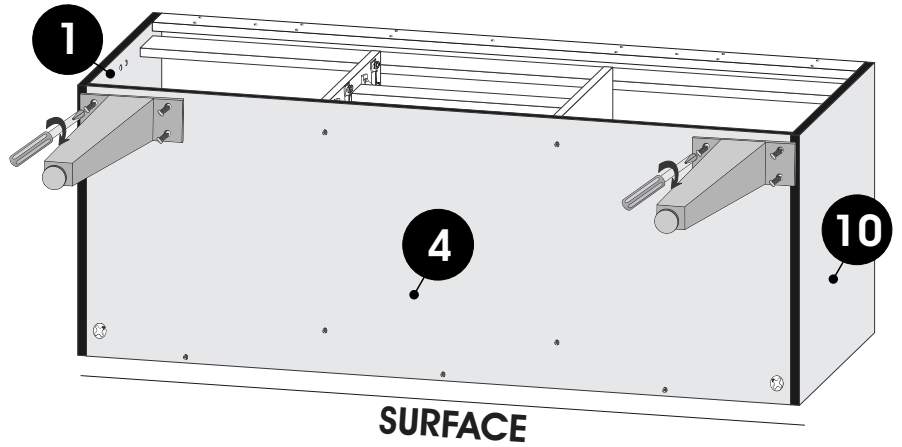
FOLLOW THESE STEPS IF YOU PURCHASED LEGS FOR YOUR VANITY

INSTALLATION OF THE LEGS MUST BE DONE AFTER THE CABINET IS ASSEMBLED BUT BEFORE IT IS MOUNTED TO THE WALL.

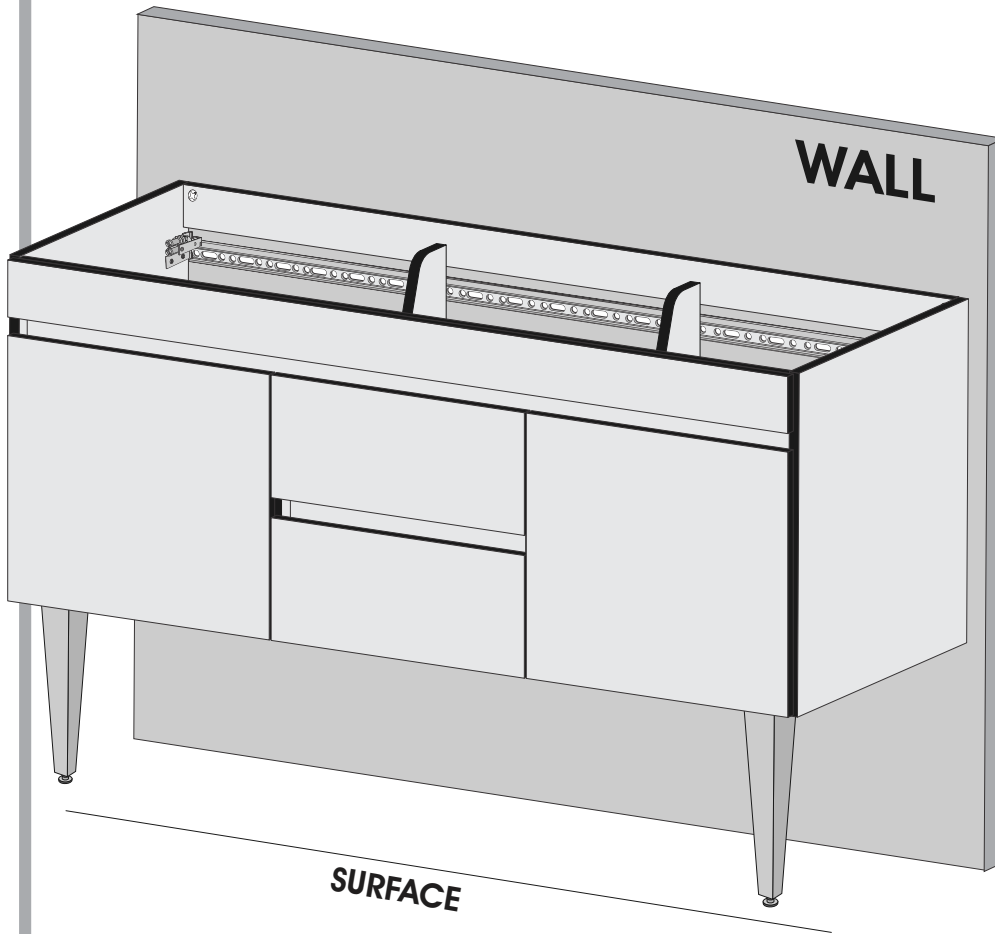
INSTALL LEGS IN PIECE 4.



USE SCREWS FOR LEGS



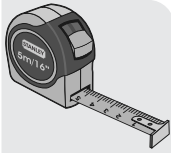
NOTE:
TWO PEOPLE ARE REQUIRED TO SAFELY LIFT THE CABINET



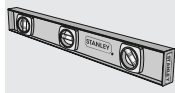
NOTE:
USE THE LEG LEVELER TO ADJUST THE HEIGHT.

GUIDE TO MOUNTING THE CABINET ON THE WALL

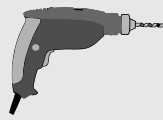
TOOLS REQUIRED (NOT INCLUDED)



TAPE MEASURE



LEVEL



DRILL



STUD FINDER



PENCIL



SILICONE

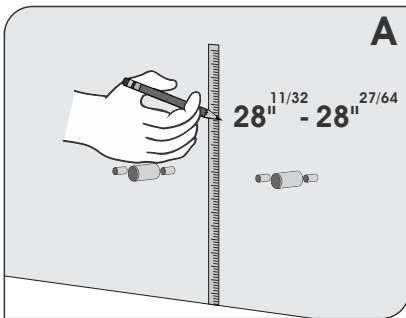


SCREWDRIVER

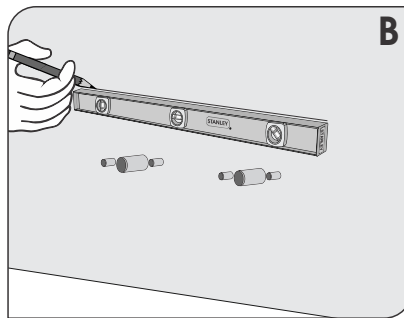
1

ATTACHING THE MOUNTING PLATE

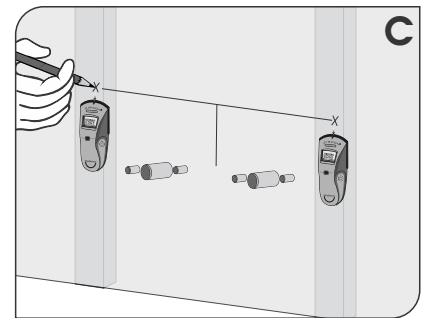
(Follow this guide if you are using the optional legs. Otherwise, install the mounting plate at your desired height)



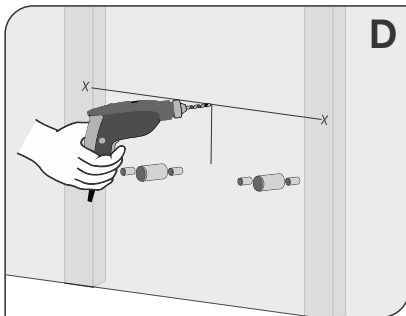
MEASURE FROM THE EDGE OF THE FLOOR UP.



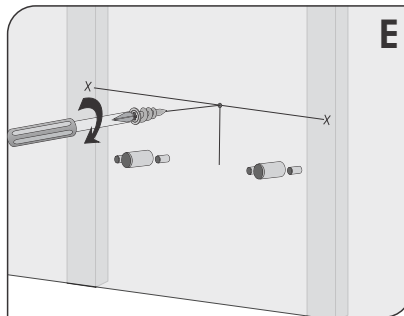
MARK A HORIZONTAL LINE WITH THE LEVEL AS A GUIDE TO INSTALL THE MOUNTING PLATE.



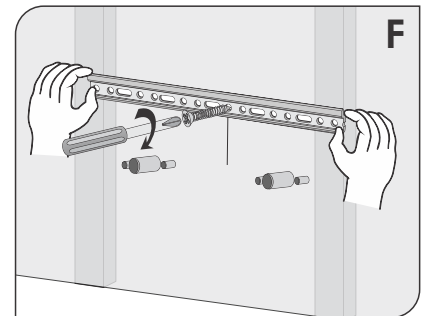
WITH THE STUD FINDER LOCATE THE STUDS AND MARK THEM WITH AN X, THEN MARK A LINE IN THE CENTER OF THE DRAINAGE.



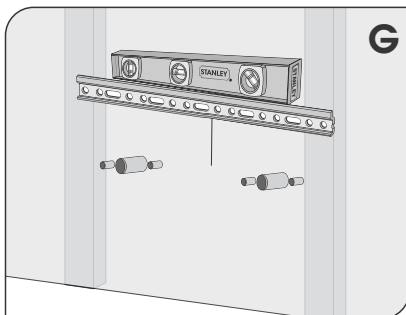
DRILL A MOUNTING HOLE IN THE INTERSECTION OF THE TWO LINES.



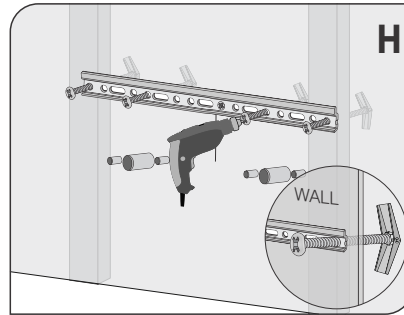
INSERT THE DRYWALL ANCHOR USING THE SCREWDRIVER.



INSERT THE SCREW INTO THE DRYWALL ANCHOR.



WITH THE LEVEL OVER THE MOUNTING PLATE MAKE SURE THAT THE PLATE IS LEVEL ON BOTH SIDES.

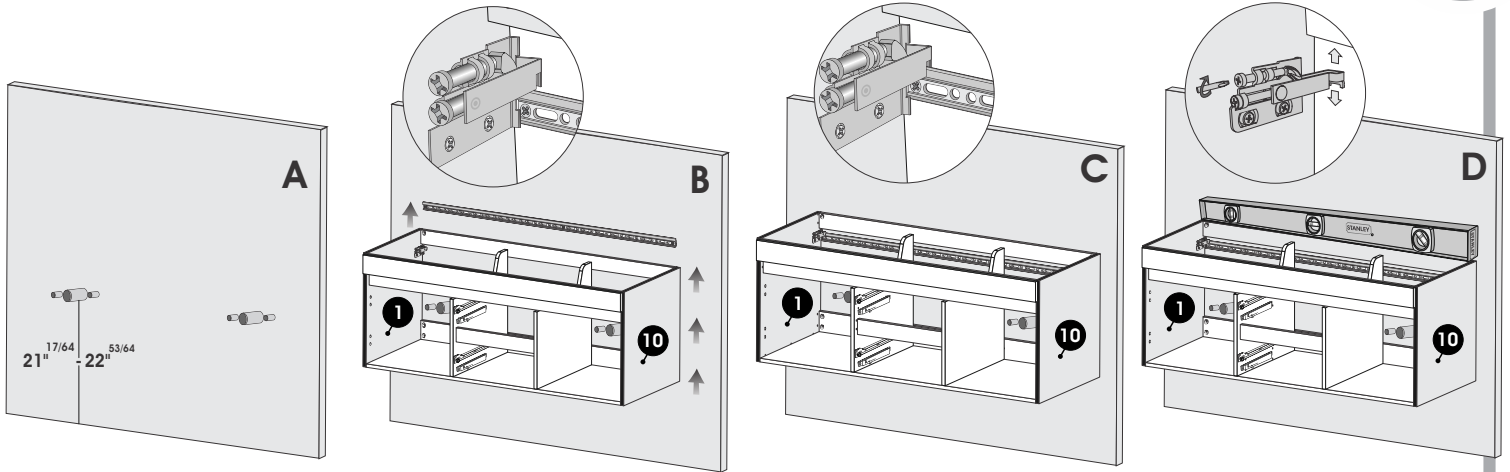


INSERT THE OTHER ANCHORS DIRECTLY INTO THE STUDS USING A DRILL WITH A HEXAGONAL BIT.

GUIDE TO MOUNTING THE CABINET ON THE WALL

HANG THE CABINET ON THE WALL

2

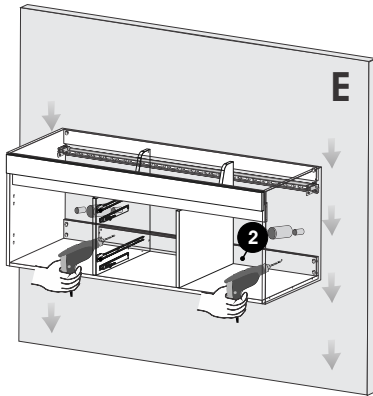


IF THE CONNECTIONS ARE NOT WITHIN THIS RANGE IT IS NECESSARY TO DO PLUMBING WORK FIRST.

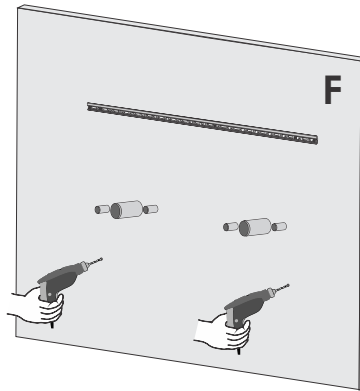
WITH TWO OR MORE PEOPLE LIFT THE CABINET UP ONTO THE MOUNTING PLATE.

MAKE SURE THAT THE HANGER IS ATTACHED TO THE PLATE.

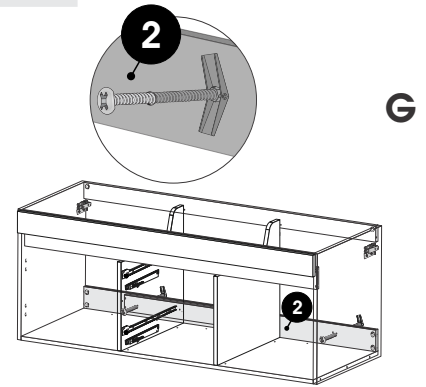
LEVEL THE CABINET.



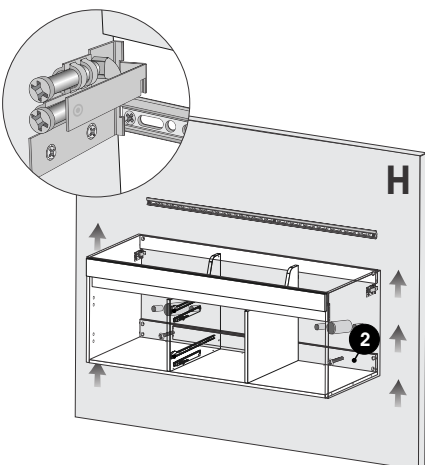
MARK THE DRILL GUIDES ON PIECE 2, NOTE THAT THEY MUST BE ALIGNED WITH THE SCREWS AT THE END OF THE PLATE, AND THEN REMOVE THE CABINET FROM THE WALL.



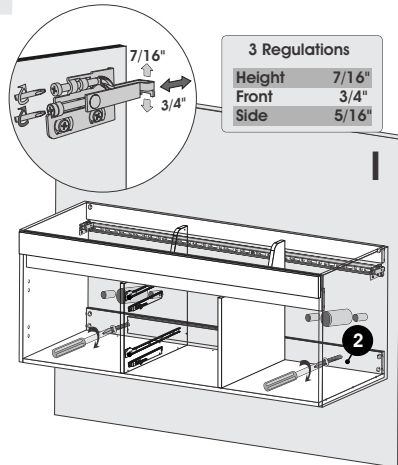
DRILL ON THE MARKS PREVIOUSLY MADE.



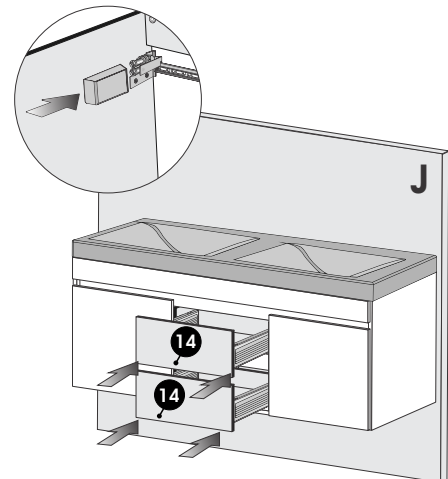
INSERT THE ANCHORS THROUGH PIECE 2.



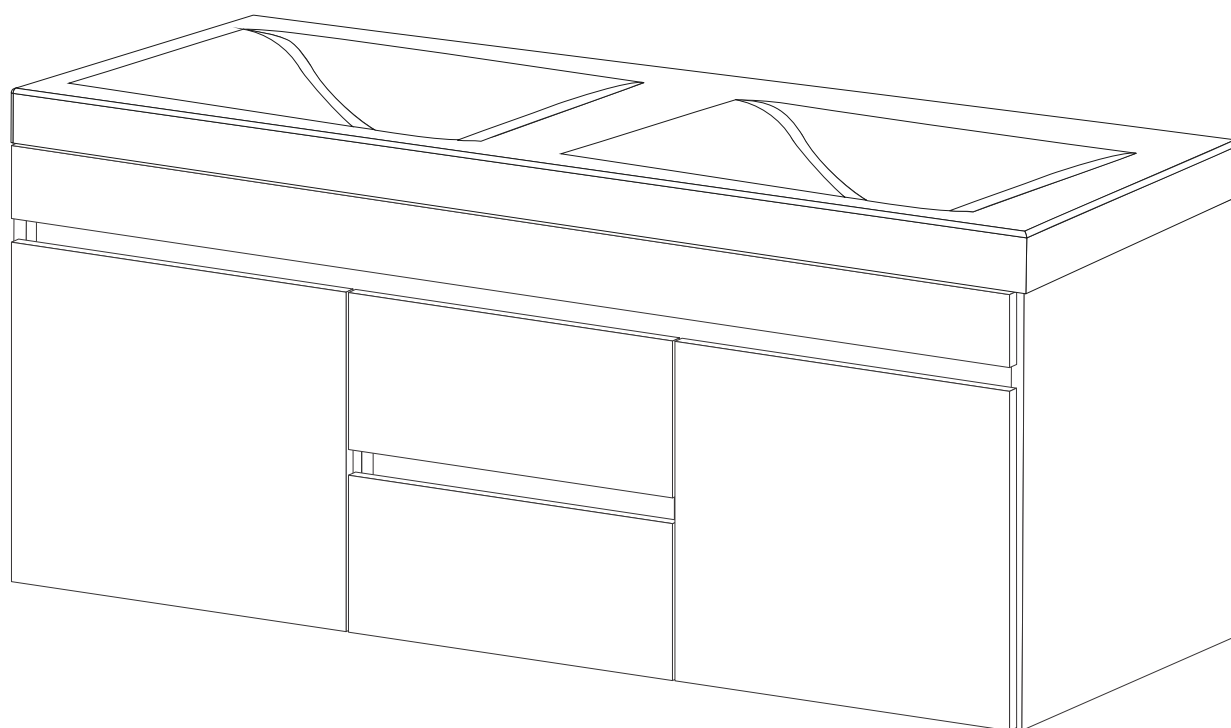
ONCE AGAIN LIFT THE CABINET AND ATTACH IT TO THE MOUNTING PLATE.



MAKE SURE THAT THE HANGERS ARE COMPLETELY ATTACHED TO THE PLATE AND THEN TIGHTEN THE ANCHORS.



INSTALL THE DRAWERS AND PLACE THE HANGER COVERS OVER THE HANGERS.



Enjoy your unit!!

OP No:



Vanity Top Installation Instructions

Instrucciones de instalación Para lavamanos vanity

Distributed by:
Liftbridge Kitchen & Bath.
For customer support please email : support@strategicretail-solutions.com, or call (888)930-8528.

Manufactured by FIRPLAK S.A
(574) 444 1771
servicioalcliente@firplak.com

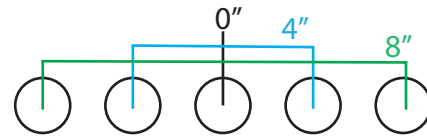


Important / Importante

Identify what type of faucet to install,
Faucet 0 " (already pre-drilled), Faucet 4"
or Faucet 8 "

Identifique que tipo de grifería va instalar
Grifería 0" (ya están previamente perfora-
dos), Grifería 4" o Grifería 8"

Drill-out guides located on the underside of the sink
Guías de pre-ponchado bajo la superficie del lavamanos



See drilling instructions if required. Page.3
Ver instrucciones de perforación si lo requiere. **Pag.3**

Installation instructions / Instrucciones de instalación

- 1 Assemble the faucet and drain on the sink before you install it on the vanity.
Instale la grifería y el desagüe en el lavamanos antes de fijar el lavamanos en el mueble.



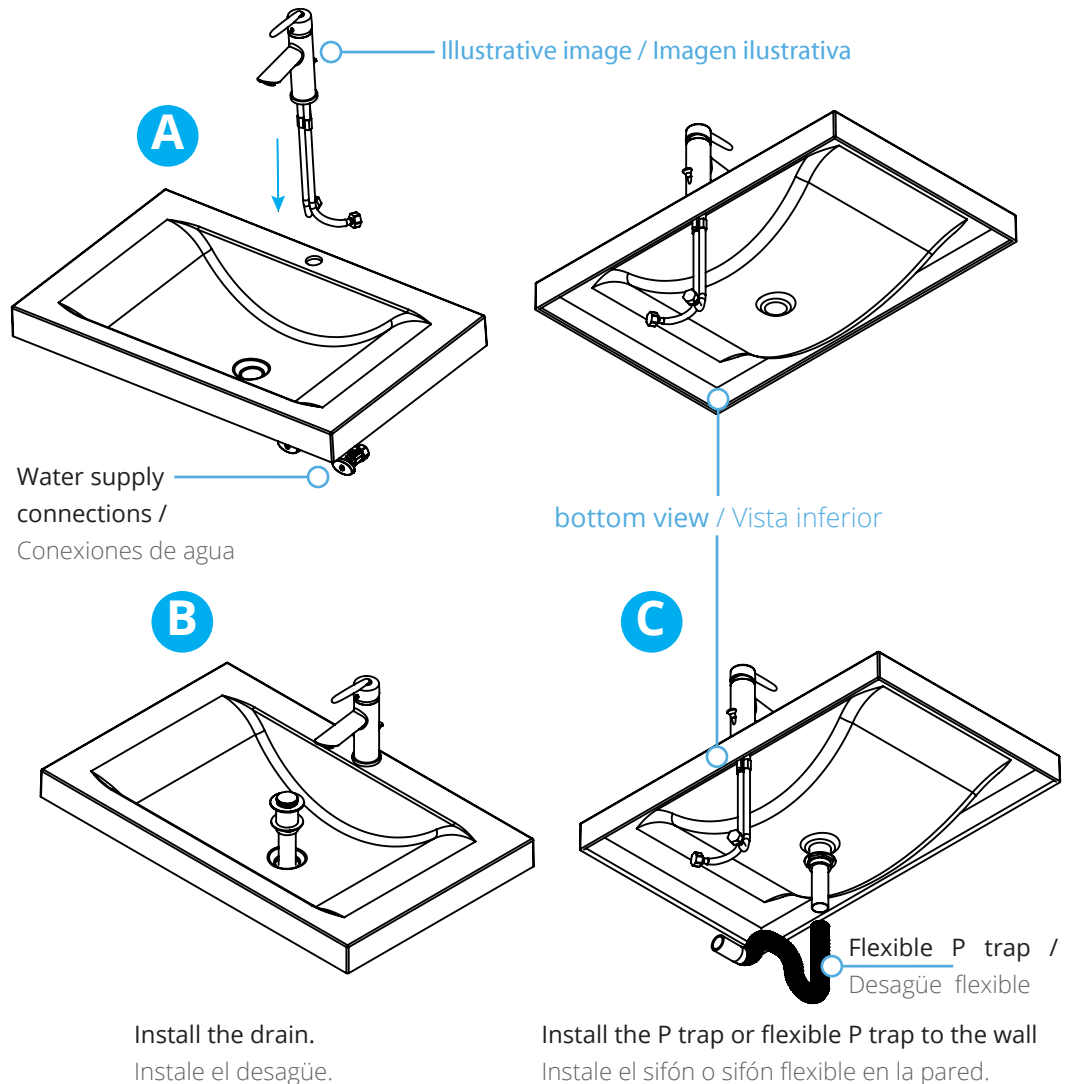
Install supply connections if you do not have them.
Instale las llaves de abasto si no las tiene.



ATTENTION
ATENCIÓN

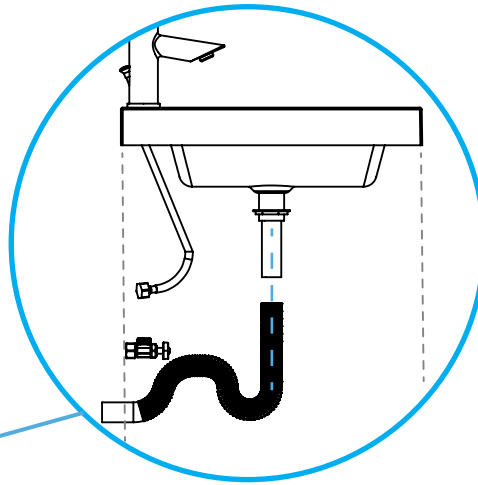
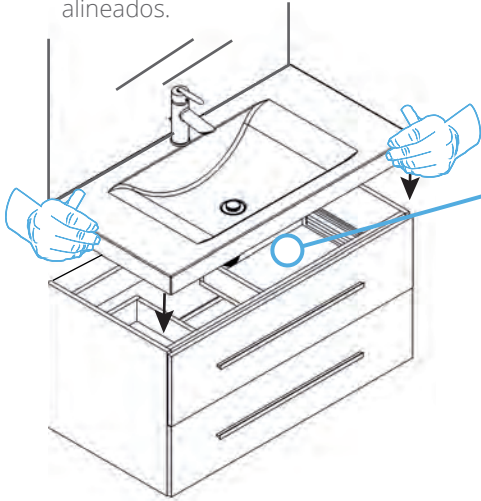
This vanity top uses a drain without an overflow.

Este lavamanos debe instalarse con un desagüe sin rebosar.



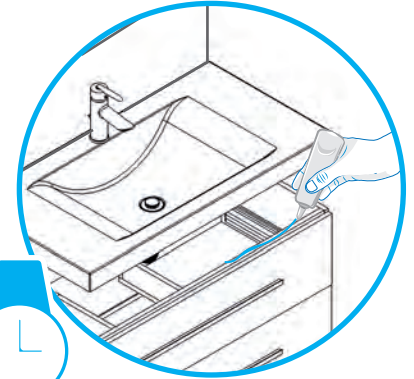
- 2** With the faucet installed and the help of another person, place the sink on the cabinet making sure the drain and lines fit correctly.

Con la ayuda de otra persona, ubique el lavamanos en el mueble y asegúrese que el desagüe y el sifón estén alineados.



- 3** Remove the sink and add a thin bead of silicone adhesive around the edge of the cabinet and carefully set the sink top on the vanity.

Levante el lavamanos y agregue un cordón fino de adhesivo de silicona alrededor del borde del mueble, luego ubique cuidadosamente el lavamanos sobre el mueble.

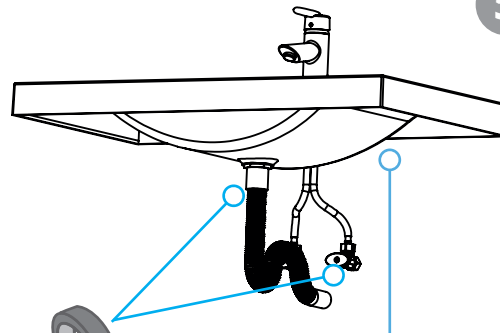


Let it dry for
24 hours
Dejar secar
24 horas



- 4** Once the adhesive has cured, connect the drain and water supply lines. **Strengthen connections with Teflon tape to prevent leakage.**

Una vez que el adhesivo haya secado, conecte las conexiones de desagüe y suministro de agua. **Refuerce las conexiones con cinta de teflón, para evitar fugas.**

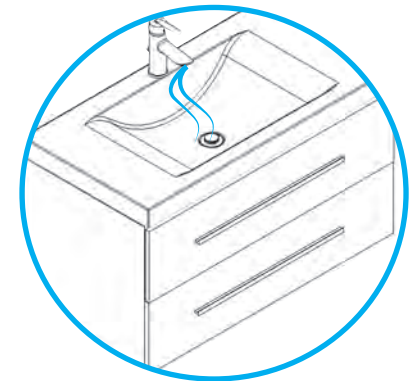


Teflon tape /
Cinta de teflón

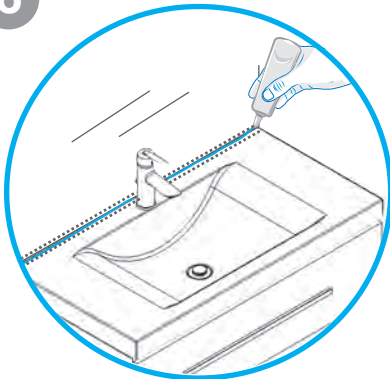
bottom view / Vista inferior

- 5** Turn the water on to test for leaks and make any necessary adjustments.

Deje correr el agua y verifique que no haya fugas, ajuste conexiones si es necesario.



6



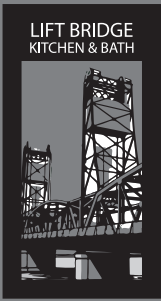
.....Tape / Cinta
— Silicone / Silicona

If you want to seal between the wall and sink, apply antifungal silicone between sink, the cabinet and the wall, use masking tape for a clean application.

Si desea tener **un sellamiento entre la pared y el lavamanos**, aplique silicona antihongos entre el lavamanos, el mueble y la pared, use cinta de enmascarar para lograr una aplicación limpia.

Tools and parts Herramientas y partes

- Faucet and drain
- Sink
- Grifería y desagüe
- Lavamanos
- Flexible P trap*
- Antifungal Silicon
- Sifón flexible*
- Silicona antihongos
- P trap
- Teflon tape
- Sifón
- Cinta teflón
- Screws and drywall anchor
- Cabinet
- Tornillos y chazos
- Mueble



Drilling Instructions for Faucet Installation

Instrucciones de perforación para la instalación de grifería

Distributed by:

Liftbridge Kitchen & Bath.

For customer support please email : support@strategicretail-solutions.com, or call (888)930-8528.

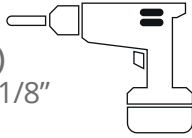
Manufactured by FIRPLAK S.A

(574) 444 1771

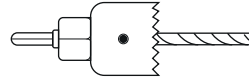
servicioalcliente@firplak.com



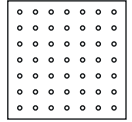
1/8 " Drill bit (guide)
Taladro broca (guía) 1/8"

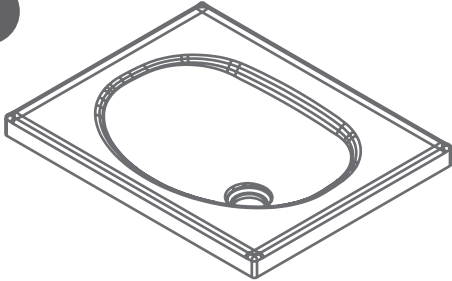


1-1/4" hole saw
Broca cierra de 1 1/4"

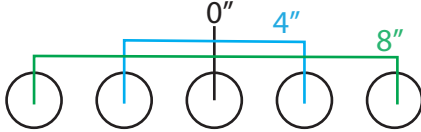
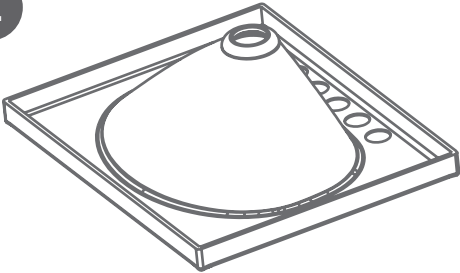


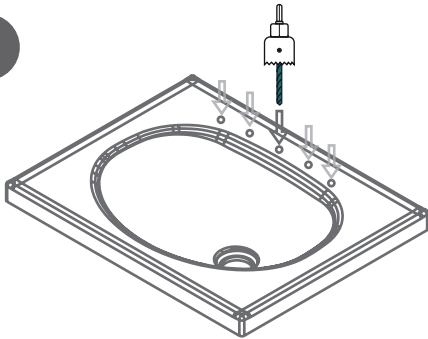
60 grit sandpaper
Lija grano 60

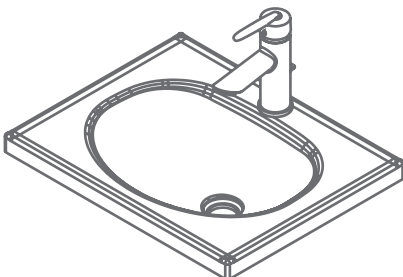


- 

1 Identify the type of faucet for your sink 0", 4" and 8", in order to drill the right holes.
Identifique el tipo de grifería que se va a instalar 0", 4" o 8", para perforar los orificios correctos.


- 

2 From the underside of the sink make a small hole using the guide drill bit, aiming for the center of the hole where you want to install the faucet.
Haga una pequeña perforación solo con la broca guía, buscando el punto céntrico del orificio en el que desee instalar la grifería.
- 

3 From the topside drill the holes guided by the marks made by the drill bit, using the 1-1/4" hole saw.
Perfore los orificios insinuados para instalar la grifería usando la copa sierra de 1-1/4". Esto se debe hacer con el lavamanos hacia arriba. Este proceso se repite para las perforaciones que la grifería requiera.
- 

4 After drilling the hole, polish any scuffs with 60 grit sandpaper, proceed to install the faucet, according to the faucet's manual.
Después de perforar el orificio, pule con lija 60 y proceda a instalar la grifería de acuerdo al manual de la grifería.



Maintenance Guide Sinks, laundry sinks and kitchen sinks

*Guía de mantenimiento / Lavamanos,
lavarropas y lavaplatos.*

Distributed by:
Liftbridge Kitchen & Bath.
For customer support please email : support@strategicretail-solutions.com, or call (888)930-8528.

Manufactured by FIRPLAK S.A
(574) 444 1771
servicioalcliente@firplak.com



Cultured Marble / *Mármol cultivado*

Cultured Marble is a man-made, chemically bonded, mineral-filled, polymeric material, which is molded and hardened in a variety of shapes.

El mármol cultivado es un material polimérico de origen mineral, químicamente fusionado, fabricado artificialmente que se moldea y endurece en una variedad de formas.

Cleaning High Gloss Finishes / *Limpieza para acabado brillante*

This material is manufactured with a high-gloss coating called a gel-coat which becomes an integral part of the product. The gel coat layer is resistant to most staining agents. However, products containing harsh chemicals or acids (hair color, acetone nail polish remover, etc.) can damage the finish if allowed to remain on gel coat surface for an extended period.

Any cleaning should be handled the same as the automotive finish on your car. Use a mild non-abrasive cleanser, liquid dish soap, baking soda and water, or vinegar and water with a soft cloth or sponge. (Do not use scotch-brite pads, scouring pads, steel wool, scrapers, or sandpaper) **DO NOT USE ABRASIVE CLEANERS.**

Before using any cleaner, be sure to read the label for recommended usage and warnings. To remove hard water stains or mineral deposits, use a vinegar soaked soft cloth to soak area for an extended period and then wipe clean. Protect the surface with regular applications of automotive wax.

Este material se fabrica con un recubrimiento de alto brillo denominado gel coat que se convierte en una parte integral del producto. La capa de revestimiento de gel es resistente a la mayoría de las manchas. Sin embargo, los productos que contienen químicos fuertes o ácidos (colorante para el cabello, removedor de esmalte de uñas de acetona, etc.) pueden dañar el acabado si se deja permanecer en la superficie del gel coat durante un período prolongado.

Cualquier limpieza se debe manejar igual que el acabado automotriz en su coche. Use un limpiador no abrasivo, suave, jabón líquido para platos, bicarbonato de sodio y agua, vinagre y agua con un paño suave o una esponja. (No utilice esponjas scotch-brite, almohadillas de fregar metálicas, raspadores o papel de lija) **NO UTILICE LIMPIADORES ABRASIVOS.**

Antes de usar cualquier limpiador, asegúrese de leer la etiqueta para el uso recomendado y las advertencias. Para eliminar manchas de agua dura o depósitos de minerales, use un paño suave empapado de vinagre para remojar el área por un período prolongado y luego limpie. Proteja la superficie con aplicaciones regulares de cera automotriz.

Removing scratches – High Gloss Finishes / *Para eliminar rayones en acabado brillante*

To remove fine scratches, scuffmarks or light stains from your high gloss product use an automotive buffing compound or baking soda and a hand-held polisher.

Deeper scratches may require wet sanding with appropriate sandpaper (600, 800, 1000). To bring the shine back, buff with an automotive buffer and polishing compound.

Do not use rubbing compound, as this is too coarse. A professional should handle deep scratches. You **MUST** be careful **NOT** to buff or sand through the gel coat surface. Once this is done, the piece is no longer protected in that spot. Protect the surface with regular applications of automotive wax.

Para quitar rayones superficiales o las manchas ligeras de su producto con apariencia brillante utilice cera para automóviles o un bicarbonato de sodio y un pulidor manual.

Las rayas más profundas pueden requerir lijado en húmedo con papel de lija apropiado (600, 800, 1000). Para traer el brillo de nuevo, puede utilizar cera para automóviles.

No utilice rubbing compound (pasta pulidora) ya que es demasiado abrasiva. Un profesional debe manejar rayas profundas. Debe tener cuidado de no pulir con polvo o arena sobre la superficie del producto. Una vez hecho esto, la pieza ya no estará protegida en ese lugar. Proteja la superficie con aplicaciones regulares de cera para automóviles.