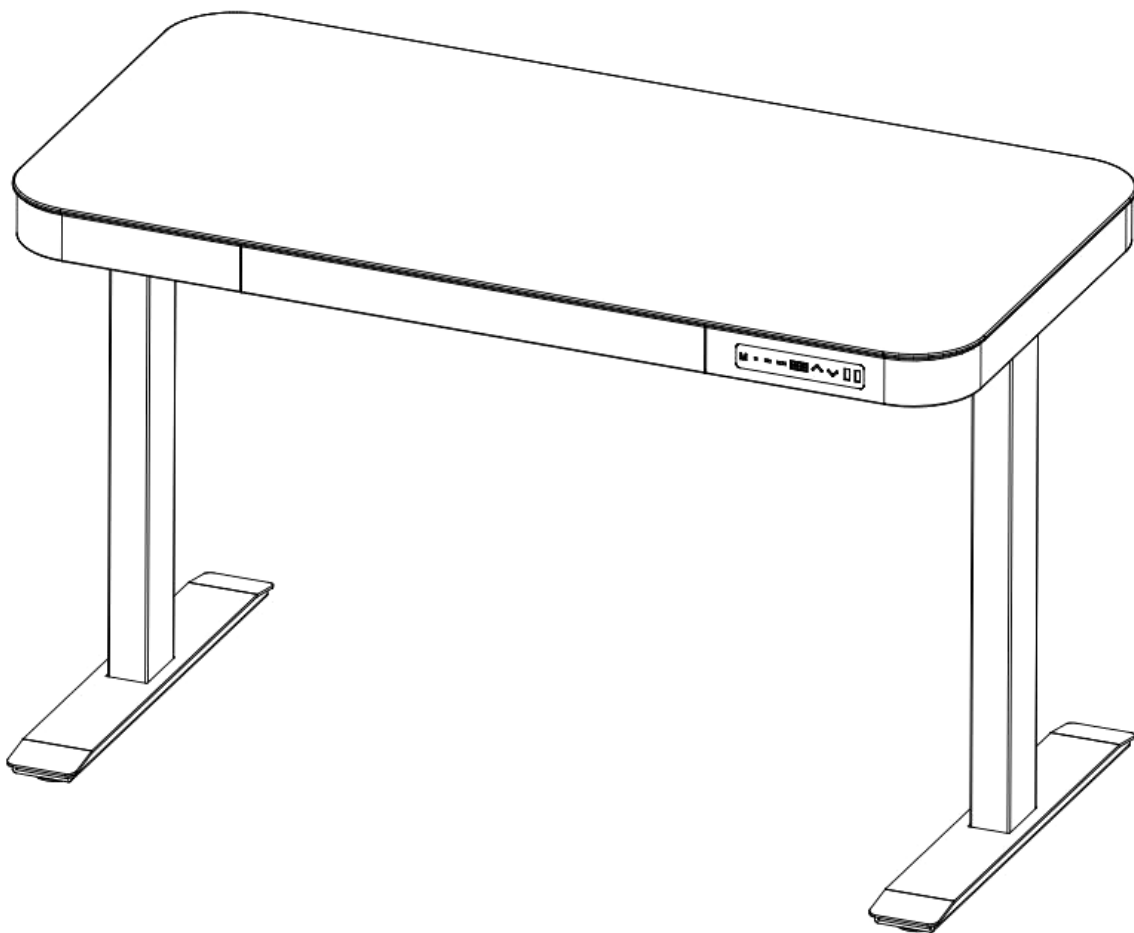




AIRLIFT[®] Tempered Glass Electric Standing Desk with Dual USB Charger



Models: OFF65871, 2, 3

Thank you for choosing Seville Classics! We hope that you enjoy your new sit-to-stand desk. Please read through this user guide for parts list, instructions, frequently asked questions and contact information.

Welcome!

We at Seville Classics® are thrilled that you've chosen to go AIRLIFT®! Our desks are some of the easiest to use, most versatile and sophisticated electronic desks on the market. With this, you can stay active throughout the day without sacrificing productivity.

Choosing a height-adjustable desk is not just a convenient upgrade—it's a healthy one! Too much sedentary behavior can present a real health risk, even for people who are already healthy. Simply getting up throughout the day and moving is a great way to fight the consequences of too much sitting.

AIRLIFT® is here to help.

Please read through this manual for more information regarding your AIRLIFT® Tempered Glass Electric Standing Desk with Dual USB Charger.

Thank you for choosing Seville Classics®! We hope you will enjoy this desk for many years to come.

Table of Contents

SAFETY INSTRUCTIONS	5
COMPONENT DIAGRAM	6
PARTS LIST	7
ASSEMBLY INSTRUCTIONS	8
Unpack	8
Install Left Leg	9
Install Right Leg	10
Connect Motors	11
Final Steps	12
INITIALIZATION & USE INSTRUCTIONS	13
TROUBLESHOOTING	14
WARRANTY INFORMATION	15
SPECIFICATIONS	16
CUSTOMER SERVICE INFORMATION	16

Safety Instructions



FAILURE TO COMPLY WITH OR OBSERVE ALL ASSEMBLY, SAFETY AND OPERATING INSTRUCTIONS AND WARNINGS REGARDING THE USE OF THIS PRODUCT MAY RESULT IN SERIOUS BODILY INJURY



- Read and understand this manual before attempting to install or operate.
- Assure that everyone who uses this product is informed of the contents of this manual. This is the responsibility of the Purchaser.
- Not intended for use by young children or for those persons who require supervision.
- Do not open any of the components – legs, control box, or controller. There is a risk of electric shock.
- Assemble desk on a flat and level surface.

Use & Liability

Safe use of this product is possible only when the operating instructions are read completely and the instructions contained are strictly observed. Persons who do not have the necessary experience or knowledge of this product must not use the product. Persons with reduced physical or mental abilities should not use this product, unless they are under supervision or they have been thoroughly instructed in the use of the apparatus by a person who is responsible for the safety of these persons. Children should be closely supervised to ensure that they do not play with this product.

Before You Begin

Layout all components and hardware. Visually examine and make sure components are free of damage. If there is visual damage to any component, it must not be installed.

Two people are needed to turn or move the desk and some of its components. When moving or turning the assembled desk, grab the legs, not the desk top.

Make sure to assemble on a soft and non-abrasive surface to avoid scratches.

Check all connections and cables. Make sure control box is connected to a power outlet.

If the control box makes unusual noises or emits an odor, switch power off immediately.

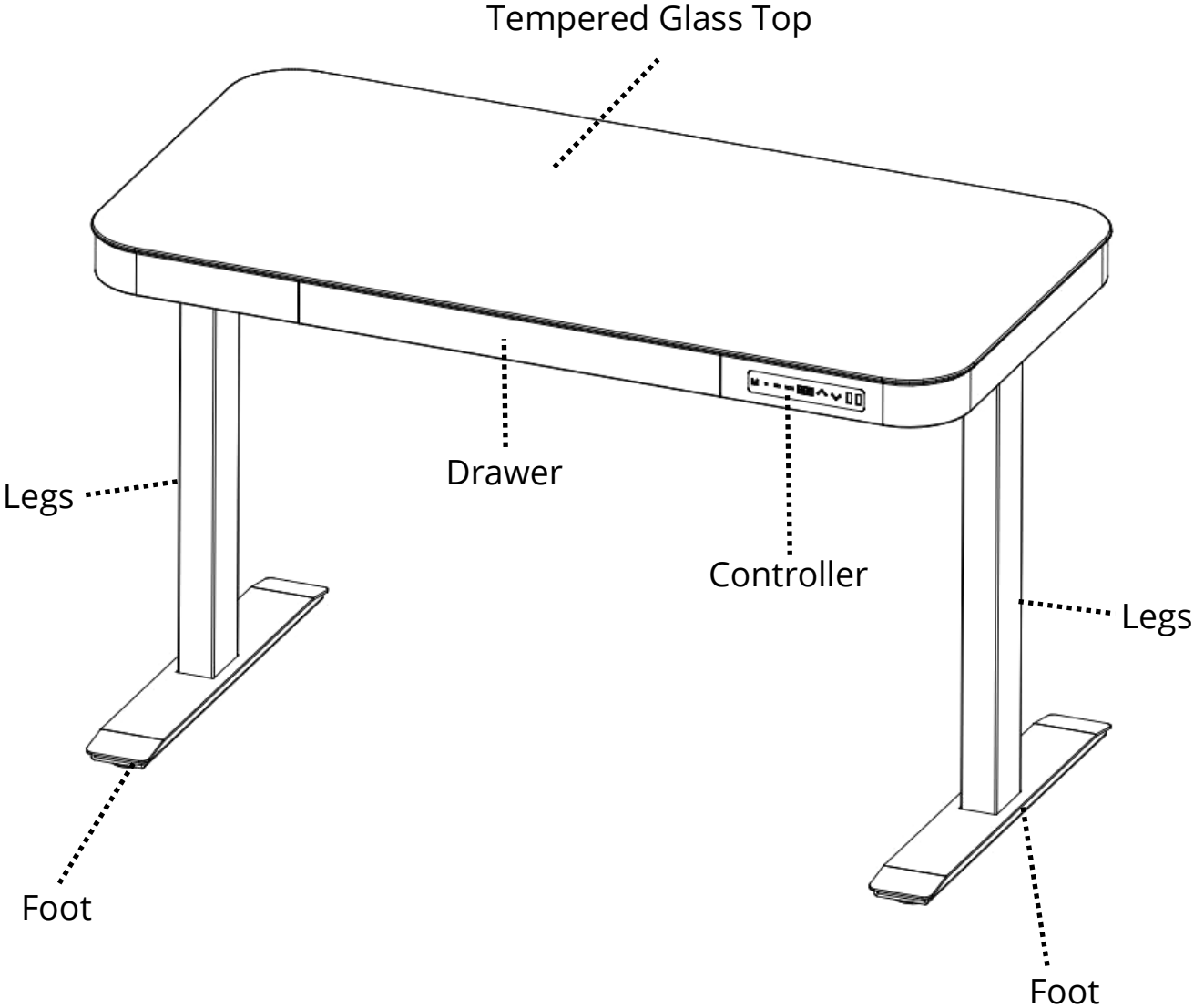


The desk MUST be INITIALIZED before first use.

Read the INITIALIZATION chapter prior to operation.



Component Diagram

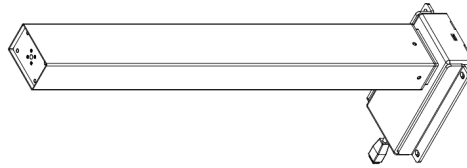


Parts List

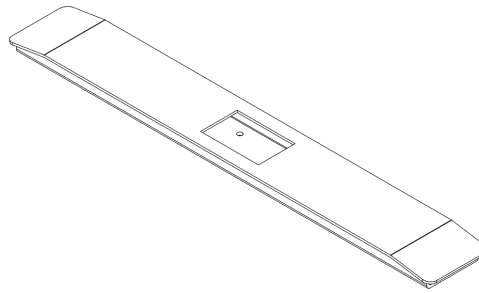
A. Top



B. Legs



C. Feet



D. Screws



E. Hex key



Please make sure you have all the parts on this list.

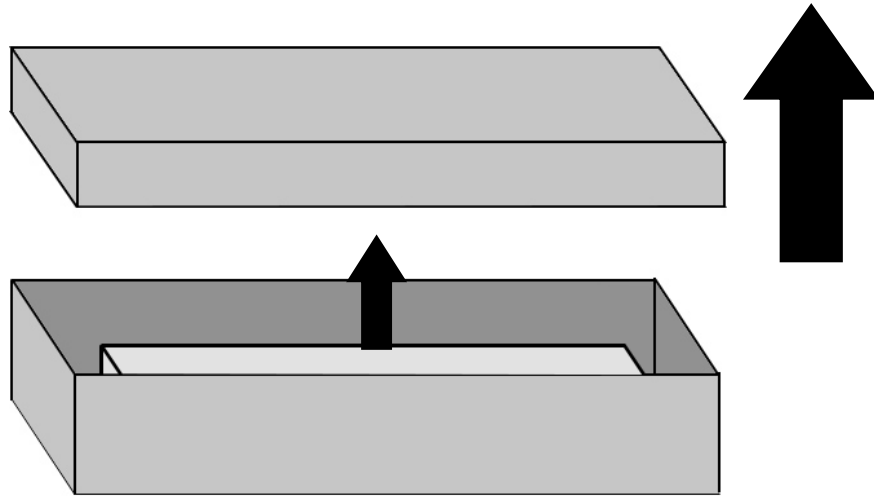
Extra washers are included and some may remain unused after assembly.

If you're missing parts, contact us for replacements at (800) 323-5565 or send an email to Support@SevilleClassics.com

Assembly Instructions: Unpack

Remove the box lid and remove inner box containing parts.

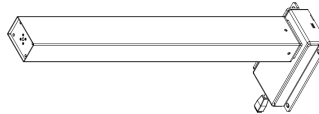
Leave the **TOP (A)** in the box.



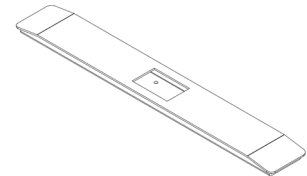
Layout all components and hardware. Examine each and make sure components are without damage.



Top

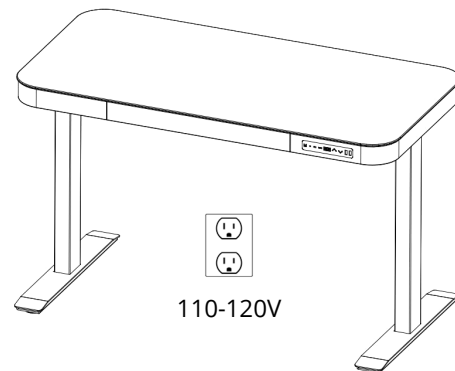


Legs (x2)



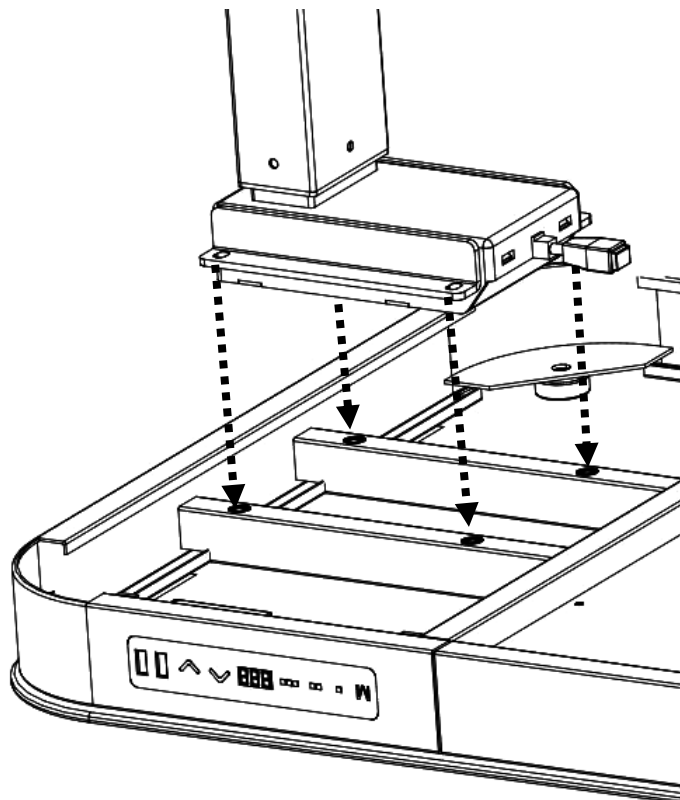
Feet (x2)

Examine the location where you'll be using the desk. Make sure there is a grounded outlet or power strip nearby.

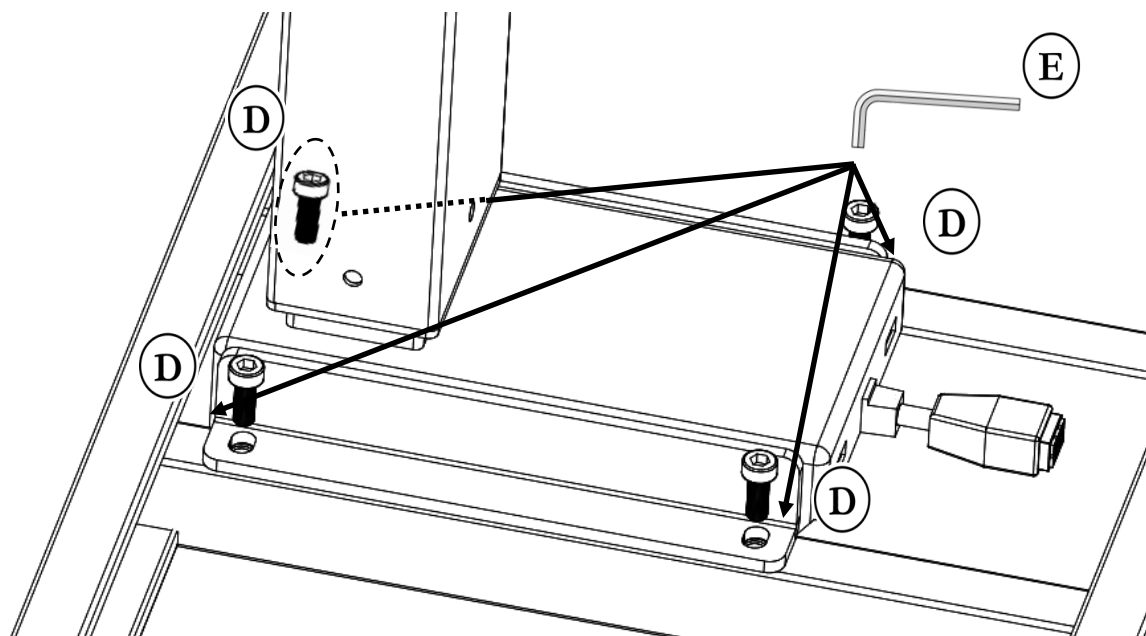


Assembly Instructions: Install Left Leg

STEP 1. Fit left **LEG (B)** to frame underneath **TOP (A)**.

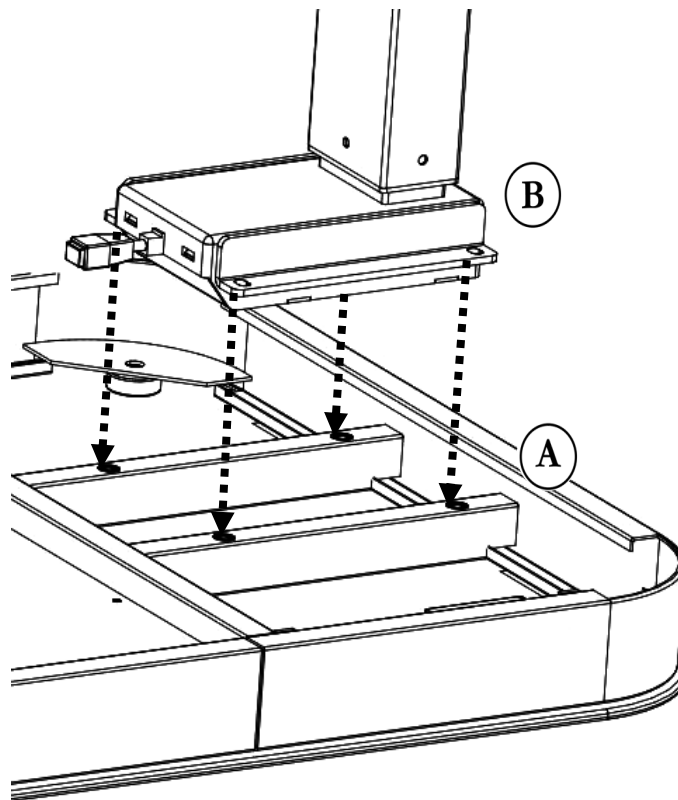


Attach with **SCREWS (D)** using **HEX KEY (E)**.

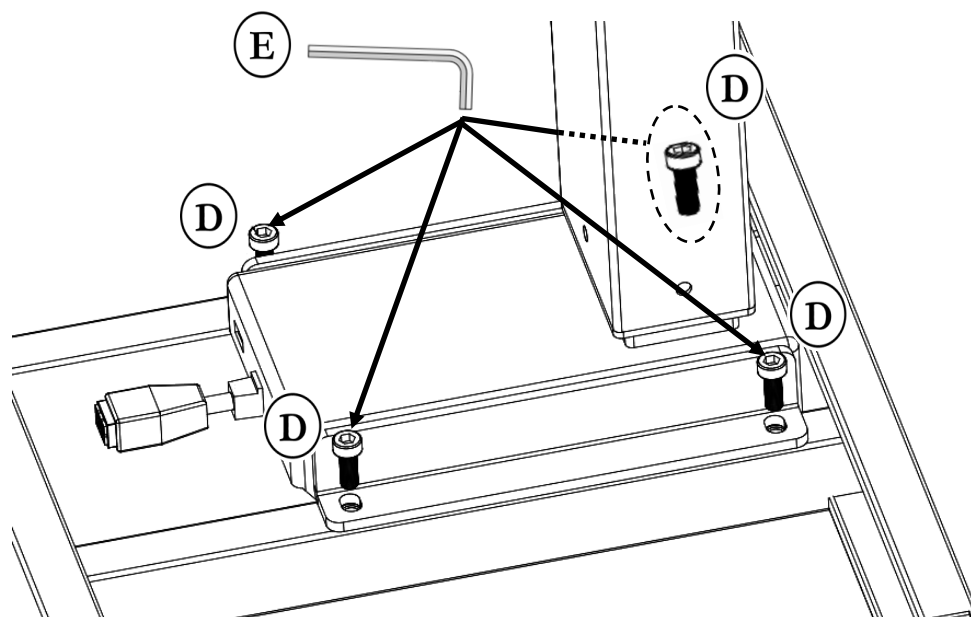


Assembly Instructions: Install Right Leg

STEP 1. Fit right **LEG (B)** to frame underneath **TOP (A)**.

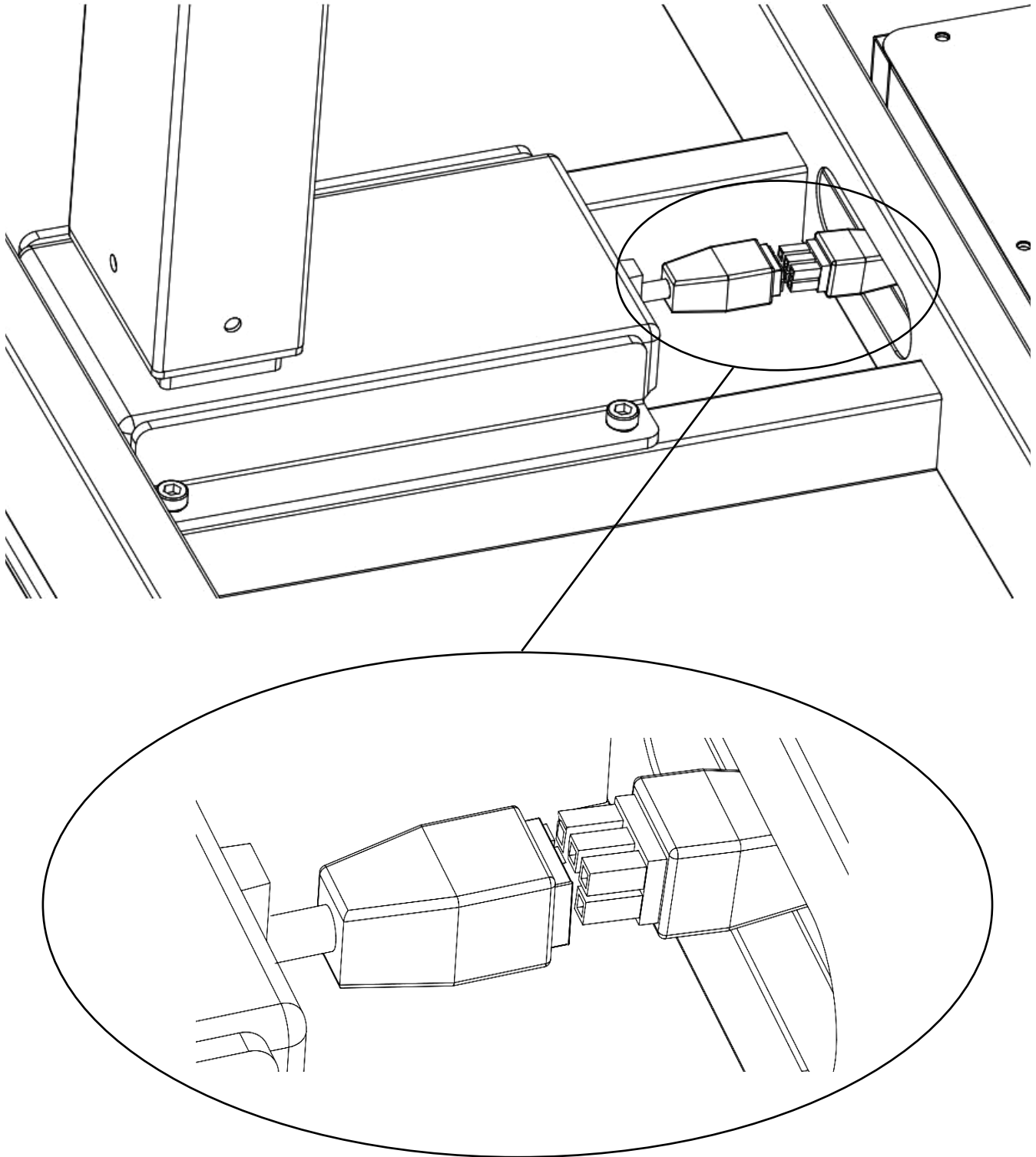


Attach with **SCREWS (D)** using **HEX KEY (E)**.



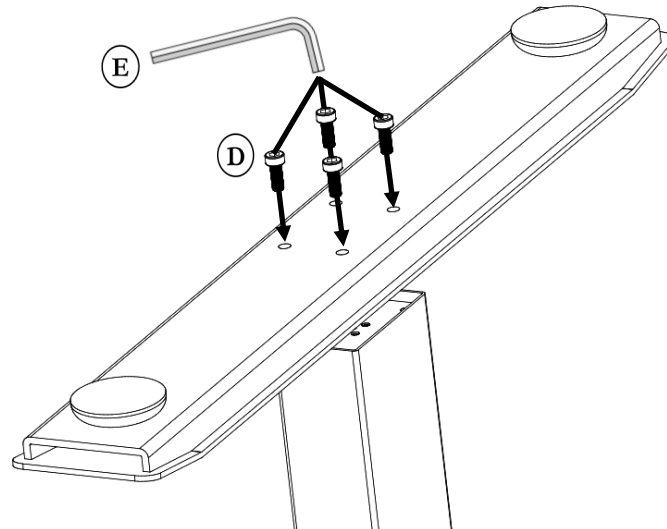
Assembly Instructions: Connect Motors

STEP 4. Plug in motors on **LEGS (B)** to controller box plugs on **TOP (A)**.



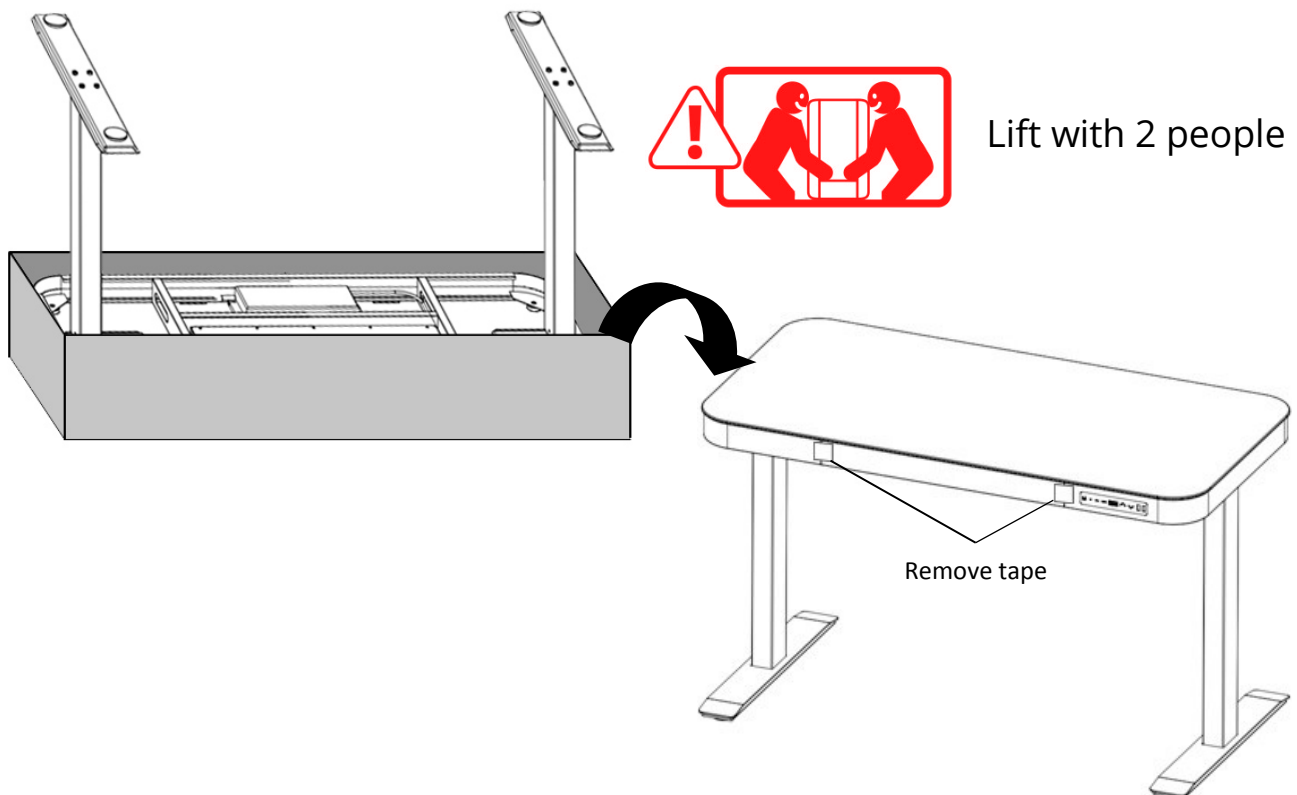
Assembly Instructions: Final Steps

STEP 5. Attach **FEET (C)** to **LEGS (B)** with **SCREWS (D)** and **HEX KEY (E)**.



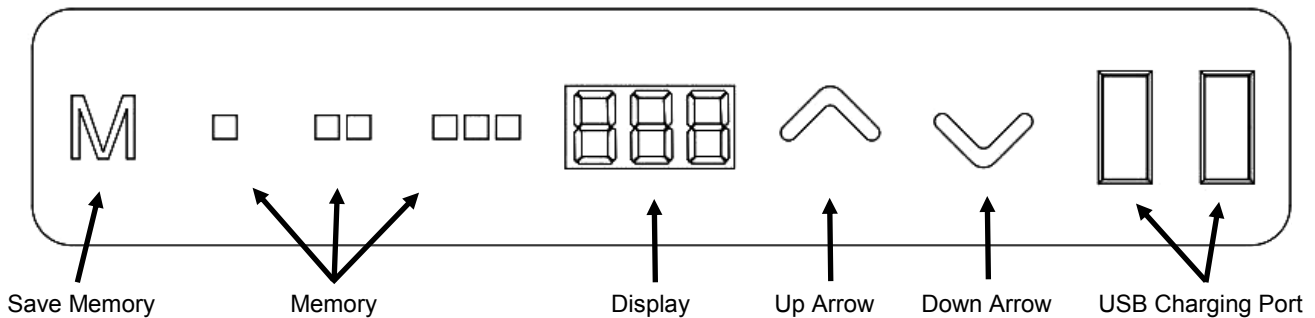
Tip! Take this time to make sure all screws have been tightened.

STEP 6. With another person, lift and tilt the table onto its feet.



Initialization & Use Instructions

DESK MUST BE INITIALIZED BEFORE YOUR FIRST USE



Initialize

Press and hold the **UP ARROW** and **DOWN ARROW** simultaneously on the controller until three blinking zeros appear on the display.

The desk will descend to its lowest height, then rise to its highest, and then descend to middle-height. Desk is ready when **38 (+/- 1)** appears on the display.

It may be necessary to reinitialize the desk from time-to-time due to power outages or simply due to use.

Adjust Height

Press and hold the **UP ARROW** to lift.

Press and hold the **DOWN ARROW** button to lower.

Save Height

Press and hold the **M button + Number buttons** for 1 to 3 seconds until the displayed number starts blinking.

Recall Height

Press the desired **Number button** twice, or press and hold to adjust to the height stored at that number.

Advanced Mode

Long press the **M button** for 6 seconds to enter the advanced mode.

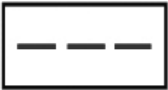
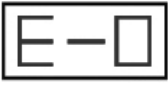

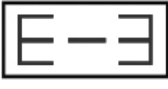


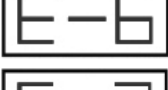



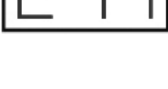
Users can adjust the lowest height during normal operation in this mode.

After adjustment, press M for 6 seconds to confirm the change.

Troubleshooting

Problem	Action
Desk does not go up or down and the controller does not illuminate when any button is pressed.	Check all connections. Make sure power cord is plugged into the control box and a power outlet. Press any button on the controller and make sure it illuminates. Re-initialize the desk.
Desk does not go up or down and the controller illuminates when any button is pressed.	Unplug the power cord and re-plug after 10 seconds. Re-initialize the desk. If the problem persists, switch motor cables from one port to another at control box and re-initialize again.
Columns do not go up evenly.	Unplug the power cord and re-plug after 10 seconds. Re-initialize the desk. If the problem persists, switch motor cables from one port to another at control box and re-initialize again.
Desk wobbles excessively.	It is normal that desk moves slightly at standing height when in use. Retighten all screws and bolts, and adjust leveling feet to make sure table stands level.
HOT is displayed on the panel.	The desk motors are overheated. Stop using the desk for 10 minutes and let them cool down.
Desk legs are noisy.	It is normal that desk makes noise when the stages move past each other. Apply silicon-based lubricant if it is unusually noisy.

Error Codes

Code	Action
 ---	Re-initialize the system.
 E-0 Control system malfunction	Please contact customer service.
 E-1 Voltage irregularity	Please contact customer service.
 E-3 Over-load protection activated	Remove weight from desk top until error clears.
 E-4 Overheat or power supply failure	Let desk cool down for 10 minutes before using again
 E-5 Irregular Hall signal from Motor A	Unplug and re-plug power cord, and reset the desk. If problem persists, switch motor cables at the control box and re-initialize.
 E-6 Motor A malfunction	Unplug and re-plug power cord, and re-initialize. If problem persists, switch motor cables at the control box and re-initialize.
 E-7 Motor B malfunction	Unplug and re-plug power cord, and re-initialize. If problem persists, switch motor cables at the control box and re-initialize.
 E-8 Lose connection or, irregular Hall signal	Check all cables and make sure they're connected. Switch motor cables at the control box and re-initialize.
 E-9 Irregular Hall signal on Motor B	Unplug and re-plug power cord, and re-initialize. If problem persists, switch motor cables at the control box and re-initialize.
 E-11 Anti-collision protection activated	Remove objects from beneath the desk and re-initialize system.

Warranty Information

7-Year Non-Electronic Component Warranty

Seville Classics, Inc. warrants to the original retail purchaser that if this product proves to be defective in material or workmanship, we will replace the affected **non-electronic part(s)** for a period of **seven years** on Seville Classics AIRLIFT® Tempered Glass Electric Standing Desk with Dual USB Charger from the date of original purchase.

2-Year Electronic Component Warranty

Seville Classics, Inc. warrants to the original retail purchaser that if this product proves to be defective in material or workmanship we will replace the affected **electronic part(s)** for a period of **two years** on Seville Classics AIRLIFT® Tempered Glass Electric Standing Desk with Dual USB Charger from the date of original purchase.

Except for the express warranty set forth above and except to the extent prohibited by applicable law, Seville Classics grants no other express or implied warranties with respect to the product, its fitness for any purpose, its quality, or its merchantability. The liability of Seville Classics under the warranty shall be limited to the amount paid by the customer for the product. Seville Classics shall not be liable for any loss of use of the product, or other incidental or consequential costs, expenses or damages incurred by the customer or other user.

This warranty covers only the Seville Classics AIRLIFT® Tempered Glass Electric Standing Desk with Dual USB Charger sold in the United States of America and Canada. Some states do not allow the exclusion or limitations of implied warranties or consequential damages, so the above limitations or exclusions may not apply to you. This warranty gives you specific legal rights, and you may also have other rights that vary from state to state.

During the applicable warranty period, Seville Classics, at its option, will either refund the original purchase price or replace the affected part(s) with comparable part(s) when the affected part(s) are returned, postage prepaid, to the address below:

Seville Classics Inc.
19401 South Harborage Way
Torrance, CA 90501 – 1322 U.S.A.

To obtain service under this warranty, you must:

1. Register your product at www.SevilleClassics.com/warranty
2. Contact our customer service at (800) 323-5565 or email support@sevilleclassics.com;
3. Return the affected part(s) postage prepaid to Seville Classics pursuant to our customer service representative; and
4. Include in the package:
 - A. A copy of the original bill of sale, your charge or credit receipt, or other satisfactory proof of the date of the original purchase date of the product, and the price paid; and
 - B. A short detailed description of the problem, the name and phone number of the contact person.

Specifications

Width: **47.6"**

Depth: **24"**

Maximum Height: **47"**

Minimum Height: **29"**

Footprint: **45.7" W x 23.75" D**

Lifting Speed: **1.5" per second**

Base Weight: **82.9 lbs.**

Customer Service Information

Telephone: (800) 323-5565

Fax: (310) 533-3899

Hours: 8:30 AM – 4:30 PM (PST)

Email: Support@SevilleClassics.com

Homepage: www.SevilleClassics.com