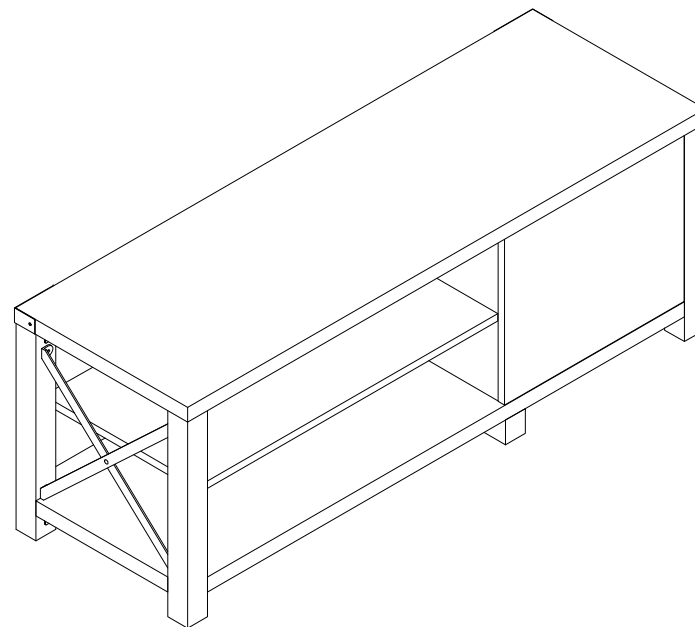
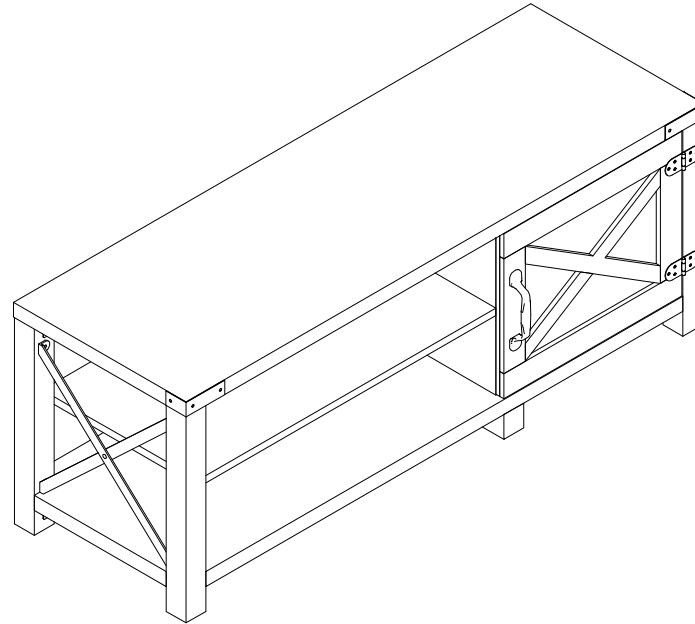
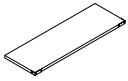
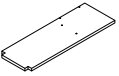
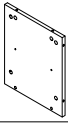
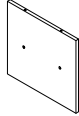
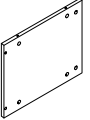
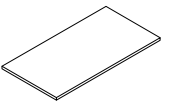
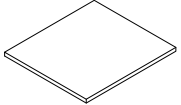
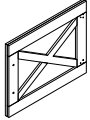
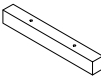






User Manual  
ASSEMBLY INSTRUCTION  
CD-078






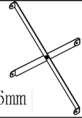
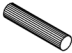


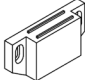







## Parts List

NO.	Drawing	Dimension	QTY
1		1200*400*30mm	1
2		1152*398*30mm	1
3		366*306*15mm	1
4		335*364*15mm	1
5		416*335*15mm	1
6		691*362*15mm	1

NO.	Drawing	Dimension	QTY
7		398*362*15mm	1
8		413*331*18mm	1
9		398*46*50mm	1
10		415*46*46mm	1
11		415*46*46mm	1
12		415*46*46mm	1
13		415*46*46mm	1

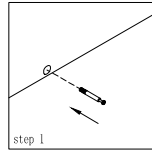
# Hardware Fitting

NO.	Drawing	QTY
A		26
B		26
C		4
D	 6*6mm	2
E	 3.5*14mm	28
F	 300*306mm	1
G	 8*40mm	2

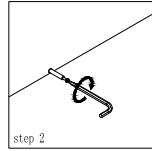
NO.	Drawing	QTY
H		1
I	 6*55mm	2
J	 5mm	4
K		2
L	 3.5*14mm	12
M		1
N	 4*20mm	2
		1



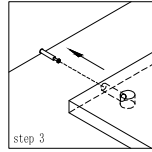
# Cam Coupling Using Methods



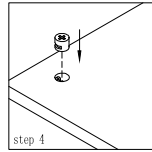
Step1.  
Connect the cam coupling A as directed in the assembly instructions using hand.



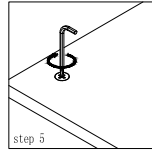
Step2.  
Screw the cam coupling A as directed in the assembly instructions.



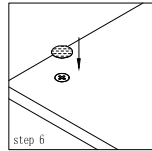
Step3.  
Push the cam coupling A into the entry hole.



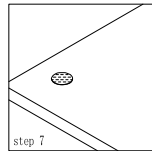
Step4.  
Insert the cam coupling B as shown in the instructions.



Step5.  
Turn the cam coupling B clockwise with a screwdriver

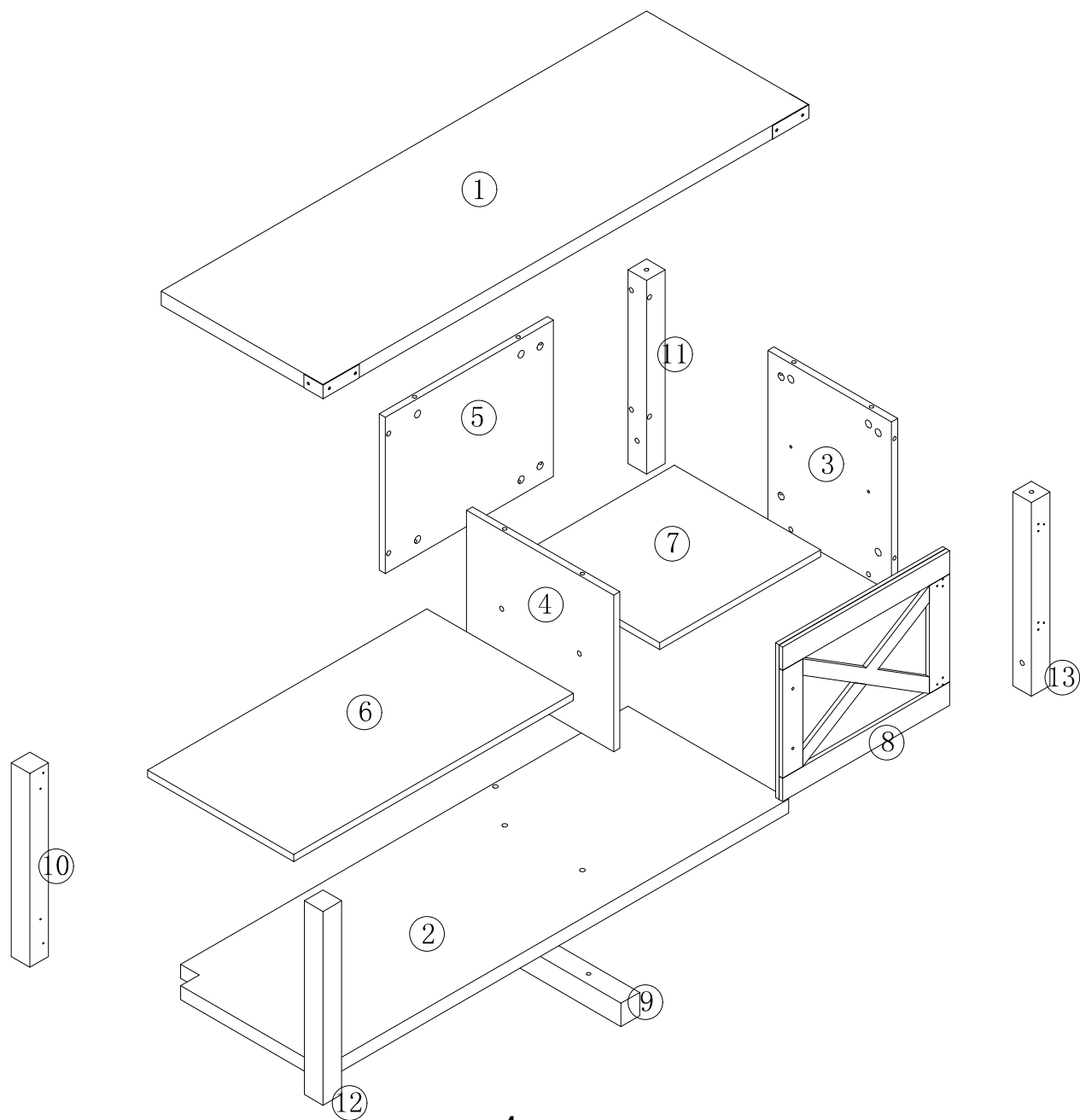


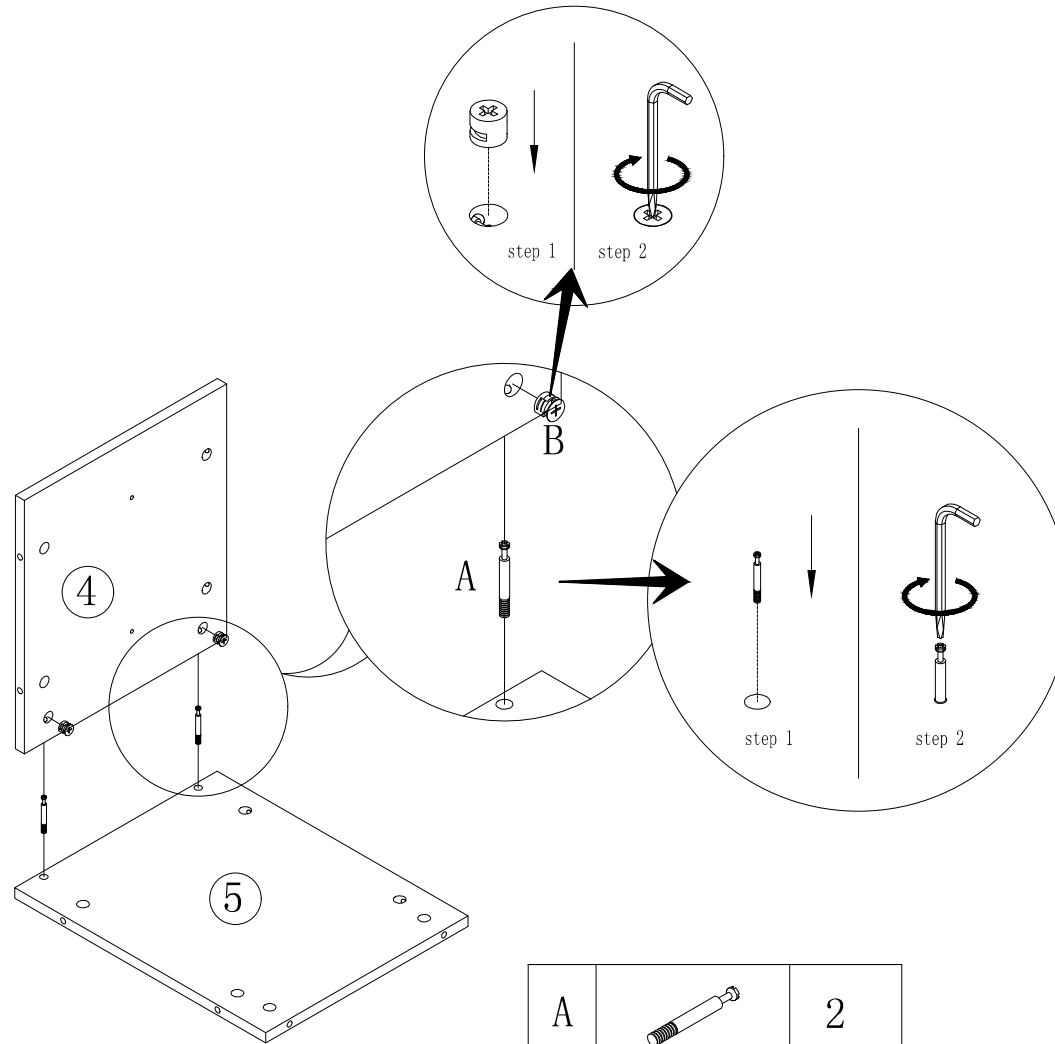
Step6.  
Put on Beautycam.

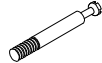



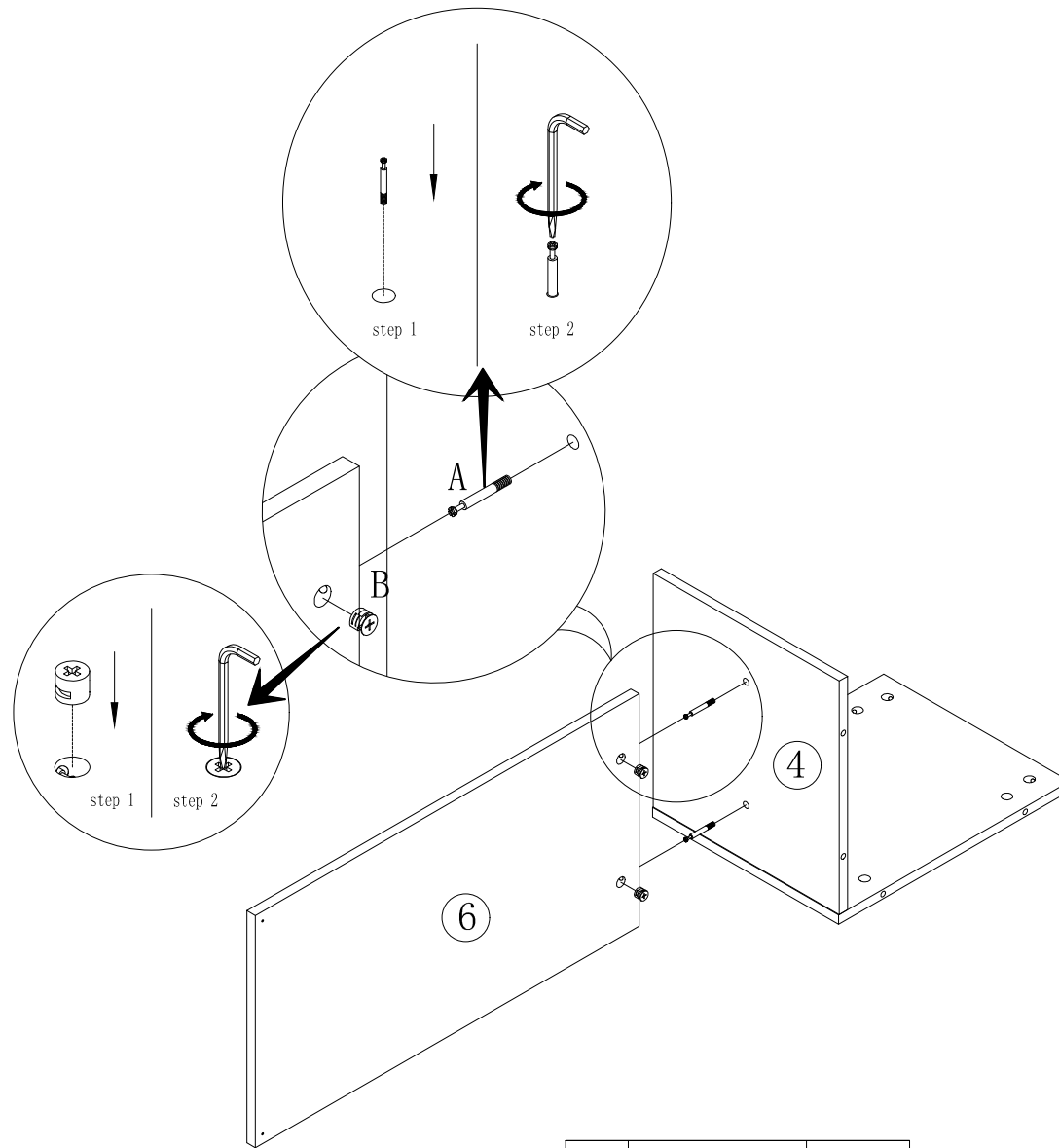
Step7.  
Finished.

You should feel a click when the camlock is locked in place.  
The joint is now secure.

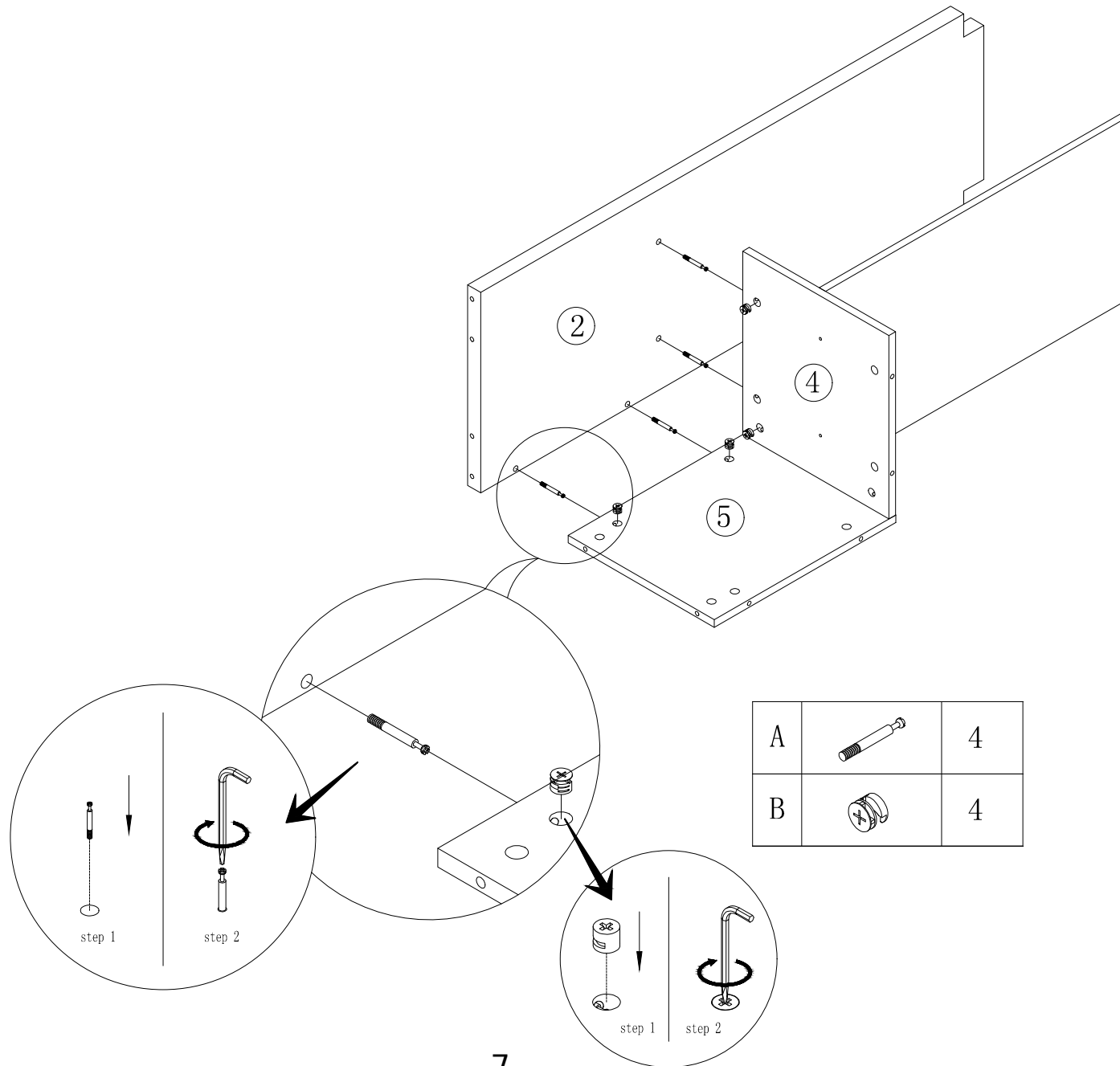




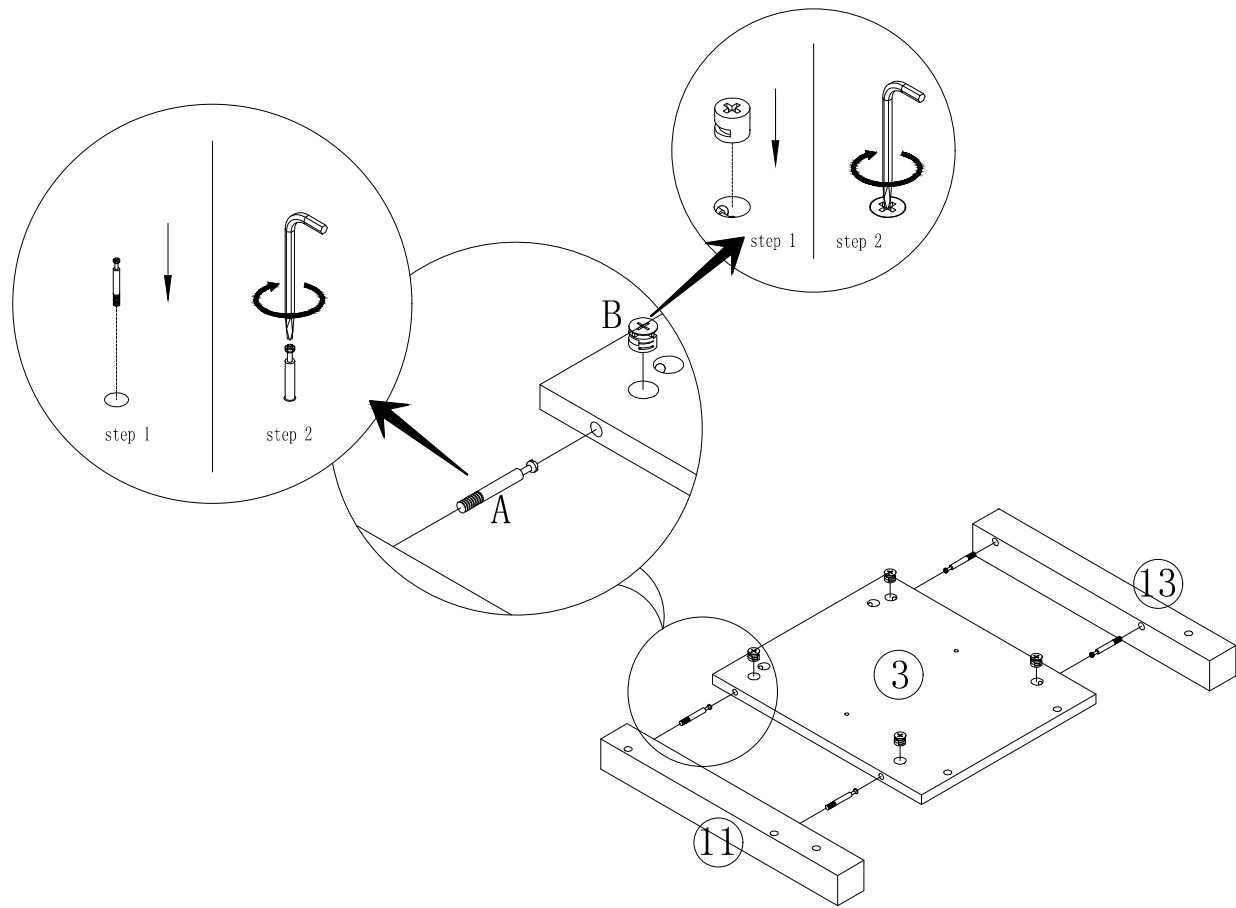
A		2
B		2





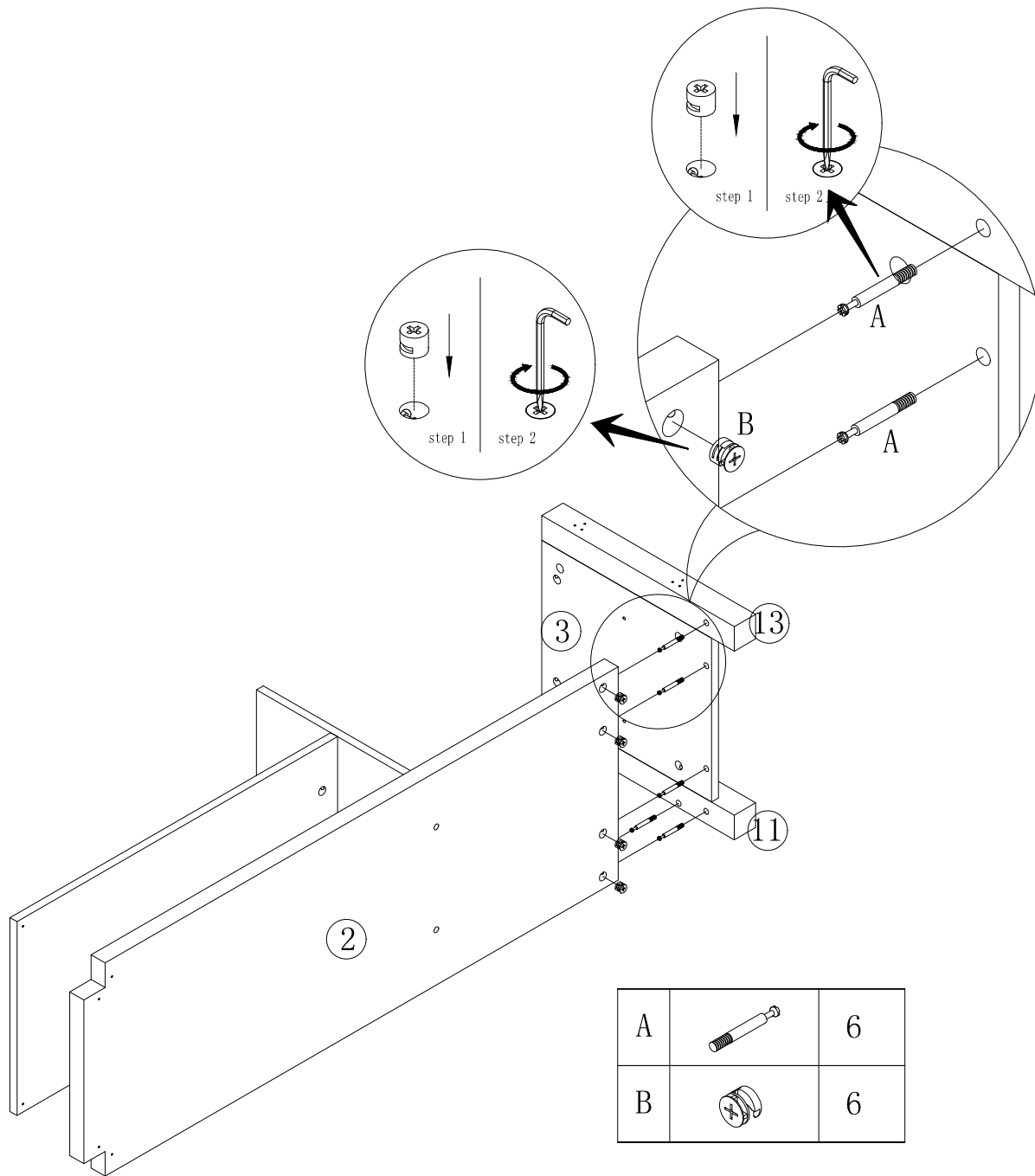
A		2
B		2

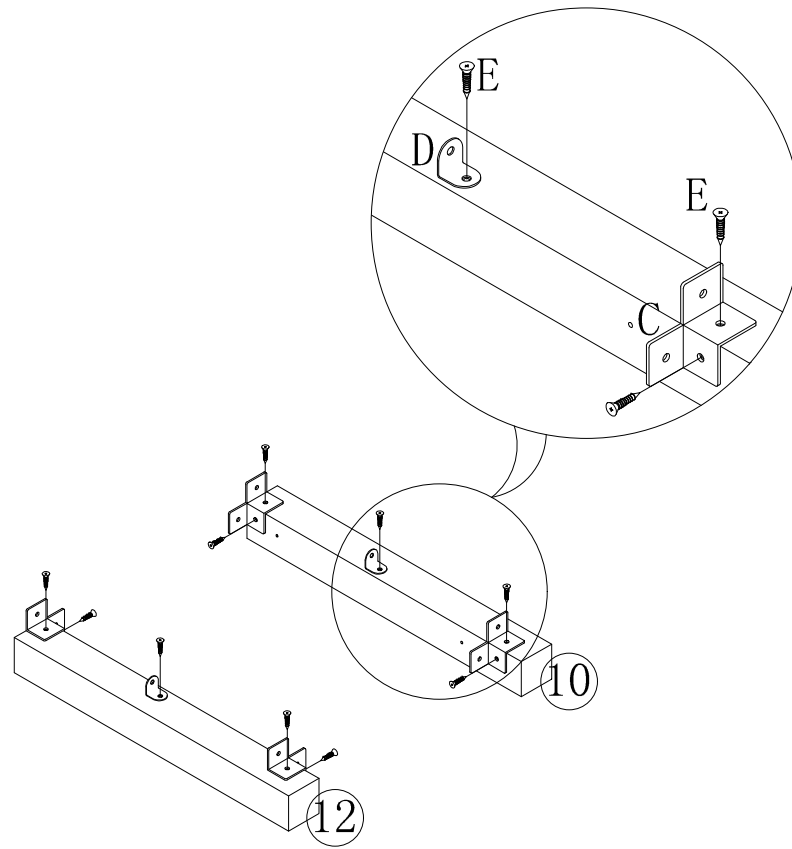


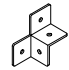




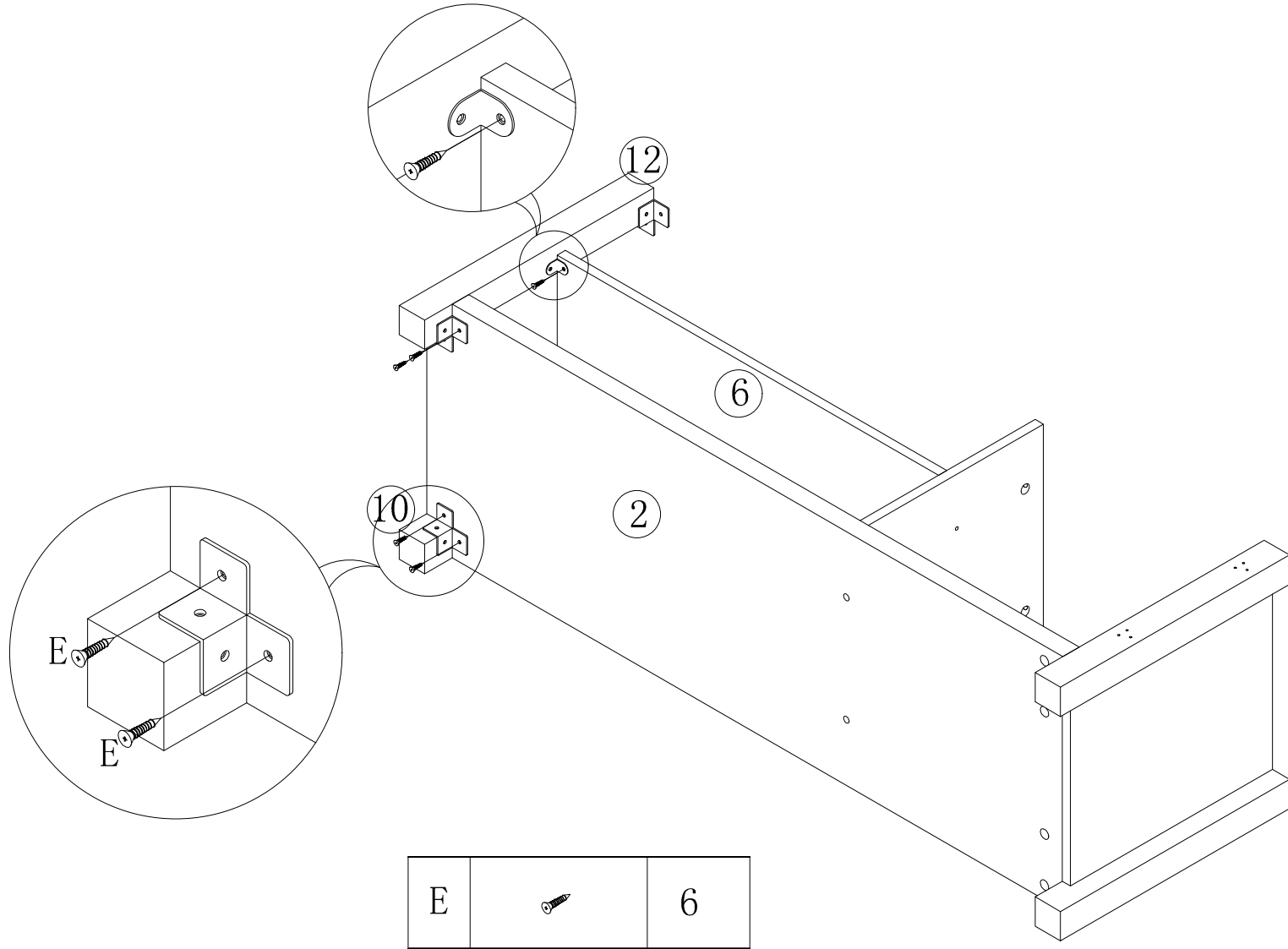


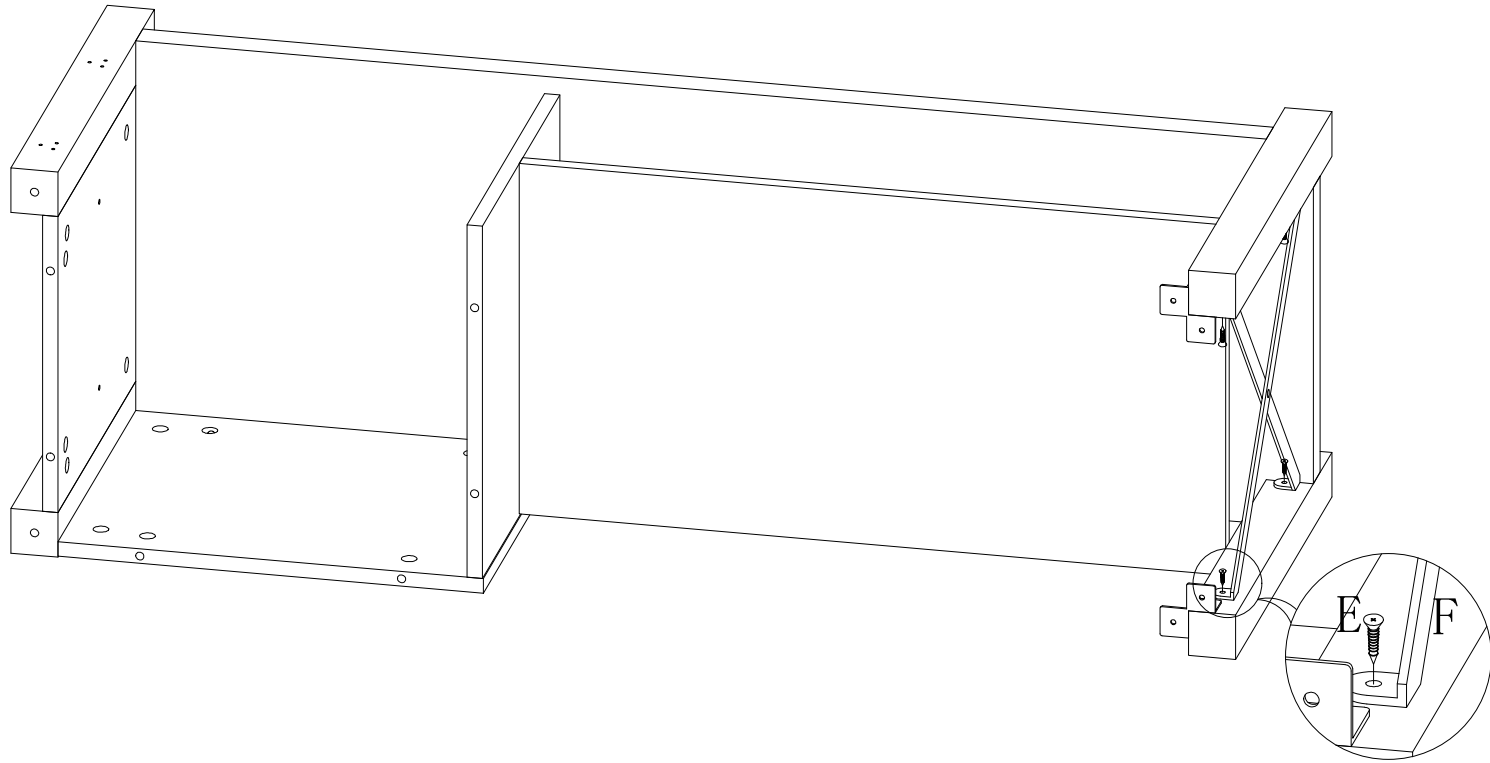
A		4
B		4


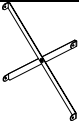


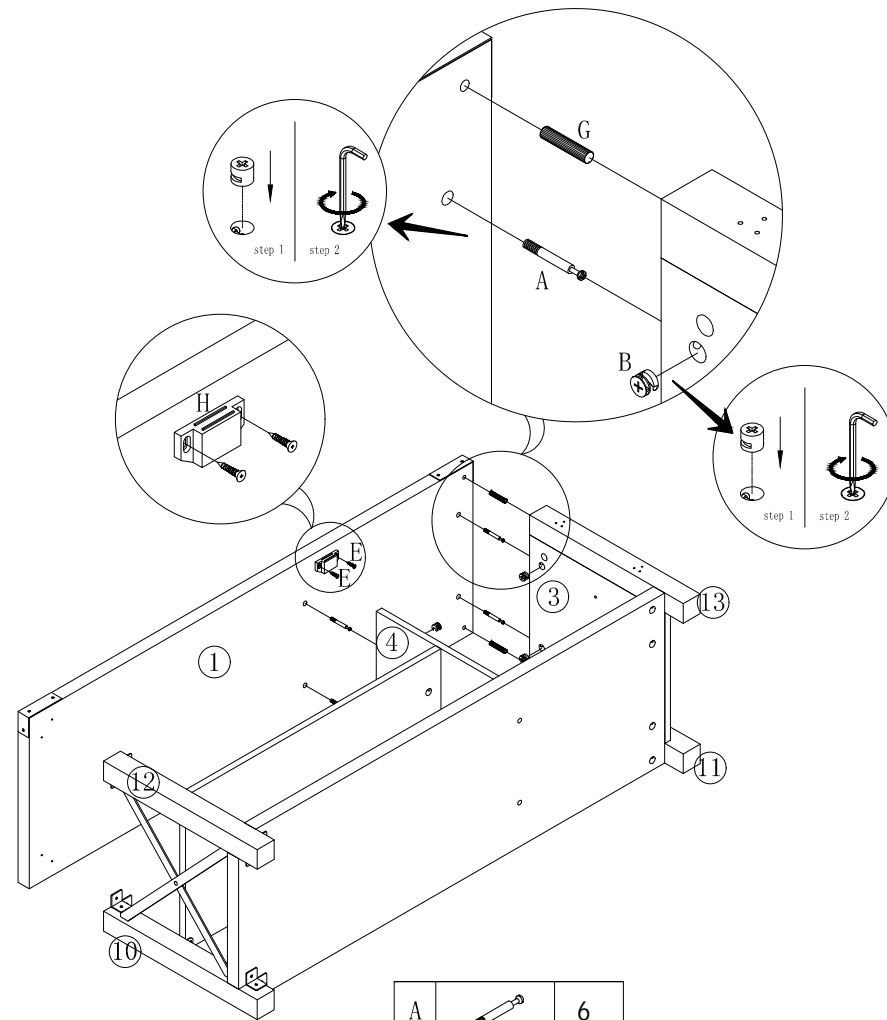







C		4
D		2
E		10

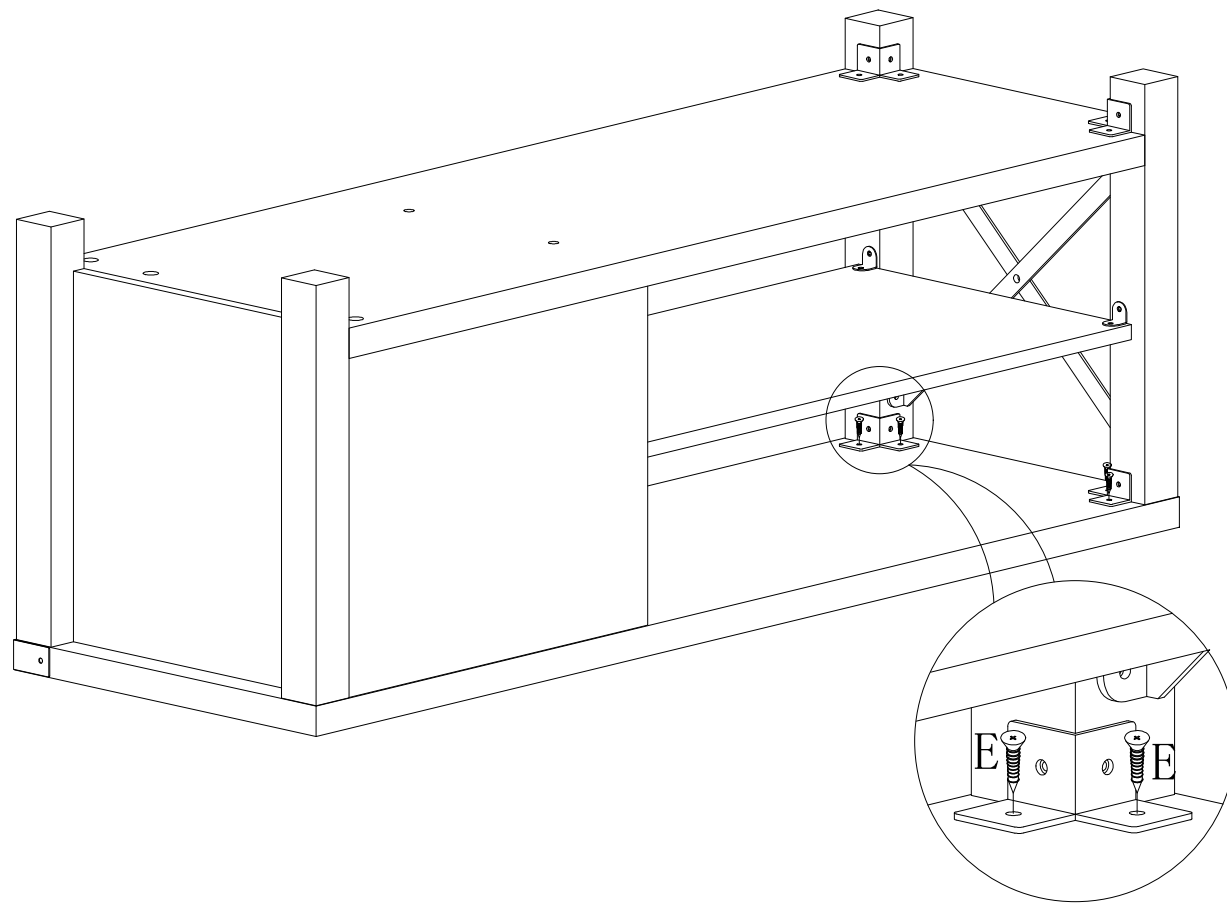





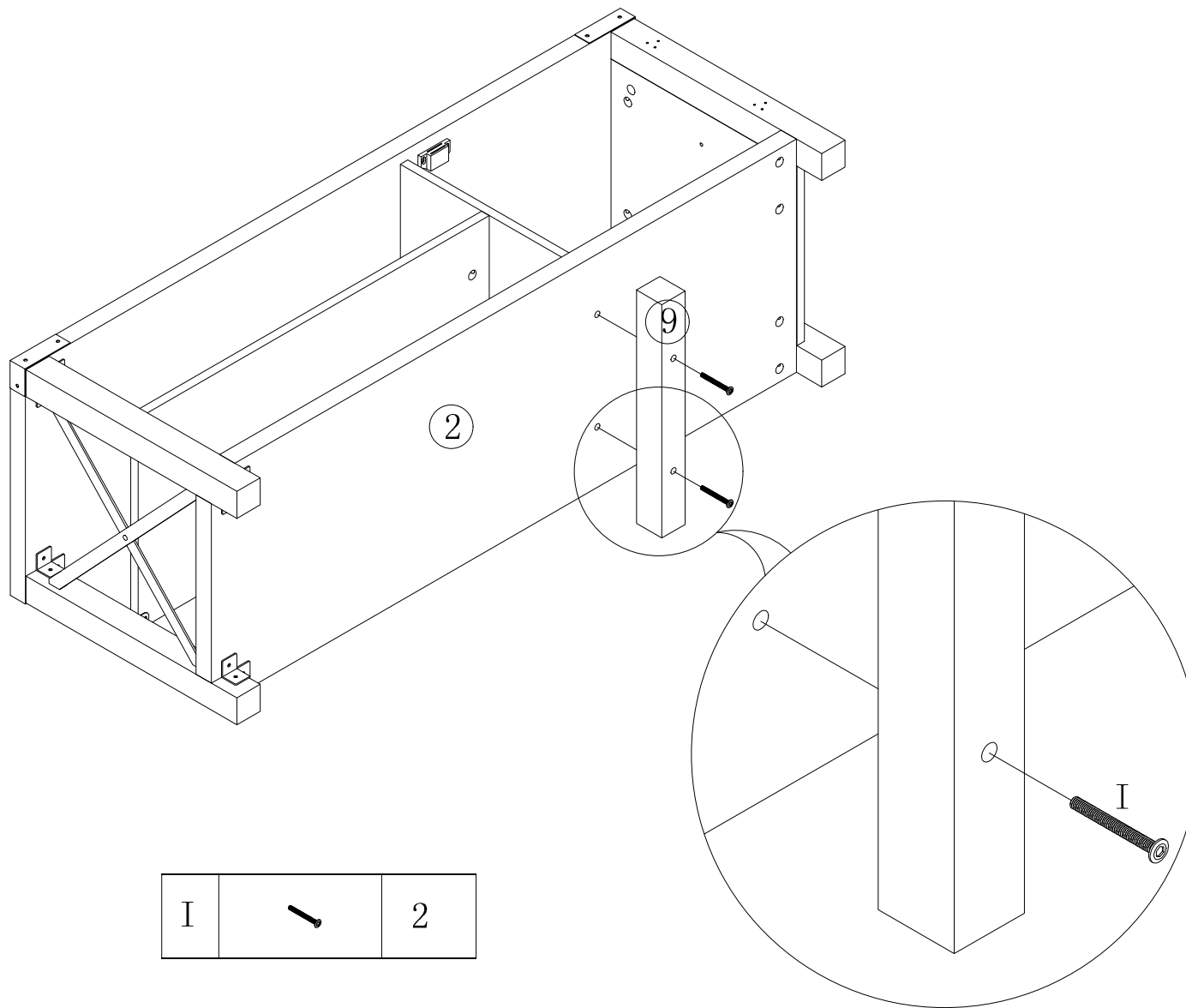
E		4
F		1




A		6
B		6
G		2
H		1
E		2

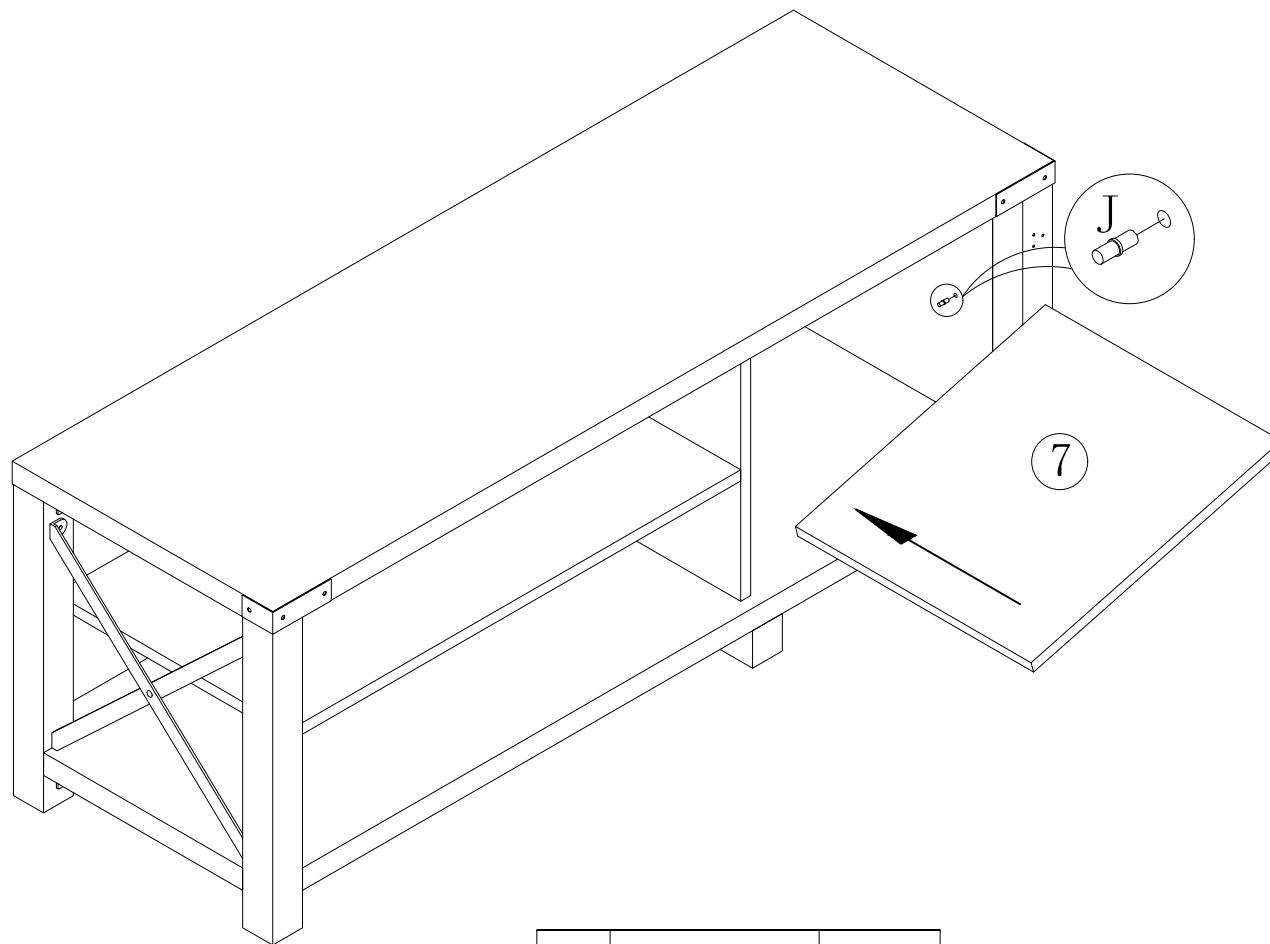



E		4
---	---	---

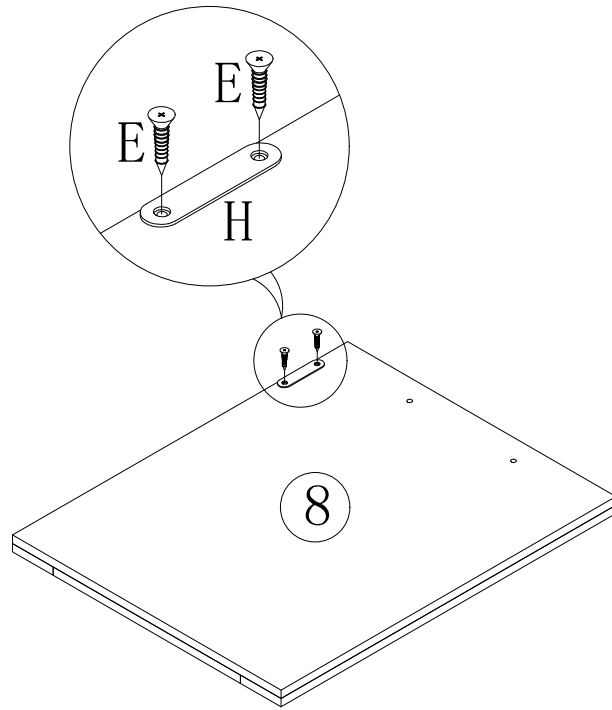


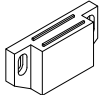

I		2
---	---	---

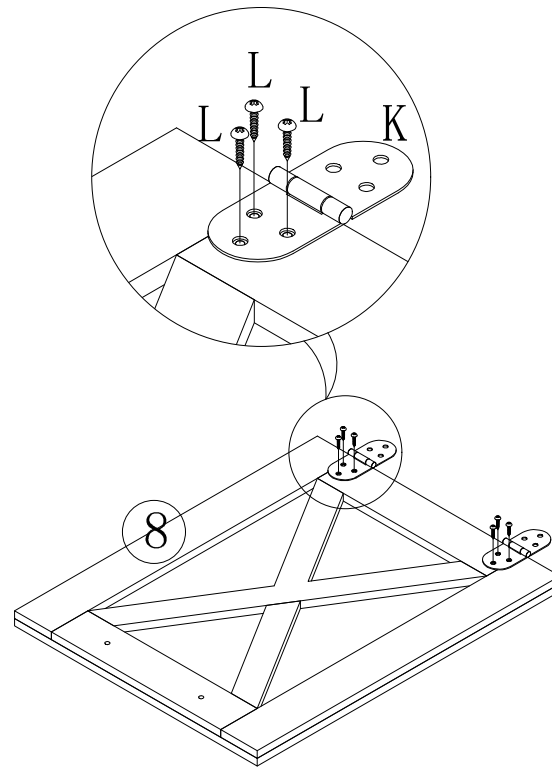






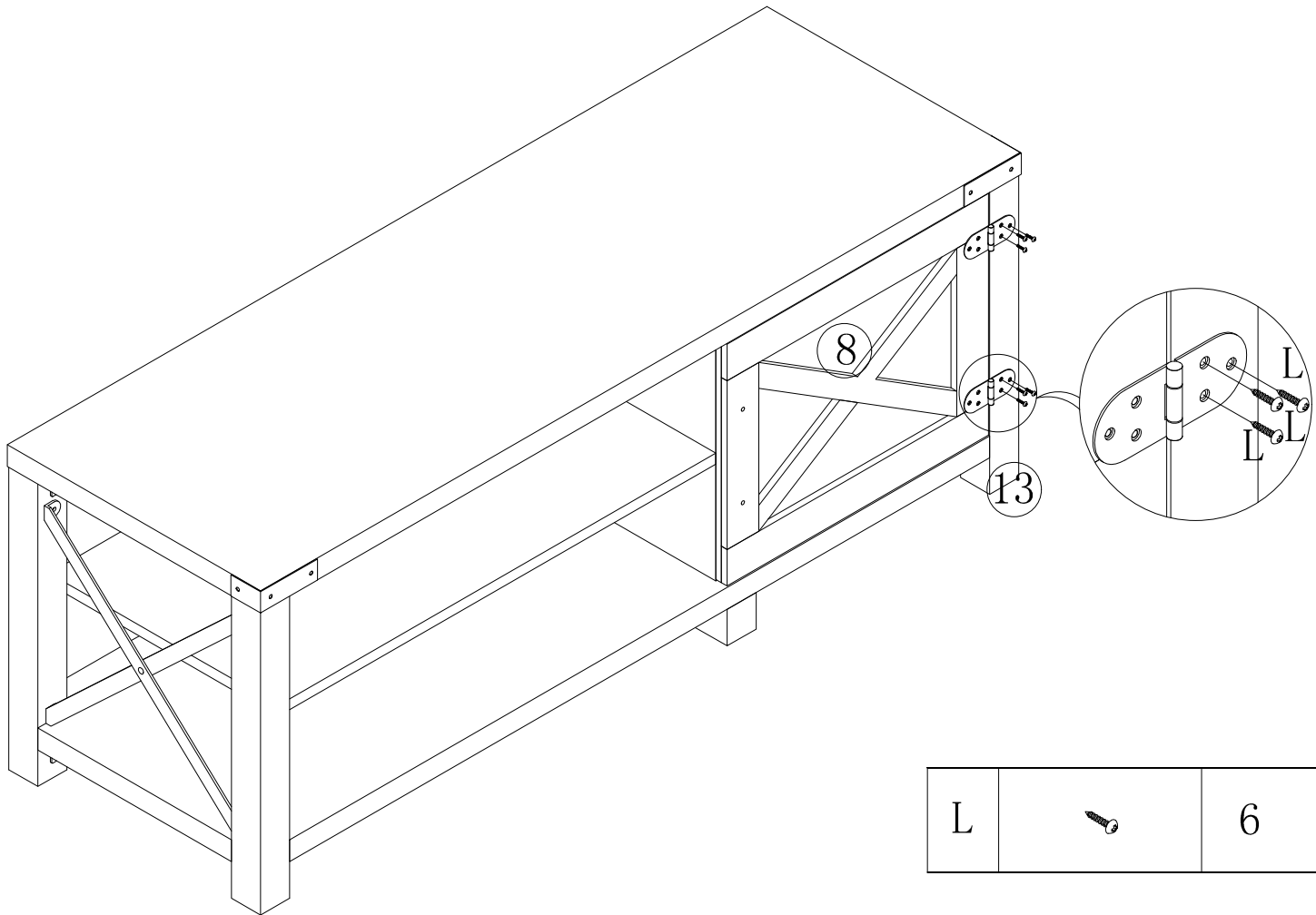
J		4
---	---	---

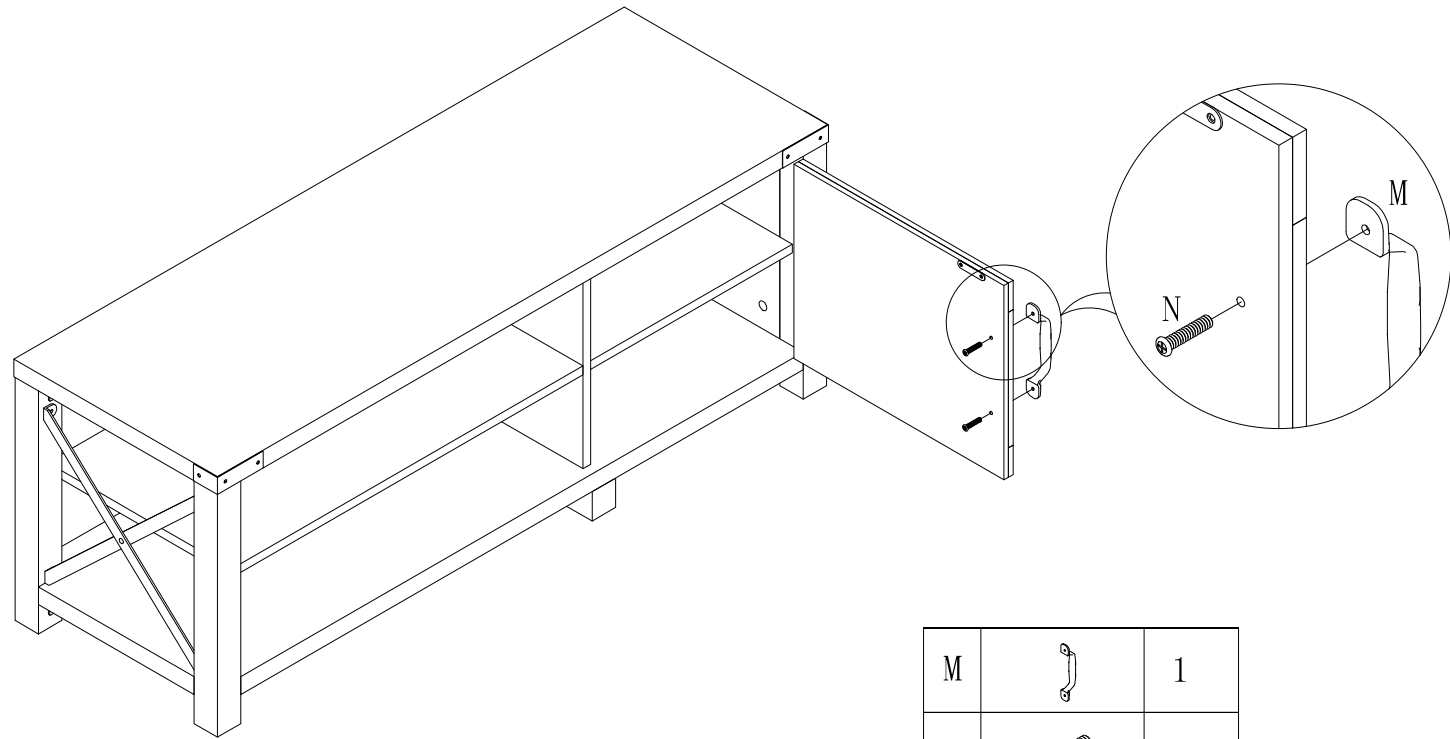




H		1
E		2



K		2
L		6





M		1
N		2

