

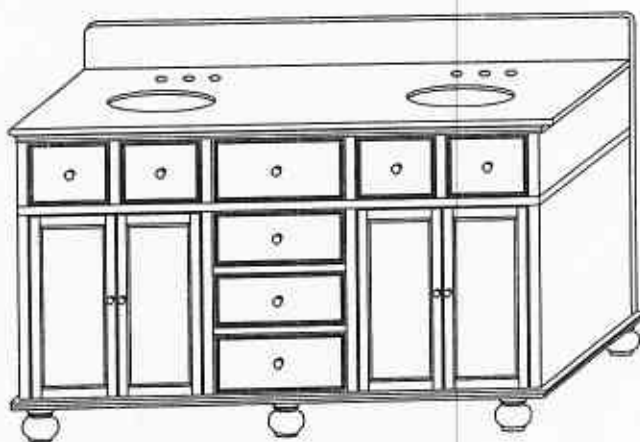
Home Decorators

— Collection —

BF-21712 HAMPTON BAY COLLECTION DOUBLE SINK CABINET

ASSEMBLY INSTRUCTIONS

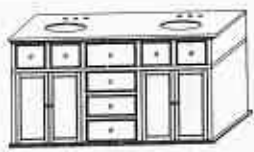







Made In China

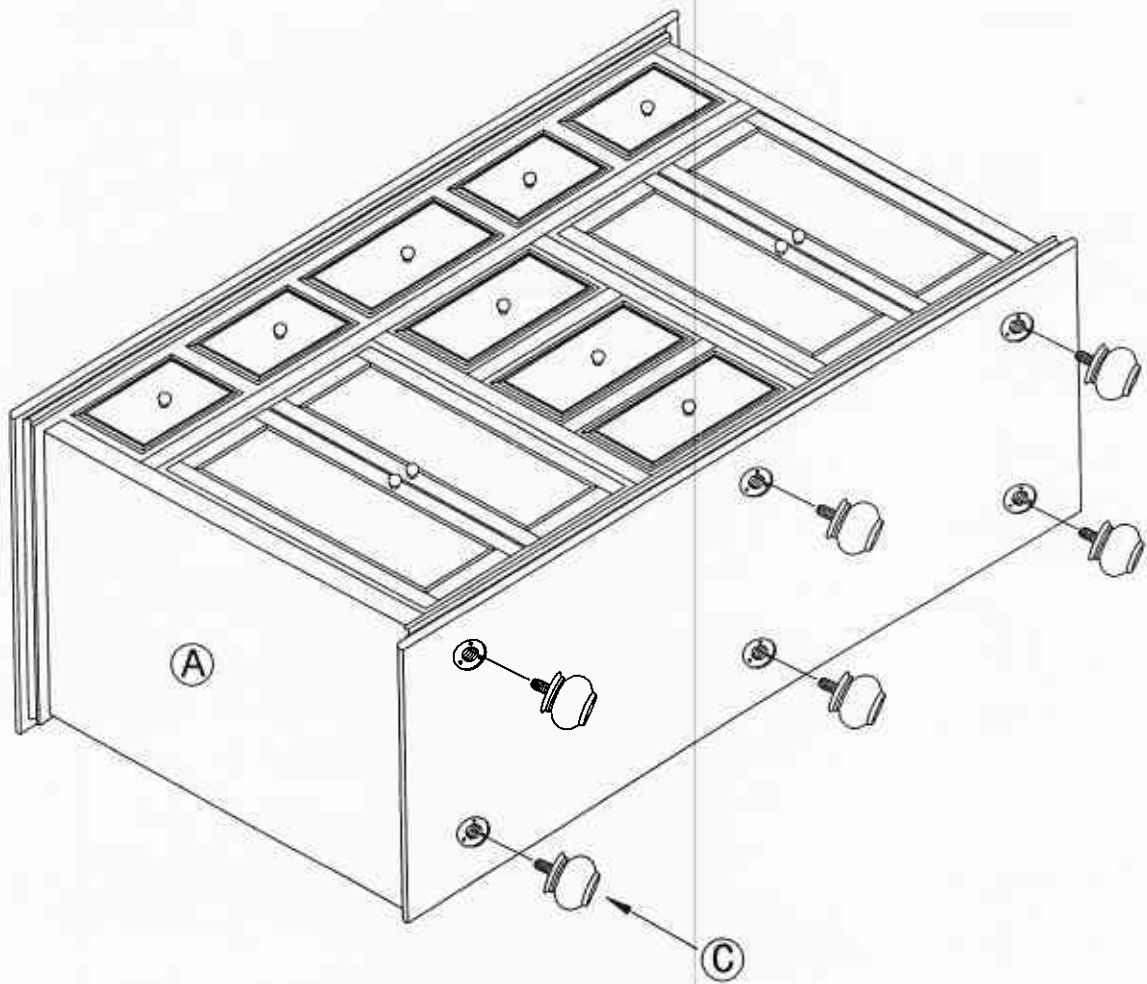


Thank you for purchasing this quality product. Be sure to check all packaging material carefully for small parts, which may have loose inside the carton during shipment. Once unpacked, compare all parts and hardware to the provided list to be sure all parts are present. If any parts or hardware are missing or damaged, please phone, e-mail or fax our Customer service Department. For speedy service, please provide your order number, item number and part number/letter of the part needed.

NOTE: Upon opening thoroughly clean all woods surfaces to remove dust and dirt that may have settled onto finish during shipment. In order to prevent damage during assembly, please assemble this item with at least four people.

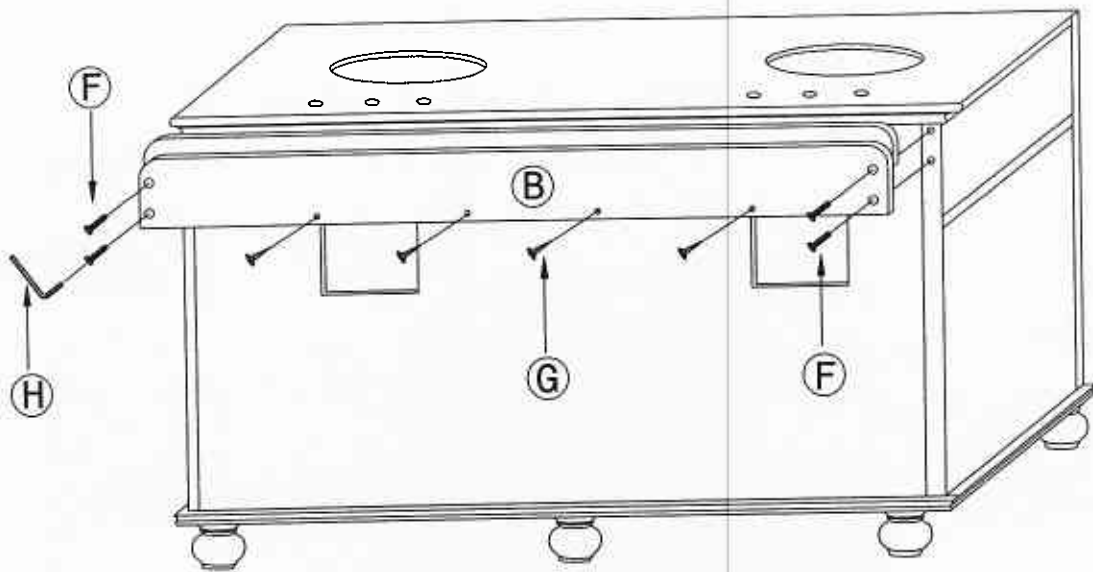
IMPORTANT NOTE: Follow instructions listed below in proper sequence as numbered to assure fast, easy and correct assembly.

| PARTS LIST | | |
|---|---|--|
| <p>A</p>  <p>MAIN PART-1PC</p> | <p>B</p>  <p>ADORN PANEL-1PC</p> | <p>C</p>  <p>FEETS-6PCS</p> |
| <p>D</p>  <p>SHELF-2PCS</p> | <p>E</p>  <p>SHELF SUPPORTS-8PCS</p> | <p>F</p>  <p>BOLTS-4PCS</p> |
| <p>G</p>  <p>SCREWS-4PCS</p> | <p>H</p>  <p>ALLEN WRENCH-1PC</p> | <p>I</p> |



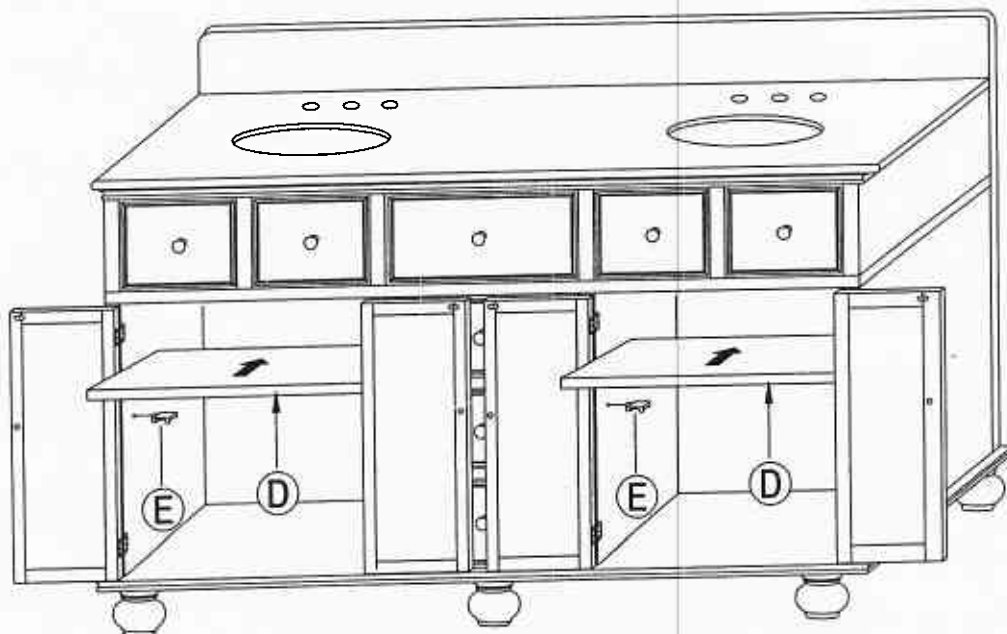
1) ASSEMBLE THE FEETS(C).

- ROTATE THE 6 FEETS(C) INTO THE HOLES ON BOTTOM PANEL.



2) .ASSEMBLE ADORN PANEL (B) .

- ATTACH ADORN PANEL (B) USING 4 BOLTS (F) AND SCREWS (G) .



3) .ASSEMBLE THE SHELF (C) .

- INSERT THE 8 SHELF SUPPORTS (E) INTO HOLES IN MAIN PART (A) .
- FINALLY, PUT THE 2 SHELF (D) ONTO THE SHELF SUPPORTS (E) .