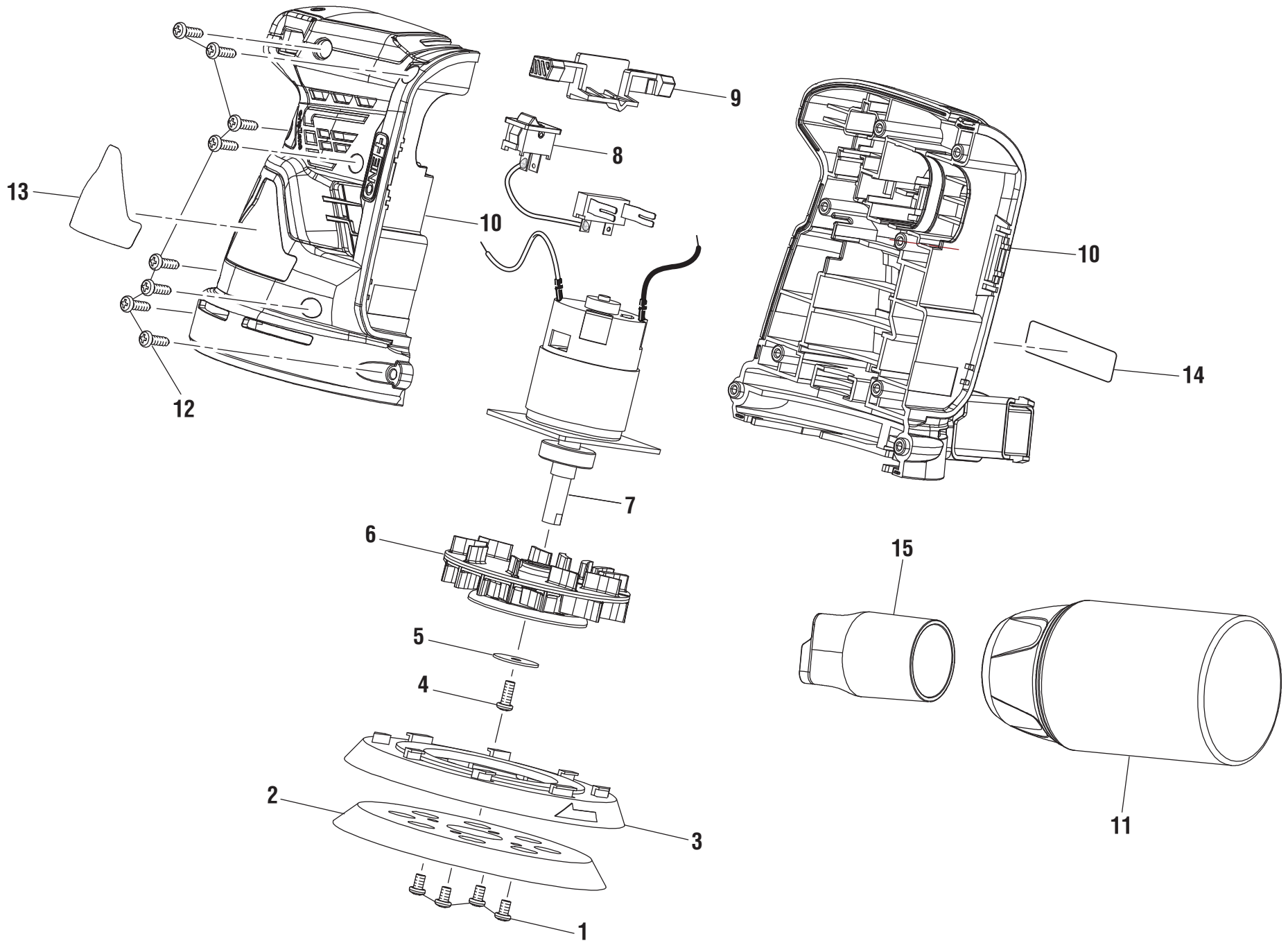


**RYOBI**  
**RANDOM ORBIT SANDER**  
**Model No. P411**  
**Repair Sheet**

RYOBI RANDOM ORBIT SANDER – MODEL NO. P411



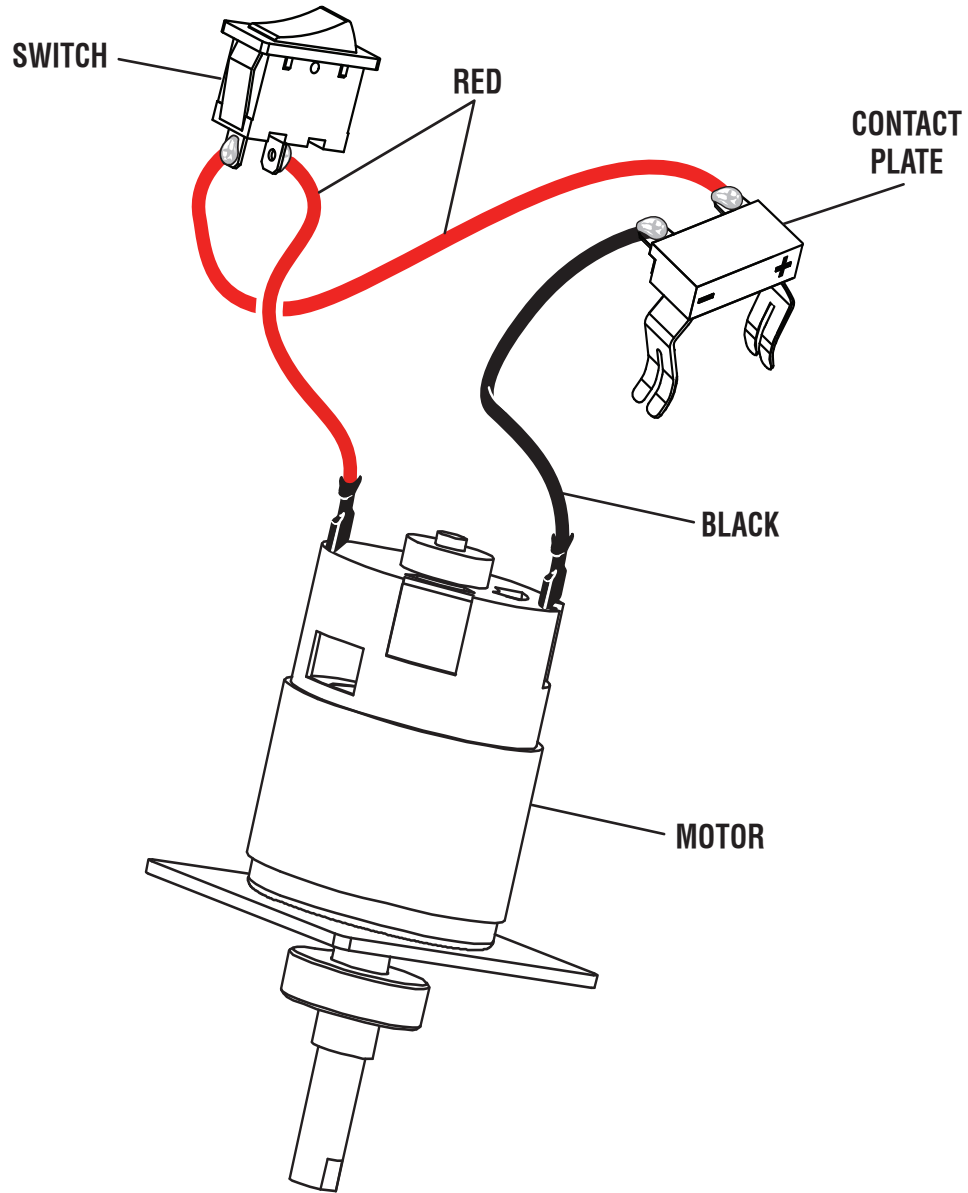
## RYOBI RANDOM ORBIT SANDER – MODEL NO. P411

The model number will be found on a label attached to the housing. Always mention the model number in all correspondence regarding your **SANDER** or when ordering replacement parts.

### PARTS LIST

KEY NO.	PART NUMBER	DESCRIPTION	QTY	KEY NO.	PART NUMBER	DESCRIPTION	QTY
1	030157001019	Screw (M5 x 6 mm).....	4	12	039065005043	Screw (M4 x 16 mm).....	8
2	030157001018	Pad Assembly.....	1	13	941121455	Data Label.....	1
3	030157001017	Rubber Brake.....	1	14	941002195	Logo Label.....	1
4	039143013001	Screw (M4 x 13 mm).....	1	15	019657001004	Dust Exhaust.....	1
5	030157001014	Washer (OD18 x ID4.5 x 1.2t).....	1	<b>Not Shown:</b>			
6	019657001104	Fan and Bearing Cap w/Bearing Assembly.....	1		039143005007	Sandpaper (80 Grit)	
7	019657001103	Motor Assembly.....	1		039143005008	Sandpaper (120 Grit)	
8	019657001105	Switch and Contact Plate Assembly.....	1		039143005009	Sandpaper (220 Grit)	
9	019657001005	Switch Trigger.....	1		991000386	Operator's Manual	
10	019657001101	Housing Assembly.....	1		6-4-15		
11	019657001016	Dust Bag.....	1		(Rev:01)		

RYOBI RANDOM ORBIT SANDER – MODEL NO. P411



WIRING DIAGRAM