

# SERVICE MANUAL FOR VENTILATING FAN WITH SHUTTER APPLICATING AND SPECIFICATION

This fan is suitable for warehouse, kitchens, laboratory and other public places for changing the air. This fan has many distinctive features, such as large air-delivery, low noisy, energy-saving, safe in operation, elegant in appearance and excellent quality etc.

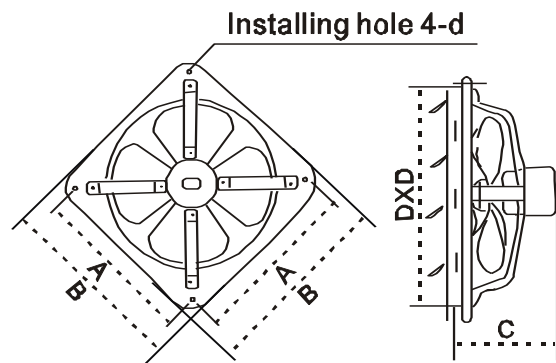
All the fans must be tested strictly before being sent out of factory.

## TECHNICAL DATA

Size mm	Voltage V	Frequency Hz	Input Power W	Air Delivery m <sup>3</sup> /min	Phase	Speed r.p.m
200	120	60	30	7.38	Single	1400
250	120	60	40	11.4	Single	1400
300	120	60	55	16.3	Single	1400
350	120	60	70	25	Single	1400
400	120	60	150	48	Single	1400
400	120	60	150	48	Three	1400
450	120	60	300	60	Single	1400
450	120	60	300	60	Three	1400
500	120	60	350	95	Single	1400
500	120	60	350	95	Three	1400

## INSTALLING DIMENTION mm

Size	A	B	C	D × D	D
200	255	270	198.5	220 × 220	12
250	290	330	204	270 × 270	12
300	365	400	200	340 × 340	12
350	400	430	230	370 × 370	12
400	460	485	318	425 × 425	12
450	505	535	305	475 × 475	15
500	560	595	300	520 × 520	15



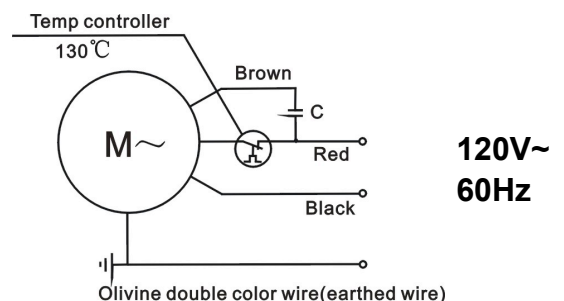
## OPERATION INSTRUCTION

- (1) Before using, must check the working voltage and frequency with the local electrical power.
- (2) Before using, have to make the blades rotating by hands to be assuring of no shaping and no colliding with the frame.
- (3) If find some noise or peculiar sonnies in the working process, it must be stopped to exam.

## PRECAUTION

- (1) The yellow and green wires are the earthen wire.
- (2) It should be cleaned per year.
- (3) Should be store in the clean and dry places.

## INDUSTRIAL FAN W / SHUTTER CONNECTION CHART



## WARNIHG

1. If the supply cord is damaged, it must be replaced by the manufacturer, its service agent or similarly qualified persons in order to avoid a hazard.
- 2 The product is not for people who are physically weak, slow to react or mentally impaired (including children) to use, unless there are guardian to instruct and help. Children must be supervised to use the product, ensuring that they do not play with the appliance.