



Assembly Instruction

wedi Fundo *Riolito/Riofino*

Shower System with integrated linear drain

For installation instructions in
Spanish or French please go to
www.wedicorp.com

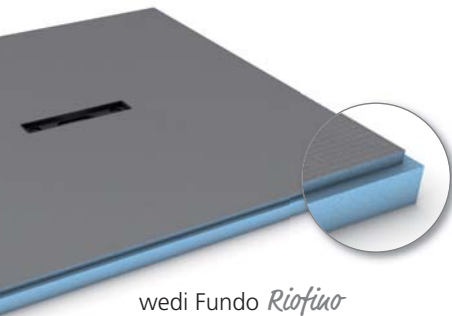


wedi® Fundo Shower System-Riolito and Riofino

wedi Fundo *Riolito*



wedi Fundo *Riofino*



Overview & General Product Description of the wedi Fundo Shower Systems

All wedi® Waterproof Shower Systems including point and linear drain models offer reliable, cost-efficient solutions for constructing 100% waterproof and mold proof showers. The product systems are entirely waterproof due to its XPS extruded polystyrene foam core. These systems are easy and clean to install due to its high prefabrication level. They open up a whole new world of design possibilities for showers, wet areas and baths when customized to fit your jobsite requirements.

wedi Shower Systems blend the traditional values of design flexibility and robustness as previously only enjoyed with mortar bed installations, while offering added values that come with state-of-the-art material and manufacturing technologies. These added values come in form of many performance advantages. Especially over traditional mortar bed installations or over other currently known methods for building showers such as those using sheet – or liquid waterproofing membranes in an attempt to manage water exposure. The most unique advantage is the complete and natural core waterproofness of the wedi product and its entire assembly. Every detail of the assembly is part of the wedi waterproofing approach: even down to the factory integrated drain parts. The concept of the wedi Fundo Shower System's water management describes a true "water out" performance. Neither products nor the assembly of the wedi Fundo shower system is subjected to the risks so commonly found in other methods of shower installation. When installing wedi Fundo Shower Systems in combination with wedi building panels, the proprietary wedi joint sealant and any of our curbs, niches or seats accessories, you can eliminate the following worries altogether:

- No overlapping sheet waterproofing seams with just thinset in between
- No risk of forming pinholes as with installation of very thin liquid membranes
- No weepholes and clogging as with liner installations
- No liner cracks due to aging or exposure to elements
- No risky liner seams in larger size showers nor any risky corner liner tapes
- No mold or discoloration worries as with absorbing and permanently wet mortar beds

These added values and its detail perfections eliminate the technical concerns in shower installations. But this is not where wedi shower systems stop offering its added values: The wedi Fundo shower system adds to your productivity and enables you to provide real value to your customers: Our wedi Fundo Shower systems reduce the installation time for just the shower floor from a 2 – 3 day process (includes drying times) to only 30 minutes when compared to traditional methods built with pre slope, vinyl liner and final mortar bed. wedi helps you to turn showers into service quicker, cleaner, safer. The exact and consistently shaped slope fields support perfection in tile setting and design. The cement based resin surface coatings on our products provide a great bond surface for any tile, stone and many other materials. Using any cement based thinset adhesives in installation. The insulation properties of the extruded foam core of our wedi systems keep the tile warmer on the floor and add to better insulation of the wall. And all this under one warranty for the entire shower from floor to wall.

The wedi Fundo Riolito & Riofino Linear Drain Shower Systems

wedi's Fundo Riolito and Fundo Riofino linear drain shower bases feature the only fully sealed and factory integrated waterproof drain assembly available in the market of customizable shower floor systems with linear drainage . They are available in two design options: The first option includes models featuring a level shower base perimeter provided by a 4-way slope. These models provide for a perfect installation when recessing the base into a subfloor where a flush to the floor entry is required. The second option includes a model featuring a true one way slope towards the linear drain.

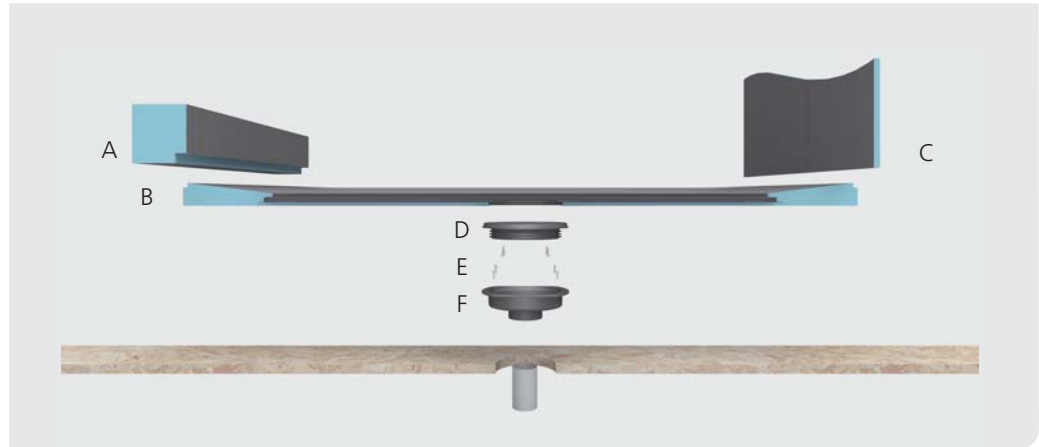
The large, tileable and perfectly sloped areas around the linear drain make the tile installation clean and professional. These unique prefabricated and directly tileable units allow water to drain away through a narrow gap between the cover plate and adjacent tiling. The Riolito and Riofino shower bases are available with three linear drain cover options including finished and tileable options. The covers can be adjusted in height to match your tile or stone. The systems come with helpful accessories such as spacers which are temporarily used in the drain channel to allow for a perfect finish of tile edges with drain trench.



Drain to Base Assembly

Legend

- A Curb
- B wedi Fundo Riolito/Riofino
- C Building Panel
- D Sealing collar
- E Screws
- F Drain body



Tools

- Bucket
- Notch Trowel
- Drill with Thinset Mixer
- Utility Knife
- Straight Edge/T Square 5 ft or longer
- Speed Square
- Caulk Gun
- Handsaw
- Flat Head Screwdriver
- Cordless Drill or Hammer
- Solid Putty Knife
- Paper Towels
- Level
- Circular Saw
- Saw Horse
- Tape Measure
- Permanent Marker
- Extension Cord for Powertools
- ABS or multipurpose pipe cement glue
- Inside PVC Pipe Cutter
- Shop vacuum cleaner

Before Installation

- Subfloor is sound, level and meets deflection criteria. Wooden or concrete structural substrates are dry and loadbearing. Steel framing is loadbearing.
- Floor joists not to exceed 16" o.c. Subfloor panels $\frac{3}{4}$ " T&G EGP or equivalent.
- If Shower base is to be installed floor level, make sure you build out a stable depression and deep enough to receive base + thin set
- 2" Floor pipe is cut 1 $\frac{1}{4}$ " below surface of subfloor.
- The cut out in the subfloor to receive the drain trap is made using the wedi supplied, oval shape template.
- 2" drain assembly below floor is stabilized and will not sink under water load
- Make sure wedi drain and 2" pipe is safely connected using ABS/PVC multi use or ABS cement. wedi's drain is made of ABS.
- Only wedi products (wedi sealant, wedi fasteners, wedi building panel, wedi curb, wedi ramp) are used for wedi Fundo Riolito/Riofino assembly.
- Installer has been instructed by wedi staff or has been informed about proper wedi assembly steps through wedi installation brochure and video.
- Have 2 x 4 blocking installed vertically between studs along the bottom perimeter of framing to back the bottom of wedi wall panels
- wedi shower bases can be cut to size using a skilsaw. The Z notch channel must be remade. Remove all sawdust and contaminants from base and channels.

Installing wedi® Fundo Shower Base onto wooden or concrete floors



1 Cut the 2" pipe 1 1/4" below the top of the Subfloor. Use the oval shape cutting template to cut subfloor using a jigsaw to allow wedi drain trap to be inserted and connected to floor pipe using appropriate ABS compatible or multipurpose cement glue. Please also check cement glue compatibility to floor pipe material. The drain and trap have to be secured to the subfloor.



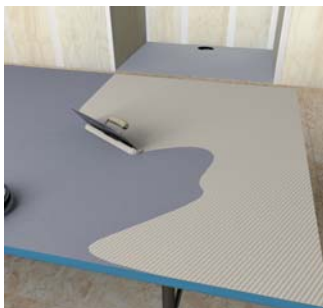
2 Assemble the drain unit following the instruction drawing. wedi's Riolito bases can be cut to size on all sides making drain positions close to the wall possible. Please do not cut into the linear drains plastic flange integrated into the coated foam part of the base. Once cut the 1/2" x 1/2" channels at the new base perimeter must be reestablished.



3 Glue and seal the wedi drain trap to the 2" pipe. Mount the sealing collar to the wedi Riolito/Riofino underside counterpart using a manual phillips screwdriver.



4 Apply a skim coat and finally a combed through bed of a thinset using modified thinset ANSI 118.4 and 1/4" x 1/4" notch trowel.



5 Trowel the thinset on the rear side of the Fundo again using a 1/4" x 1/4" notch trowel.



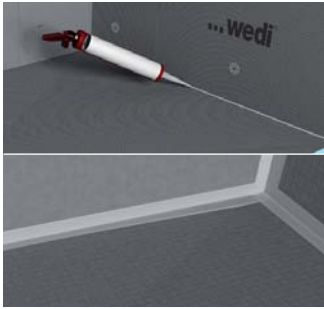
6 Press the Fundo firmly into the thinset bed, ensuring that the installation is level and void free. Ensure wedi drain's sealing gasket is firmly inserted in the wedi trap. Apply some weight equally and for at least 30 minutes (thinset bags).



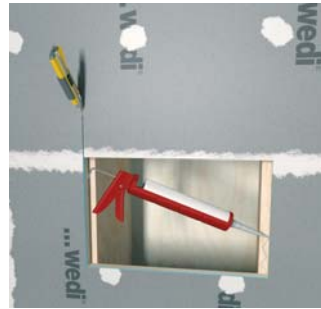
7 Set up a continuous 1/2" bead of wedi point sealant at the perimeter channel and only in areas where you can immediately install a wedi building panel into the fresh sealant.



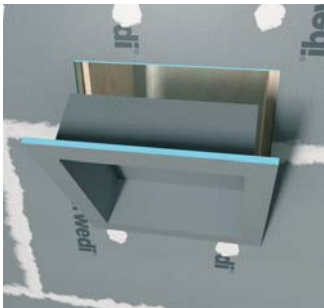
8 Push the wedi panel all the way into the channel of the shower base and its bead of sealant. Remove pushed out sealant on inside seam using a putty knife. Fasten the panels directly to the studs starting 1 ft above the base and at a rate of 1 fastener per 1ft. One extra fastener is set into the seam to the next panel to create a flush transition.



9 Apply continuous 1/2" beads of sealant between all connections of panels and install with tightly butted seams. Excess sealant must be spread flat with a putty knife. All seams and fastener heads in the assembly are covered with a secondary 1/2" bead of sealant and spread flat. The seams should be covered 3/4" to 1" on either side of seam. All fastener/washers are covered with sealant stretching 1" over the washer edges.



10 wedi Niches are installed in a cut out in the wedi wall and attached with its flange right into the center of 16 o.c. studs. wedi sealant is set along the connection of wall to niche.



11 2 Fasteners each side of the niche are set to create a flush transition to the wall panels. Another 1/2" bead of wedi sealant is spread over fasteners and seams.



12 A continuous 1/2" bead of sealant is set into the channel and along the vertical curb notch part. A circle of 1/2" sealant bead is set against the wall panels where the curb attaches. A 1/2" x 1/2" bed of thinset mortar is applied to the subfloor. The tightly cut to fit curb is pressed into the connection. Weight is applied on and against the curb (from outside) and another 1/2" bead of sealant is applied over all curb seams and spread flat. The seams must be covered 3/4" to 1" either side of a seam.

After Installation

- All bottom perimeter joints, curb joints, vertical and horizontal panel joints are visibly covered with wedi sealant. Coverage should be continuously visible for at least 3/4" to 1" on each side of the joint.
- No mastic adhesives are to be used to install tile in wedi shower systems.
- Ceramic tiles smaller than 2"x2" must be grouted using epoxy grout. River Rock or Pebble Stones must be grouted with a modified cementitious sanded grout.
- Large format tile can be used on wedi Fundo bases. The tiles must be cut where the slope fields meet unless a single slope model is used.
- When complete wedi shower system is installed with wedi joint sealant, a water flood test may be performed only 2 hours after final application of wedi joint sealant (application temperature must be ambient / interior with normal relative humidity and temperatures above 40°F).

Installation instructions wedi Fundo Riolito Drain Cover

General Information

- A Drain Cover Fundo Riolito standard: Polished Stainless Steel Standard Version
- B Drain Cover Fundo Riolito exclusive: High Grade Stainless Steel Version
- C Drain Cover Fundo Riolito tileable: Can be tiled with epoxy glue/adhesive. Can be used for 1/4" and 1/2" tile/stone (reverse cover)
- D Drain cover can be adjusted from + 5 mm to + 25 mm from Riolito base surface



Special considerations during and after installation

- i** • Where wedi building panel or curb overs/caps are installed over horizontal surfaces (seats, curbs, tubdeck transitions) do not set any fasteners and do not allow the glass door installation to penetrate the wedi panel as it is your waterproofing.
- Make sure that doors are installed tight to contain water inside the shower. Make sure doors are installed to only load bearing reinforced framing.
- Where wedi building panel is installed over corners of a structure showing an angle other than 90° please miter the board edges to gain adhesion surface. Utilize a wedi sealing tape in addition to regular sealing for safety.

General Information

- i** • With all Fundo Riolino floor elements, it is only possible to use the wedi drain systems for Fundo Riolito/Riolino.
- For installing the linear channel covers please have a look at the installation instructions in the packaging.





wedi corporation
171 South Gary Avenue · Carol Stream, Illinois 60188
Tel.: +1-847-357-9815 · Fax: +1-847-357-9819
info@wedicorp.com · www.wedicorp.com