

BOCCHI

CONTEMPO 30 STEP RIM

APRON FRONT SINGLE BOWL
KITCHEN SINK



Product Code

1344-XXX-0120

FEATURES

- Fine fireclay construction
- Sink is finished on all four sides
- 3-1/2" center drain
- Stainless steel bottom sink rack, chrome strainer and select accessories included
- Compatible with standard garbage disposal flanges, extenders not required
- Requires a minimum 33 inch wide base cabinet for apron-front sinks
- Requires support frame in cabinetry

Standard Colors

White (001), Biscuit (014)

Premium Colors

Matte White (002), Matte Black (004),
Black (005), Matte Gray (006),
Sapphire Blue (010), Matte Dark Gray (020),
Matte Brown (025)

DIMENSIONS

NOMINAL DIMENSIONS

30"X19"X10"

BOWL INSIDE DIMENSIONS

28 1/2" (724mm) wide

17 1/2" (444mm) front to back

8 7/8" (226mm) depth

COMPONENTS INCLUDED THE BOX

2300 0003 - 30"X19"X10"

SS SINK RACK - CHROME (1pc)

2330 0001 - SINK STRAINER - CHROME (1pc)

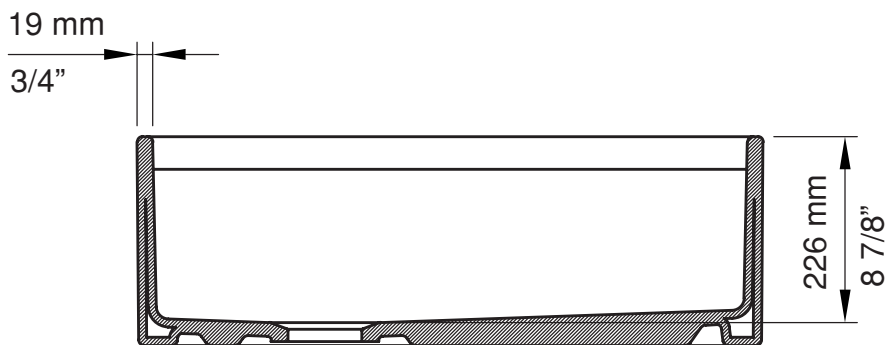
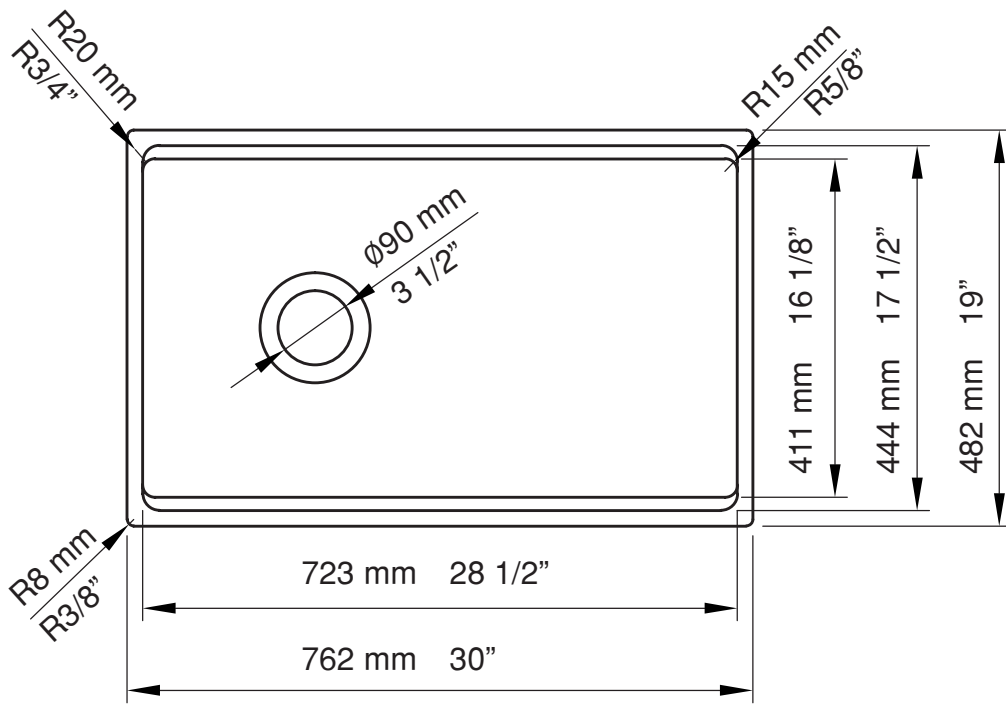
2320 0001 - CUTTING BOARD

2310 0003 - COLANDER

2350 0001 - ROLLER MAT

COMPLIANCE CERTIFICATIONS

Meet or Exceeds ASME A112.19.2 / CSA B45.1



NOTES:

Refer to installation instructions supplied with kitchen sink for undermount, countertop or above counter custom installations.

Due to the fireclay process, dimensions may vary. Please use the actual sink that you will be installing in order to determine the cutout dimensions for your countertop.

CAUTION: Sink is heavy! Installer must provide adequate reinforcement for all load-bearing supports in accordance with installation instructions supplied with kitchen sink.

Fittings not included with fixture and must be ordered separately.

IMPORTANT: Dimensions of fixtures are nominal and may vary within the range of tolerance established by ANSI standards. These measurements are subject to change or cancellation. No responsibility is assumed for use of superseded or voided pages.