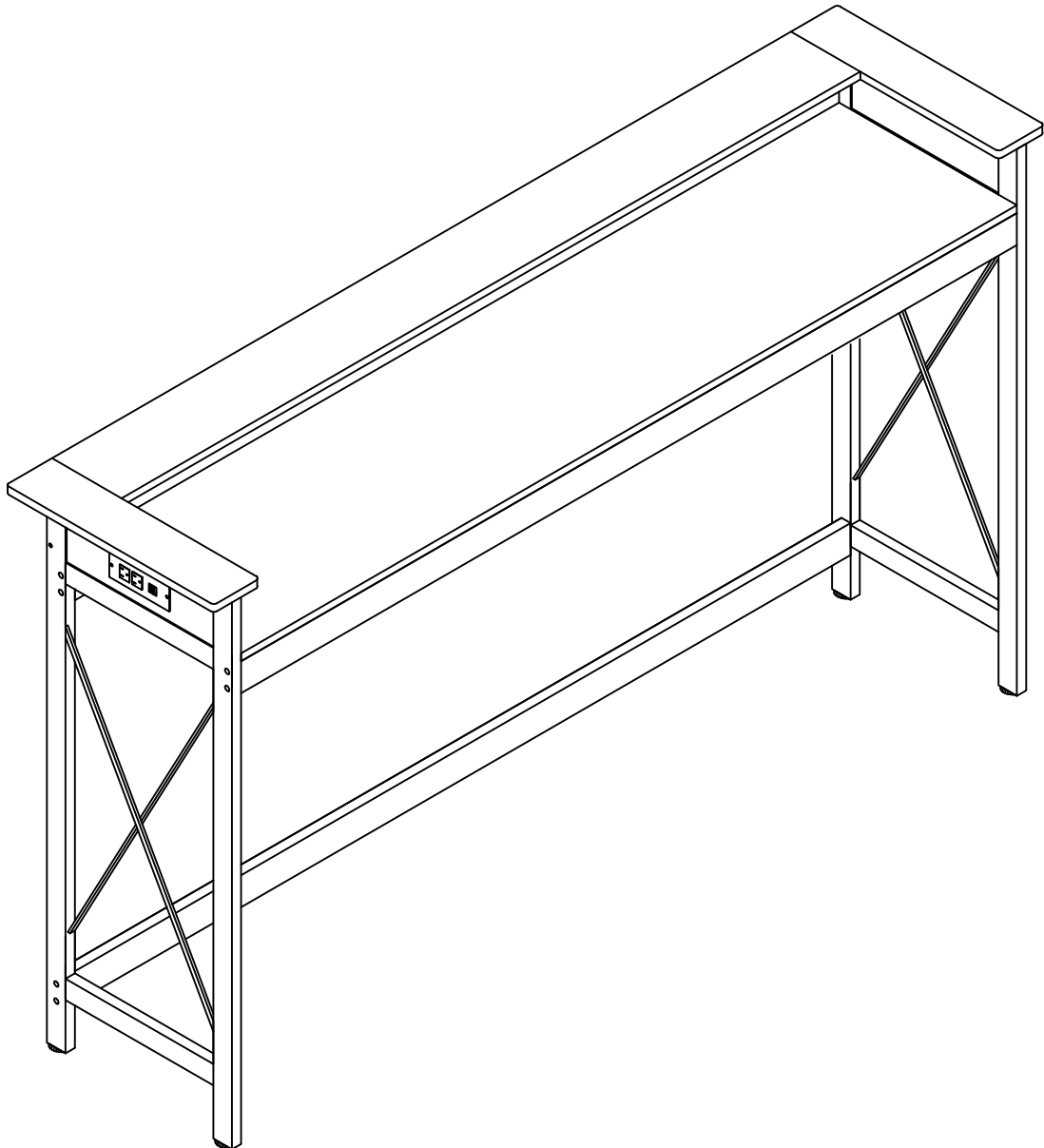


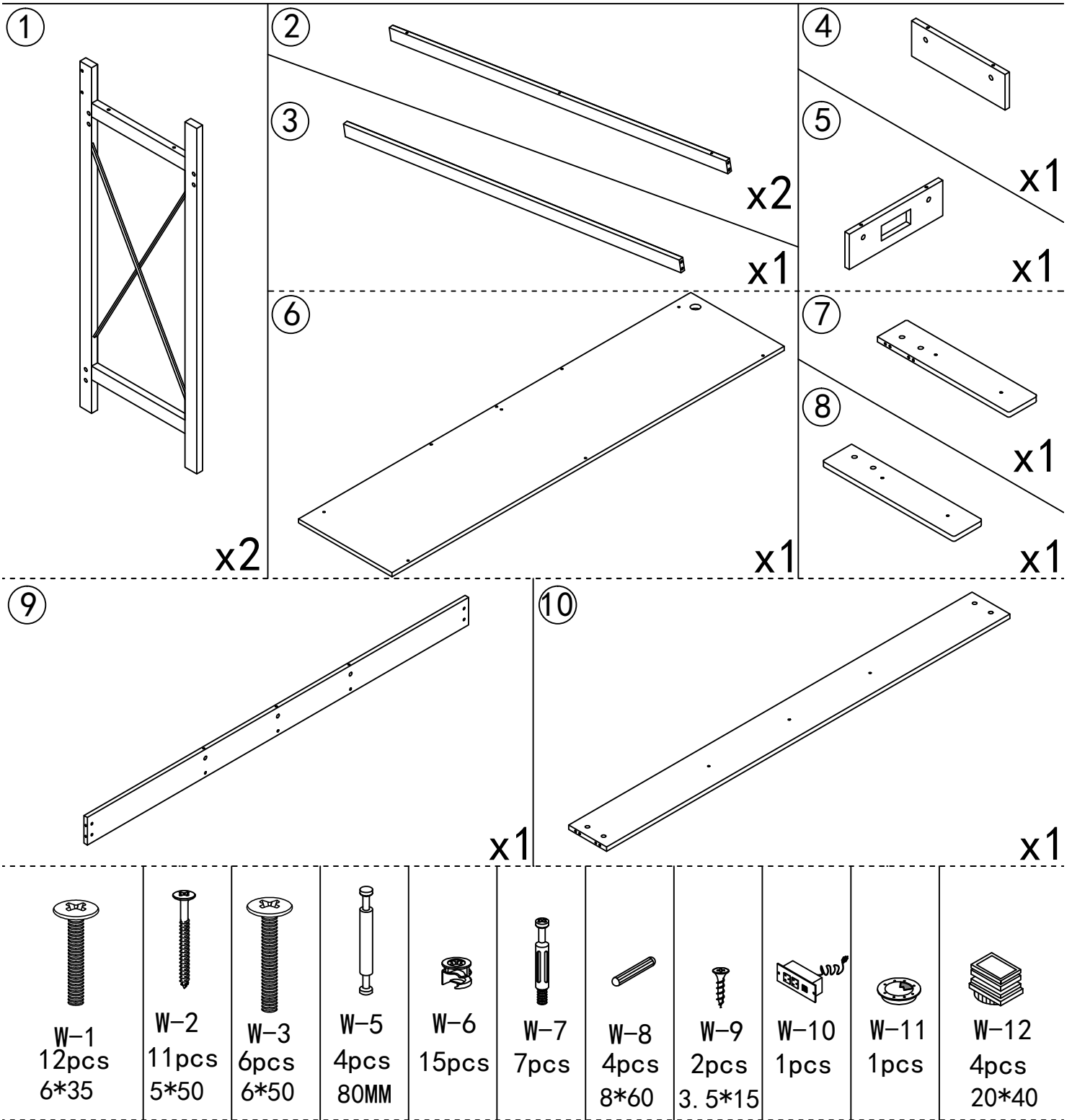
Installation instructions

HOGA-C0657



Tribesigns
Way to origin

Accessories show



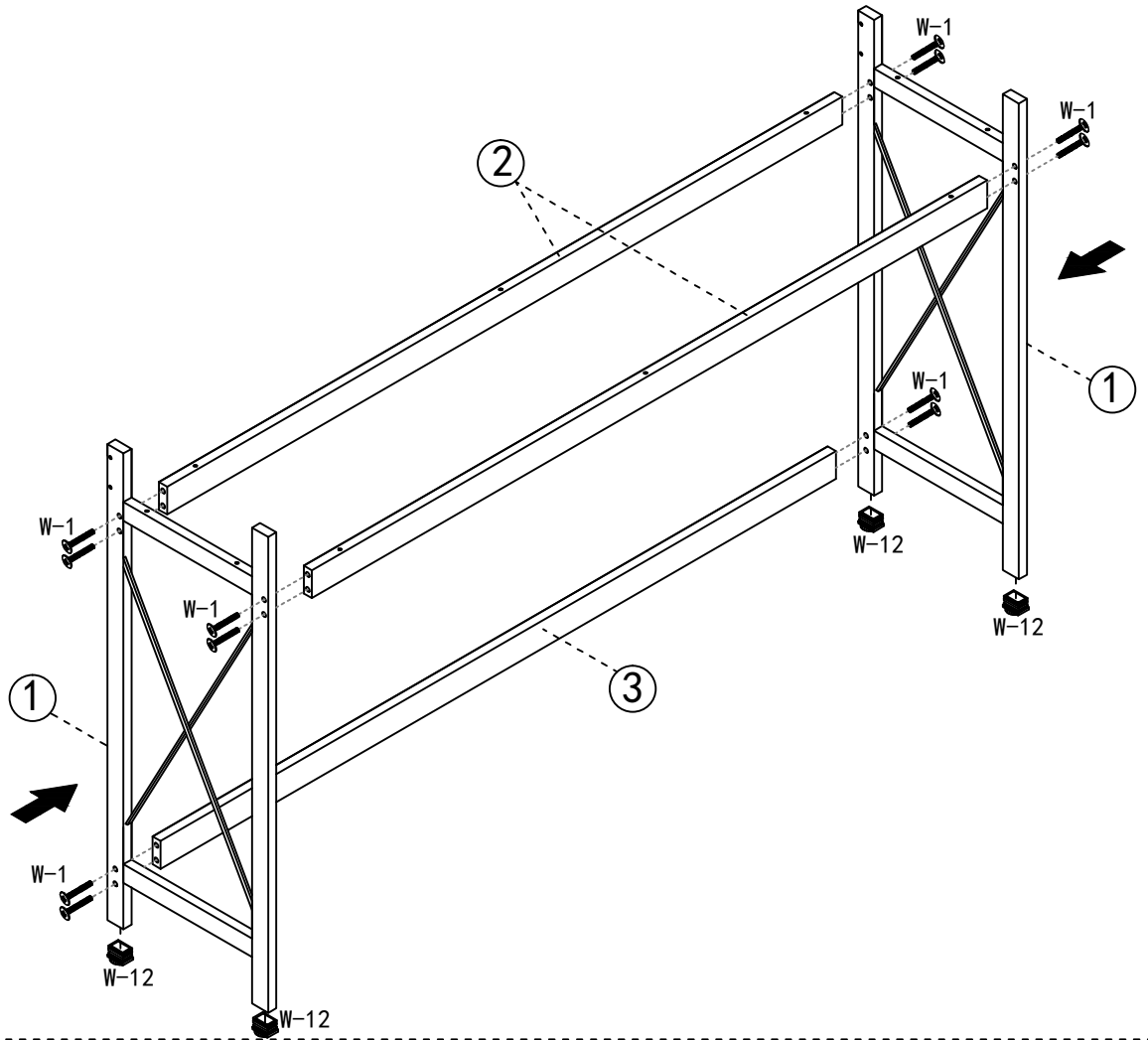
NOTES: Don't tighten screws completely at first, just in case parts were assembled wrong and need disassembled. Tighten screws at last when all parts are put together.

www.tribesigns.com

Email: support@tribesigns.com

STEP

1



W-1

12pcs

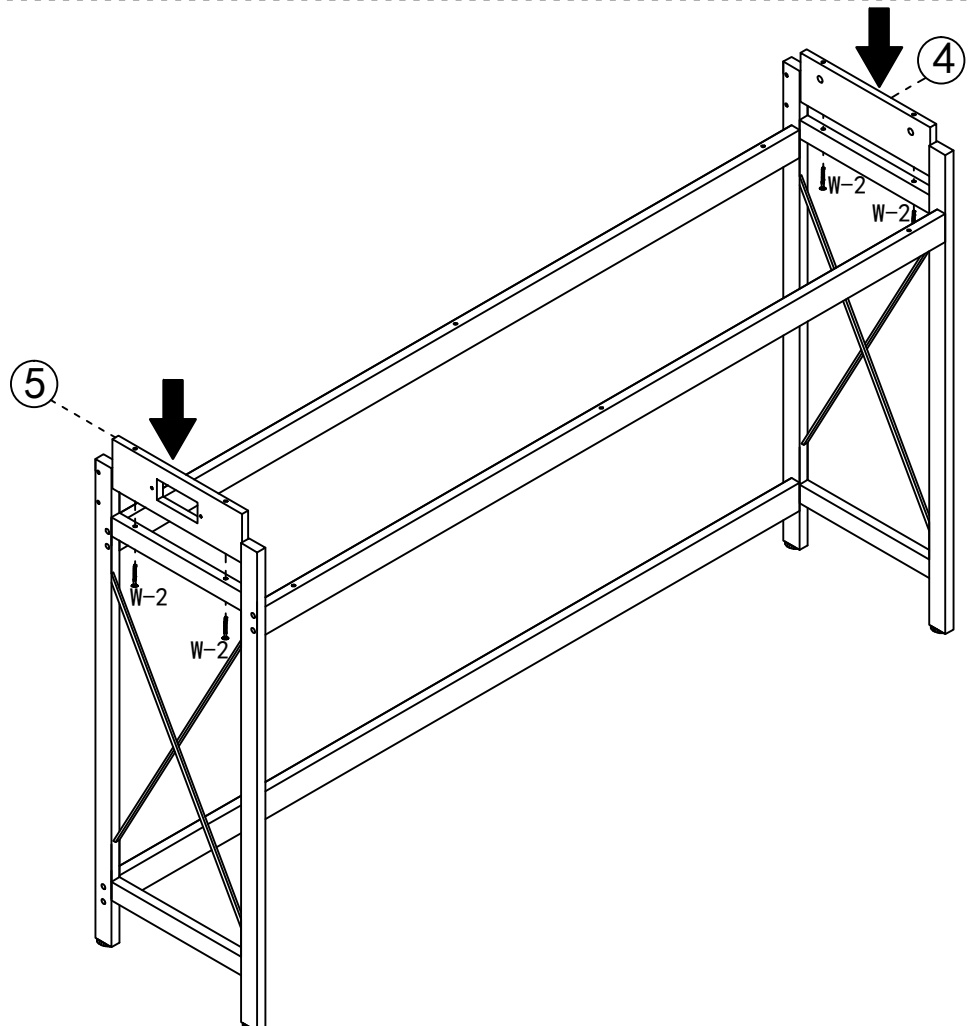


W-12

4pcs

STEP

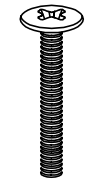
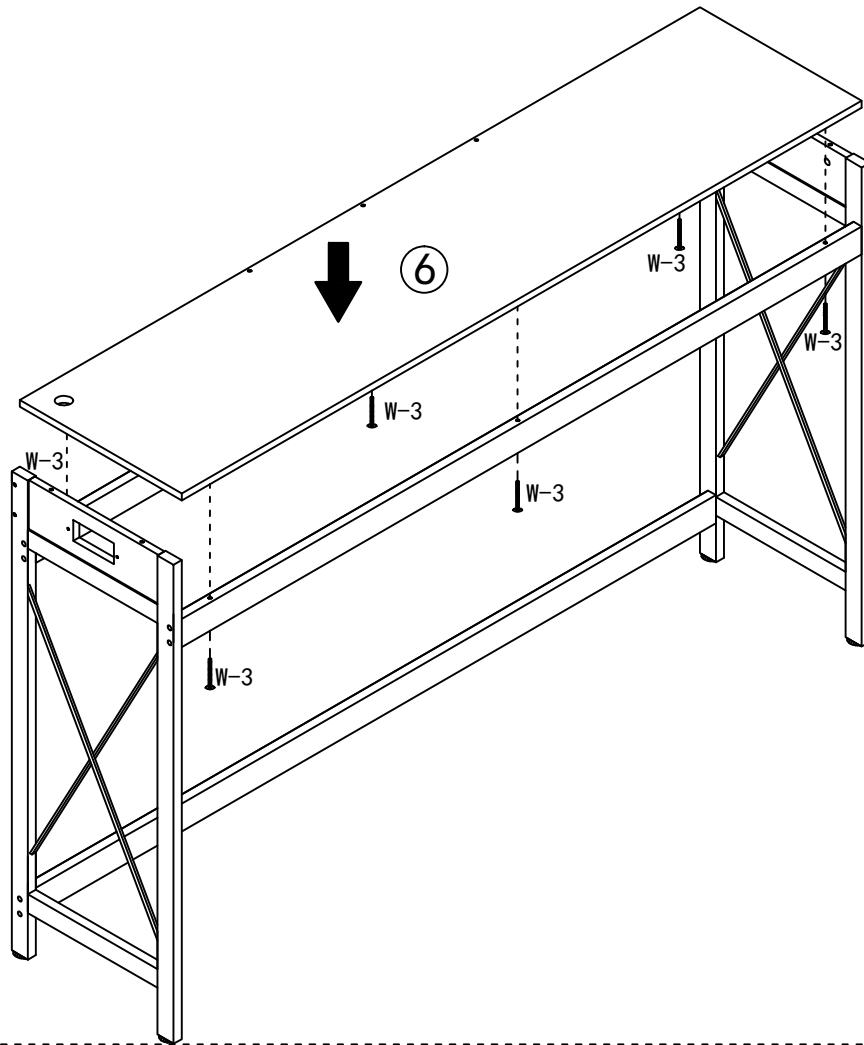
2



W-2

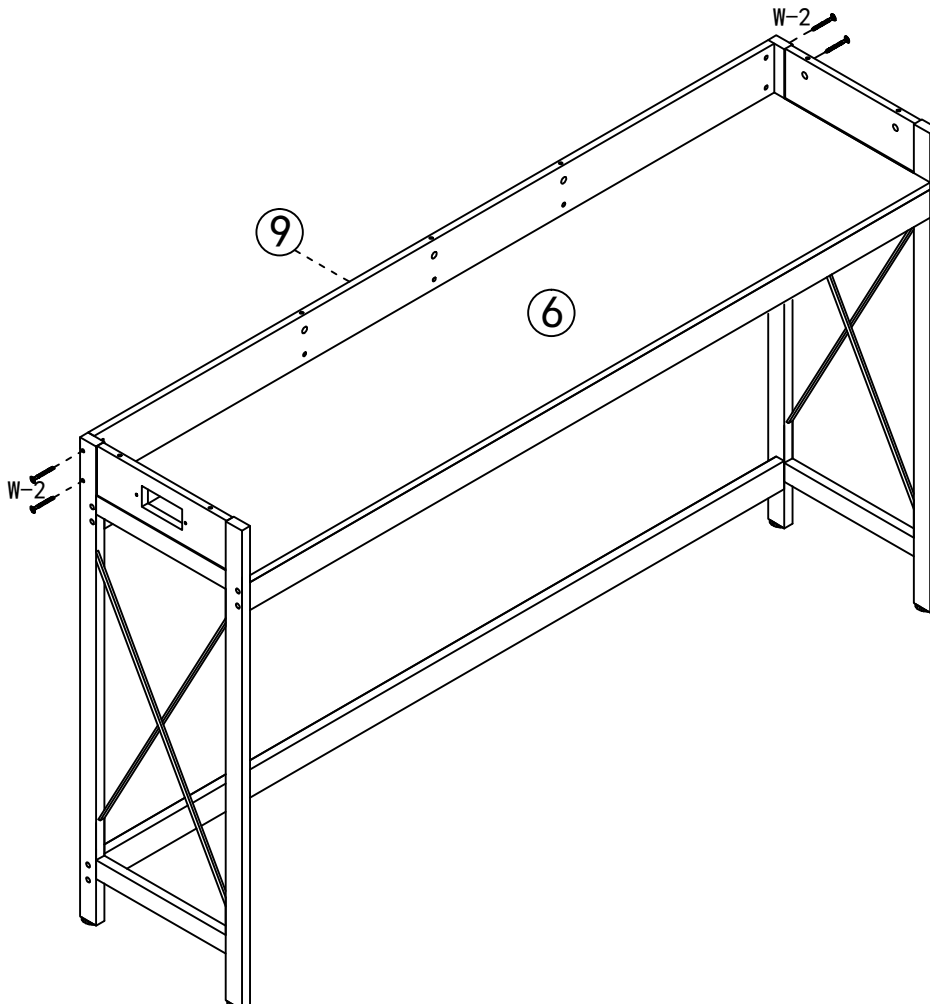
4pcs

STEP
3



W-3
6pcs

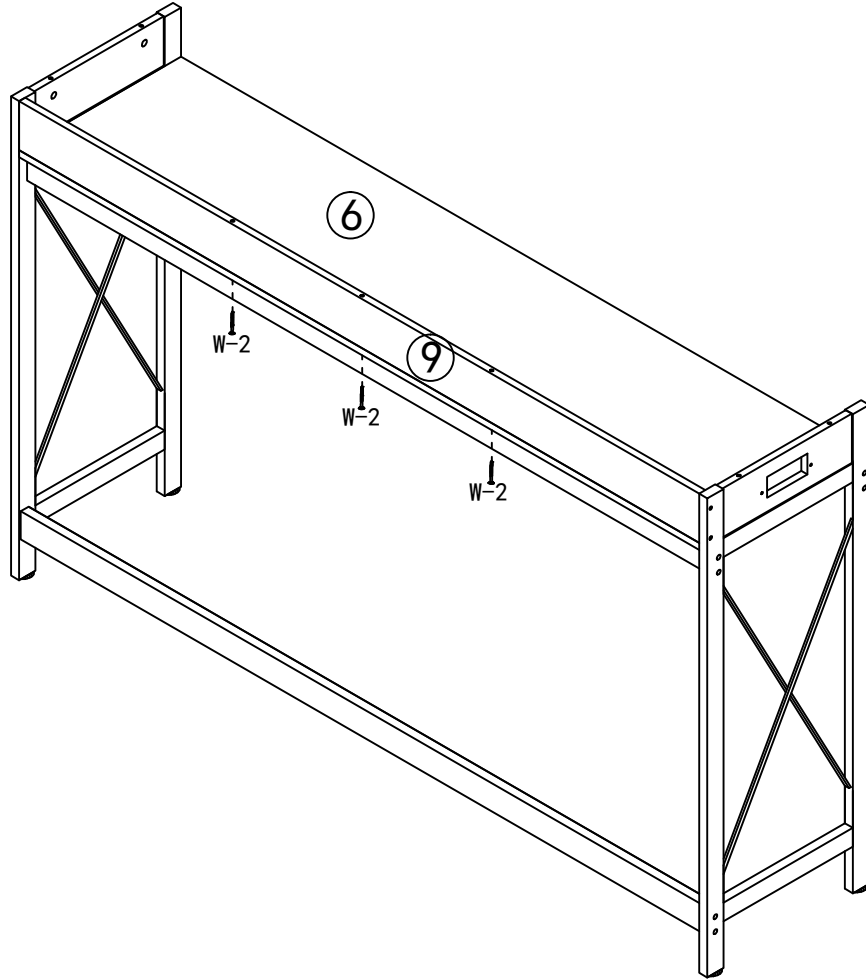
STEP
4



W-2
4pcs

STEP

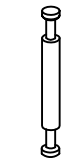
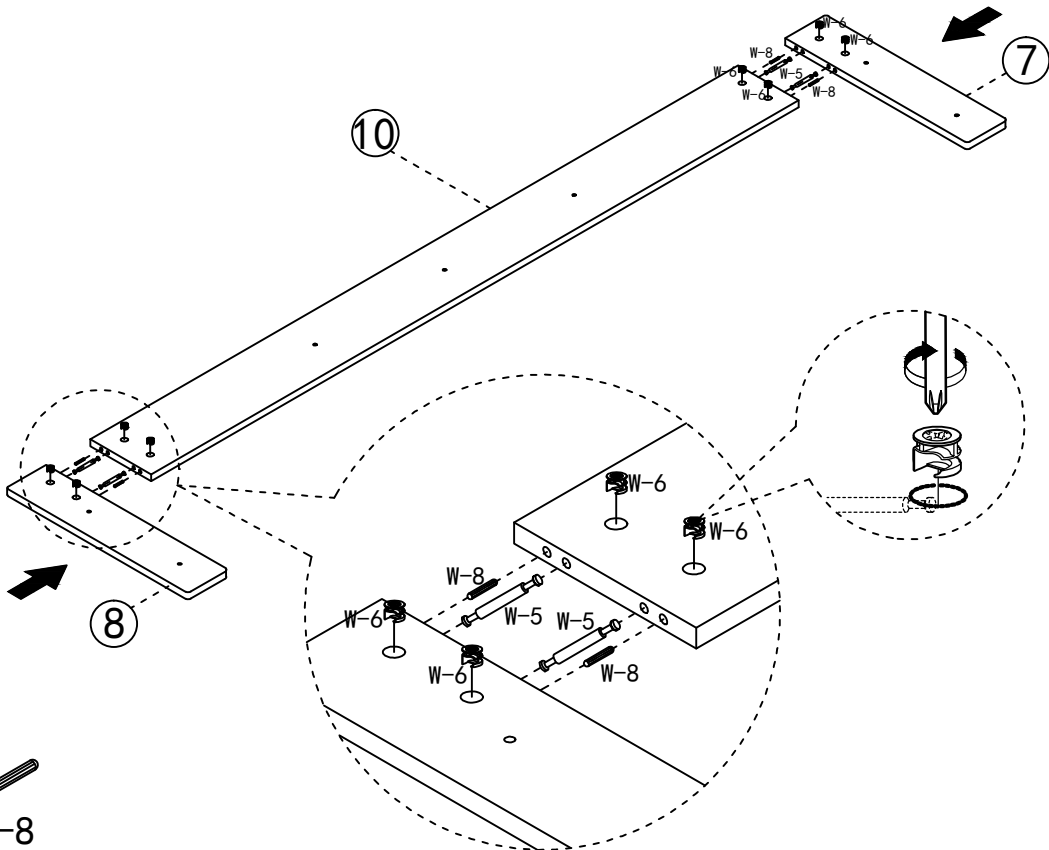
5



W-2
3pcs

STEP

6



W-5
4pcs



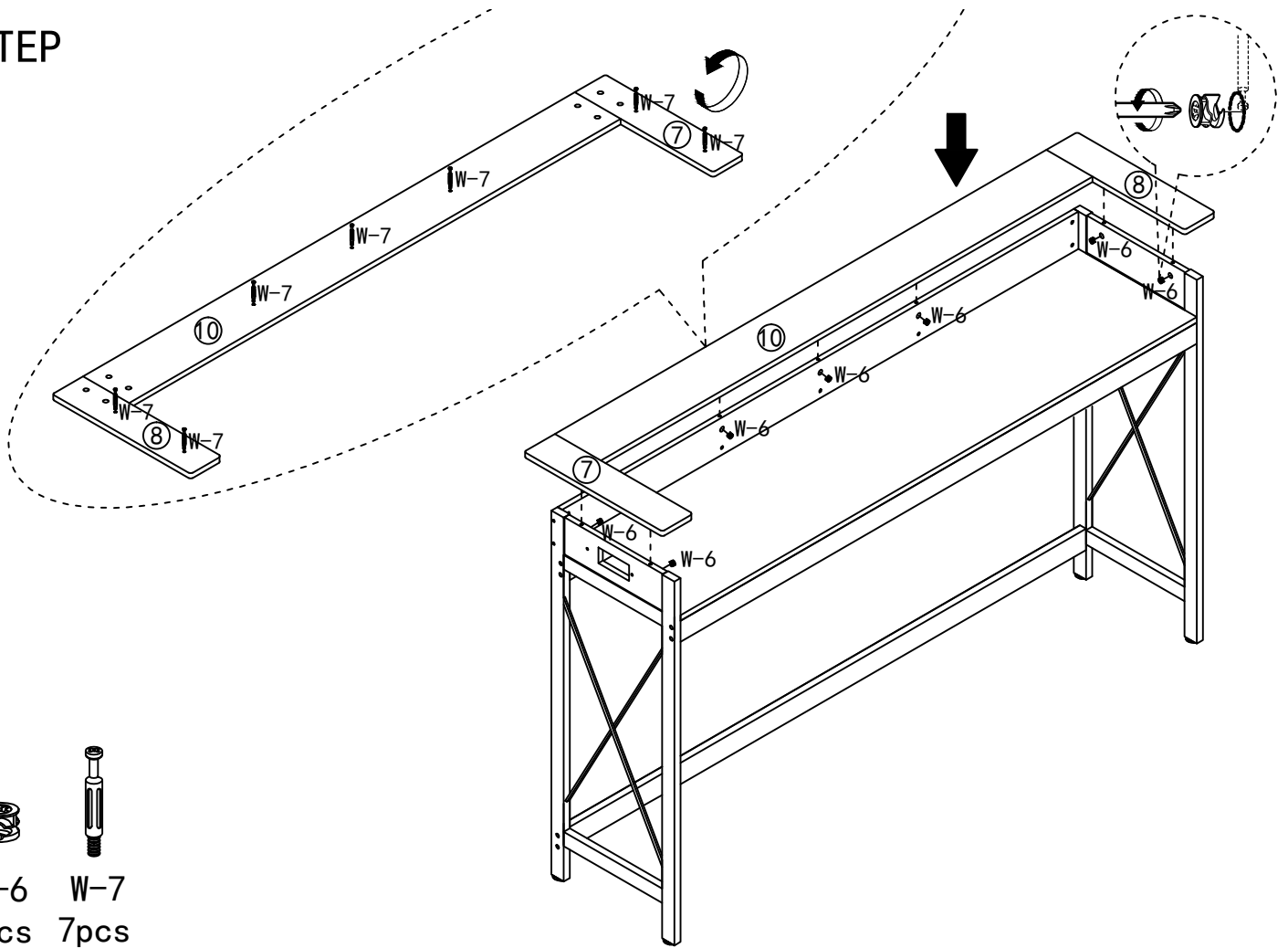
W-6
8pcs



W-8
4pcs

STEP

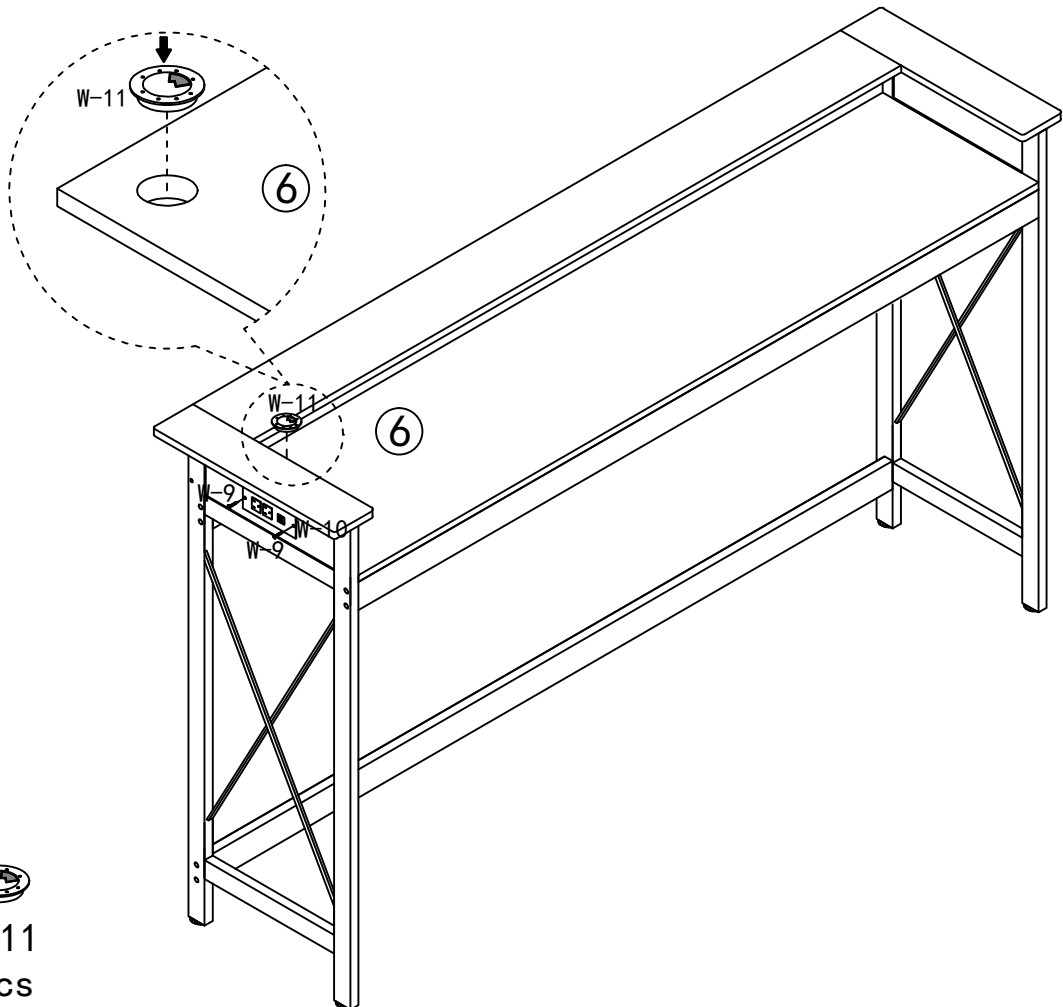
7



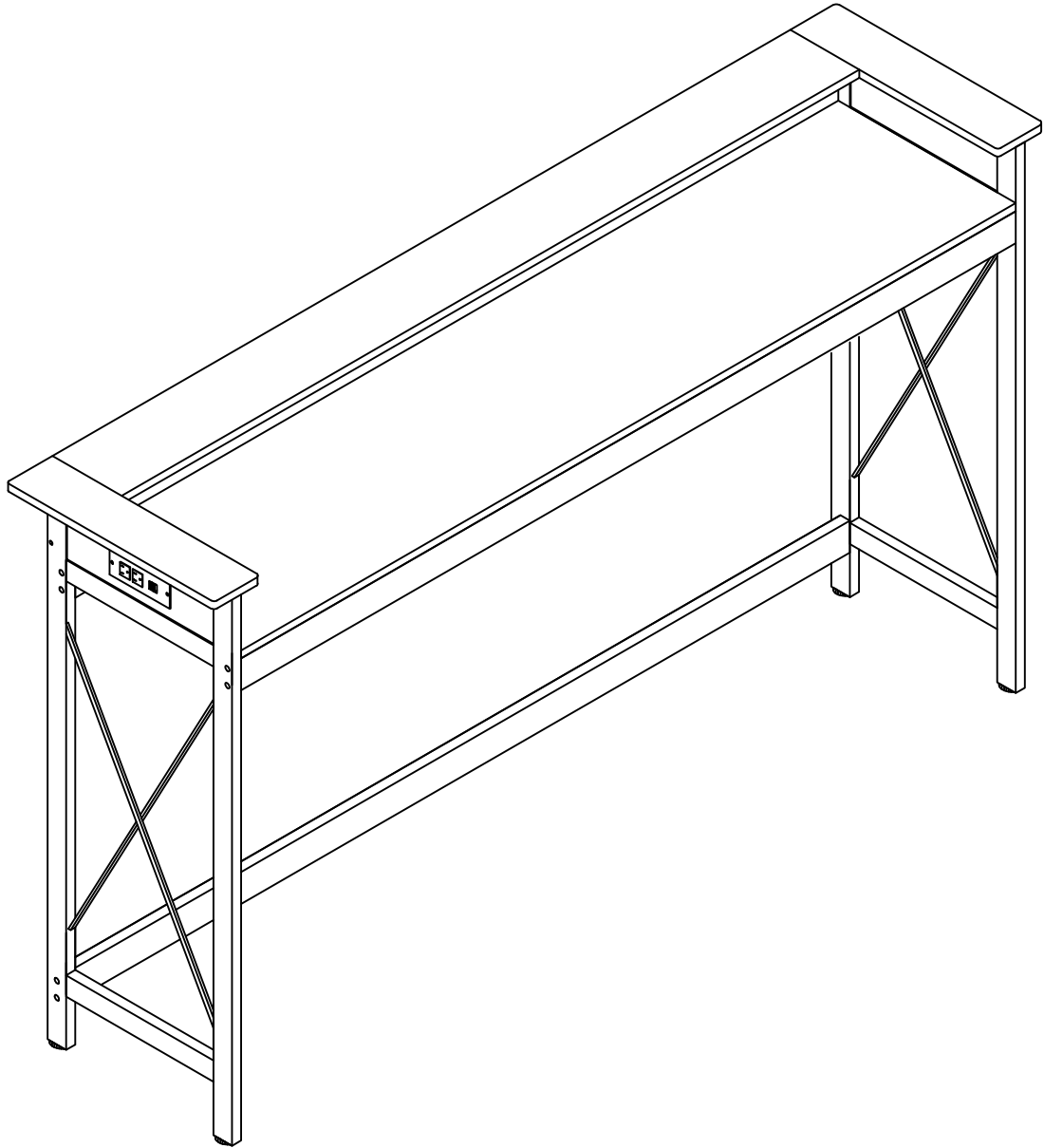
W-6 7pcs
W-7 7pcs

STEP

8



W-9 2pcs
W-10 1pcs
W-11 1pcs



complete

Thanks for choosing Tribesigns product
your satisfaction is our priority If you have
any damages caused by shipping
feel free to contact us at "support@tribesigns.com"
our friendly customer service will solve problem for you.