



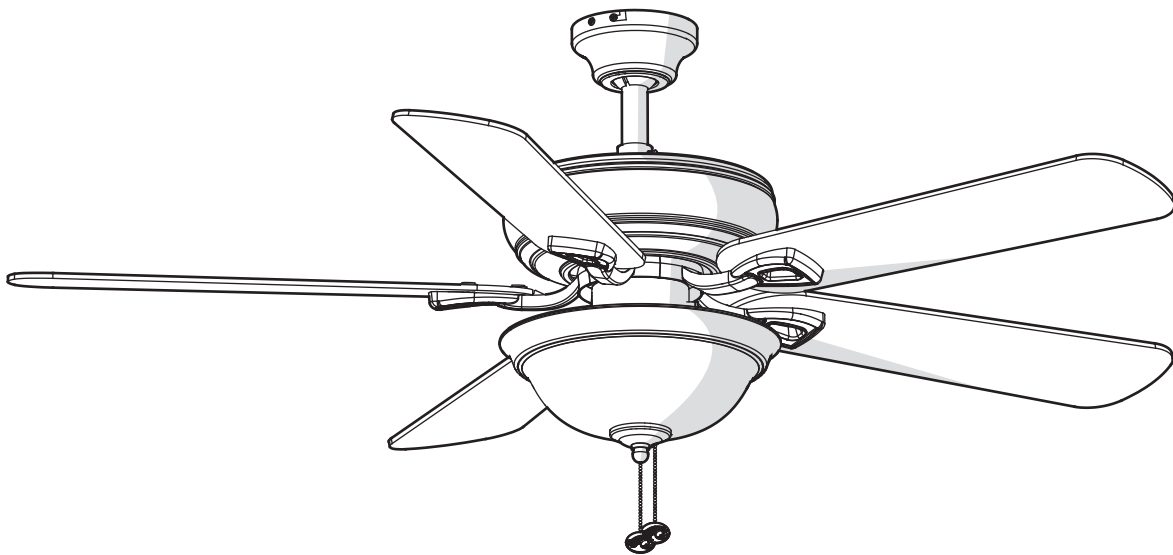
Item #1001 029 635, 1001 029 894

Model #51563, 51564

UL Model #52-MLN

USE AND CARE GUIDE

ROTHLEY 52-INCH CEILING FAN



Questions, problems, missing parts? Before returning to the store,
call Hampton Bay Customer Service
8 a.m. - 6 p.m., EST, Monday-Friday

1-855-HD-HAMPTON

HAMPTONBAY.COM

THANK YOU

We appreciate the trust and confidence you have placed in Hampton Bay through the purchase of this ceiling fan. We strive to continually create quality products designed to enhance your home. Visit us online to see our full line of products available for your home improvement needs.

Thank you for choosing Hampton Bay!

Table of Contents

Table of Contents	2	Assembly	7
Safety Information	2	Operation	14
Warranty	3	Care and Cleaning	15
Pre-Installation	3	Troubleshooting	15
Installation.....	6		

Safety Information

1. To reduce the risk of electric shock, ensure the electricity has been turned off at the circuit breaker or fuse box before you begin.
2. All wiring must be in accordance with the National Electrical Code ANSI/NFPA 70-1999 and local electrical codes. Electrical installation should be performed by a qualified licensed electrician.
3. The outlet box and support structure must be securely mounted and capable of reliably supporting 35 lbs. (15.9 kg). Use only UL Listed outlet boxes marked "Acceptable for Fan Support of 35 lbs. (15.9 kg) or less."
4. The fan must be mounted with a minimum of 7 ft. (2 m) clearance from the trailing edge of the blades to the floor.
5. Do not operate the reversing switch while the fan blades are in motion. You must turn the fan off and stop the blades before you reverse the blade direction.
6. Do not place objects in the path of the blades.
7. To avoid personal injury or damage to the fan and other items, use caution when working around or cleaning the fan.
8. Electrical diagrams are for reference only. Light kits that are not packed with the fan must be UL-listed and marked suitable for use with the model fan you are installing. Switches must be UL General Use Switches. Refer to the instructions packaged with the light kits and switches for proper assembly.
9. After making electrical connections, spliced conductors should be turned upward and pushed carefully up into the outlet box. The wires should be spread apart with the grounded conductor and the equipment-grounding conductor on one side of the outlet box.
10. All setscrews must be checked and retightened where necessary before installation.



WARNING: To reduce the risk of personal injury, do not bend the blade brackets (also referred to as flanges) during assembly or after installation. Do not insert objects in the path of the blades.



WARNING: Remove the rubber motor stops on the bottom of the fan before installing the blades or testing the motor.



WARNING: To reduce the risk of fire or electric shock, do not use this fan with any solid-state speed control device.



WARNING: To avoid possible electrical shock, turn the electricity off at the main fuse box before wiring. If you feel you do not have enough electrical wiring knowledge or experience, contact a licensed electrician.



WARNING: Electrical diagrams are for reference only. Optional use of any light kit shall be UL-listed and marked suitable for use with this fan.



WARNING: To reduce the risk of fire, electric shock, or personal injury, mount to outlet box marked "Acceptable for fan support of 35 lbs. (15.9 kg) or less," and use the screws provided with the outlet box.

Warranty

The supplier warrants the fan motor to be free from defects in workmanship and material present at time of shipment from the factory for a life-time after the date of purchase by the original purchaser. The supplier also warrants that all other fan parts, excluding any glass or acrylic blades, to be free from defects in workmanship and material at the time of shipment from the factory for a period of one year after the date of purchase by the original purchaser. We agree to correct such defects without charge or at our option replace with a comparable or superior model if the product is returned. To obtain warranty service, you must present a copy of the receipt as proof of purchase. All costs of removing and reinstalling the product are your responsibility. Damage to any part, such as by accident, misuse, improper installation, or by affixing any accessories, is not covered by this warranty. Because of varying climatic conditions this warranty does not cover any changes in brass finish, including rusting, pitting, corroding, tarnishing, or peeling. Brass finishes of this type give their longest useful life when protected from varying weather conditions. A certain amount of "wobble" is normal and should not be considered a defect. Servicing performed by unauthorized persons shall render the warranty invalid. There is no other express warranty. Hampton Bay hereby disclaims any and all warranties, including but not limited to those of merchantability and fitness for a particular purpose to the extent permitted by law. The duration of any implied warranty which cannot be disclaimed is limited to the time period as specified in the express warranty. Some states do not allow a limitation on how long an implied warranty lasts, so the above limitation may not apply to you. The retailer shall not be liable for incidental, consequential, or special damages arising out of or in connection with product use or performance except as may otherwise be accorded by law. Some states do not allow the exclusion of incidental or consequential damages, so the above exclusion or limitation may not apply to you. This warranty gives specific legal rights, and you may also have other rights which vary from state to state. This warranty supersedes all prior warranties. Shipping costs for any return of product as part of a claim on the warranty must be paid by the customer.

Contact the Customer Service Team at 1-855-HD-HAMPTON or visit www.HamptonBay.com.

Pre-Installation

SPECIFICATIONS

Size	Speed	Volts	Amps	Watts	RPM	CFM	Net Weight	Gross Weight	Cube Feet
52 in.	Low	120	0.21	10	65	1534	16.31 lb (7.4 kg)	18.74 lb (8.5 kg)	1.61 cu.ft.
	Medium		0.34	26	105	3020			
	High		0.49	59	160	4488			



NOTE: These are approximate measures. They do not include the amps and wattage used by the light kit.

TOOLS REQUIRED



Phillips screwdriver



Flat blade screwdriver



Adjustable wrench



Electrical tape



Wire cutter / stripper



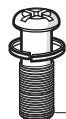
Step ladder

Pre-Installation (continued)

HARDWARE INCLUDED



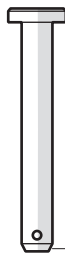
NOTE: Hardware not shown to actual size.



AA



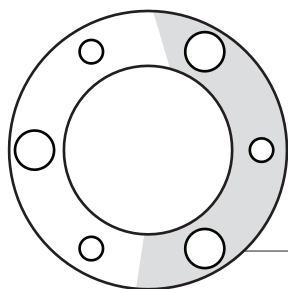
BB



CC



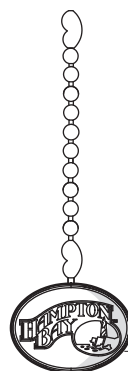
DD



EE



FF



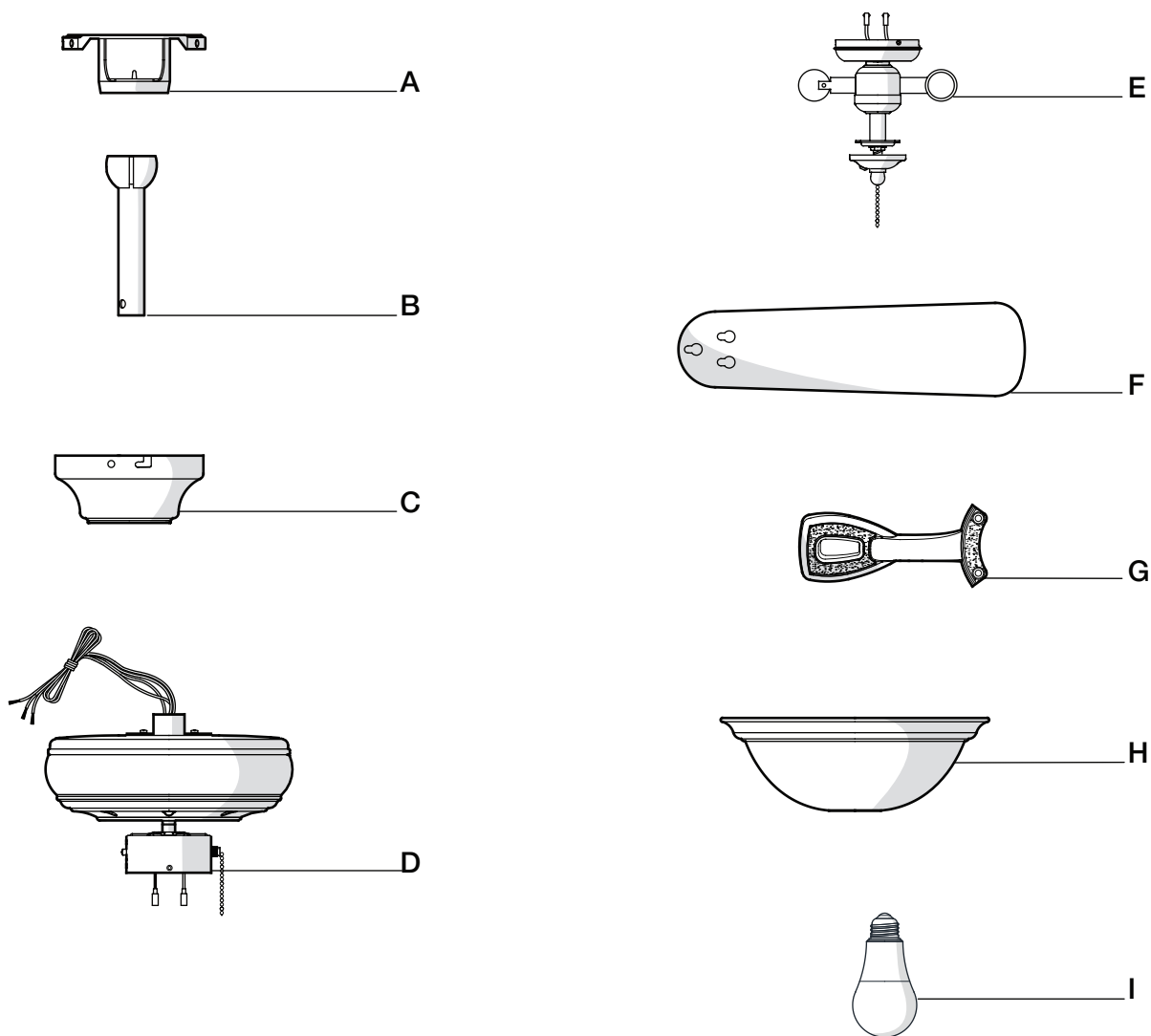
GG

Part	Description	Quantity
AA	Extra blade bracket screw	1
BB	Plastic wire connector	3
CC	Hanger pin	1
DD	Locking pin	1
EE	Rubber gasket	1

Part	Description	Quantity
FF	Plastic Plug (to be used for fan without light kit)	1
GG	Pull chain	2

Pre-Installation (continued)

PACKAGE CONTENTS



Part	Description	Quantity
A	Slide-on mounting bracket (inside canopy)	1
B	Ball/downrod assembly	1
C	Canopy	1
D	Fan-motor assembly	1
E	Light kit fitter assembly	1

Part	Description	Quantity
F	Blade	5
G	Blade bracket (with pre-installed screws)	5
H	Shatter resistant bowl	1
I	LED bulbs (9.5-Watt, Maximum)	2



IMPORTANT: This product and/or components are governed by one or more of the following U.S. Patents: 5,947,436; 5,988,580; 6,010,110; 6,046,416, 6,210,117 and other patents pending.

Installation

MOUNTING OPTIONS



WARNING: To reduce the risk of fire, electric shock or personal injury, mount to an outlet box marked "Acceptable for fan support of 35 lbs. (15.9 kg) or less," and use the screws provided with the outlet box. An outlet box commonly used for the support of lighting fixtures may not be acceptable for fan support and may need to be replaced. If in doubt, consult a qualified electrician.

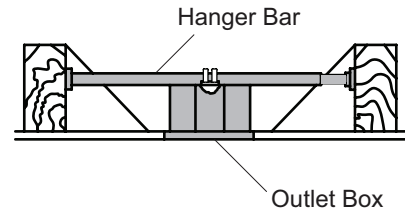
If your ceiling fan does not have an existing UL-listed mounting box, then install one using the following instructions:

- Disconnect the power by removing the fuses or turning off the circuit breakers.
- Secure the outlet box directly to the building structure. Use the appropriate fasteners and materials. The outlet box and its bracing must be able to fully support the weight of the moving fan (at least 35 lbs.). Do not use a plastic outlet box.

The illustrations below show three different ways to mount the outlet box.



NOTE: You may need a longer downrod to maintain proper blade clearance when installing on a steep, sloped ceiling. The maximum angle allowable is 20° away from horizontal.



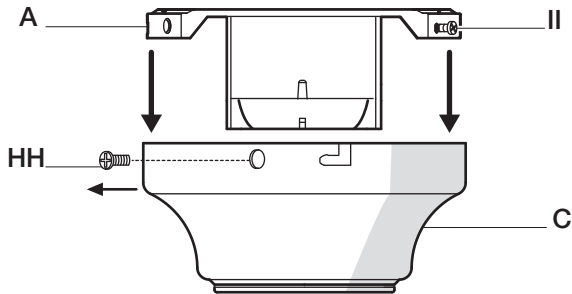
If the canopy (C) touches the ball/downrod assembly (B), then remove the decorative canopy bottom cover and turn the canopy (C) 180° before attaching the canopy (C) to the mounting plate.

To hang your fan where there is an existing fixture but no ceiling joist, you may need an installation hanger bar as shown above (available at any Home Depot store).

Assembly - Standard Ceiling Mount

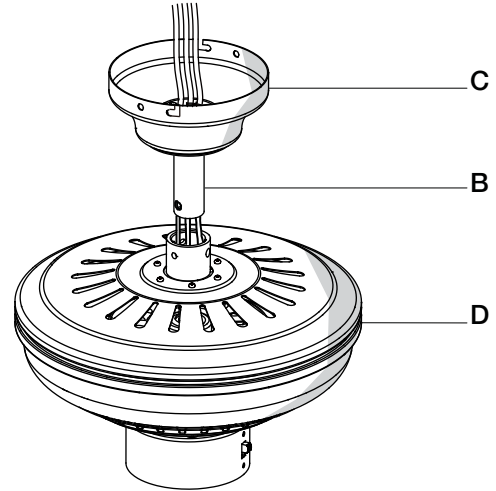
1 Preparing for standard mounting

- Remove the mounting bracket (A) from the canopy (C) by loosening the two canopy screws (II) located in the “L shaped” slots.
- Remove and save the two canopy screws (HH) in the round holes. This will enable you to remove the mounting bracket (A).



2 Routing the wires

- Make sure the slot openings are on top and route the wires exiting the top of the fan-motor assembly (D) through the canopy (C) and then through the ball/down-rod assembly (B).

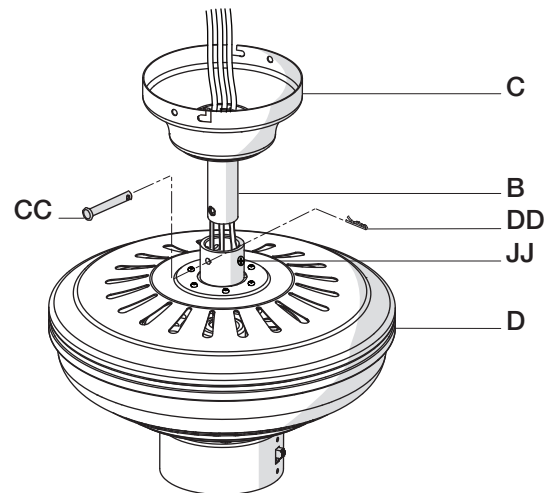


3 Assembling the fan



WARNING: Failure to properly install the locking pin (DD) could result in the fan becoming loose and possibly falling.

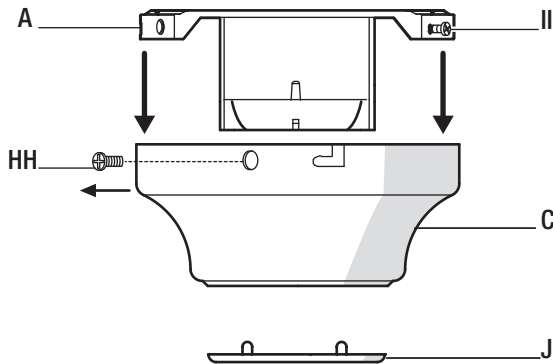
- Loosen, but do not remove, the setscrews (JJ) on the collar on top of the fan-motor assembly (D).
- Align the holes at the bottom of the ball/downrod assembly (B) with the holes in the collar on top of the fan-motor assembly (D).
- Carefully insert the hanger pin (CC) through the holes in the collar and ball/downrod assembly (B). Be careful not to jam the hanger pin (CC) against the wiring inside the ball/downrod assembly (B).
- Insert the locking pin (DD) through the hole near the end of the hanger pin (CC) until it snaps into its locked position.
- Re-tighten the setscrews (JJ) on the collar on top of the fan-motor assembly (D).



Assembly - Close-To-Ceiling Mount

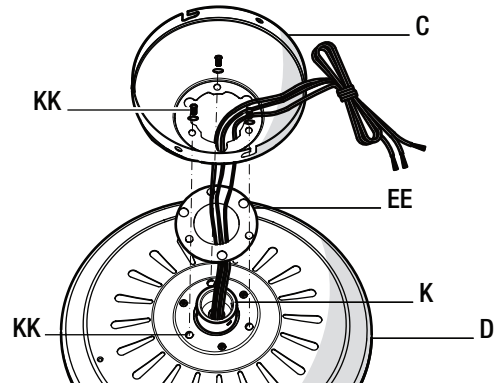
1 Preparing for mounting

- Remove the mounting bracket (A) from the canopy (C) by loosening the two canopy screws (II) located in the “L shaped” slots.
- Remove and save the two canopy screws (HH) in the round holes. This will enable you to remove the mounting bracket (A).
- Remove the decorative canopy bottom cover (J) from the canopy (C) by pressing the three studs.



2 Routing the wires

- Remove three of the six screws and lock washers (KK) (every other one) securing the motor collar (K) to the top of the fan-motor assembly (D).
- Route the wires exiting the top of the fan-motor assembly (D) through the rubber gasket (EE) aligning the holes in the rubber gasket (EE) with the three screws holes in the fan-motor assembly (E), then through the canopy (C) (make sure the slot openings are on top).
- Place the canopy (C) over the collar at the top of the fan-motor assembly (D), aligning the mounting holes with the holes in the motor and fasten using the three screws and lock-washers (KK) removed previously. Tighten the mounting screws securely.



Assembly - Hanging the Fan

1 Attaching the fan to the electrical box

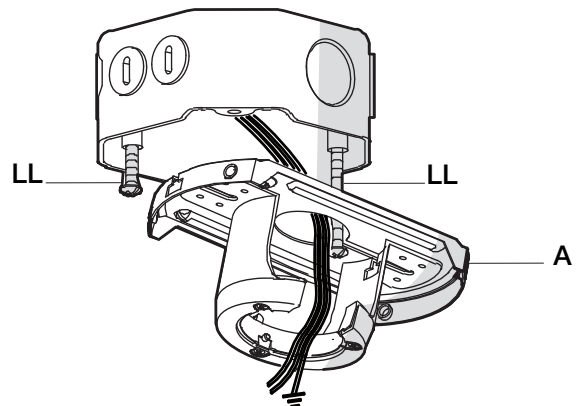


WARNING: To reduce the risk of fire, electric shock or personal injury, mount to an outlet box marked “Acceptable for fan support of 35 lbs. (15.9 kg) or less,” and use the screws provided with the outlet box.



NOTE: The mounting bracket (A) is designed to slide into place on an outlet box with the outlet box screws (LL).

- Pass the 120-Volt supply wires through the center hole in the slide-on mounting bracket (A).
- Install the slide-on mounting bracket (A) on the outlet box by sliding the slide-on mounting bracket (A) over the two screws (LL) provided with the outlet box. If necessary, use leveling washers (not included) between the slide-on mounting bracket (A) and the outlet box. The flat side of the slide-on mounting bracket (A) should face toward the outlet box, as shown.
- Securely tighten the two mounting screws (LL).



Assembly - Hanging the Fan

2 Hanging the fan

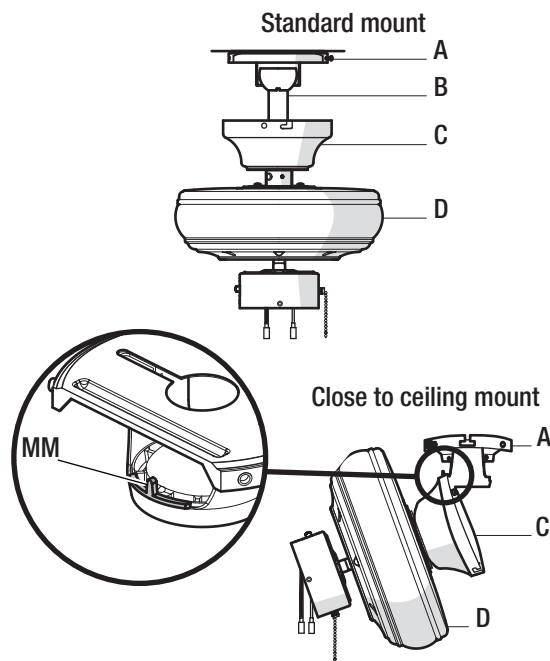


WARNING: The hook (MM) is only to balance the fan while making the electrical connections. Failure to hang as shown may result in the hook (MM) breaking, causing the fan to fall. The hook must pass from the inside to the outside of the canopy.



WARNING: When hanging the fan on the hook (MM) it is critical that you use one of the non-slotted (round) holes in the canopy (C).

- Carefully lift the fan-motor assembly (D) up to the slide-on mounting bracket (A).
- Insert the ball portion of the ball/downrod assembly into the socket of the slide-on mounting bracket.
- Turn the ball/downrod assembly clockwise until it is seated with the tab of the slide-on mounting bracket aligned with the slot in the ball.
- If using close-to-ceiling mounting, hang the fan on the hook provided by utilizing one of the round holes at the outer rim of the ceiling canopy (C).



Assembly - Hanging the Fan (continued)

3 Making the electrical connections



WARNING: Each wire not supplied with this fan is designed to accept up to one 12-gauge house wire and two wires from the fan. If you have larger than 12-gauge house wiring or more than one house wire to connect to the fan wiring, consult an electrician for the proper size wire nuts to use.



WARNING: Remove the rubber motor stops on the bottom of the fan before installing the blades or testing the motor.



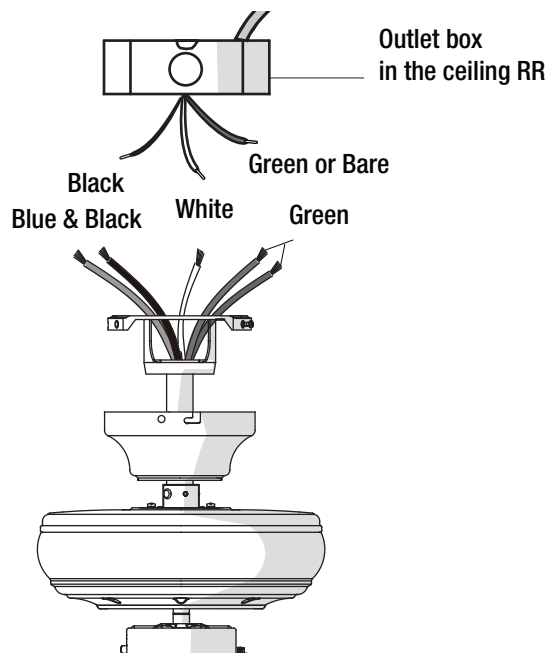
IMPORTANT: Use the plastic wire connectors (BB) supplied with your fan. Secure the connectors with electrical tape and ensure there are no loose strands or connections.



NOTE: The fan comes with 54 in. lead wires for use with an extended ball/downrod assembly. If using the 4.5 in. ball/downrod assembly (B) provided, you can cut the lead wires to your desired length (no shorter than 12 in.).

- The fan comes with 54 in. lead wires for use with an extended ball/downrod assembly. If using the 4.5 in. ball/downrod assembly (B) provided, you can cut the lead wires to your desired length (no shorter than 12 in.) This will make extra room in the canopy (C), if you do not wish to cut the wires, you will need to neatly wrap them.
- Connect the fan motor green wires to the household green or bare wire using a wire connecting nut (BB).

- Connect the fan motor white wire to the household white wire using a wire connecting nut (BB).
- Connect the fan motor black and blue wires to the household black wire using a wire connecting nut (BB).
- Secure each wire connecting nut using electrical tape.
- Turn the wire connecting nut (BB) upward and push the wiring into the outlet box (RR).



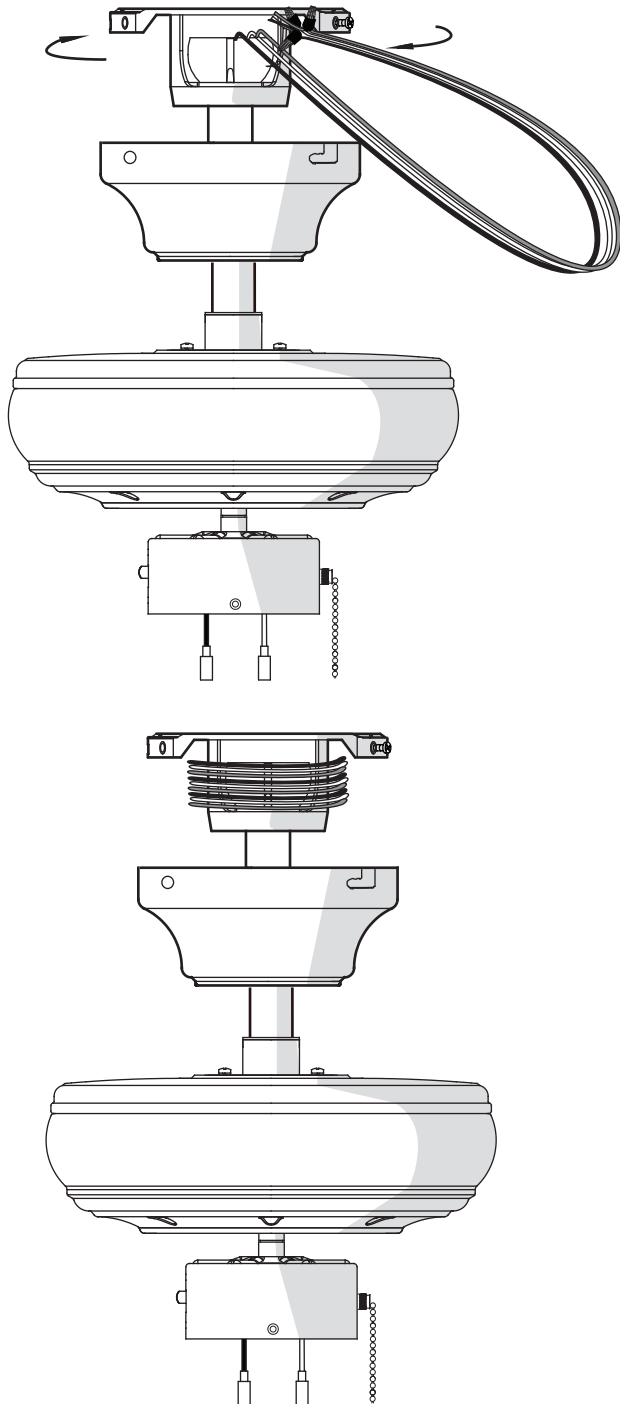
Assembly - Hanging the Fan (continued)

4 Wrapping the extra wire



NOTE: Follow this step **ONLY** if you did not cut the extra length off from the wires coming from the ceiling fan.

- Gently wrap the excess wire around the mounting bracket.
- Secure with electrical tape.



5 Mounting the fan-motor assembly (standard mount)

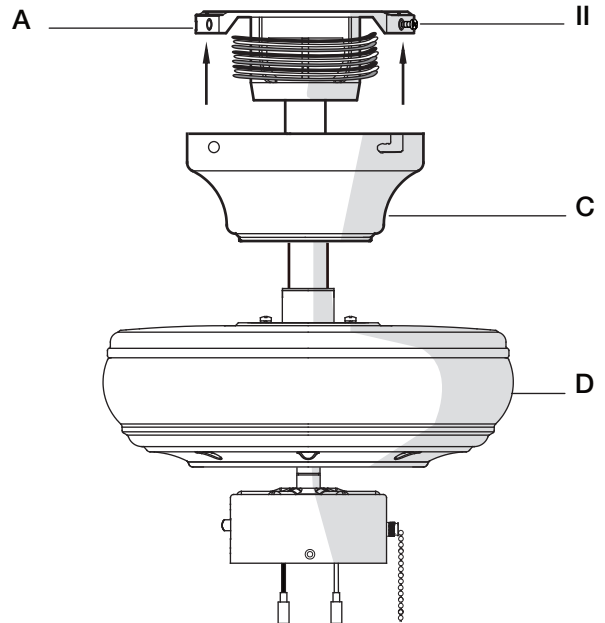


WARNING: When using the standard ball/downrod mounting, the tab in the ring at the bottom of the mounting bracket must rest in the groove of the hanger ball. Failure to properly seat the tab in the groove could cause damage to the wiring.



WARNING: The locking slots of ceiling canopy are provided only as an aid to mounting. Do not leave the fan assembly unattended until all four canopy screws are engaged and firmly tightened.

- Align the locking slots of the ceiling canopy (C) with the two screws (II) in the mounting bracket (A). Push up to engage the slots and turn clockwise to lock in place.
- Firmly tighten the two mounting screws.
- Install the two mounting screws (saved from Assembly Step 1 "Preparing for mounting") into the holes in the canopy (C) and tighten firmly.



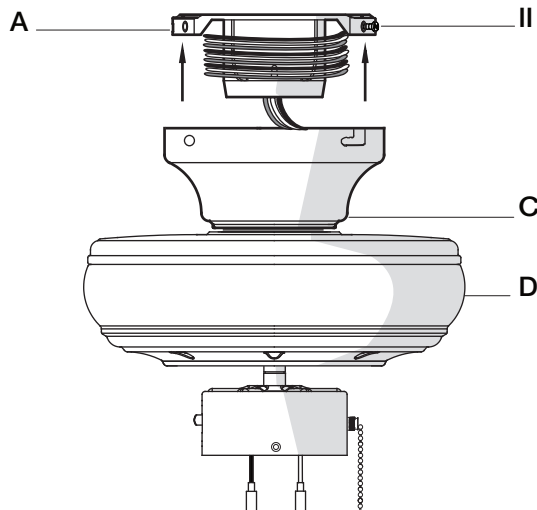
Assembly - Hanging the Fan (continued)

6 Mounting the fan-motor assembly (close-to-ceiling mount)



WARNING: The locking slots of ceiling canopy are provided only as an aid to mounting. Do not leave the fan assembly unattended until all four canopy screws are engaged and firmly tightened.

- Carefully unhook the fan from the mounting bracket (A) and align the locking slots of the ceiling canopy (C) with the two screws (II) in the mounting bracket (A). Push up to engage the slots and turn clockwise to lock in place. Immediately tighten the two mounting screws firmly.
- Install the two mounting screws (saved from Assembly Step 1 "Preparing for mounting" into the holes in the canopy (C) and tighten firmly.
- You may now proceed to attaching the fan blades.



Assembly - Attaching the Fan Blades

1 Fastening the blade brackets to the motor



WARNING: Remove the rubber motor stops on the bottom of the fan before installing the blades or testing the motor.

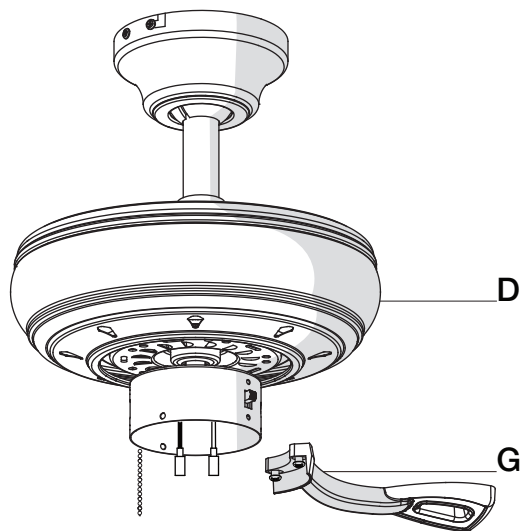


NOTE: Your fan features revolutionary advancements for quick and easy blade installation. Including an alignment post and captive blade bracket screws.



NOTE: Your fan blades are reversible. Select the blade side finish which best accentuates your decor.

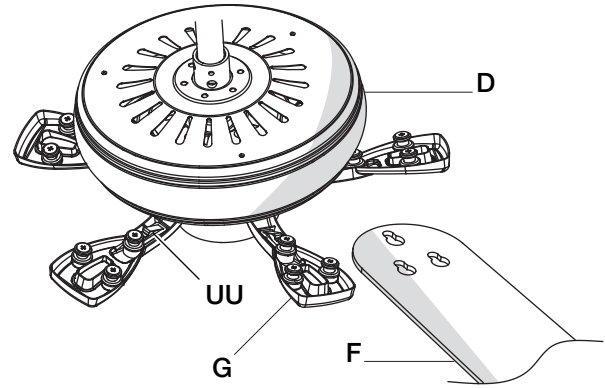
- Fasten the blade brackets (G) to the fan-motor assembly (D) by inserting the alignment post into the slot on the bottom of the motor and tightening the pre-installed blade bracket screws.
- Repeat this step for the remaining blade assemblies.



Assembly - Attaching the Fan Blades

2 Attaching the blades to the blade brackets

- Mount the fan blade (F) to the blade bracket (G) by aligning the three key-slot holes in the blade (F) with the three posts on the top of the blade bracket (G).
- Hold the blade (F) with both hands close to the blade bracket (G) down firmly. Ensure the key-slot holes are properly seated on the blade bracket (G) posts.
- While still holding the blade (F) down with both hands, firmly slide the blade (F) until it engages in the locking mechanism (UU). Make sure the locking mechanism (UU) at the rear of the blade bracket (G) springs upward and butts against the edge of the blade (F), indicating a secure connection.
- Visually inspect the top of the blade bracket (G) to ensure the locking mechanism is securely in place.
- Repeat this procedure for the remaining blades (F).



Assembly - Attaching the Lights

1 Attaching the light kit fitter assembly

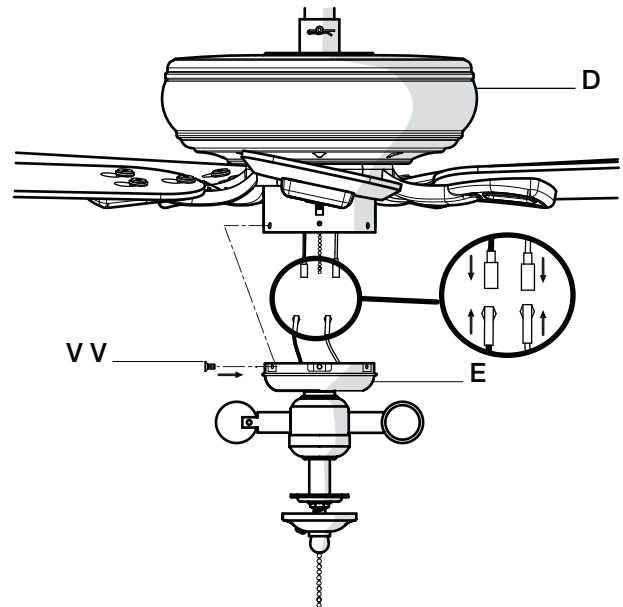


CAUTION: To reduce the risk of electric shock, disconnect the electrical supply circuit to the fan before installing the light fixture.



NOTE: Notice the location of the fan's slide switch. This is the switch used to change the fan's directional rotation. For more information on the operation of this switch, see *Operating Your Fan* on page 14.

- Remove the three screws (V V) on the switch cup cover of the light kit fitter assembly (E).
- Connect the wires from the light kit fitter assembly (E) to the wires from the switch cup of the fan-motor assembly (D) by connecting the molded adaptor plugs together (blue to black, white to white). Carefully tuck all wires and splices into the switch cup.
- Align the three holes in the switch cup cover of the light kit fitter assembly (E) with the three holes in the switch cup of the fan-motor assembly (D). Make sure the notch in the switch cup cover of the light kit fitter assembly (E) clears the reversing switch in the switch cup of the fan-motor assembly (D). Position the light kit fitter assembly (E) and re-install the three screws (V V) that were removed in first step to secure the light kit fitter assembly (E).



Assembly - Attaching the Lights

2 Installing the bulbs and shatter resistant bowl



WARNING: Allow the shatter resistant bowl to cool completely before removing.

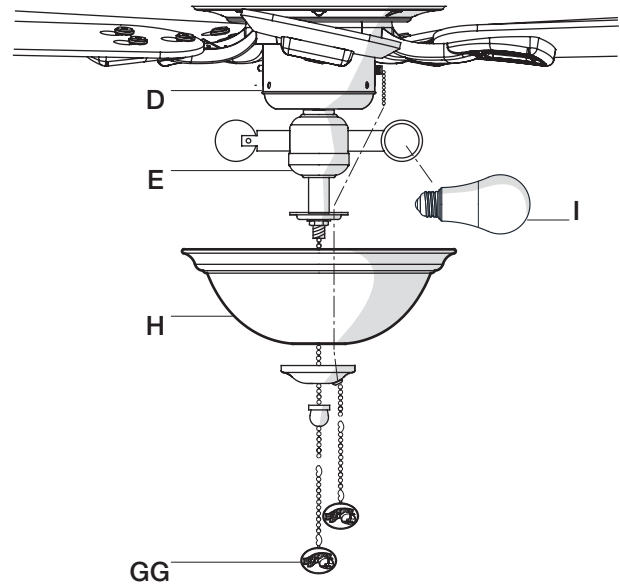


CAUTION: Make sure the power is off before attaching or removing the shatter resistant bowl.



CAUTION: Do not over tighten the hex nut, overtightening the hex nut may cause the shatter resistant bowl to break.

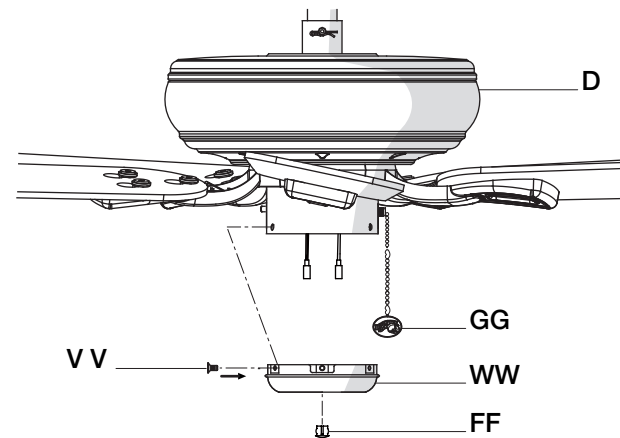
- ❑ Remove the finial and the bottom cover from the threaded nipple of the light kit fitter assembly (E).
- ❑ With the power off, install the two LED bulbs (I) by screwing them into the light bulb sockets.
- ❑ Position the shatter resistant bowl (H), re-install the bottom cover over the threaded nipple, and direct the fan pull chain through the side hole of the bottom cover.
- ❑ Re-install the finial over the threaded nipple and direct the light pull chain through the hole of the finial, and tighten the finial securely.
- ❑ Attach the pull chain extensions (GG) provided to the light pull chain and fan pull chain.



Assembly - Assembling the Fan Without the Light Kit

1 Assembling the fan without the light kit

- ❑ In order to use the fan without the light kit, remove the switch cup cover (WW) from the top of the light kit fitter assembly (E) by removing the center hex nut inside the switch cup cover (WW), and then thread the switch cup cover (WW) off of the threaded nipple on the top of the light kit fitter assembly (E).
- ❑ Press the plastic plug (FF) into the center hole of the switch cup cover (WW).
- ❑ Remove the three screws (V V) on the switch cup cover (WW).
- ❑ Align the three holes in the switch cup cover (WW) with the three holes in the switch cup of the fan-motor assembly (D). Make sure the notch in the switch cup cover (WW) clears the reversing switch in the switch cup of the fan-motor assembly (D).
- ❑ Re-install the three screws (V V) that were removed in first step to secure the switch cup cover (WW).



Operation

OPERATING YOUR FAN

Turn on the power and check the operation of the fan. The fan pull chain controls the fan speed as follows:

1 pull - High, 2 pulls - Medium, 3 pulls - Low, 4 pulls - off

The appropriate speed settings for warm or cool weather depends on factors such as the room size, ceiling height, and number of fans.

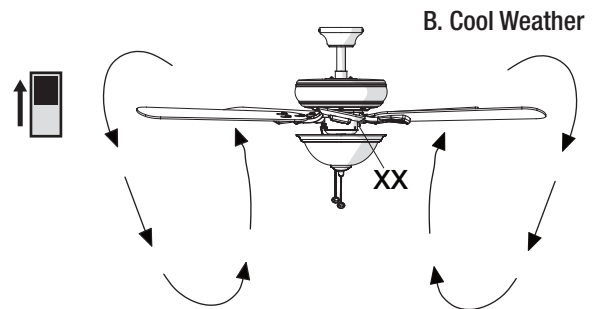
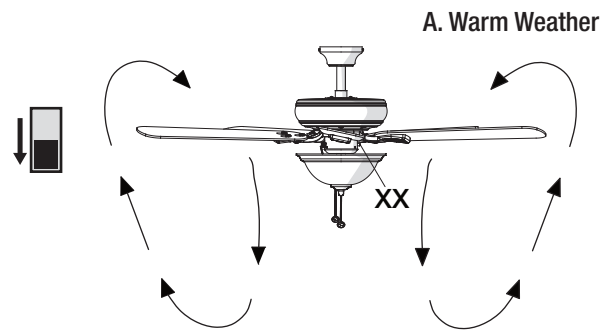
The slide switch (XX) controls the direction of the blades: forward (switch down) or reverse (switch up).



NOTE: Wait for the fan to stop before reversing the direction of the blade rotation.

A. Warm weather - (Forward) A downward airflow creates a cooling effect. This allows you to set your air conditioner on a higher setting without affecting your comfort.

B. Cool weather - (Reverse) An upward airflow moves warm air off of the ceiling. This allows you to set your heating unit on a lower setting without affecting your comfort.



Care and Cleaning



WARNING: Make sure the power is off before cleaning your fan.

- Because of the fan's natural movement, some connections may become loose. Check the support connections, brackets, and blade attachments twice a year. Make sure they are secure. It is not necessary to remove the fan from the ceiling.
- Clean your fan periodically to help maintain its new appearance over the years. Do not use water when cleaning, as this could damage the motor or the wood, or possibly cause an electrical shock. Use only a soft brush or lint-free cloth to avoid scratching the finish. The plating is sealed with a lacquer to minimize discoloration or tarnishing.
- You can apply a light coat of furniture polish to the wood for additional protection and enhanced beauty. Cover small scratches with a light application of shoe polish.
- You do not need to oil your fan. The motor has permanently-lubricated sealed ball bearings.

Troubleshooting

Problem	Solution
The fan will not start.	<ul style="list-style-type: none"><input type="checkbox"/> Check the main and branch circuit fuses or breakers.<input type="checkbox"/> Check the line wire connections to the fan and switch wire connections in the switch housing.
The fan is noisy.	<ul style="list-style-type: none"><input type="checkbox"/> Ensure all motor housing screws are snug.<input type="checkbox"/> Ensure the screws that attach the fan blade bracket to the motor hub are tight.<input type="checkbox"/> Ensure the wire nut connections are not rattling against each other or the interior wall of the switch housing.<input type="checkbox"/> Allow a 24-hour "breaking in" period. Most noises associated with a new fan disappear during this time.<input type="checkbox"/> If you are using the Ceiling Fan light kit, ensure the screws securing the glassware are tight. Check that the light bulbs are also secure.<input type="checkbox"/> Ensure the canopy is a short distance from the ceiling. It should not touch the ceiling.<input type="checkbox"/> Ensure your outlet box is secure and rubber isolator pads were used between the mounting plate and outlet box.
The fan wobbles.	<ul style="list-style-type: none"><input type="checkbox"/> Check that all blade and blade arm screws are secure.<input type="checkbox"/> Most fan wobble problems are caused when blade levels are unequal. Check this level by selecting a point on the ceiling above the tip of one of the blades. Measure from a point on the center of each blade to the point on the ceiling. Measure this distance. Rotate the fan until the next blade is positioned for measurement. Repeat for each blade. Any measurement deviation should be within 1/8 in. Run the fan for ten minutes. If the fan continues to wobble please contact Customer Service and a balancing kit will be sent to you at no charge.



Questions, problems, missing parts? Before returning to the store,
call Hampton Bay Customer Service
8 a.m. - 6 p.m., EST, Monday-Friday

1-855-HD-HAMPTON

HAMPTONBAY.COM

Retain this manual for future use.

Artículo núm. 1001 029 635, 1001 029 894

Modelo núm. 51563, 51564

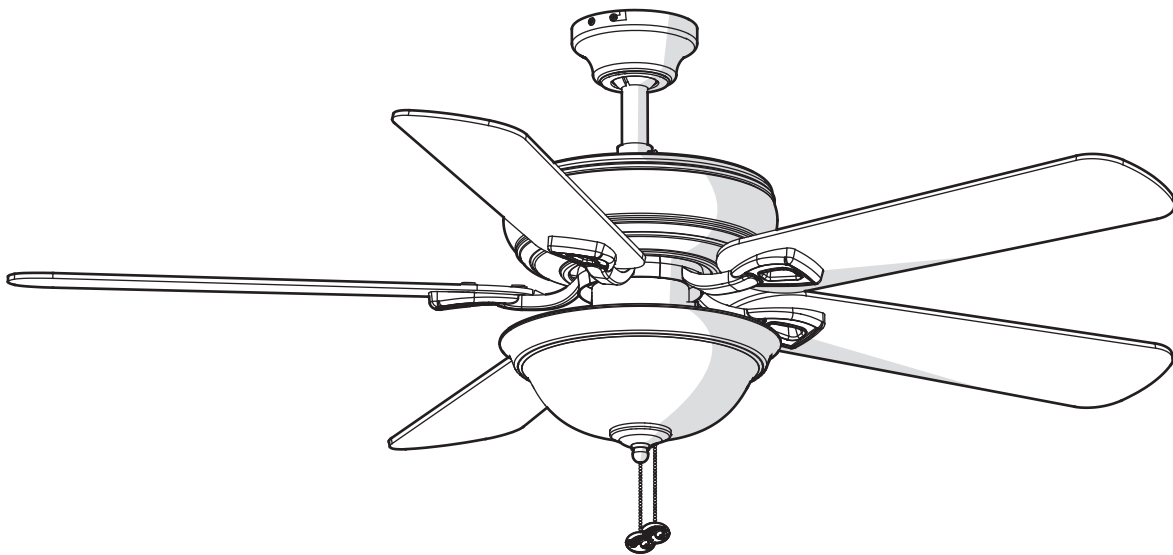
Modelo aprobado por

UL núm. 52-MLN



GUÍA DE USO Y MANTENIMIENTO

VENTILADOR DE TECHO ROTHLEY DE 1.32 M



¿Preguntas, problemas o piezas faltantes? Antes de regresar a la tienda,
llama al servicio al cliente de Hampton Bay
de lunes a viernes de 8 a.m. a 6 p.m. (hora estándar del Este)

1-855-HD-HAMPTON

HAMPTONBAY.COM

GRACIAS POR TU COMPRA

Apreciamos la confianza que has depositado en Hampton Bay al comprar este ventilador de techo. Nos esforzamos para continuamente crear productos de calidad diseñados para mejorar tu hogar. Visítanos por Internet para ver nuestra línea completa de productos disponibles para las necesidades de mejoras de tu hogar. ¡Gracias por elegir Hampton Bay!

Tabla de contenido

Tabla de contenido	2	Ensamblaje.....	7
Información de seguridad.....	2	Funcionamiento	14
Garantía	3	Mantenimiento y limpieza.....	15
Preinstalación	3	Solución de problemas	15
Instalación.....	6		

Información de seguridad

1. Para disminuir el riesgo de descarga eléctrica, asegúrate de cortar la electricidad del cortacircuitos o la caja de fusibles antes de comenzar.
2. Todo el cableado debe cumplir con el Código Nacional de Electricidad ANSI/NFPA 70-1999 y con los códigos locales de electricidad. La instalación eléctrica debe ser hecha por un electricista certificado y calificado.
3. La caja eléctrica y la estructura de soporte deben montarse de forma segura y tener capacidad para sostener de manera confiable 15.9 kg. Usa solamente cajas eléctricas aprobadas por UL marcadas como “apropiada para sostener ventiladores de 15.9 kg o menos”.
4. El ventilador debe ir montado con un mínimo de 2 m de separación entre el borde trasero de las aspas y el piso.
5. No muevas el interruptor de reversa mientras las aspas del ventilador estén en movimiento. Debes apagar y detener las aspas antes de dar reversa a la dirección de estas.
6. No coloques objetos en la trayectoria de las aspas.
7. Para evitar lesiones físicas o daños al ventilador y otros artículos, ten cuidado al limpiar el ventilador o al trabajar cerca de él.
8. Los diagramas eléctricos son solo para referencia. Los kits de luces no empaquetados con el ventilador deben estar aprobados por UL y marcados como apropiados para ser usados con el modelo de ventilador que estás instalando. Los interruptores deberán estar clasificados por UL como de uso general. Consulta las instrucciones adjuntas a los kits de luces e interruptores para obtener información sobre el ensamblaje adecuado.
9. Después de concluir las conexiones eléctricas, debes voltear los conductores empalmados hacia arriba y meterlos con cuidado en la caja eléctrica. Los cables deben estar separados con el cable a tierra y el conductor a tierra del equipo hacia uno de los lados de la caja eléctrica.
10. Todos los tornillos de fijación deben ser verificados y ajustados donde sea necesario antes de la instalación.



ADVERTENCIA: Para reducir el riesgo de lesiones personales, no dobles los soportes de las aspas (también llamados “bridas”) durante el ensamblaje ni después de la instalación. No coloques objetos en la trayectoria de las aspas.



ADVERTENCIA: Quita los tapones de goma del motor que están en la parte inferior del ventilador antes de instalar las aspas o probar el motor.



ADVERTENCIA: Para disminuir el riesgo de incendio o descarga eléctrica, no utilices este ventilador con ningún dispositivo de control de velocidad de estado sólido.



ADVERTENCIA: Para evitar una posible descarga eléctrica, corta la energía eléctrica en la caja principal de fusibles antes de instalar el cableado. Si crees que no tienes suficiente experiencia o conocimientos sobre cableado eléctrico, contrata a un electricista certificado.



ADVERTENCIA: Los diagramas eléctricos son solamente para referencia. Cualquier juego de luces opcional debe estar aprobado por UL y marcado como adecuado para ser usado con este ventilador.



ADVERTENCIA: Para reducir el riesgo de incendio, descarga eléctrica o lesiones personales, instala solo en una caja eléctrica clasificada como “apropiada para sostener ventiladores de 15.9 kg o menos” y usa los tornillos que vienen con esta.

Garantía

El proveedor garantiza de por vida, a partir de la fecha en que el comprador original lo adquiere, que el motor del ventilador no presenta defectos de fabricación ni de materiales al momento en que es enviado desde la fábrica. El proveedor también garantiza por un período de un año, a partir de la fecha de compra por el comprador original, que ninguna de las demás piezas del ventilador, sin incluir las aspas de vidrio o acrílico, presenta defectos de fabricación o de material en el momento de su salida de la fábrica. Acordamos reparar todos los defectos del tipo antes mencionado sin cargo alguno o, a nuestra discreción, reemplazar el producto por un modelo de igual calidad o superior si el producto es devuelto. Para obtener servicio de garantía, debe presentar una copia del recibo como comprobante de compra. Todos los costos de retiro y reinstalación del producto son su responsabilidad. Los daños a cualquiera de las piezas como resultado de accidentes, uso inadecuado, instalación inadecuada, o debidos a la instalación de cualquier accesorio, no están cubiertos bajo esta garantía. Debido a que las condiciones climáticas pueden variar, esta garantía no cubre ningún cambio en el acabado en bronce, incluyendo óxido, perforación, corrosión, manchas o descascaramiento. Los acabados en bronce de este tipo tienen una vida útil más prolongada cuando se los protege de las condiciones climáticas cambiantes. Es normal cierta "oscilación" y no se considerará un defecto. Cualquier servicio realizado por personal no autorizado invalidará la garantía. No existe ninguna otra garantía expresa. Mediante la presente, Hampton Bay se exime de cualquier garantía, incluyendo, entre otras, aquellas de comercialización e idoneidad para un fin particular, de acuerdo con lo contemplado por la ley. La duración de cualquier garantía implícita que no se pueda eximir está limitada al período de tiempo especificado en la garantía explícita. Algunos estados no permiten una limitación en la duración de la garantía; por consiguiente, la limitación anterior puede no aplicarse a su caso. El minorista no será responsable por daños directos, indirectos o especiales que resulten o deriven del uso o rendimiento del producto, excepto en casos en que lo estipule la ley. Algunos estados no permiten la exclusión o limitación de daños directos o indirectos, por lo que la limitación o exclusión anterior podría no aplicarse a su caso. Esta garantía le otorga derechos legales específicos y es posible que también tenga otros derechos que varían de un estado a otro. Esta garantía sustituye todas las garantías anteriores. Los costos de envío de cualquier devolución de productos hecha como parte de una reclamación de garantía están a cargo del cliente. Comuníquese con el equipo de servicio al cliente al 1-855-HD-HAMPTON o visite www.HamptonBay.com.

Preinstalación

ESPECIFICACIONES

Tamaño	Velocidad	Voltios	Amperes	Watts	RPM	CFM	Peso neto	Peso bruto	Pies cúbicos
1.32 m	Baja	120	0.21	10	65	1534	16.31 lb (7.4 kg)	18.74 lb (8.5 kg)	1.61 pies ³
	Media		0.34	26	105	3020			
	Alta		0.49	59	160	4488			



NOTA: Estas medidas son aproximadas. No incluyen ni el amperaje ni el vataje consumido por el kit de luces.

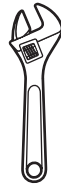
HERRAMIENTAS NECESARIAS



Destornillador
Phillips



Destornillador
plano



Llave
ajustable



Cinta de
electricista



Pelacables/
cortacables



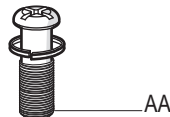
Escalera de tijera

Preinstalación (continuación)

HERRAJES INCLUIDOS



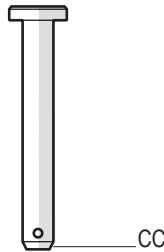
NOTA: No se muestra el tamaño real de los herrajes.



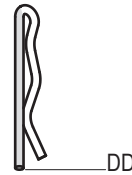
AA



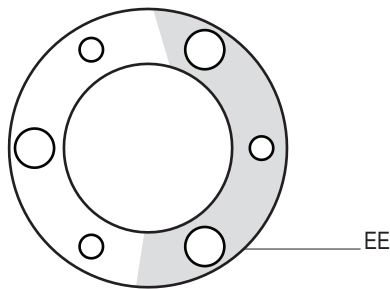
BB



CC



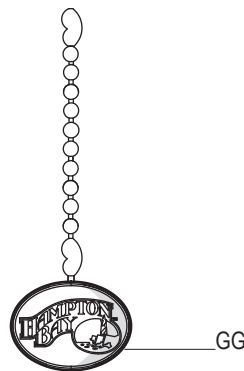
DD



EE



FF



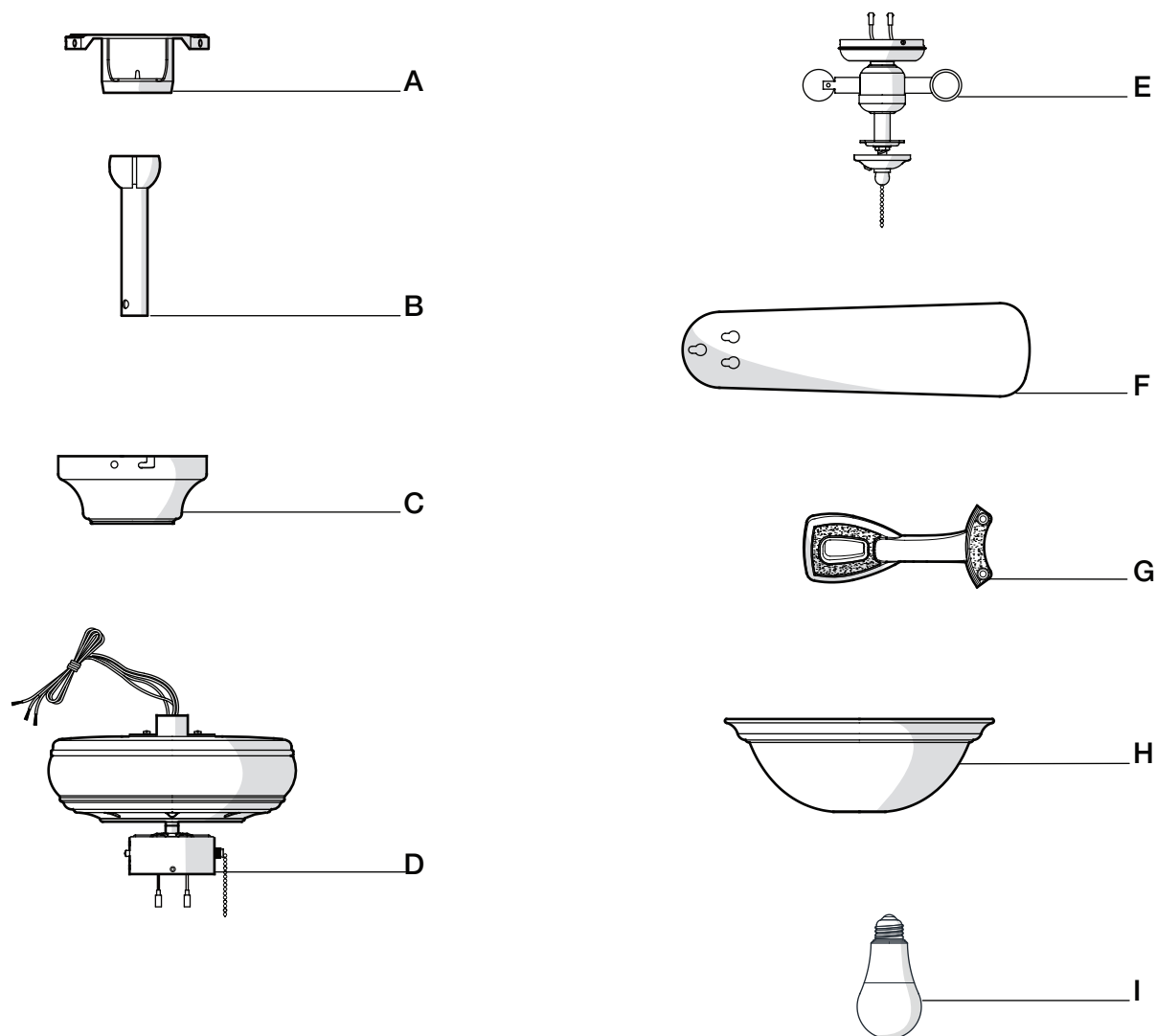
GG

Pieza	Descripción	Cantidad
AA	Tornillo adicional para soporte de aspas	1
BB	Conector plástico para cables	3
CC	Pasador de soporte	1
DD	Pasador de cierre	1
EE	Junta de goma	1

Pieza	Descripción	Cantidad
FF	Enchufe de plástico (para utilizar con el ventilador sin kit de luces)	1
GG	Interruptor de cadena	2

Preinstalación (continuación)

CONTENIDO DEL PAQUETE



Pieza	Descripción	Cantidad
A	Soporte de montaje deslizante (dentro de la cubierta)	1
B	Ensamblaje de tubo bajante/bola	1
C	Cubierta	1
D	Ensamblaje del motor del ventilador	1
E	Ensamblaje del soporte del kit de luces	1

Pieza	Descripción	Cantidad
F	Aspa	5
G	Soporte de aspa (con tornillos preinstalados)	5
H	Pantalla resistente a impactos	1
I	Bombillas LED (máximo de 9.5 W)	2



IMPORTANTE: Este producto o sus componentes están protegidos por una o más de las siguientes patentes de los EE. UU.: 5,947,436; 5,988,580; 6,010,110; 6,046,416, 6,210,117 y otras patentes pendientes.

Instalación

OPCIONES DE MONTAJE

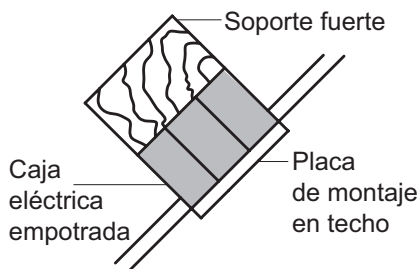
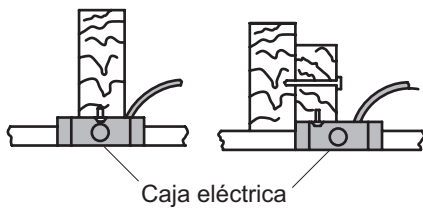
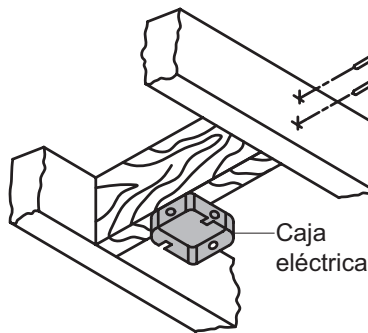


ADVERTENCIA: Para reducir el riesgo de incendio, descarga eléctrica o lesiones personales, instala en una caja eléctrica clasificada como “apropiada para sostener ventiladores de 15.9 kg o menos” y usa los tornillos que vienen con esta. Las cajas eléctricas utilizadas comúnmente para el soporte de lámparas pueden no servir como soporte de ventilador y tal vez deban reemplazarse. En caso de duda, consulta a un electricista calificado.

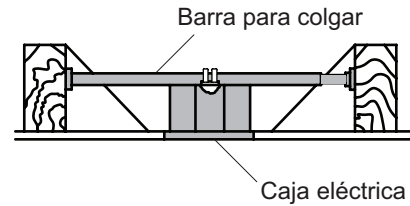
Si tu ventilador de techo no tiene una caja de montaje aprobada por UL, instala una siguiendo las instrucciones a continuación:

- ❑ Desconecta la energía retirando los fusibles o apagando los cortacircuitos.
- ❑ Asegura la caja eléctrica directamente a la estructura de la edificación. Usa sujetadores y materiales apropiados. La caja eléctrica y su soporte deben poder sostener el peso completo del ventilador en movimiento (al menos 15.9 kg). No uses una caja eléctrica de plástico.

Las ilustraciones a continuación muestran tres formas distintas de montar la caja eléctrica.



NOTA: Tal vez necesites un tubo bajante más largo para mantener la altura mínima adecuada de las aspas al instalar el ventilador en un techo inclinado. El ángulo máximo permitido es de 20° de la posición horizontal.



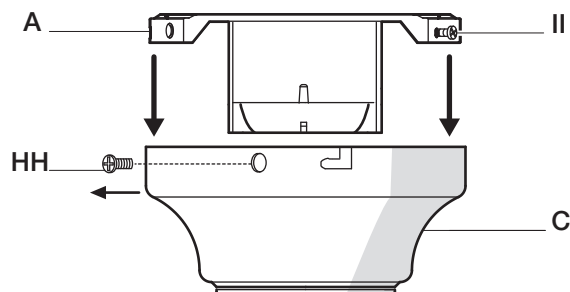
Si la cubierta (C) toca el ensamblaje del tubo bajante/bola (B), retira la tapa inferior decorativa de la cubierta y gira la cubierta (C) 180° antes de fijarla a la placa de montaje.

Para colgar el ventilador donde ya haya una lámpara pero ninguna viga de techo, tal vez necesites una barra de instalación colgante como se muestra arriba (disponible en cualquier tienda de The Home Depot).

Ensamblaje - Montaje estándar en techo

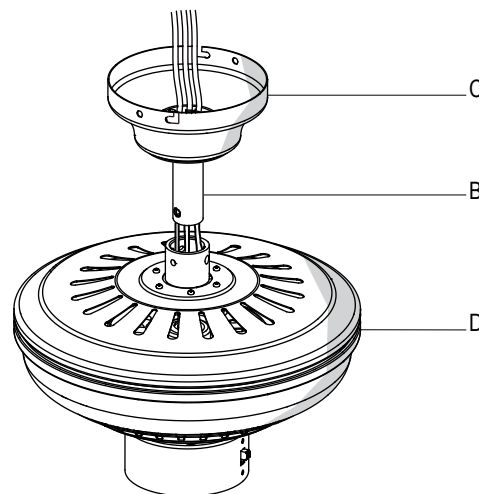
1 Preparación para montaje estándar

- Retira el soporte de montaje (A) de la cubierta (C) aflojando los dos tornillos de la cubierta (II) ubicados en las ranuras en forma de "L".
- Quita y guarda los dos tornillos de la cubierta (HH) en los orificios redondos. Esto te permitirá retirar el soporte de montaje (A).



2 Disposición de los cables

- Asegúrate de que las ranuras estén en la parte superior y pasa los cables existentes sobre la parte superior del ensamblaje del motor del ventilador (D) a través de la cubierta (C) y luego a través del ensamblaje del tubo bajante/bola (B).

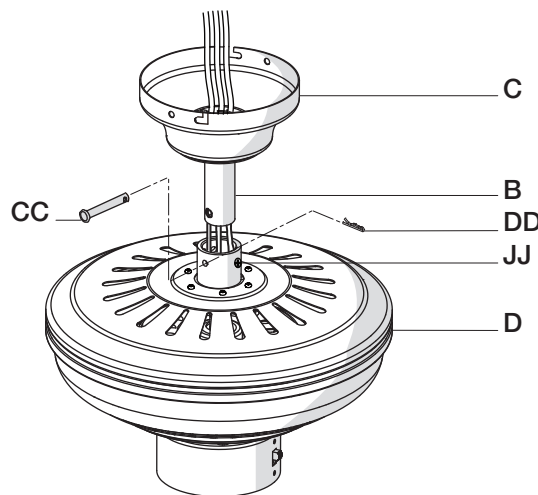


3 Cómo ensamblar el ventilador



ADVERTENCIA: Si el pasador de cierre no se instala correctamente (DD), es posible que el ventilador se afloje y caiga.

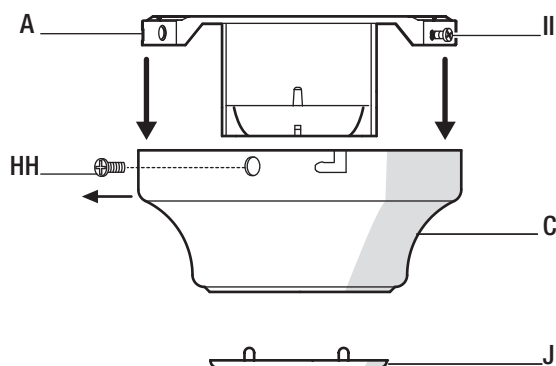
- Afloja, sin quitar, los tornillos de fijación (JJ) del collarín ubicados en la parte superior del ensamblaje del motor del ventilador (D).
- Alinea los orificios en la parte inferior del ensamblaje del tubo bajante/bola (B) con los orificios en el collarín de la parte superior del ensamblaje del motor del ventilador (D).
- Inserta con cuidado el pasador de soporte (CC) a través de los orificios del collarín y del ensamblaje del tubo bajante/bola (B). Ten cuidado de no forzar el pasador de soporte (CC) contra el cableado dentro del ensamblaje del tubo bajante/bola (B).
- Inserta el pasador de cierre (DD) en el orificio cercano al extremo del pasador de soporte (CC) hasta que quede encajado en su posición.
- Vuelve a apretar los tornillos (JJ) del collarín ubicados en la parte superior del ensamblaje del motor del ventilador (D).



Ensamblaje – Montaje cerca del techo

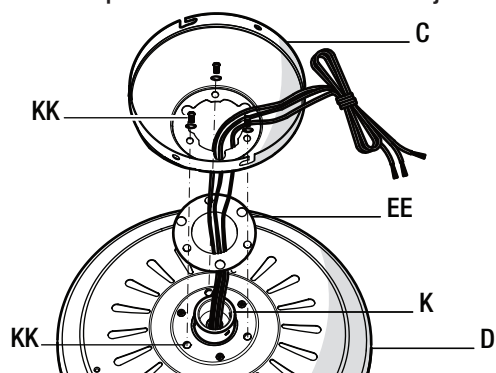
1 Preparación para el montaje

- ❑ Retira el soporte de montaje (A) de la cubierta (C) aflojando los dos tornillos de la cubierta (II) ubicados en las ranuras en forma de “L”.
- ❑ Quita y guarda los dos tornillos de la cubierta (HH) en los orificios redondos. Esto te permitirá retirar el soporte de montaje (A).
- ❑ Retira la cubierta inferior decorativa (J) de la cubierta (C) oprimiendo los tres pernos.



2 Disposición de los cables

- ❑ Quita tres de los seis tornillos y arandelas de seguridad (KK) (alternados) que sujetan el collarín del motor (K) a la parte superior del ensamblaje del motor del ventilador (D).
- ❑ Pasa los cables que salen de la parte superior del ensamblaje del motor del ventilador (D) a través de la junta de goma (EE) y alinea los orificios de la junta de goma (EE) con los tres orificios para los tornillos del ensamblaje del motor del ventilador (E). Luego, pásalos a través de la cubierta (C) (asegúrate de que las aberturas de las ranuras estén en la parte superior).
- ❑ Coloca la cubierta (C) sobre el collarín en la parte superior del ensamblaje del motor del ventilador (D), alinea los orificios de montaje con los orificios del motor, y asegura con los tres tornillos y arandelas de seguridad (KK) que quitaste anteriormente. Aprieta bien los tornillos de montaje.



Ensamblaje - Cómo colgar el ventilador

1 Cómo fijar el ventilador a la caja eléctrica

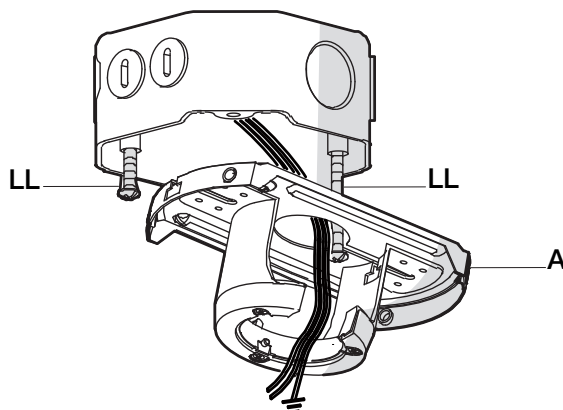


ADVERTENCIA: Para reducir el riesgo de incendio, descarga eléctrica o lesiones personales, instala en una caja eléctrica clasificada como “apropiada para sostener ventiladores de 15.9 kg o menos” y usa los tornillos que vienen con esta.



NOTA: El soporte de montaje (A) está diseñado para ser colocado sobre una caja eléctrica con los tornillos de esta (LL).

- ❑ Pasa los cables de suministro de 120 voltios a través del orificio central en el soporte de montaje deslizante (A).
- ❑ Instala el soporte de montaje deslizante (A) sobre la caja eléctrica deslizando el soporte de montaje (A) sobre los dos tornillos (LL) suministrados con la caja eléctrica. Si es necesario, usa arandelas niveladoras (no se incluyen) entre el soporte de montaje deslizante (A) y la caja eléctrica. El lado plano del soporte de montaje deslizante (A) debe estar hacia la caja eléctrica, como se muestra.
- ❑ Ajusta bien los dos tornillos de montaje (LL).



Ensamblaje - Cómo colgar el ventilador

2 Cómo colgar el ventilador



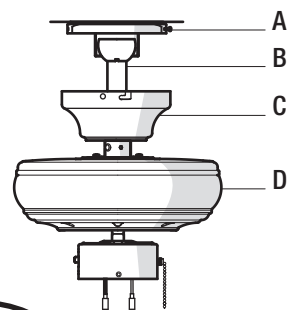
ADVERTENCIA: El gancho (MM) debe usarse para sostener el ventilador solamente mientras se hacen las conexiones eléctricas. Si no se cuelga como se muestra puede romperse el gancho (MM) y el ventilador se caerá. El gancho debe pasar de adentro hacia fuera de la cubierta.



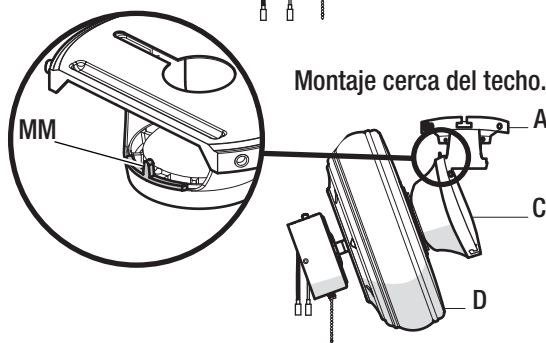
ADVERTENCIA: Al colgar el ventilador en el gancho (MM), es fundamental que uses uno de los orificios sin ranura (redondos) de la cubierta (C).

- Con cuidado, levanta el ensamblaje del motor del ventilador (D) hasta el soporte de montaje deslizante (A).
- Inserta la bola de soporte del ensamblaje del tubo bajante/bola en el casquillo del soporte de montaje deslizante (A).
- Gira el ensamblaje del tubo bajante/bola en el sentido de las manecillas del reloj hasta que quede encajado, con la pestaña del soporte de montaje alineada con la ranura de la bola.
- Si usas el montaje cerca del techo, cuelga el ventilador del gancho suministrado usando uno de los orificios redondos en el borde exterior de la cubierta de techo (C).

Montaje estándar.



Montaje cerca del techo.



Ensamblaje - Cómo colgar el ventilador (continuación)

3 Cómo hacer las conexiones eléctricas



ADVERTENCIA: Cada cable no suministrado con este ventilador está diseñado para aceptar un máximo de un solo circuito eléctrico doméstico de calibre 12 y dos cables del ventilador. Si tienes un cableado doméstico superior a calibre 12 o más de un cable doméstico para conectar al cableado del ventilador, consulta a un electricista para conocer el tamaño adecuado de las tuercas para cables a usar.



ADVERTENCIA: Quita los tapones de goma del motor en la parte inferior del ventilador antes de instalar las aspas o de verificar el motor.



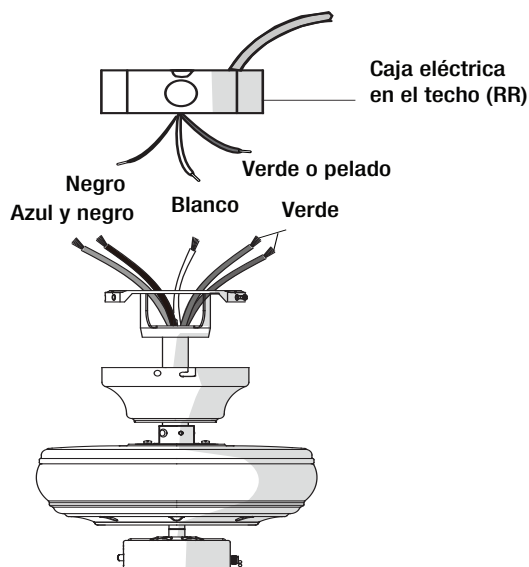
IMPORTANTE: Usa los conectores de cables plásticos (BB) incluidos con tu ventilador. Sujeta los conectores con cinta de electricista y asegúrate de que no haya conexiones o cables sueltos.



NOTA: El ventilador viene con cables terminales de 1.37 m para usar con un ensamblaje extendido de tubo bajante/bola. Si usas el ensamblaje extendido de tubo bajante/bola (B) de 11.4 cm incluido, puedes recortar los cables terminales al largo deseado (no menos de 30.5 cm).

- El ventilador viene con cables terminales de 1.37 m para uso con un ensamblaje extendido de tubo bajante/bola. Si usas el ensamblaje extendido de tubo bajante/bola (B) de 11.4 cm incluido, puedes recortar los cables terminales al largo deseado (no menos de 30.5 cm). Esto dejará más espacio en la cubierta (C). Si no quieres cortar los cables, deberás enrollarlos cuidadosamente.

- Conecta los cables verdes del motor del ventilador a los cables verde o pelado del hogar usando una tuerca de conexión de cables (BB).
- Conecta el cable blanco del motor del ventilador al cable blanco del hogar usando una tuerca de conexión de cables (BB).
- Conecta los cables negro o azul del motor del ventilador al cable negro del hogar usando una tuerca de conexión de cables (BB).
- Asegura cada tuerca de conexión de cables con cinta de electricista.
- Gira la tuerca de conexión de cables (BB) hacia arriba y coloca el cableado dentro de la caja eléctrica (RR).



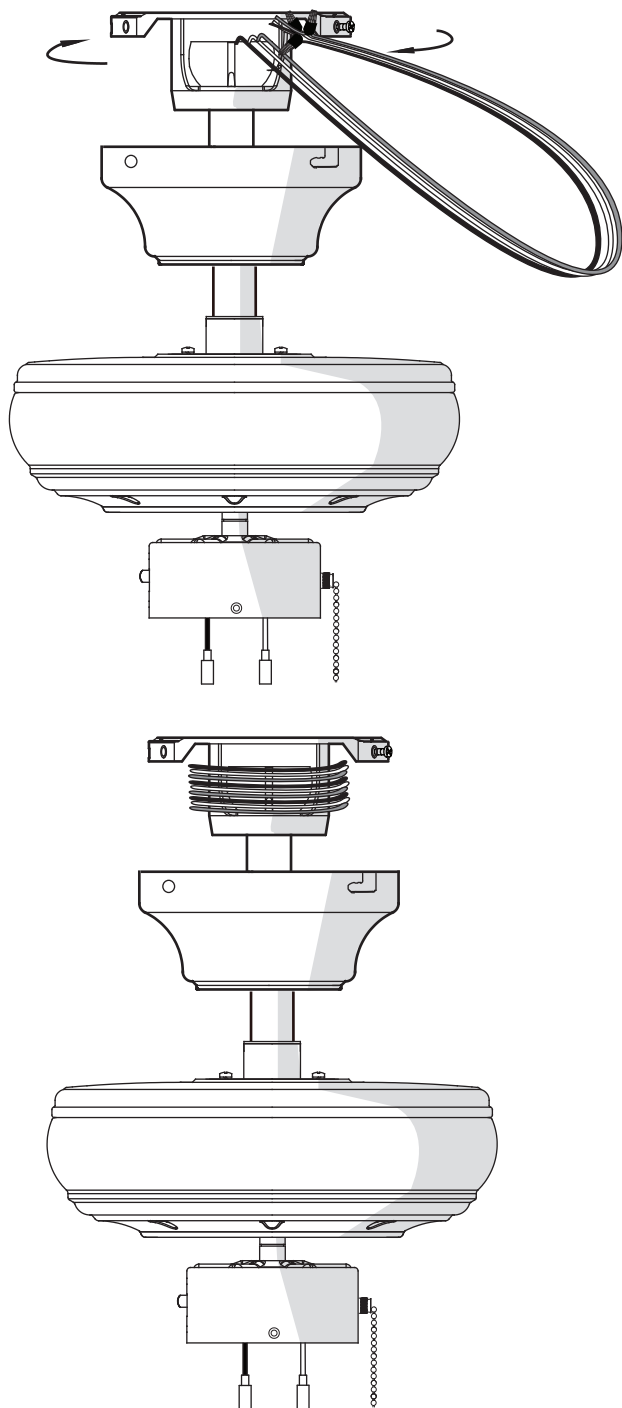
Ensamblaje - Cómo colgar el ventilador (continuación)

4 Cómo enrollar el cable sobrante



NOTA: Sigue estos pasos SOLAMENTE si no cortaste el cable sobrante del ventilador de techo.

- Con cuidado, enrolla el exceso de cable alrededor del soporte de montaje.
- Asegura con cinta de electricista.



5 Cómo montar el ensamblaje del motor del ventilador (montaje estándar)

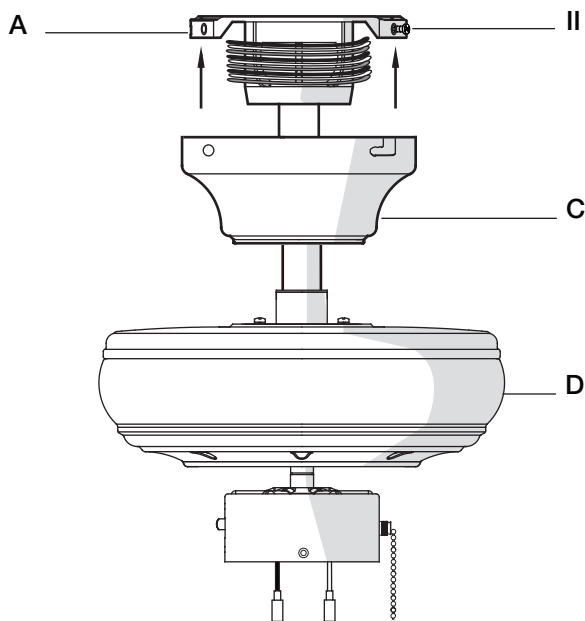


ADVERTENCIA: Cuando uses el ensamblaje del tubo bajante/bola estándar, la pestaña en el aro en la parte inferior del soporte de montaje debe encajar en la ranura de la bola de soporte. Si la pestaña no se asienta correctamente en la ranura, se puede dañar el cableado.



ADVERTENCIA: Las ranuras de cierre de la cubierta del techo solo sirven de ayuda durante la instalación. No dejes sin supervisión el ensamblaje del ventilador hasta que los cuatro tornillos de la cubierta estén fijos y firmemente ajustados.

- Alinea las ranuras de cierre de la cubierta de techo (C) con los dos tornillos (II) del soporte de montaje (A). Alza para enganchar las ranuras y gira de izquierda a derecha para asegurarla en su sitio.
- Ajusta firmemente los dos tornillos de montaje.
- Instala los dos tornillos de montaje (guardados en el paso 1 del ensamblaje, "Preparación para el montaje") en los orificios de la cubierta (C) y aprieta firmemente.



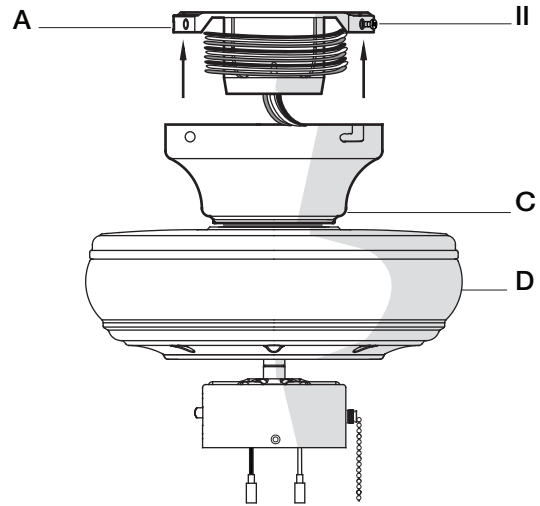
Ensamblaje - Cómo colgar el ventilador (continuación)

6 Cómo montar el ensamblaje del motor del ventilador (montaje cerca del techo)



ADVERTENCIA: Las ranuras de cierre de la cubierta del techo solo sirven de ayuda durante la instalación. No dejes sin supervisión el ensamblaje del ventilador hasta que los cuatro tornillos de la cubierta estén fijos y firmemente ajustados.

- ❑ Con cuidado, desengancha el ventilador del soporte de montaje (A) y alinea las ranuras de cierre de la cubierta del techo (C) con los dos tornillos (II) en el soporte de montaje (A). Alza para enganchar las ranuras y gira de izquierda a derecha para asegurarla en su sitio. Inmediatamente, ajusta con firmeza los dos tornillos de montaje.
- ❑ Instala los dos tornillos de montaje (guardados en el paso 1 del ensamblaje, "Preparación para el montaje") en los orificios de la cubierta (C) y aprieta firmemente.
- ❑ Ahora puedes fijar las aspas del ventilador.



Ensamblaje - Cómo fijar las aspas del ventilador

1 Cómo fijar los soportes de las aspas al motor



ADVERTENCIA: Quita los tapones de goma del motor en la parte inferior del ventilador antes de instalar las aspas o de verificar el motor.

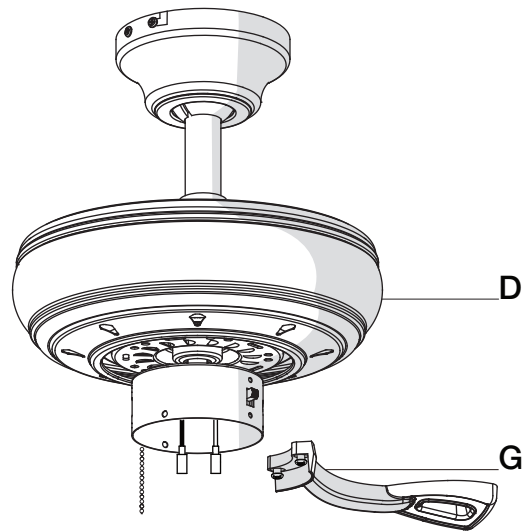


NOTA: Tu ventilador cuenta con avances novedosos para facilitar y acelerar la instalación de las aspas. Esto incluye un poste de alineación y tornillos fijos para el soporte de las aspas.



NOTA: Las aspas de tu ventilador son reversibles. Elige el acabado del asa que mejor resalte tu decoración.

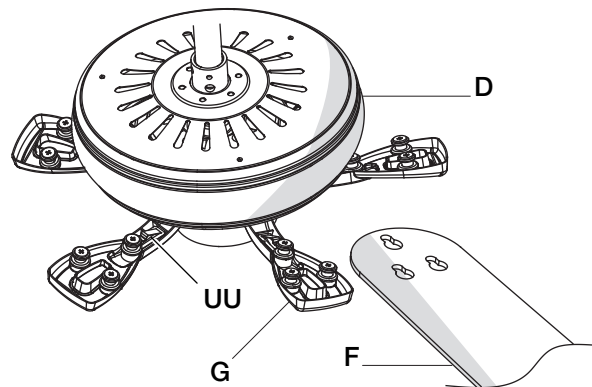
- ❑ Ajusta los soportes del asa (G) al ensamblaje del motor del ventilador (D) insertando el poste de alineación dentro de la ranura de la parte inferior del motor y ajustando los tornillos del soporte de las aspas preinstaladas.
- ❑ Repite este paso para los ensamblajes de asa restantes.



Ensamblaje - Cómo fijar las aspas del ventilador

2 Cómo fijar las aspas a los soportes de las aspas

- Monta las aspas del ventilador (F) al soporte del aspa (G) alineando los tres orificios tipo ojo de cerradura en el aspa (F) con los tres postes de la parte superior de los soportes de las aspas (G).
- Sostén el aspa (F) con ambas manos cerca del soporte del aspa (G) hacia abajo con firmeza. Asegúrate de que los orificios tipo ojo de cerradura estén correctamente apoyados sobre los postes del soporte del aspa (G).
- Mientras sujetas el aspa (F) con ambas manos, desliza el aspa (F) con firmeza hasta se acople al mecanismo de cierre (UU). Asegúrate de que el mecanismo de cierre (UU) en la parte posterior del soporte del aspa (G) se eleve y haga tope contra el borde del aspa (F), lo que indicará una conexión segura.
- Revisa la parte superior del soporte del aspa (G) para garantizar que el mecanismo de cierre esté asegurado en su lugar.
- Repite este procedimiento para las aspas restantes (F).



Ensamblaje - Cómo instalar las lámparas

1 Cómo instalar el ensamblaje del soporte del kit de luces

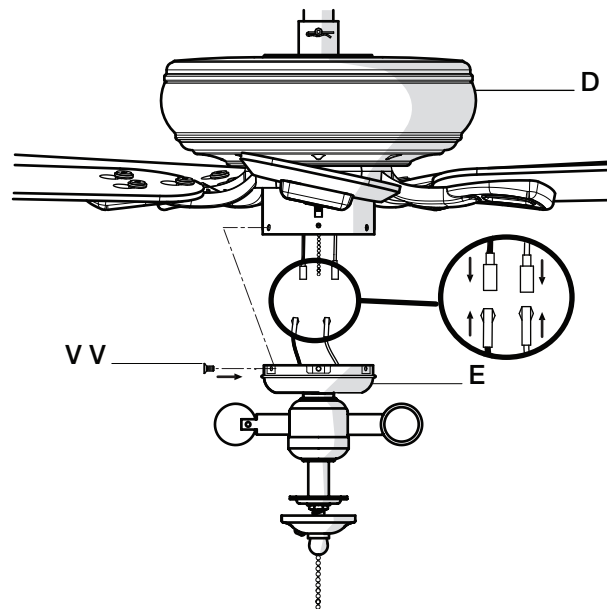


PRECAUCIÓN: Para disminuir el riesgo de descarga eléctrica, desconecta el circuito de energía del ventilador antes de instalar la lámpara.



NOTA: Marca la posición del interruptor deslizante del ventilador. Este es el interruptor utilizado para cambiar la dirección de rotación del ventilador. Para más información sobre la operación del interruptor, consulta *Cómo usar tu ventilador* en la página 14.

- Quita los tres tornillos (VV) en la cubierta de la caja del interruptor del ensamblaje del soporte del kit de luces (E).
- Conecta los cables del ensamblaje del soporte del kit de luces (E) a los cables de la caja del interruptor del ensamblaje del motor del ventilador (D), usando los enchufes con adaptadores moldeados (azul con negro, blanco con blanco). Coloca con cuidado todos los cables y empalmes dentro de la caja del interruptor.
- Alinea los tres orificios de la cubierta de la caja del interruptor del ensamblaje del soporte del kit de luces (E) con los tres orificios en la caja del interruptor del ensamblaje del motor del ventilador (D). Asegúrate de que la muesca en la cubierta de la caja del interruptor del soporte del kit de luces (E) permita que el interruptor de reversa en la caja del interruptor del ensamblaje del motor del ventilador (D) se mueva libremente. Coloca el ensamblaje del soporte del kit de luces (E) y vuelve a colocar los tres tornillos (VV) que fueron retirados en el primer paso para asegurar el ensamblaje del soporte del kit de luces (E).



Ensamblaje - Cómo instalar las lámparas

2 Cómo instalar las bombillas y el tazón resistente al impacto



ADVERTENCIA: Espera que el tazón resistente al impacto se enfríe completamente antes de retirarlo.

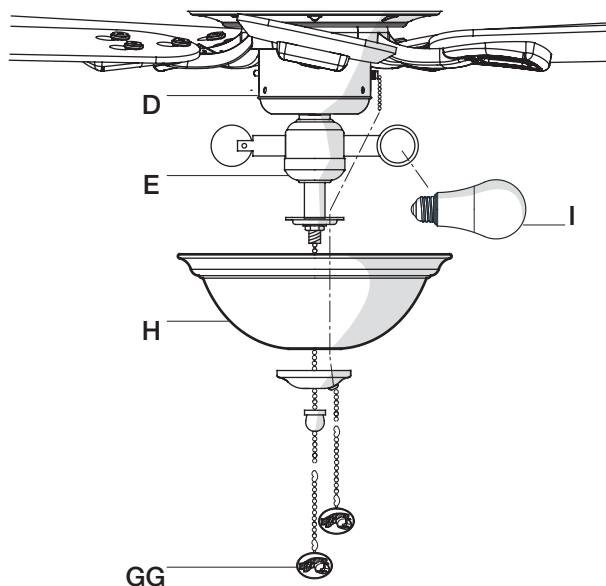


PRECAUCIÓN: Asegúrate de que la corriente esté cortada antes de montar o retirar el tazón resistente al impacto.



PRECAUCIÓN: No aprietes demasiado la tuerca hexagonal, ya que podrías romper el tazón resistente al impacto.

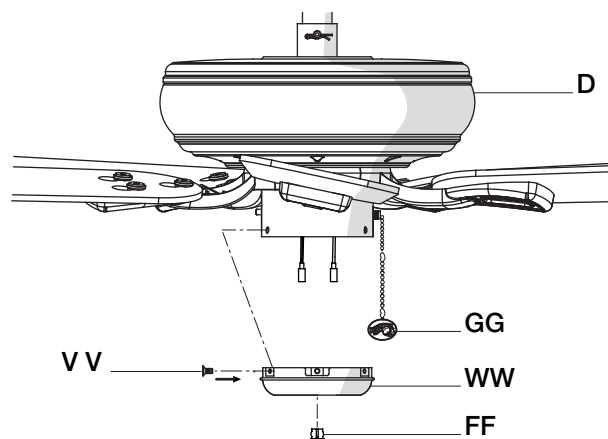
- ❑ Retira el remate y la cubierta inferior de la boquilla roscada del ensamblaje del soporte del kit de luces (E).
- ❑ Con la electricidad apagada, instala las dos bombillas LED (I), enroscándolas en los portabombillas.
- ❑ Coloca el tazón resistente al impacto (H), vuelve a colocar la cubierta inferior sobre la boquilla roscada y pasa la cadena del interruptor del ventilador a través del orificio lateral en la cubierta inferior.
- ❑ Vuelve a colocar el remate sobre la boquilla roscada y pasa la cadena del interruptor de las luces a través del orificio del remate y ajústalo bien.
- ❑ Instala las extensiones de las cadenas de interruptores (GG) incluidas, tanto para la del interruptor de luces como para la del ventilador.



Ensamblaje - Cómo ensamblar el ventilador sin el kit de luces

1 Cómo ensamblar el ventilador sin el kit de luces

- ❑ Con el fin de utilizar el ventilador sin el kit de luces, retira la cubierta de la caja del interruptor (WW) ubicado en la parte superior del soporte del kit de luces (E), retirando la tuerca hexagonal del centro dentro de la cubierta de la caja del interruptor (WW) y desenroscando esta cubierta de la caja del interruptor (WW) de la boquilla roscada sobre el soporte del kit de luces (E).
- ❑ Empuja el tapón plástico (FF) dentro del orificio central de la cubierta de la caja del interruptor (WW).
- ❑ Quita los tres tornillos (V V) en la cubierta de la caja del interruptor (WW).
- ❑ Alinea los tres orificios de la cubierta de la caja del interruptor (WW) con los tres orificios en la caja del interruptor del ensamblaje del motor del ventilador (D). Asegúrate de que la muesca en la cubierta de la caja del interruptor (WW) permita que el interruptor de reversa en la caja del interruptor del ensamblaje del motor del ventilador (D) se mueva libremente.
- ❑ Vuelve a colocar los tres tornillos (V V) que fueron retirados en el primer paso para asegurar la cubierta de la caja del interruptor (WW).



Funcionamiento

CÓMO USAR TU VENTILADOR

Enciende la electricidad y verifica el funcionamiento del ventilador. La cadena del interruptor controla las velocidades del ventilador de la siguiente manera:

1 vez: alta, 2 veces: media, 3: baja y 4: apagado.

Las configuraciones de velocidad apropiadas para clima cálido o frío dependen de factores como el tamaño de la habitación, la altura del techo y la cantidad de ventiladores.

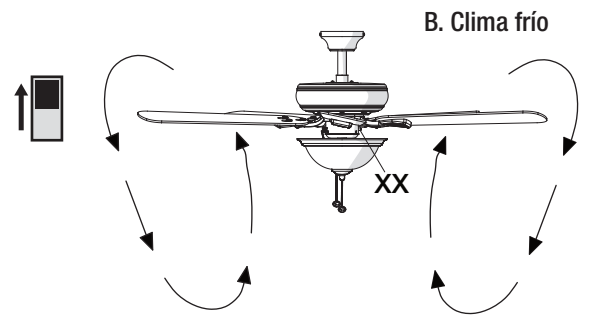
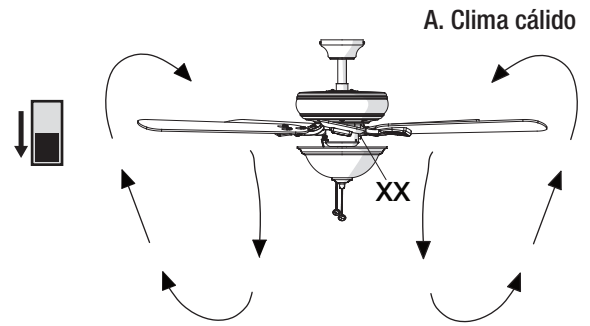
El interruptor deslizable (XX) controla la dirección de las aspas: hacia adelante (interruptor hacia abajo) o reversa (interruptor hacia arriba).



NOTA: Espera a que se detenga el ventilador antes de invertir la dirección de giro de las aspas.

A. Clima cálido - (Hacia adelante) Un flujo de aire descendente crea un efecto refrescante. Esto te permite fijar el aire acondicionado en una configuración más alta sin afectar tu comodidad.

B. Clima frío - (Reversa) Un flujo de aire hacia arriba mueve el aire cálido lejos del techo. Esto te permite fijar tu unidad de calefacción en una configuración más baja sin afectar tu comodidad.



Mantenimiento y limpieza



ADVERTENCIA: Asegúrate de que la corriente esté apagada antes de limpiar el ventilador.

- Debido al movimiento natural del ventilador, algunas conexiones pueden aflojarse. Revisa las conexiones de soporte, los soportes y los accesorios de las aspas dos veces al año. Verifica que estén seguros. No es necesario desmontar el ventilador del techo.
- Limpia tu ventilador con frecuencia, para que luzca como nuevo con el paso de los años. No uses agua al limpiar, esto puede dañar el motor o la madera, o causar descargas eléctricas. Usa solamente un cepillo suave o un paño sin pelusas para evitar arañar el acabado. El revestimiento está sellado con laca para minimizar la decoloración u opacidad.
- Puedes aplicar a la madera una fina capa de pulimento para muebles para una mayor protección y belleza. Cubre los arañazos pequeños con una leve aplicación de lustrador para calzado.
- No necesitas lubricar el ventilador. El motor tiene cojinetes de bola sellados permanentemente lubricados.

Solución de problemas

Problema	Solución
El ventilador no enciende.	<ul style="list-style-type: none"><input type="checkbox"/> Verifica los fusibles o disyuntores principales y secundarios.<input type="checkbox"/> Verifica las conexiones de cables en línea al ventilador y conexiones de cables del interruptor en la caja de interruptores.
El ventilador hace ruido.	<ul style="list-style-type: none"><input type="checkbox"/> Asegúrate de que todos los tornillos de la carcasa del motor estén ajustados.<input type="checkbox"/> Asegúrate de que los tornillos que unen el soporte de aspa al cuerpo del motor están bien ajustados.<input type="checkbox"/> Asegúrate de que las conexiones de tuerca de cable no choquen unas con otras o con la pared interior de la caja del interruptor.<input type="checkbox"/> Espera que transcurra un período de 24 horas de “adaptación”. La mayoría de los ruidos asociados con un nuevo ventilador desaparecen en ese período.<input type="checkbox"/> Si usas el kit de luces del ventilador de techo, asegúrate de que los tornillos que sujetan el vidrio estén bien colocados. Verifica que las bombillas estén bien aseguradas.<input type="checkbox"/> Asegúrate de que la cubierta esté a una corta distancia del techo. No debe tocar el techo.<input type="checkbox"/> Asegúrate de que la caja eléctrica esté bien segura y que las almohadillas aislantes de goma se hayan instalado entre la placa de montaje y la caja eléctrica.
El ventilador oscila.	<ul style="list-style-type: none"><input type="checkbox"/> Verifica que todas las aspas y los tornillos de los brazos de aspas estén seguros.<input type="checkbox"/> La mayoría de los problemas de oscilación del ventilador se deben a que las aspas no están a un mismo nivel. Verifica este nivel seleccionando un punto en el techo sobre la punta de una de las aspas. Mide desde un punto en el centro de cada aspa al punto en el techo. Mide esta distancia. Gira el ventilador hasta que la próxima aspa quede posicionada para medir. Repite para cada aspa. Las desviaciones de la medición deben estar dentro de un rango de 3 mm. Enciende el ventilador durante diez minutos. Si el ventilador continúa oscilando, comunícate con el servicio al cliente y te enviarán un kit de compensación de aspas, sin costo alguno.



¿Preguntas, problemas o piezas faltantes? Antes de regresar a la tienda,
llama al servicio al cliente de Hampton Bay
de lunes a viernes de 8 a.m. a 6 p.m. (hora estándar del Este)

1-855-HD-HAMPTON

HAMPTONBAY.COM

Conserva este manual para uso futuro.