



OPERATOR'S MANUAL

MANUEL D'UTILISATION

MANUAL DEL OPERADOR

18V PRUNING SHEAR

SÉCATEUR 18 V

TIJERAS DE PODAR DE 18 V

P2504

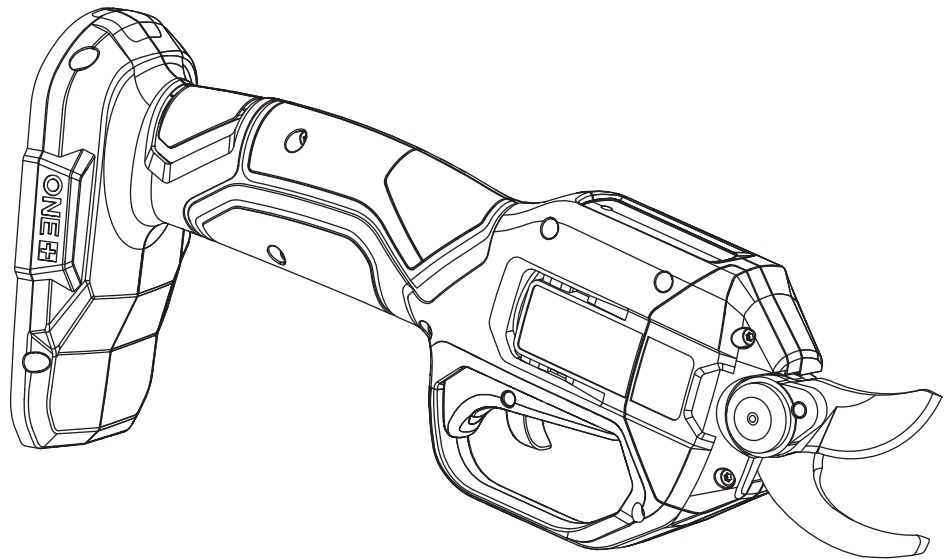


TABLE OF CONTENTS

- General Power Tool Safety Warnings 2-3
- Pruning Shear Safety Warnings4
- Symbols 5-6
- Features6
- Assembly7
- Operation 8-9
- Maintenance 9-10
- Parts Ordering/Service..... Back Page

TABLE DES MATIÈRES

- Instructions de sécurité générales pour outils électriques..... 2-3
- Avertissements de sécurité pour les sécateurs4
- Symboles 5-6
- Caractéristiques6
- Assemblage7
- Utilisation 8-9
- Entretien 9-10
- Commande de pièces/réparation..... Page arrière

ÍNDICE DE CONTENIDO

- Advertencias de seguridad para herramientas eléctricas..... 2-3
- Advertencias de seguridad de las tijeras de podar4
- Símbolos 5-6
- Características6
- Armado7
- Funcionamiento 8-9
- Mantenimiento 9-10
- Pedidos de piezas/servicio Pág. posterior

⚠ WARNING: To reduce the risk of injury, the user must read and understand the operator's manual before using this product.

⚠ AVERTISSEMENT : Pour réduire les risques de blessures, l'utilisateur doit lire et veiller à bien comprendre le manuel d'utilisation avant d'employer ce produit.

⚠ ADVERTENCIA: Para reducir el riesgo de lesiones, el usuario debe leer y comprender el manual del operador antes de usar este producto.

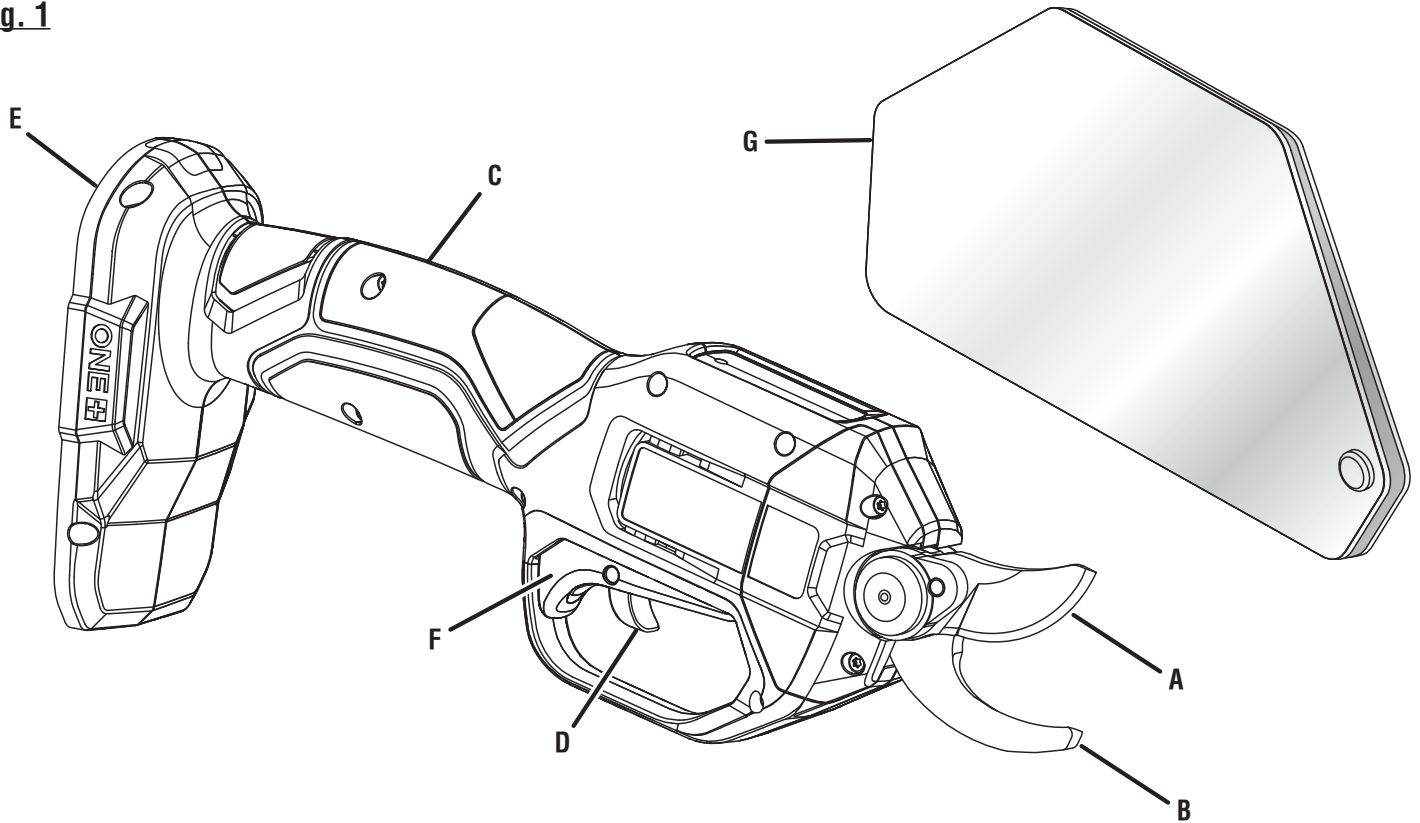
SAVE THIS MANUAL FOR FUTURE REFERENCE

CONSERVER CE MANUEL POUR FUTURE RÉFÉRENCE

GUARDE ESTE MANUAL PARA FUTURAS CONSULTAS

See this fold-out section for all the figures referenced in the operator's manual.
 Voir que cette section d'encart pour toutes les figures a adressé dans le manuel d'utilisation.
 Vea esta sección de la página desplegable para todas las figuras mencionó en el manual del operador.

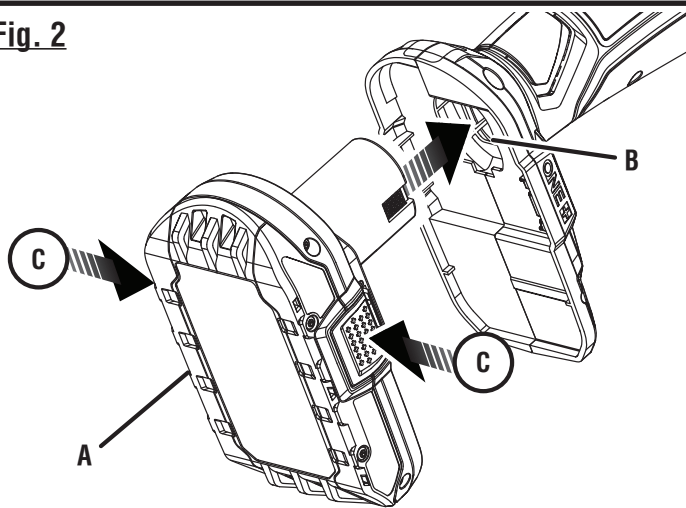
Fig. 1



- A - Cutting blade (lame de coupage , hoja para corte)
- B - Fixed Blade (lame fixe, hoja fija)
- C - Handle (poignée, mango)
- D - Lock-out trigger (gâchette de verrouillage éteindre, gatillo de seguridad)

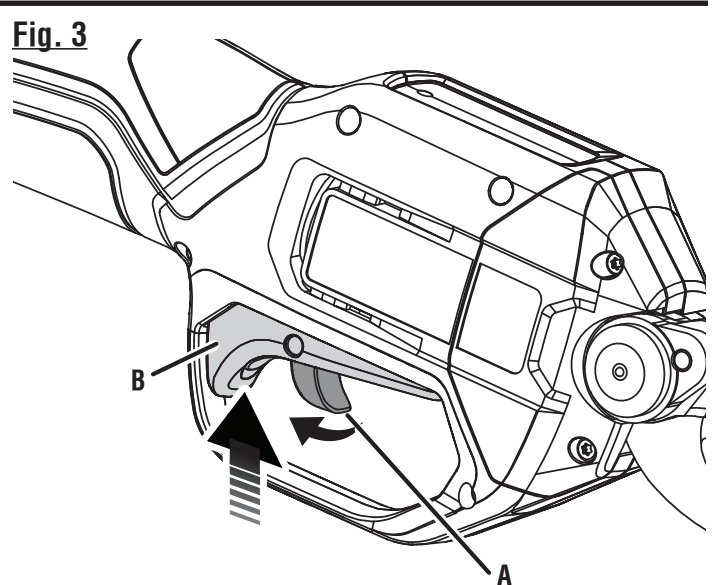
- E - Battery port (logement de batteries, receptáculo para pilas)
- F - Switch trigger (gâchette de commutateur, gatillo del interruptor)
- G - Sheath (gaine, entablado)

Fig. 2



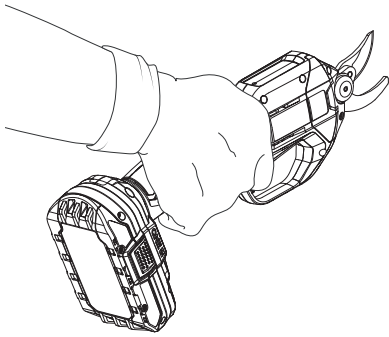
- A - Battery pack (bloc-piles, paquete de baterías)
- B - Battery port (logement de batteries, receptáculo para pilas)
- C - Latches (loquets, pestillos)

Fig. 3



- A - Lock-out trigger (gâchette de verrouillage éteindre, gatillo de seguridad)
- B - Switch trigger (gâchette, gatillo)

Fig. 4



**PROPER OPERATING POSITION
BONNE POSITION DE TRAVAIL
POSICIÓN CORRECTA PARA EL MANEJO DE LA
HERRAMIENTA**

Fig. 5

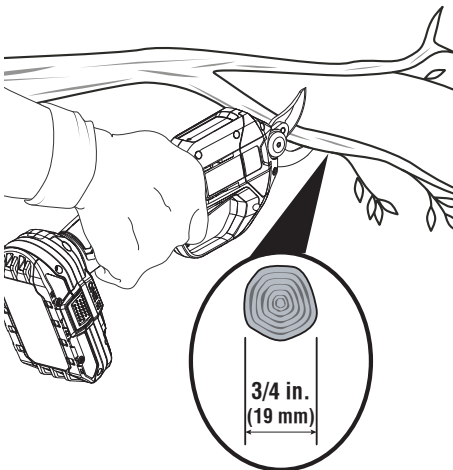
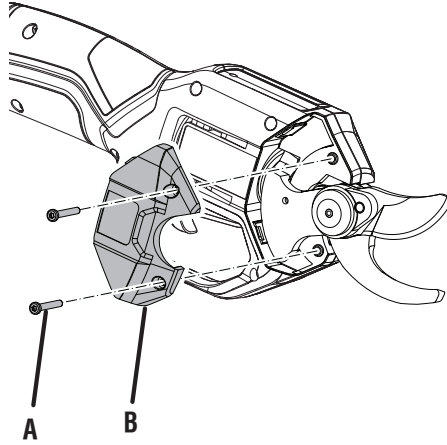
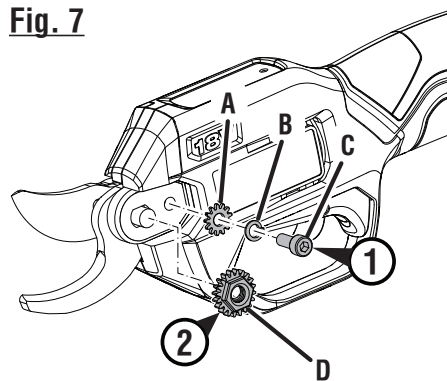


Fig. 6



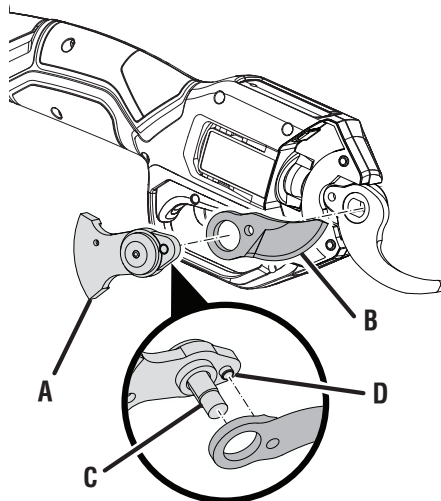
A - Screws (vis , tornillos)
B - Blade Cover (couvercle de la lame , cubierta de la hoja)

Fig. 7



A - Gear (roue dentée, engranaje)
B - Washer (rondelle, arandela)
C - Locking Screw (vis de blocage, tornillo de bloqueo)
D - Locking Nut (écrou de blocage, tuerca de seguridad)

Fig. 8



A - Swing Gear Assembly (mécanisme de rotation , conjunto del engranaje de giro)
B - Cutting blade (lame de coupage , hoja para corte)
C - Bolt (boulon, perno)
D - Alignment Pin (goupille d'alignement , pasador de alineación)

Fig. 9

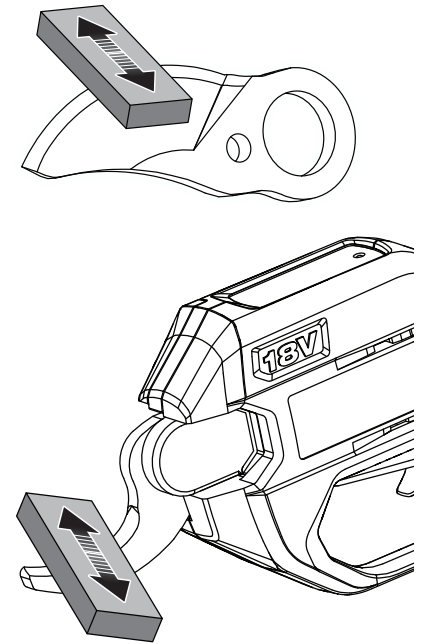
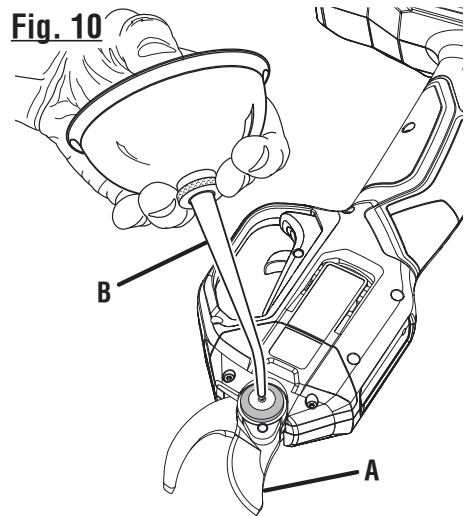
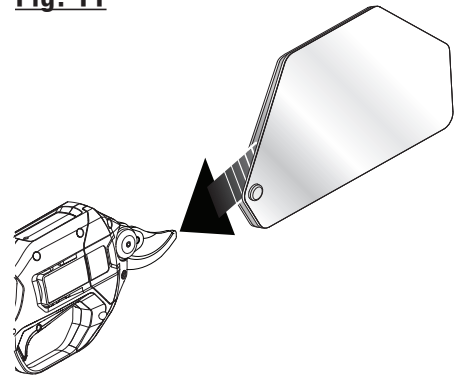


Fig. 10



A - Cutting blade (lame de coupage , hoja para corte)
B - Lubricant (lubrifiant, lubricante)

Fig. 11



GENERAL POWER TOOL SAFETY WARNINGS

WARNING!

Read all safety warnings, instructions, illustrations and specifications provided with this power tool. Failure to follow all instructions listed below may result in electric shock, fire and/or serious injury.

Save all warnings and instructions for future reference. The term “power tool” in the warnings refers to your mains-operated (corded) power tool or battery-operated (cordless) power tool.

WORK AREA SAFETY

- **Keep work area clean and well lit.** Cluttered or dark areas invite accidents.
- **Do not operate power tools in explosive atmospheres, such as in the presence of flammable liquids, gases or dust.** Power tools create sparks which may ignite the dust or fumes.
- **Keep children and bystanders away while operating a power tool.** Distractions can cause you to lose control.

ELECTRICAL SAFETY

- **Power tool plugs must match the outlet. Never modify the plug in any way. Do not use any adapter plugs with earthed (grounded) power tools.** Unmodified plugs and matching outlets will reduce risk of electric shock.
- **Avoid body contact with earthed or grounded surfaces such as pipes, radiators, ranges and refrigerators.** There is an increased risk of electric shock if your body is earthed or grounded.
- **Do not expose power tools to rain or wet conditions.** Water entering a power tool will increase the risk of electric shock.
- **Do not abuse the cord. Never use the cord for carrying, pulling or unplugging the power tool. Keep cord away from heat, oil, sharp edges or moving parts.** Damaged or entangled cords increase the risk of electric shock.
- **When operating a power tool outdoors, use an extension cord suitable for outdoor use.** Use of a cord suitable for outdoor use reduces the risk of electric shock.
- **If operating a power tool in a damp location is unavoidable, use a ground fault circuit interrupter (GFCI) protected supply.** Use of a GFCI reduces the risk of electric shock.

PERSONAL SAFETY

- **Stay alert, watch what you are doing and use common sense when operating a power tool. Do not use a power tool while you are tired or under the influence of drugs, alcohol or medication.** A moment of inattention while operating power tools may result in serious personal injury.
- **Use personal protective equipment. Always wear eye protection.** Protective equipment such as dust mask, non-skid safety shoes, hard hat, or hearing protection used for appropriate conditions will reduce personal injuries.
- **Prevent unintentional starting. Ensure the switch is in the off-position before connecting to power source and/or battery pack, picking up or carrying the tool.** Carrying power tools with your finger on the switch or energizing power tools that have the switch on invites accidents.
- **Remove any adjusting key or wrench before turning the power tool on.** A wrench or a key left attached to a rotating part of the power tool may result in personal injury.
- **Do not overreach. Keep proper footing and balance at all times.** This enables better control of the power tool in unexpected situations.
- **Dress properly. Do not wear loose clothing or jewelry.** Keep your hair, clothing and gloves away from moving parts. Loose clothes, jewelry or long hair can be caught in moving parts.
- **If devices are provided for the connection of dust extraction and collection facilities, ensure these are connected and properly used.** Use of dust collection can reduce dust-related hazards.
- **Do not let familiarity gained from frequent use of tools allow you to become complacent and ignore tool safety principles.** A careless action can cause severe injury within a fraction of a second.
- **Do not use on a ladder or unstable support.** Stable footing on a solid surface enables better control of the power tool in unexpected situations.
- **Wear heavy, long pants, long sleeves, boots, and gloves. Do not wear loose fitting clothing, short pants, sandals, or go barefoot. Do not wear jewelry of any kind.**

GENERAL POWER TOOL SAFETY WARNINGS

POWER TOOL USE AND CARE

- **Do not force the power tool. Use the correct power tool for your application.** The correct power tool will do the job better and safer at the rate for which it was designed.
- **Do not use the power tool if the switch does not turn it on and off.** Any power tool that cannot be controlled with the switch is dangerous and must be repaired.
- **Disconnect the plug from the power source and/or the battery pack from the power tool before making any adjustments, changing accessories, or storing power tools.** Such preventive safety measures reduce the risk of starting the power tool accidentally.
- **Store idle power tools out of the reach of children and do not allow persons unfamiliar with the power tool or these instructions to operate the power tool.** Power tools are dangerous in the hands of untrained users.
- **Maintain power tools. Check for misalignment or binding of moving parts, breakage of parts and any other condition that may affect the power tool's operation. If damaged, have the power tool repaired before use.** Many accidents are caused by poorly maintained power tools.
- **Keep cutting tools sharp and clean.** Properly maintained cutting tools with sharp cutting edges are less likely to bind and are easier to control.
- **Use the power tool, accessories and tool bits etc. in accordance with these instructions, taking into account the working conditions and the work to be performed.** Use of the power tool for operations different from those intended could result in a hazardous situation.
- **Keep handles and grasping surfaces dry, clean and free from oil and grease.** Slippery handles and grasping surfaces do not allow for safe handling and control of the tool in unexpected situations.

BATTERY TOOL USE AND CARE

- **Use power tools only with specifically designated battery packs.** Use of any other battery packs may create a risk of injury and fire.
- **Do not use a battery pack or tool that is damaged or modified.** Damaged or modified batteries may exhibit unpredictable behaviour resulting in fire, explosion or risk of injury.
- **Do not expose a battery pack or tool to fire or excessive temperature.** Exposure to fire or temperature above 265°F may cause explosion.
- **Recharge only with the charger specified by the manufacturer.** A charger that is suitable for one type of battery pack may create a risk of fire when used with another battery pack.
- **When battery pack is not in use, keep it away from other metal objects, like paper clips, coins, keys, nails, screws or other small metal objects, that can make a connection from one terminal to another.** Shorting the battery terminals together may cause burns or a fire.
- **Under abusive conditions, liquid may be ejected from the battery; avoid contact. If contact accidentally occurs, flush with water. If liquid contacts eyes, additionally seek medical help.** Liquid ejected from the battery may cause irritation or burns.
- **Follow all charging instructions and do not charge the battery pack or tool outside the temperature range specified in the instructions.** Charging improperly or at temperatures outside the specified range may damage the battery and increase the risk of fire.

SERVICE




- **Have your power tool serviced by a qualified repair person using only identical replacement parts.** This will ensure that the safety of the power tool is maintained.
- **Never service damaged battery packs.** Service of battery packs should only be performed by the manufacturer or authorized service providers.
- **When servicing a power tool, use only identical replacement parts. Follow instructions in the Maintenance section of this manual.** Use of unauthorized parts or failure to follow Maintenance instructions may create a risk of shock or injury.

PRUNING SHEAR SAFETY WARNINGS










- **DANGER** - Keep hands away from blade. Contact with blade will result in serious personal injury.
- Maintain a firm grip on handle while cutting.
- Always wear eye protection with side shields marked to comply with ANSI Z87.1, along with head protection. Following this rule will reduce the risk of serious personal injury.
- Clear the area to be cut before each use. Remove all objects such as cords, lights, wire, or loose string which can become entangled in the cutting blade and create a risk of serious personal injury.
- Before starting the power tool, make sure the blade is not in contact with any object.
- Stop the unit, remove the battery pack, and make sure the blade has stopped before setting the unit down.
- Never cut any material with a diameter larger than 3/4 in.
- Always stop the motor when cutting is delayed or when walking from one cutting location to another.
- Keep unit clean of clippings and other materials. They may become lodged in the cutting blades.
- Store the unit inside in a dry place, either locked up or up high to prevent unauthorized use or damage. Keep out of the reach of children or untrained individuals.
- Never douse or squirt the unit with water or any other liquid. Keep handles dry, clean, and free from debris. Clean after each use; see storage instructions.
- Secure the unit while transporting.
- **Do not use the tool in bad weather conditions, especially when there is a risk of lightning.** This decreases the risk of being struck by lightning.
- **Keep all power cords and cables away from cutting area.** Power cords or cables may be hidden and can be accidentally cut by the blade.
- **Hold the tool by insulated gripping surfaces only, because the blade may contact hidden wiring.** Blades contacting a “live” wire may make exposed metal parts of the shear “live” and could give the operator an electric shock.
- **Keep all parts of the body away from the blade. Do not remove cut material or hold material to be cut when blades are moving.** Blades continue to move after the switch is turned off. A moment of inattention while operating the tool may result in serious personal injury.
- **When clearing jammed material or servicing the tool, make sure the power switch is off and the battery pack is removed or disconnected.** Unexpected actuation of the shear while clearing jammed material or servicing may result in serious personal injury.
- **Carry the tool by the handle with the blade stopped and taking care not to operate the power switch.** Proper carrying of the tool will decrease the risk of inadvertent starting and resultant personal injury from the blades.
- **When transporting or storing the tool, always fit the blade cover.** Proper handling of the tool will decrease the risk of personal injury from the blades.
- Don't grasp the exposed cutting blades or cutting edges when picking up or holding the appliance.
- Battery operated units do not have to be plugged into an electrical outlet; therefore, they are always in operating condition. Be aware of possible hazards even when unit is not operating.
- Remove the battery pack before making any adjustments, cleaning, storing, or removing material from the unit, or when not in use.
- Use this product only with batteries and chargers listed in tool/appliance/battery pack/charger correlation supplement 987000-432.
- Save these instructions. Refer to them frequently and use them to instruct others who may use this tool. If you loan someone this tool, loan them these instructions also.

SYMBOLS

The following signal words and meanings are intended to explain the levels of risk associated with this product.


SYMBOL	SIGNAL	MEANING
	DANGER:	Indicates a hazardous situation, which, if not avoided, will result in death or serious injury.
	WARNING:	Indicates a hazardous situation, which, if not avoided, could result in death or serious injury.
	CAUTION:	Indicates a hazardous situation, that, if not avoided, may result in minor or moderate injury.
	NOTICE:	(Without Safety Alert Symbol) Indicates information considered important, but not related to a potential injury (e.g. messages relating to property damage).

Some of the following symbols may be used on this product. Please study them and learn their meaning. Proper interpretation of these symbols will allow you to operate the product better and safer.

SYMBOL	NAME	DESIGNATION/EXPLANATION
	Safety Alert	Indicates a potential personal injury hazard.
	Read Operator's Manual	To reduce the risk of injury, user must read and understand operator's manual before using this product.
	Wear Eye and Head Protection	Always wear eye protection with side shields marked to comply with ANSI Z87.1, along with head protection.
	Wet Conditions Alert	Do not expose battery, battery compartment, or electronic components to rain, water, or liquids. Do not charge battery or expose product to rain or damp locations.
	Safety Footwear	Wear non-slip safety footwear when using this equipment.
	Rain Symbol	Do not expose to rain.
	Electric Shock	Failure to use in dry conditions and to observe safe practices can result in electric shock.
	No Hands Symbol	Failure to keep your hands away from the blade will result in serious personal injury.
	Pinch Point	Danger - Keep hands away from the blade.

SYMBOLS

Some of the following symbols may be used on this product. Please study them and learn their meaning. Proper interpretation of these symbols will allow you to operate the product better and safer.

SYMBOL	NAME	EXPLANATION
	Recycle Symbol	This product uses lithium-ion batteries. Local, state or federal laws may prohibit disposal of batteries in ordinary trash. Consult your local waste authority for information regarding available recycling and/or disposal options.
—	Direct Current	Type or a characteristic of current
n_0	No Load Speed	Rotational speed, at no load
.../min	Per Minute	Revolutions, strokes, surface speed, orbits etc., per minute
V	Volts	Voltage
Hz	Hertz	Frequency (cycles per second)
min	Minutes	Time

FEATURES

PRODUCT SPECIFICATIONS

Motor..... 18V
 Cutting Capacity..... 3/4 in.

KNOW YOUR PRUNING SHEAR

See Figure 1.

The safe use of this product requires an understanding of the information on the product and in this operator's manual as well as a knowledge of the project you are attempting. Before use of this product, familiarize yourself with all operating features and safety rules.

BLADE

The pruning shear comes with a 2 in. cutting blade that can be used to cut small limbs and branches.

LOCK-OUT TRIGGER

The lock-out trigger prevents accidental starting.

SHEATH

The sheath keeps the operator from coming in contact with the sharp blades when the tool is not in use. It also helps keep the blades from being nicked or damaged when the tool is in storage.

SWITCH TRIGGER

The switch trigger activates the motor and blades when it is depressed and the lock-out button is engaged.

ASSEMBLY

UNPACKING

This product has been shipped completely assembled.

- Carefully remove the product and any accessories from the box. Make sure that all items listed in the packing list are included.

WARNING:

Do not use this product if it is not completely assembled or if any parts appear to be missing or damaged. Use of a product that is not properly and completely assembled could result in serious personal injury.

- Inspect the product carefully to make sure no breakage or damage occurred during shipping.
- Do not discard the packing material until you have carefully inspected and satisfactorily operated the product.
- If any parts are damaged or missing, please call 1-800-525-2579 for assistance.

PACKING LIST

Pruning Shear

Blade Sheath

Operator's Manual

WARNING:

If any parts are damaged or missing do not operate this product until the parts are replaced. Use of this product with damaged or missing parts could result in serious personal injury.

WARNING:

Do not attempt to modify this product or create accessories not recommended for use with this product. Any such alteration or modification is misuse and could result in a hazardous condition leading to possible serious personal injury.

WARNING:

To prevent accidental starting that could cause serious personal injury, always remove the battery pack from the product when assembling parts.

OPERATION

DANGER:

Never cut near power lines, electric cords, or other electric sources. If blade jams on any electrical cord or line, **DO NOT TOUCH THE BLADE! IT CAN BECOME ELECTRICALLY LIVE AND VERY DANGEROUS.** Continue to hold the tool by the insulated rear handle or lay it down and away from you in a safe manner. Disconnect the electrical service to the damaged line or cord before attempting to free the blade from the line or cord. Contact with the blade, other conductive parts of the tool, or live electric cords or lines will result in death by electrocution, electric shock, or serious personal injury.

WARNING:

Do not allow familiarity with this product to make you careless. Remember that a careless fraction of a second is sufficient to inflict serious injury.

WARNING:

Always wear eye protection with side shields marked to comply with ANSI Z87.1, along with head protection. Failure to do so could result in objects being thrown into your eyes and other possible serious injuries.

WARNING:

Do not use any attachments or accessories not recommended by the manufacturer of this product. The use of attachments or accessories not recommended can result in serious personal injury.

APPLICATIONS

You may use this product for the purposes listed below:

- Cutting and pruning small limbs and branches

INSTALLING/REMOVING BATTERY PACK

See Figure 2.

WARNING:

Always remove battery pack from your tool when you are assembling parts, making adjustments, cleaning, carrying, transporting or when not in use. Removing battery pack will prevent accidental starting that could cause serious personal injury.

NOTE: To avoid serious personal injury, always remove the battery pack and keep hands clear of the lock-out button when carrying or transporting the tool.

To install:

- Insert the battery pack into the product as shown.

WARNING:

Make sure the latches on each side of the battery pack snap into place and that battery pack is secured in the product before beginning operation.

To remove:

- Depress the latches to remove the battery pack.

WARNING:

To avoid serious personal injury, always remove the battery pack and keep hands clear of the lock-out button when carrying or transporting the tool.

For complete charging instructions, see the operator's manuals for your battery pack and charger.

PREPARATION FOR CUTTING

See Figures 3-5

This product is designed for cutting and pruning small limbs and branches with a diameter of up to 3/4 inches.

The blade will perform one cut for every press of the trigger. If the trigger is released before the cut is completed it will immediately return to the open position.

- Wear non-slip gloves for maximum grip and protection.
- Remove the sheath.
- Press and hold the switch trigger to open the blade.

NOTE: The tool will not operate any further until the switch trigger is released and pressed again.

TO START THE PRUNING SHEAR:

- Position open shear onto the branch to be cut.

NOTE: Cut at an angle for a cleaner cut.

- Squeeze and hold the trigger, the blade will close completely.
- Release the trigger and the shears will automatically return to the fully open position before the motor stops.

MAINTENANCE

WARNING:

To avoid serious personal injury, always remove the battery pack from the tool when cleaning or performing any maintenance.

WARNING:

Always wear eye protection with side shields marked to comply with ANSI Z87.1, along with head protection. Failure to do so could result in objects being thrown into your eyes resulting in possible serious injury.

WARNING:

When servicing, use only recommended or equivalent replacement parts. Use of any other parts may create a hazard or cause product damage.

NOTICE:

Periodically inspect the entire product for damaged, missing, or loose parts such as screws, nuts, bolts, caps, etc. Tighten securely all fasteners and caps and do not operate this product until all missing or damaged parts are replaced. Please contact customer service or an authorized service center for assistance.

GENERAL MAINTENANCE

Avoid using solvents when cleaning plastic parts. Most plastics are susceptible to damage from various types of commercial solvents and may be damaged by their use. Use clean cloths to remove dirt, dust, oil, grease, etc.

WARNING:

Do not at any time let brake fluids, gasoline, petroleum-based products, penetrating oils, etc., come in contact with plastic parts. Chemicals can damage, weaken or destroy plastic which may result in serious personal injury.

REPLACING OR SHARPENING THE BLADE

See Figures 6-9

WARNING:

Always protect hands by wearing heavy gloves and/or wrapping the cutting edges of the blade with rags and other material when performing blade maintenance. Contact with the blade could result in serious personal injury.

NOTE: Before removing the blade for sharpening or replacement, ensure that you have a T10 Torx screwdriver, a #4 hex key, and a 13mm socket wrench.

- Remove the battery pack.
- Place the product on a level surface with the housing side facing up.
- Turn the screws counterclockwise to unlock.
- Remove the housing.
- Flip the product onto its other side.
- Turn the locking screw counterclockwise to remove.
- Remove the washer and the small gear.
- Turn the locking nut counterclockwise to remove.
- Flip the product over onto its other side.
- Remove the swing gear assembly and cutting blade. Set aside.
 - To sharpen the blades, rub a 300-400 grit sharpening stone across the edges of the cutting blade and the fixed blade.
 - To replace a dull cutting blade, discard the old blade and install a new blade.
- Place the new or sharpened blade on the tool.
- Insert the bolt on the swing gear through the large holes in the fixed blade and cutting blade.

NOTE: Use the alignment pin on the swing gear assembly to correctly position the blade.

- Reinstall the locking nut, washer, and screw on the other side.
- Reinstall the blade cover and the screws. Rotate the screws clockwise to secure the housing.

CLEANING THE PRUNING SHEAR

- Remove the battery pack.
- Clean the body and handles of the product with a soft, dry cloth after each use. Do not use water and soap to clean the product.

MAINTENANCE

LUBRICATING THE BLADE

See Figure 10.

For easier operation and longer blade life, lubricate product blade before and after each use. If you will be using the product for an extended period, it is advisable to lubricate the blade during use.

- Remove the battery pack.
- Put the nozzle of the lubricant container against the steel ball on the product. Add lubricant oil into the hole of the bolt.

STORING THE PRUNING SHEAR

See Figure 11.

- Remove the battery pack from the shear before storing.
- Clean all foreign material from the shear.
- Always place the sheath on the cutting blades before transporting or storing the unit.
- Store it in a place that is inaccessible to children.
- Keep away from corrosive agents such as garden chemicals and de-icing salts.

This product has a Three-year Limited Warranty for personal, family, or household use (90 days for business or commercial use). For warranty details, visit www.ryobitools.com or call (toll free) 1-800-525-2579.

RÈGLES DE SÉCURITÉ RELATIVES AUX OUTILS ÉLECTRIQUES



AVERTISSEMENT

Lire les avertissements de sécurité, les instructions et les précisions et consulter les illustrations fournis avec cet outil électrique. Le fait de ne pas se conformer à l'ensemble des consignes présentées ci-dessous risque d'entraîner des décharges électriques, un incendie et/ou des blessures graves.

Conserver les avertissements et les instructions à des fins de référence ultérieure. Le terme « outil motorisé », utilisé dans tous les avertissements ci-dessous désigne tout outil fonctionnant sur secteur (câblé) ou sur piles (sans fil).

SÉCURITÉ DU LIEU DE TRAVAIL

- **Garder le lieu de travail propre et bien éclairé.** Les endroits encombrés ou sombres sont propices aux accidents.
- **Ne pas utiliser d'outils électriques dans des atmosphères explosives, par exemple en présence de liquides, gaz ou poussières inflammables.** Les outils électriques produisent des étincelles risquant d'enflammer les poussières ou vapeurs.
- **Garder les enfants et badauds à l'écart pendant l'utilisation d'un outil électrique.** Les distractions peuvent causer une perte de contrôle.

SÉCURITÉ ÉLECTRIQUE

- **Les fiches des outils électriques doivent correspondre à la prise secteur utilisée. Ne jamais modifier la fiche, de quelque façon que ce soit. Ne jamais utiliser d'adaptateurs de fiche avec des outils mis à la terre.** Les fiches et prises non modifiées réduisent le risque de choc électrique.
- **Éviter tout contact du corps avec des surfaces mises à la terre, telles que tuyaux, radiateurs, cuisinières et réfrigérateurs.** Le risque de choc électrique est accru lorsque le corps est mis à la terre.
- **Ne pas exposer les outils électriques à l'eau ou l'humidité.** La pénétration d'eau dans ces outils accroît le risque de choc électrique.
- **Ne pas maltraiter le cordon d'alimentation. Ne jamais utiliser le cordon d'alimentation pour transporter l'outil et ne jamais débrancher ce dernier en tirant sur le cordon. Garder le cordon à l'écart de la chaleur, de l'huile, des objets tranchants et des pièces en mouvement.** Un cordon endommagé ou emmêlé accroît le risque de choc électrique.
- **Pour les travaux à l'extérieur, utiliser un cordon spécialement conçu à cet effet.** Utiliser un cordon conçu pour l'usage extérieur pour réduire les risques de choc électrique.

- **S'il est nécessaire d'utiliser l'outil électrique dans un endroit humide, employer un dispositif interrupteur de défaut à la terre (GFCI).** L'utilisation d'un GFCI réduit le risque de décharge électrique.

SÉCURITÉ PERSONNELLE

- **Rester attentif, prêter attention au travail et faire preuve de bon sens lors de l'utilisation de tout outil électrique. Ne pas utiliser cet outil en état de fatigue ou sous l'influence de l'alcool, de drogues ou de médicaments.** Un moment d'inattention pendant l'utilisation d'un outil électrique peut entraîner des blessures graves.
- **Utiliser l'équipement de sécurité. Toujours porter une protection oculaire.** L'équipement de sécurité, tel qu'un masque filtrant, de chaussures de sécurité, d'un casque ou d'une protection auditive, utilisé dans des conditions appropriées réduira le risque de blessures.
- **Éviter les démarrages accidentels. S'assurer que le commutateur est en position d'arrêt avant de brancher l'outil.** Porter un outil avec le doigt sur son commutateur ou brancher un outil dont le commutateur est en position de marche peut causer un accident.
- **Retirer les clés de réglage avant de mettre l'outil en marche.** Une clé laissée sur une pièce rotative de l'outil peut causer des blessures.
- **Ne pas travailler hors de portée. Toujours se tenir bien campé et en équilibre.** Ceci permettra de mieux contrôler l'outil en cas de situation imprévue.
- **Se vêtir correctement. Ne porter ni vêtements amples, ni bijoux.** Garder les cheveux, les vêtements et les gants à l'écart des pièces en mouvement. Les vêtements amples, les bijoux ou les cheveux longs peuvent se coincer dans les pièces mobiles.
- **Si les outils sont équipés de dispositifs de dépoussiérage, s'assurer qu'ils sont connectés et correctement utilisés.** L'usage de ces dispositifs de dépoussiérage peut réduire les dangers présentés par la poussière.
- **Malgré votre expérience acquise par l'utilisation fréquente des outils, soyez toujours vigilant et respectez les principes de sécurité relatifs aux outils.** Il s'agit d'une fraction de seconde pour qu'un geste irréfléchi puisse causer de graves blessures.
- **Ne pas utiliser l'outil sur une échelle ou un support instable.** Une bonne tenue et un bon équilibre permettent de mieux contrôler l'outil en cas de situation imprévue.
- **Ne pas porter de vêtements amples, bijoux, shorts, sandales et ne pas travailler pieds nus. Ne porter aucun bijou.**

RÈGLES DE SÉCURITÉ RELATIVES AUX OUTILS ÉLECTRIQUES

UTILISATION ET ENTRETIEN DES OUTILS ÉLECTRIQUES

- **Ne pas forcer l'outil. Utiliser l'outil approprié pour l'application.** Un outil approprié exécutera le travail mieux et de façon moins dangereuse s'il est utilisé dans les limites prévues.
- **Ne pas utiliser l'outil si le commutateur ne permet pas de le mettre en marche ou de l'arrêter.** Tout outil qui ne peut pas être contrôlé par son commutateur est dangereux et doit être réparé.
- **Débrancher l'outil et/ou retirer le bloc-piles avant d'effectuer des réglages, de changer d'accessoire ou de remiser l'outil.** Ces mesures de sécurité préventives réduisent les risques de démarrage accidentel de l'outil.
- **Ranger les outils motorisés hors de la portée des enfants et ne laisser personne n'étant pas familiarisé avec l'outil ou ces instructions utiliser l'outil.** Dans les mains de personnes n'ayant pas reçu des instructions adéquates, les outils sont dangereux.
- **Entretenir les outils motorisés. Vérifier qu'aucune pièce mobile n'est mal alignée ou bloquée, qu'aucune pièce n'est brisée et s'assurer qu'aucun autre problème ne risque d'affecter le bon fonctionnement de l'outil. En cas de dommages faire réparer l'outil avant de l'utiliser de nouveau.** Beaucoup d'accidents sont causés par des outils mal entretenus.
- **Garder les outils bien affûtés et propres.** Des outils correctement entretenus et dont les tranchants sont bien affûtés risquent moins de se bloquer et sont plus faciles à contrôler.
- **Utiliser l'outil, les accessoires et embouts, etc. conformément à ces instructions pour les applications pour lesquelles ils sont conçus, en tenant compte des conditions et du type de travail à exécuter.** L'usage d'un outil motorisé pour des applications pour lesquelles il n'est pas conçu peut être dangereux.
- **Gardez les poignées et les surfaces de prise sèches, propres et exemptes d'huile et de graisse.** Des poignées et des surfaces de prise glissantes empêchent la manipulation et le contrôle sécuritaires de l'outil dans des circonstances imprévues.

UTILISATION ET ENTRETIEN DE LA PILE

- **Utiliser exclusivement le bloc-pile spécifiquement indiqué pour l'outil.** L'usage de tout autre bloc peut créer un risque de blessures et d'incendie.
- **Ne pas utiliser un bloc-piles ou un outil endommagé ou modifié.** Les piles endommagées ou modifiées peuvent produire un comportement imprévisible pouvant provoquer un incendie, une explosion ou des blessures.
- **Ne pas exposer le bloc-piles ou l'outil près d'un incendie ou à une température extrême.** L'exposition à un incendie ou à une température supérieure à 130 °C (265 °F) représente un risque d'explosion.
- **Ne recharger qu'avec l'appareil spécifié par le fabricant.** Un chargeur approprié pour un type de batterie peut créer un risque d'incendie s'il est utilisé avec un autre type de batterie.
- **Lorsque le bloc de batteries n'est pas en usage, le garder à l'écart d'articles tels qu'attaches trombones, pièces de monnaie, clous, vis et autres petits objets métalliques risquant d'établir le contact entre les deux bornes.** La mise en court-circuit des bornes de batteries peut causer des étincelles, des brûlures ou un incendie.
- **En cas d'usage abusif, du liquide peut s'échapper des batteries. Éviter tout contact avec ce liquide. En cas de contact accidentel, rincer immédiatement les parties atteintes avec de l'eau. Si le liquide pénètre dans vos yeux, il faut aussi consulter un médecin.** Le liquide s'échappant des batteries peut causer des irritations ou des brûlures.
- **Suivre toutes les instructions afférentes à la recharge et ne pas recharger le bloc-piles ou l'outil hors des températures spécifiées dans les instructions.** Une recharge incorrecte ou hors des températures spécifiées peut endommager la pile et augmenter les risques de feu.

DÉPANNAGE




- **Les réparations doivent être confiées à un technicien qualifié, utilisant exclusivement des pièces identiques à celles d'origine.** Ceci assurera le maintien de la sécurité de l'outil.
- **Ne réparez jamais de blocs-piles endommagés.** Seuls le fabricant et les fournisseurs de service autorisés doivent effectuer la réparation ou l'entretien des blocs-piles.
- **Utiliser exclusivement des pièces identiques à celles d'origine pour les réparations. Se conformer aux instructions de la section Entretien de ce manuel.** L'usage de pièces non autorisées ou le non-respect des instructions peut présenter des risques de choc électrique ou de blessures.

AVERTISSEMENTS DE SECURITE POUR LES SECATEURS










- **DANGER** – Garder les mains à l'écart de lame. Le contact avec les lames peut provoquer des blessures graves.
- Tenir fermement le poignée pendant les travaux de coupe.
- Toujours porter une protection oculaire avec écrans latéraux certifiée conforme à la norme ANSI Z87.1, ainsi qu'une protection casque. Le respect de cette règle réduira les risques de blessures graves.
- Déblayer la zone de travail avant chaque utilisation. Retirer tous les objets tels que les cordons, lumières, fil, ou câbles ont détaché qui peuvent s'emmêler dans la lame tranchante et créer un risque de blessure grave.
- Avant de lancer le outil électrique, s'assurer que la lame n'est en contact avec aucun objet.
- Arrêter le moteur, retirer le bloc de batterie et s'assurer que la lame est immobilisée avant de poser l'outil.
- Ne jamais couper un matériau dont le diamètre est supérieur à 19 mm (3/4 po).
- Arrêter le moteur quand l'outil n'est pas en train de tailler ou lorsqu'il est transporté d'un endroit à un autre.
- Garder l'outil libre des débris et autres matériaux. Les débris d'herbe et autres peuvent se prendre dans les lames.
- Remiser l'outil dans un endroit sec, sous clé ou en hauteur, pour éviter des dommages ou utilisations non autorisées. Le garder hors de portée des enfants et des personnes n'étant pas familières avec son utilisation.
- Ne jamais arroser ou asperger l'outil avec de l'eau ou tout autre liquide. Garder les poignées sèches, propres et exemptes de débris. Nettoyer après chaque utilisation; voir les instructions de remisage.
- Arrimer le produit avant de le transporter.
- **Ne pas utiliser l'outil par mauvais temps, notamment en cas de risque de foudre.** Ceci évitera le risque d'être frappé par la foudre.
- **Conserver tous les cordons d'alimentation et les câbles loin de la zone de coupe.** Les cordons d'alimentation et les câbles peuvent être cachés et la lame pourrait les couper par accident.
- **Tenir l'outil uniquement par des surfaces de préhension isolées, car la lame peut entrer en contact avec des fils cachés.** Les lames qui entrent en contact avec un fil « sous tension » peuvent mettre les parties métalliques exposées de la cisaille « sous tension » et l'utilisateur pourrait recevoir une décharge électrique.
- **Tenir toutes les parties du corps à l'écart de la lame. Ne pas enlever d'objets coupés ou tenir l'objet à être coupé lorsque les lames tournent.** Les lames continuent de bouger une fois que le commutateur est éteint. Un moment d'inattention pendant l'utilisation de l'outil peut entraîner des blessures graves.
- **Lorsqu'on dégage un matériau coincé ou qu'on fait l'entretien de l'outil, s'assurer que l'interrupteur d'alimentation est éteint et que le bloc-piles est retiré ou débranché.** Un déclenchement inattendu de la cisaille pendant le déblocage du matériau coincé ou l'entretien peut entraîner des blessures graves.
- **Transporter l'outil par la poignée, lame arrêtée, en prenant soin de ne pas actionner l'interrupteur d'alimentation.** Le fait de porter correctement l'outil réduit le risque de démarrage par inadvertance et de blessures causées par les lames.
- **Lors du transport ou du rangement de l'outil, toujours remettre le couvercle de la lame.** Une manipulation correcte de l'outil réduira le risque de blessure par les lames.
- Ne pas saisir les lames tranchantes exposées ou les arêtes en ramassant ou tenant l'appareil.
- Les outils fonctionnant sur piles n'ayant pas besoin d'être branchés sur une prise secteur, ils sont toujours en état de fonctionnement. Rester conscient des dangers lorsque l'outil n'est pas en usage.
- Retirer le bloc-piles avant tout réglage, nettoyage, remisage ou déblocage et lorsque l'outil n'est pas en usage.
- Utiliser ce produit seulement avec la piles et le chargeurs indiqués dans le supplément de raccordement pour chargeur/outils/piles/appareil n° 987000-432.
- Conserver ces instructions. Les consulter fréquemment et les utiliser pour instruire les autres utilisateurs éventuels. Si cet produit est prêté, il doit être accompagné de ces instructions.

SYMBOLES

Les termes de mise en garde suivants et leur signification ont pour but d'expliquer le degré de risques associé à l'utilisation de ce produit.


SYMBOLE	SIGNAL	SIGNIFICATION
	DANGER :	Indique une situation dangereuse qui, si elle n'est pas évitée, aura pour conséquences des blessures graves ou mortelles.
	AVERTISSEMENT :	Indique une situation dangereuse qui, si elle n'est pas évitée, pourrait entraîner des blessures graves ou mortelles.
	ATTENTION :	Indique une situation dangereuse qui, si elle n'est pas évitée, pourrait entraîner des blessures légères ou de gravité modérée.
	AVIS :	(Sans symbole d'alerte de sécurité) Indique les informations jugées importantes sans toutefois représenter un risque de blessure (ex. : messages concernant les dommages matériels).

Certains des symboles ci-dessous peuvent être utilisés sur produit. Veiller à les étudier et à apprendre leur signification. Une interprétation correcte de ces symboles permettra d'utiliser produit plus efficacement et de réduire les risques.

SYMBOLE	NOM	DÉSIGNATION / EXPLICATION
	Symbole d'alerte de sécurité	Indique un risque de blessure potentiel.
	Lire manuel d'utilisation	Pour réduire les risques de blessures, l'utilisateur doit lire et veiller à bien comprendre le manuel d'utilisation avant d'utiliser ce produit.
	Porter une protection oculaire et protection casque	Toujours porter une protection oculaire avec écrans latéraux certifiée conforme à la norme ANSI Z87.1, ainsi qu'une protection casque.
	Avertissement concernant l'humidité	Ne pas exposer la pile, le compartiment de la pile, ou les composants électroniques à la pluie, l'eau ou d'autres liquides. Ne pas charger la batterie ou exposer le produit à la pluie ou dans des endroits humides.
	Chaussures de sécurité	Porter des chaussures de travail à semelle antidérapante lors de l'utilisation de l'outil.
	Symbole pluie	Ne pas exposer à la pluie.
	Choc électrique	Ne pas utiliser l'équipement dans des conditions sèches et ne pas respecter des méthodes sans danger peut entraîner un choc électrique.
	Symbole mains à l'écart	Le non-respect de cette mise en garde peut entraîner des blessures graves.
	Point de pincement	Danger - Garder les mains à l'écart de la lame.

SYMBOLES

Certains des symboles ci-dessous peuvent être utilisés sur produit. Veiller à les étudier et à apprendre leur signification. Une interprétation correcte de ces symboles permettra d'utiliser produit plus efficacement et de réduire les risques.

SYMBOLE	NOM	DÉSIGNATION / EXPLICATION
	Symbole de recyclage	Ce produit utilise les piles de lithium-ion (Li-ion). Les réglementations locales ou gouvernementales peuvent interdire de jeter les piles dans les ordures ménagères. Consulter les autorités locales compétentes pour les options de recyclage et/ou l'élimination.
—	Courant continu	Type ou caractéristique du courant
n_0	Vitesse à vide	Vitesse de rotation à vide
.../min	Par minute	Tours, coups, vitesse périphérique, orbites, etc., par minute
V	Volts	Tension
Hz	Hertz	Fréquence (cycles par seconde)
min	Minutes	Temps

CARACTÉRISTIQUES

FICHE TECHNIQUE

Moteur 18 V c.c.
 Capacité de coupe 19mm (3/4 in.)

COMPRENDRE VOTRE SÉCATEUR

Voir la figure 1.

L'utilisation sûre de ce produit exige une compréhension des renseignements figurant sur le produit et contenus dans le manuel d'utilisation, ainsi qu'une bonne connaissance du projet entrepris. Avant d'utiliser ce produit, se familiariser avec toutes ses caractéristiques et règles de sécurité.

LAME

Le sécateur est équipé d'une lame de coupe de 5 cm (2 po) qui peut être utilisée pour couper de petites branches.

GACHETTE DE VERROUILLAGE

La gâchette de verrouillage empêche tout démarrage accidentel.

GAINÉ

Le gainé empêche que l'opérateur entre en contact avec les lames tranchantes lorsque l'outil n'est pas en usage. Il évite également que les lames est ébréchées ou endommagées pendant le remisage.

GÂCHETTE

Le moteur et les lames sont activés lorsque l'utilisateur engagé la gâchette et le bouton de verrouillage.

ASSEMBLAGE

DÉBALLAGE

Ce produit a été expédié complètement assemblé.

- Avec précaution, sortir l'produit et les accessoires de la boîte. S'assurer que toutes les pièces figurant sur la liste de contrôle sont incluses.

AVERTISSEMENT :

Ne pas utiliser le produit s'il n'est pas complètement assemblé ou si des pièces semblent manquantes ou endommagées. L'utilisation d'un produit dont l'assemblage est incorrect ou incomplet ou comportant des pièces endommagées ou absentes représente un risque de blessures graves.

- Examiner soigneusement l'produit pour s'assurer que rien n'a été brisé ou endommagé en cours de transport.
- Ne pas jeter les matériaux d'emballage avant d'avoir soigneusement examiné l'produit et avoir vérifié qu'il fonctionne correctement.
- Si des pièces sont manquantes ou endommagées, appeler le 1-800-525-2579.

LISTE DE CONTRÔLE D'EXPÉDITION

Sécateur

Gaine de lame

Manuel d'utilisation

AVERTISSEMENT :

Si des pièces manquent ou sont endommagées, ne pas utiliser cet outil avant qu'elles aient été remplacées. Le fait d'utiliser ce produit même s'il contient des pièces endommagées ou s'il lui manque des pièces peut entraîner des blessures graves.

AVERTISSEMENT :

Ne pas essayer de modifier cet produit ou de créer des accessoires non recommandés pour l'produit. De telles altérations ou modifications sont considérées comme un usage abusif et peuvent créer des conditions dangereuses, risquant d'entraîner des blessures graves.

AVERTISSEMENT :

Pour empêcher un démarrage accidentel pouvant entraîner des blessures graves, toujours retirer le pile de l'produit avant d'assembler des pièces.

UTILISATION

DANGER :

Ne jamais couper à proximité de lignes électriques, de cordons électriques ou d'autres sources d'électricité. Si la lame se coince sur un cordon ou une ligne électrique, **NE PAS TOUCHER LA LAME! ELLE PEUT DEVENIR SOUS TENSION ET ÊTRE TRÈS DANGEREUSE.** Continuer à tenir l'outil par la poignée arrière isolée ou le poser et l'éloigner de vous de façon sécuritaire. Débrancher le service électrique de la ligne ou du cordon endommagé avant de tenter de libérer la lame de la ligne ou du cordon. Tout contact avec la lame, d'autres parties conductrices de l'outil ou des lignes ou cordons électriques sous tension, peut entraîner la mort par électrocution, une décharge électrique ou des blessures graves.

AVERTISSEMENT :

Ne pas laisser la familiarité avec le produit faire oublier la prudence. Ne pas oublier qu'une fraction de seconde d'inattention peut entraîner des blessures graves.

AVERTISSEMENT :

Toujours porter une protection oculaire avec écrans latéraux certifiée conforme à la norme ANSI Z87.1, ainsi qu'une protection un casque. Si cette précaution n'est pas prise, des objets peuvent être projetés dans les yeux et d'autres lésions graves.

AVERTISSEMENT :

Ne pas utiliser produits ou accessoires non recommandés par le fabricant de ce produit. L'utilisation de pièces et accessoires non recommandés peut entraîner des blessures graves.

APPLICATIONS

Ce produit peut être utilisé pour les application ci-dessous :

- Coupe et élagage des branches et des petits rameaux

INSTALLATION ET RETRAIT DU BLOC-PILES

Voir la figure 2.

AVERTISSEMENT :

Toujours retirer la batterie de l'outil au moment d'assembler des pièces, d'effectuer des réglages et de procéder au nettoyage, ou lorsque l'outil n'est pas utilisé. démarrage accidentel pouvant entraîner des blessures graves.

NOTE : Pour éviter des blessures graves, toujours retirer le bloc-piles et tenir à distance de mains le bouton de verrouillage en portant l'outil.

Installation :

- Insérer le bloc-pile dans l'outil tel qu'illustré.

AVERTISSEMENT :

S'assurer que les loquets de chaque côté de bloc-piles s'enclenchent en place et que la pile est bien fixée avant d'utiliser l'outil.

Retrait :

- Relâcher les loquets pour retirer le bloc-piles.

AVERTISSEMENT :

Pour éviter des blessures graves, toujours retirer le bloc-piles et tenir à distance de mains le bouton de verrouillage en portant l'outil.

Pour prendre connaissance des consignes de chargement, consulter le manuel d'utilisation des piles et des chargeurs.

PREPARATION DE LA COUPE

Voir les figures 3 à 5.

Ce produit est conçu pour couper et élaguer les petites branches et les branches d'un diamètre maximal de 19 mm ou 3/4 po.

La lame effectue une coupe pour chaque pression sur la gâchette. Si la gâchette est relâchée avant la fin de la coupe, elle revient immédiatement en position ouverte.

- Porter des gants antidérapants pour une prise en main et une protection maximales.
- Retirer le fourreau.
- Appuyer sur la gâchette et la maintenir enfoncée pour ouvrir la lame.

NOTE : L'outil ne fonctionnera plus jusqu'à ce que la gâchette du commutateur soit relâchée et pressée à nouveau.

POUR METTRE LE SECATEUR EN MARCHÉ :

- Positionner le sécateur ouvert sur la branche à couper.
NOTE : Couper en angle pour une coupe plus nette.
- Appuyer sur la gâchette et la maintenir enfoncée, la lame se ferme complètement.
- Relâcher la gâchette et les ciseaux reviendront automatiquement à la position complètement ouverte avant que le moteur ne s'arrête.

ENTRETIEN

AVERTISSEMENT :

Pour empêcher un démarrage accidentel pouvant entraîner des blessures graves, toujours retirer le piles de l'produit avant tout nettoyage ou entretien.

AVERTISSEMENT :

Toujours porter une protection oculaire avec écrans latéraux certifiée conforme à la norme ANSI Z87.1, ainsi qu'une protection casque. Si cette précaution n'est pas prise, des objets peuvent être projetés dans les yeux et causer des lésions graves.

AVERTISSEMENT :

Utiliser exclusivement des pièces recommandées ou équivalentes pour les réparations. L'usage de toute autre pièce pourrait créer une situation dangereuse ou endommager l'produit.

AVIS :

Inspecter périodiquement au complet le produit afin de s'assurer qu'aucune pièce (vis, écrous, boulons, chapeaux, etc.) n'est endommagée, manquante ou desserrée. Serrer solidement toutes les pièces de fixation et les chapeaux et ne pas utiliser le produit tant que toutes les pièces manquantes ou endommagées n'ont pas été remplacées. Pour obtenir de l'aide, veuillez communiquer avec le Service à la clientèle ou un centre de réparations agréé.

ENTRETIEN GÉNÉRAL

Éviter d'utiliser des solvants pour le nettoyage des pièces en plastique. La plupart des matières plastiques peuvent être endommagées par divers types de solvants du commerce. Utiliser un chiffon propre pour éliminer la saleté, la poussière, l'huile, la graisse, etc.

AVERTISSEMENT :

Ne jamais laisser de liquides tels que le fluide de freins, l'essence, les produits à base de pétrole, les huiles pénétrantes, etc., entrer en contact avec les pièces en plastique. Les produits chimiques peuvent endommager, affaiblir ou détruire le plastique, ce qui peut entraîner des blessures graves.

REPLACEMENT OU AFFUTAGE DE LA LAME

Voir les figures 6 à 9

AVERTISSEMENT :

Protégez toujours vos mains en portant des gants épais ou en enveloppant les bords tranchants de la lame avec des chiffons ou d'autre matériau quand vous effectuez l'entretien de la lame. Contact avec la lame résulter en des blessures graves.

NOTE : Avant de retirer la lame pour l'affûter ou la remplacer, s'assurer d'avoir un tournevis Torx T10, une clé hexagonale no 4 et une clé à douille de 13 mm.

- Retirer le bloc-piles.
- Placer le produit sur une surface plane, le côté du bâti tourné vers le haut.
- Tourner les vis dans le sens inverse des aiguilles d'une montre pour les déverrouiller.
- Retirer le bâti.
- Faire basculer le produit sur son autre face.
- Tourner la vis de blocage dans le sens inverse des aiguilles d'une montre pour la retirer.
- Retirer la rondelle et la petite roue dentée.
- Tourner l'écrou de blocage dans le sens inverse des aiguilles d'une montre pour le retirer.
- Faire basculer le produit sur son autre face.
- Retirer le mécanisme de rotation et la lame de coupe. Les mettre de côté.
 - Pour aiguiser les lames, frotter une pierre à aiguiser de grain 300 à 400 sur les bords de la lame de coupe et de la lame fixe.
 - Pour remplacer une lame de coupe émoussée, jeter l'ancienne lame et installer une nouvelle lame.
- Placer la lame neuve ou affûtée sur l'outil.
- Insérer le boulon du mécanisme de rotation dans les grands trous de la lame fixe et de la lame de coupe.
 - NOTE :** Utiliser la goupille d'alignement sur le mécanisme de rotation pour positionner correctement la lame.
- Réinstaller l'écrou de blocage, la rondelle et la vis de l'autre côté.
- Réinstaller le couvercle de la lame et les vis. Tourner les vis dans le sens des aiguilles d'une montre pour fixer le bâti.

ENTRETIEN

NETTOYAGE DU SECATEUR

- Retirer le bloc-piles.
- Nettoyer le corps et les poignées du produit avec un chiffon doux et sec après chaque utilisation. Ne pas utiliser d'eau et de savon pour nettoyer le produit.

LUBRIFICATION DE LA LAME

Voir la figure 10.

Pour faciliter le fonctionnement et prolonger la durée de vie de la lame, lubrifier la lame du produit avant et après chaque utilisation. Si vous comptez utiliser le produit pendant une période prolongée, il est conseillé de lubrifier la lame pendant son utilisation.

- Retirer le bloc-piles.
- Poser l'embout du récipient de lubrifiant contre la bille d'acier du produit. Verser de l'huile de lubrification dans le trou du boulon.

RANGEMENT DU SECATEUR

Voir la figure 11.

- Retirer le bloc-piles du sécateur avant de le ranger.
- Nettoyer le sécateur de tout corps étranger.
- Toujours placer le gaine sur la lame lors du transport ou du remisage.
- Entreposer l'outil dans un endroit hors de la portée des enfants.
- La tenir à l'écart de produits corrosifs, tels que les produits chimiques de jardinage et le sel de dégivrage.

Ce produit est accompagné d'une garantie limitée de trois (3) ans pour utilisation personnel, familiales ou domestiques (90 jours pour utilisation affaires ou commerciaux). Pour obtenir les détails de la garantie, visiter le site www.ryobitools.com ou appeler (sans frais) au 1-800-525-2579.

ADVERTENCIAS DE SEGURIDAD PARA HERRAMIENTAS ELÉCTRICAS



ADVERTENCIA

Lea todas las advertencias, instrucciones, ilustraciones y especificaciones proporcionadas con esta herramienta eléctrica. No seguir las instrucciones indicadas a continuación puede provocar descargas eléctricas, incendios o lesiones graves.

Guarde todas las advertencias e instrucciones para futuras consultas. El término “herramienta eléctrica” empleado en todos los avisos de advertencia enumerados abajo se refiere a las herramientas eléctricas de cordón (alámbricas) y de baterías (inalámbricas).

SEGURIDAD EN EL ÁREA DE TRABAJO

- **Mantenga limpia y bien iluminada el área de trabajo.** Un área de trabajo mal despejada o mal iluminada propicia accidentes.
- **No utilice herramientas motorizadas en atmósferas explosivas, como las existentes alrededor de líquidos, gases y polvos inflamables.** Las herramientas eléctricas generan chispas que pueden encender el polvo y los vapores inflamables.
- **Mantenga alejados a los niños y circunstancias al maniobrar una herramienta eléctrica.** Toda distracción puede causar pérdida del control de la herramienta.

SEGURIDAD ELÉCTRICA

- **Las clavijas de las herramientas eléctricas deben corresponder a las tomas de corriente donde se conectan. Nunca modifique la clavija de ninguna forma. No utilice ninguna clavija adaptadora con herramientas eléctricas dotadas de contacto a tierra.** Conectando las clavijas originales en las tomas de corriente donde corresponden se disminuye el riesgo de una descarga eléctrica.
- **Evite el contacto del cuerpo con las superficies de objetos que estén haciendo tierra o estén conectados a ésta, como tuberías, radiadores, estufas y refrigeradores.** Existe un mayor riesgo de descargas eléctricas si el cuerpo está haciendo tierra.
- **No exponga las herramientas eléctricas a la lluvia ni a condiciones de humedad.** La introducción de agua en una herramienta eléctrica aumenta el riesgo de descargas eléctricas.
- **No maltrate el cordón eléctrico. Nunca utilice el cordón para trasladar, desconectar o tirar de la herramienta eléctrica. Mantenga el cordón alejado del calor, del aceite, de bordes afilados y de piezas móviles.** Los cordones eléctricos dañados o enredados aumentan el riesgo de descargas eléctricas.
- **Al utilizar una herramienta eléctrica a la intemperie, use un cordón de extensión apropiado para el exterior.**

Usando un cordón adecuado para el exterior se disminuye el riesgo de descargas eléctricas.

- **Si debe operar una herramienta en lugares húmedos, use un suministro protegido por un interruptor de circuito con pérdida a tierra (GFCI).** El uso de un GFCI reduce el riesgo de descargas eléctricas.

SEGURIDAD PERSONAL

- **Permanezca alerta, preste atención a lo que esté haciendo y aplique el sentido común al utilizar herramientas eléctricas. No utilice la herramienta eléctrica si está cansado o se encuentra bajo los efectos de alguna droga, alcohol o medicamento.** Un momento de inatención al utilizar una herramienta eléctrica puede causar lesiones corporales serias.
- **Use equipo de seguridad. Siempre póngase protección ocular.** El uso de equipo de seguridad como mascarilla para el polvo, calzado de seguridad, casco y protección para los oídos en las circunstancias donde corresponda disminuye el riesgo de lesiones.
- **Evite un arranque accidental de la unidad. Asegúrese de que el interruptor esté en la posición de apagado antes de conectar la herramienta.** Portar las herramientas eléctricas con el dedo en el interruptor, o conectarlas con el interruptor puesto, propicia accidentes.
- **Retire toda llave o herramienta de ajuste antes de encender la herramienta eléctrica.** Toda llave o herramienta de ajuste dejada en una pieza giratoria de la herramienta eléctrica puede causar lesiones.
- **No estire el cuerpo para alcanzar mayor distancia. Mantenga una postura firme y buen equilibrio en todo momento.** De esta manera se logra un mejor control de la herramienta eléctrica en situaciones inesperadas.
- **Use ropa adecuada. No vista ropas holgadas ni joyas.** Mantenga el cabello, la ropa y los guantes lejos de las piezas en movimiento. La ropa floja, las joyas o el cabello largo pueden quedar atrapados en las piezas en movimiento.
- **Si se suministran dispositivos para conectar mangueras de extracción y captación de polvo, asegúrese de que éstas estén bien conectadas y se usen correctamente.** La utilización de captador de polvo puede disminuir los peligros relacionados con el polvo.
- **No permita que la familiaridad obtenida por el uso frecuente de las herramientas lo vuelva complaciente e ignore los principios de seguridad de las herramientas.** Una acción descuidada puede causar lesiones graves en una fracción de segundo.
- **No utilice la unidad al estar en una escalera o en un soporte inestable.** Una postura estable sobre una superficie sólida permite un mejor control de la herramienta eléctrica en situaciones inesperadas.
- **No se ponga ropa holgada o pantalones cortos, sandales ni ande descalzo. No use artículos de joyería de ninguna clase.**

ADVERTENCIAS DE SEGURIDAD PARA HERRAMIENTAS ELÉCTRICAS

EMPLEO Y CUIDADO DE LA HERRAMIENTA ELÉCTRICA

- **No fuerce la herramienta eléctrica.** Utilice la herramienta eléctrica adecuada para cada trabajo. La herramienta eléctrica adecuada efectúa mejor y de manera más segura el trabajo, si además se maneja a la velocidad para la que está diseñada.
- **No utilice la herramienta si el interruptor no enciende o no apaga.** Cualquier herramienta eléctrica que no pueda controlarse con el interruptor es peligrosa y debe repararse.
- **Desconecte la clavija del suministro de corriente o retire el paquete de baterías de la herramienta eléctrica, según sea el caso, antes de efectuarle cualquier ajuste, cambiarle accesorios o guardarla.** Tales medidas preventivas de seguridad reducen el riesgo de poner en marcha accidentalmente la herramienta.
- **Guarde las herramientas eléctricas desocupadas fuera del alcance de los niños y no permita que las utilicen personas no familiarizadas con las mismas o con estas instrucciones.** Las herramientas eléctricas son peligrosas en manos de personas no capacitadas en el uso de las mismas.
- **Preste servicio a las herramientas eléctricas. Revise para ver si hay desalineación o atoramiento de piezas móviles, ruptura de piezas o cualquier otra condición que pueda afectar el funcionamiento de la herramienta. Si está dañada la herramienta eléctrica, permita que la reparen antes de usarla.** Numerosos accidentes son causados por herramientas eléctricas mal cuidadas.
- **Mantenga las herramientas de corte afiladas y limpias.** Las herramientas de corte bien cuidadas y con bordes bien afilados, tienen menos probabilidad de atascarse en la pieza de trabajo y son más fáciles de controlar.
- **Utilice la herramienta eléctrica, los accesorios y brocas, hojas y cuchillas de corte, ruedas de esmeril, etc. de conformidad con estas instrucciones, tomando en cuenta las condiciones de trabajo y la tarea por realizar.** Si se utiliza la herramienta eléctrica para operaciones diferentes de las indicadas podría originar una situación peligrosa.
- **Mantenga los mangos y superficies de agarre limpias y libres de aceite y grasa.** Los mangos y superficies de agarre resbalosas no permiten la manipulación y control seguro de la herramienta en situaciones inesperadas.

EMPLEO Y CUIDADO DE LA HERRAMIENTA DE BATERÍAS

- **Utilice las herramientas eléctricas sólo con los paquetes de baterías específicamente indicados.** El empleo de paquetes de baterías diferentes puede presentar un riesgo de incendio.
- **No utilice un paquete de baterías o una herramienta que esté dañado o modificado.** Las baterías dañadas o modificadas pueden tener un funcionamiento impredecible que provoque incendios, explosiones o riesgo de lesiones.
- **No exponga el paquete de baterías o una herramienta al fuego o a temperaturas excesivas.** La exposición al fuego o a temperatura sobre los 130 °C (265 °F) puede provocar explosiones.
- **Solo cargue la batería con el cargador especificado por el fabricante.** Un cargador apropiado para un tipo de batería puede crear riesgo de incendio cuando se usa con otra batería.
- **Cuando no esté utilizándose el paquete de pilas, manténgalo lejos de otros objetos metálicos como clips, monedas, llaves, clavos, tornillos y otros objetos metálicos pequeños que puedan establecer conexión entre ambas terminales.** Establecer una conexión directa entre las dos terminales puede causar quemaduras o incendios.
- **Si se maltratan las pilas, puede derramarse líquido de las mismas; evite todo contacto con éste. En caso de contacto, lávese con agua. Si el líquido llega a tocar los ojos, además busque atención médica.** El líquido que sale despedido de la batería puede causar irritaciones o quemaduras.
- **Siga todas las instrucciones de carga y no cargue el paquete de baterías ni la herramienta fuera del rango de temperaturas especificado en las instrucciones.** Si realiza la carga en forma incorrecta o fuera de las temperaturas del rango especificado puede dañar la batería y aumentar el riesgo de incendios.

SERVICIO




- **Permita que un técnico de reparación calificado preste servicio a la herramienta eléctrica, y sólo con piezas de repuesto idénticas.** De esta manera se mantiene la seguridad de la herramienta eléctrica.
- **Nunca repare paquetes de baterías dañados.** La reparación de paquetes de baterías solo puede ser realizada por el fabricante o proveedores de servicio autorizados.
- **Al dar servicio a una herramienta eléctrica, sólo utilice piezas de repuesto idénticas. Siga las instrucciones señaladas en la sección Mantenimiento de este manual.** El empleo de piezas no autorizadas o el incumplimiento de las instrucciones de mantenimiento puede significar un riesgo de descarga eléctrica o de lesiones.

ADVERTENCIAS DE SEGURIDAD DE LAS TIJERAS DE PODAR










- **PELIGRO** - Mantenga las manos lejos de la hoja. Entrar en contacto con la hoja puede provocar lesiones corporales serias.
- Sujete firmemente el mango mientras haga cortes.
- Siempre póngase protección ocular con protección lateral con la marca de cumplimiento de la norma ANSI Z87.1, así como protección para la cabeza. Con el cumplimiento de esta regla se reduce el riesgo de lesiones serias.
- Siempre despeje el área de trabajo antes de poner a funcionar la herramienta. Quite todos los objetos tales como cables, luces, alambres o cuerdas sueltas que puedan enredarse con la hoja de corte y crear el riesgo de lesiones personales graves.
- Antes de encender la herramienta eléctrica, asegúrese de que la hoja no esté en contacto con ningún objeto.
- Apague la unidad, retire el paquete de pilas y asegúrese de que se haya detenido la hoja antes de poner en reposo la unidad.
- Nunca corte ningún material con un diámetro superior a 19 mm.
- Siempre detenga el motor al retardar un corte o al caminar de un lugar donde esté cortando a otro.
- Mantenga la unidad libre de hierbas cortadas y otros materiales. Pueden alojarse en las hojas de corte.
- Guarde la unidad dentro de un lugar seco, ya sea bajo llave o en lo alto para evitar el uso no autorizado y daños a la misma. Mantenga la unidad fuera del alcance de los niños y de personas sin capacitación.
- Nunca moje ni rocíe con agua ni con ningún otro líquido la unidad. Mantenga secos, limpios y sin basura los mangos. Limpie la unidad después de usarla; vea el apartado Instrucciones para guardar la unidad.
- Mantenga asegurada la unidad mientras la transporta.
- **No utilice la herramienta en condiciones climáticas adversas, especialmente cuando exista riesgo de relámpagos.** Esto disminuirá el riesgo de que lo alcance un relámpago.
- **Mantenga todos los cables de alimentación alejados del área de corte.** Los cables de alimentación podrían estar ocultos y la cuchilla podría cortarlos accidentalmente.
- **Sujete la herramienta únicamente de las superficies de agarre aisladas, ya que la hoja puede entrar en contacto con cables ocultos.** Si las hojas entran en contacto con un cable electrificado, las partes metálicas expuestas de las tijeras podrían electrificarse y provocarle una descarga eléctrica al operador.
- **Mantenga todas las partes del cuerpo alejadas de la hoja. No retire el material cortado ni sujete material que desee cortar cuando las hojas estén en movimiento.** Las hojas continúan moviéndose después de que se apaga el interruptor. Un momento de distracción mientras opera la herramienta podría resultar en lesiones personales graves.
- **Cuando retire material atascado o realice tareas de mantenimiento en la herramienta, asegúrese de que el interruptor esté apagado y de haber retirado/desconectado la batería.** La acción inesperada de las tijeras mientras quita material atascado o realiza tareas de mantenimiento podría resultar en lesiones personales graves.
- **Transporte la herramienta del mango con la hoja detenida y con cuidado de no activar el interruptor.** El transporte adecuado de la herramienta reducirá el riesgo de un arranque accidental y lesiones personales resultantes de las tijeras.
- **Al transportar o almacenar la herramienta, coloque siempre la cubierta de la hoja.** El manejo adecuado de la herramienta reducirá el riesgo de lesiones personales causadas por las hojas.
- Al recoger o sostener la unidad no sujete las hojas de corte expuestas ni los filos de corte.
- Las herramientas de baterías no necesitan conectarse a una toma de corriente; por lo tanto, siempre están en condiciones de funcionamiento. Esté consciente de los posibles peligros incluso si no está encendida la unidad.
- Retire el paquete de baterías antes de ajustar, limpiar, guardar o quitar material de la unidad, o cuando no la tenga en uso.
- Usar este producto únicamente con la baterías y el cargador indicados en el folleto de la herramienta/aparato/paquete de baterías/cargador complementario 987000-432.
- Guarde estas instrucciones. Consúltelas con frecuencia y empléelas para instruir a otras personas que puedan utilizar esta herramienta. Si presta a alguien esta herramienta, facilítele también las instrucciones.

SÍMBOLOS

Las siguientes palabras de señalización y sus significados tienen el objeto de explicar los niveles de riesgo relacionados con este producto.

SÍMBOLO	SEÑAL	SIGNIFICADO
	PELIGRO:	Indica una situación peligrosa, la cual, si no se evita, causará la muerte o lesiones serias.
	ADVERTENCIA:	Indica una situación peligrosa, la cual, si no se evita, podría causar la muerte o lesiones serias.
	PRECAUCIÓN:	Indica una situación peligrosa la cual, si no se evita, puede causar lesiones leves o moderadas.
	AVISO:	(Sin el símbolo de alerta de seguridad) Indica la información que se considera importante, pero no relacionada con lesiones potenciales (por ej. en relación a daños a la propiedad).

Es posible que se empleen en este producto algunos de los siguientes símbolos. Le suplicamos estudiarlos y aprender su significado para mayor seguridad al manejar este producto.

SÍMBOLO	NOMBRE	DENOMINACIÓN/EXPLICACIÓN
	Alerta de seguridad	Indica un peligro posible de lesiones personales.
	Lea manual del operador	Para reducir el riesgo de lesiones, el usuario debe leer y comprender el manual del operador antes de usar este producto.
	Póngase protección para los ojos y la cabeza	Siempre póngase protección ocular con protección lateral con la marca de cumplimiento de la norma ANSI Z87.1, así como protección para la cabeza.
	Alerta de condiciones húmedas	No exponga la batería, el compartimento de la batería o componentes electrónicos a la lluvia, el agua o líquidos. No exponga el producto a la lluvia o a lugares húmedos, ni cargue la batería en esas condiciones.
	Calzado de seguridad	Cuando utilice este equipo póngase calzado de seguridad antideslizante.
	Símbolo de lluvia	No la exponga a la lluvia.
	Descarga eléctrica	Si no se usa la unidad en condiciones secas y no se observan prácticas seguras de trabajo, puede producirse una descarga eléctrica.
	Símbolo de no acercar las manos	Si no mantiene las manos alejadas de la hoja de corte, se causará serias lesiones corporales.
	Lugar con peligro de pellizcamiento	Peligro - Mantenga las manos alejadas de la hoja.

SÍMBOLOS

Es posible que se empleen en este producto algunos de los siguientes símbolos. Le suplicamos estudiarlos y aprender su significado para mayor seguridad al manejar este producto.

SÍMBOLO	NOMBRE	DENOMINACIÓN/EXPLICACIÓN
	Símbolo de reciclado	Este producto utiliza baterías de iones de litio (Li-ion). Es posible que algunas leyes municipales, estatales o federales prohíban desechar las baterías en la basura normal. Consulte a las autoridades reguladoras de desechos para obtener información en relación con las alternativas de reciclado y desecho disponibles.
==	Corriente continua	Tipo o característica de corriente
n_0	Velocidad en vacío	Velocidad de rotación, en vacío
.../min	Por minuto	Revoluciones, carreras, velocidad superficial, órbitas, etc., por minuto
V	Volts	Voltaje
Hz	Hertz	Frecuencia (ciclos por segundo)
min	Minutos	Tiempo

CARACTERÍSTICAS

ESPECIFICACIONES DEL PRODUCTO

Motor 18V
 Capacidad de corte..... 19mm (3/4 in.)

CONOZCA LAS TIJERAS DE PODAR

Vea la figura 1.

Para usar este producto con la debida seguridad se debe comprender la información indicada en la herramienta misma y en este manual, y se debe comprender también el trabajo que intenta realizar. Antes de usar este producto, familiarícese con todas las características de funcionamiento y normas de seguridad del mismo.

HOJA

Las tijeras de podar vienen con una hoja de corte de 50,80 mm que se puede usar para cortar ramas pequeñas.

GATILLO DE SEGURIDAD

El gatillo de seguridad evita el arranque accidental.

ENTABLADO

El entablado impides que el operador toque las afiladas hojas cuando no tenga en uso la herramienta. También ayuda a impedir que las las hojas resulten melladas o dañadas cuando está guardada la herramienta.

GATILLO DEL INTERRUPTOR

El gatillo del interruptor activa el motor y las hojas cuando se presiona y cuando se enganchada el botón de seguridad.

ARMADO

DESEMPAQUETADO

Embarcamos este producto completamente armado.

- Extraiga cuidadosamente de la caja la herramienta y los accesorios. Asegúrese de que estén presentes todos los artículos enumerados en la lista de empaquetado.

ADVERTENCIA:

No use este producto si no está totalmente ensamblado o si alguna pieza falta o está dañada. El uso de un producto que no está adecuadamente y completamente ensamblado o posee partes dañadas o faltantes puede resultar en lesiones personales graves.

- Inspeccione cuidadosamente la herramienta para asegurarse de que no haya sufrido ninguna rotura o daño durante el transporte.
- No deseche el material de empaquetado hasta que haya inspeccionado cuidadosamente la herramienta y la haya utilizado satisfactoriamente.
- Si hay piezas dañadas o faltantes, le suplicamos llamar al 1-800-525-2579, donde le brindaremos asistencia.

LISTA DE EMPAQUETADO

Tijeras de podar

Vaina de hoja

Manual del operador

ADVERTENCIA:

Si hay piezas dañadas o faltantes, no utilice este producto sin haber reemplazado todas las piezas. Usar este producto con partes dañadas o faltantes puede causar lesiones serias al operador.

ADVERTENCIA:

No intente modificar esta herramienta ni hacer accesorios no recomendados para la misma. Cualquier alteración o modificación constituye maltrato el cual puede causar una condición peligrosa, y como consecuencia posibles lesiones corporales serias.

ADVERTENCIA:

Para evitar un arranque accidental que podría causar lesiones corporales serias, siempre desmonte de la producto el paquete de baterías al montarle piezas a aquélla.

FUNCIONAMIENTO

PELIGRO:

Nunca corte cerca de líneas o cables eléctricos, u otras fuentes eléctricas. Si la hoja se atasca en algún cable o línea eléctrica, NO TOQUE LA HOJA. PUEDE QUEDAR ELECTRIFICADO Y SER MUY PELIGROSO. Continúe sujetando la herramienta del mango trasero aislado o déjela en el suelo y lejos de usted de manera segura. Desconecte el servicio eléctrico de la línea o del cable dañados antes de intentar liberar la hoja de la línea o del cable. El contacto con la hoja, otras partes conductoras de la herramienta, o cables o líneas eléctricos con tensión provocará la muerte por electrocución, una descarga eléctrica o lesiones personales graves.

ADVERTENCIA:

No permita que su familiarización con este producto le vuelva descuidado. Tenga presente que un descuido de un instante es suficiente para infligir una lesión grave.

ADVERTENCIA:

Siempre póngase protección ocular con protección lateral con la marca de cumplimiento de la norma ANSI Z87.1, así como protección para los oídos y la cabeza. La inobservancia de esta advertencia puede permitir que los objetos lanzados hacia los ojos y otros provoque lesiones graves.

ADVERTENCIA:

No utilice ningún aditamento o accesorio no recomendado por el fabricante de este producto. El empleo de aditamentos o accesorios no recomendados podría causar lesiones serias.

APLICACIONES

Este producto puede emplearse para los fines enumerado abajo:

- Cortar y podar ramas pequeñas y grandes

INSTALACIÓN/DESINSTALACIÓN DEL PAQUETE DE BATERÍAS

Vea la figura 2.

ADVERTENCIA:

Siempre retire el paquete de baterías de la herramienta cuando esté ensamblando partes, realizando ajustes, limpiando o cuando ésta no esté en uso. Retirando el paquete de pilas se evita arrancar accidentalmente la unidad, lo cual puede causar lesiones serias.

NOTA: Para evitar lesiones corporales serias, siempre desmonte de la herramienta el paquete de baterías y mantenga manos vacías del botón del seguro al llevar herramienta.

Para conectar:

- Coloque el paquete de baterías en el producto como se muestra.

ADVERTENCIA:

Asegúrese de que los pestillos situados en ambos lados del paquete de baterías se deslicen completamente en su lugar y de que el paquete quede bien fijo en el producto antes de empezar a utilizarlo.

Para el desmontaje:

- Oprima los pestillos para extraer el paquete de baterías.

ADVERTENCIA:

Para evitar lesiones corporales serias, siempre desmonte de la herramienta el paquete de baterías y mantenga manos vacías del botón del seguro al llevar herramienta.

Para obtener instrucciones específicas de carga, lea el manual del operador que se incluye con el cargador y la batería.

PREPARACIÓN PARA HACER CORTES

Vea las figuras 3 y 5.

Este producto está diseñado para cortar y podar ramas pequeñas y ramas con un diámetro de hasta 19 mm.

La hoja realizará un corte por cada pulsación del gatillo. Si suelta el gatillo antes de completar el corte, la hoja volverá inmediatamente a la posición abierta.

FUNCIONAMIENTO

- Use guantes antideslizantes para lograr un agarre y protección máximos.
- Retire la funda.
- Mantenga presionado el gatillo interruptor para abrir la hoja.

NOTA: La herramienta no seguirá funcionando hasta que suelte el gatillo interruptor y vuelva a presionarlo.

PARA ENCENDER LAS TIJERAS DE PODAR

- Coloque las tijeras de podar abiertas en la rama que desea cortar.
NOTA: Corte en ángulo para lograr un corte más prolijo.
- Mantenga presionado el gatillo, y la hoja se cerrará por completo.
- Suelte el gatillo y las tijeras volverán automáticamente a la posición completamente abierta antes de que el motor se detenga.

MANTENIMIENTO

ADVERTENCIA:

Para evitar lesiones corporales serias, siempre retire el paquete de baterías de la herramienta al limpiarla o darle mantenimiento.

ADVERTENCIA:

Siempre póngase protección ocular con protección lateral con la marca de cumplimiento de la norma ANSI Z87.1, así como protección para la cabeza. La inobservancia de esta advertencia puede causar el lanzamiento de objetos a los ojos, y por consecuencia posibles lesiones serias.

ADVERTENCIA:

Al dar servicio a la unidad, sólo utilice piezas de repuesto recomendados o equivalentes. El empleo de piezas diferentes puede causar un peligro o dañar el producto.

AVISO:

Inspeccione periódicamente todo el producto para detectar partes dañadas, faltantes o sueltas, como tornillos, tuercas, pernos, tapas, etc. Apriete firmemente todos los sujetadores y las tapas y no accione este producto hasta que todas las partes faltantes o dañadas sean reemplazadas. Póngase en contacto con el servicio al cliente o con un centro de servicio autorizado para obtener ayuda.

MANTENIMIENTO GENERAL

Evite el empleo de solventes al limpiar piezas de plástico. La mayoría de los plásticos son susceptibles a diferentes tipos de solventes comerciales y pueden resultar dañados. Utilice paños limpios para eliminar la suciedad, el polvo, el aceite, la grasa, etc.

ADVERTENCIA:

No permita en ningún momento que fluidos para frenos, gasolina, productos a base de petróleo, aceites penetrantes, etc., lleguen a tocar las piezas de plástico. Las sustancias químicas pueden dañar, debilitar o destruir el plástico, lo cual a su vez puede producir lesiones corporales serias.

CÓMO REEMPLAZAR O AFILAR LA HOJA

Vea las figuras 6 y 9.

ADVERTENCIA:

Siempre protéjase las manos usando guantes gruesos y/o envolviendo los bordes de corte de la cuchilla con paños y otro material al realizar el mantenimiento de la cuchilla. Contacto con la hoja podría causar lesiones serias.

NOTA: Antes de quitar la hoja para afilarla o reemplazarla, asegúrese de tener un destornillador Torx T10, una llave hexagonal n.º 4 y una llave de tubo de 13 mm.

- Retire la batería.
- Coloque el producto en una superficie nivelada con el lado de la carcasa hacia arriba.
- Gire los tornillos hacia la izquierda para desbloquear la carcasa.
- Retire la carcasa.
- Dé vuelta el producto.
- Gire el tornillo de bloqueo hacia la izquierda para quitarlo.
- Retire la arandela y el engranaje pequeño.
- Gire la tuerca de seguridad hacia la izquierda para quitarla.
- Dé vuelta el producto.

MANTENIMIENTO

- Retire el engranaje de giro y la hoja de corte. Déjelos a un lado.

- Para afilar las hojas, frote una piedra de afilar de grano 300-400 por los bordes de la hoja de corte y la hoja fija.

- Para reemplazar una hoja de corte desafilada, deseche la hoja vieja e instale una nueva.

- Coloque la hoja nueva o afilada en la herramienta.

- Inserte el perno del engranaje de giro por los orificios grandes de la hoja fija y la hoja de corte. .

NOTA: Utilice el pasador de alineación del conjunto del engranaje de giro para colocar correctamente la hoja.

- Vuelva a instalar la tuerca de seguridad, la arandela y el tornillo del otro lado.

- Vuelva a instalar la cubierta de la hoja y los tornillos. Gire los tornillos hacia la derecha para asegurar la carcasa.

CÓMO LIMPIAR LAS TIJERAS DE PODAR

- Retire la batería.
- Limpie el cuerpo y los mangos del producto con un paño suave y seco después de cada uso. No use agua y jabón para limpiar el producto.

CÓMO LUBRICAR LA HOJA

Vea la figura 10.

Para lograr una operación más fácil y una vida más larga de la hoja, lubrique la hoja antes y después de cada uso. Si va a utilizar el producto durante un período prolongado, es aconsejable lubricar la hoja durante el uso.

- Retire la batería.
- Coloque la boquilla del recipiente del lubricante contra la bola de acero del producto. Agregue aceite lubricante en el orificio del perno.

CÓMO GUARDAR LAS TIJERAS DE PODAR

Vea la figura 11.

- Retire la batería de las tijeras antes de guardarlas.
- Limpie todo material extraño de las hojas.
- Siempre coloque el entablado de las hojas en éstas transportar o antes de guardar la herramienta.
- Almacene en un lugar al que no puedan acceder niños.
- Mantenga la unidad alejada de agentes corrosivos como los productos químicos para el jardín y las sales para derretir el hielo.

Este producto tiene una garantía limitada de tres años para fines personales, familiares o domésticos (90 días para usos trabajo o comercial). Para obtener detalles sobre la garantía, diríjase a www.ryobitools.com o llame sin cargo al 1-800-525-2579.

NOTAS



OPERATOR'S MANUAL
MANUEL D'UTILISATION / MANUAL DEL OPERADOR
18V PRUNING SHEAR
SÉCATEUR 18 V
TIJERAS DE PODAR DE 18 V
P2504

- **PARTS AND SERVICE:** Prior to requesting service or purchasing replacement parts, please obtain your item, manufacturing, and serial numbers from the product data plate.

ITEM NO.* _____ **MANUFACTURING NO.** _____
SERIAL NO. _____

** Model/item number on product may have additional letters at the end. These letters designate manufacturing information and should be provided when calling for service.*

HOW TO OBTAIN REPLACEMENT PARTS: Replacement parts can be purchased online at www.ryobitools.com or by calling 1-800-525-2579. Replacement parts can also be obtained at one of our service centers.

HOW TO LOCATE A SERVICE CENTER: Service centers can be located online at www.ryobitools.com or by calling 1-800-525-2579.

HOW TO OBTAIN CUSTOMER OR TECHNICAL SUPPORT: To obtain customer or technical support please contact us at 1-800-525-2579.

RYOBI is a trademark of Ryobi Limited and is used pursuant to a license granted by Ryobi Limited.

- **PIÈCES ET SERVICE :** Avant de faire la demande de service ou l'achat de pièces de remplacement, veuillez obtenir le numéro d'article, le numéro de fabrication et le numéro de série à partir de la plaque de données du produit.

NUMÉRO D'ARTICLE* _____ **NUMÉRO DE FABRICATION** _____
NUMÉRO DE SÉRIE _____

** Le numéro de modèle/article sur le produit peut contenir des lettres supplémentaires à la fin. Ces lettres désignent les informations du fabricant et doivent être fournies lors d'un appel de demande de service.*

COMMENT OBTENIR LES PIÈCES DE REMPLACEMENT : Les pièces de remplacement peuvent être achetées en ligne sur le site www.ryobitools.com ou par téléphone au 1-800-525-2579. Les pièces de remplacement peuvent être obtenues à un de nos centres de service.

COMMENT TROUVER UN CENTRE DE SERVICE : Les centres de service peuvent être localisés en ligne au www.ryobitools.com ou en téléphonant au 1-800-525-2579.

COMMENT OBTENIR DE L'AIDE EN CONTACTANT LE SERVICE À LA CLIENTÈLE : Pour contacter le service à la clientèle pour une question technique ou pour tout autre renseignement, veuillez nous téléphoner au 1-800-525-2579.

RYOBI est une marque de Ryobi Limited et est utilisée en vertu d'une licence accordée par Ryobi Limited.

- **PIEZAS DE REPUESTO Y SERVICIO:** Antes de solicitar servicio técnico o comprar piezas de repuesto, obtenga su número de artículo, el número de fabricación y el número de serie de la placa de datos del producto.

NÚMERO DE ARTÍCULO* _____ **NÚMERO DE FABRICACIÓN** _____
NÚMERO DE SERIE _____

** El número de modelo/artículo que figura en el producto podría tener letras adicionales al final. Estas designan información de fabricación y deben suministrarse cuando llame para obtener asistencia o servicio.*

CÓMO OBTENER PIEZAS DE REPUESTO: Las piezas de repuesto se pueden comprar en nuestro sitio en la red mundial, en la dirección www.ryobitools.com o llamando al 1-800-525-2579. Las piezas de repuesto también se pueden obtener en uno de nuestros centros de servicio.

CÓMO LOCALIZAR UN CENTRO DE SERVICIO: Puede encontrar los centros de servicio visitando nuestro sitio en la red mundial, en la dirección www.ryobitools.com or by calling 1-800-525-2579.

CÓMO OBTENER SERVICIO O ASISTENCIA TÉCNICA AL CONSUMIDOR: Para obtener servicio o asistencia técnica al consumidor, sírvase comunicarse con nosotros llamando al 1-800-525-2579.

RYOBI es una marca de Ryobi Limited y se utiliza conforme a una licencia otorgada por Ryobi Limited.

TECHTRONIC INDUSTRIES POWER EQUIPMENT