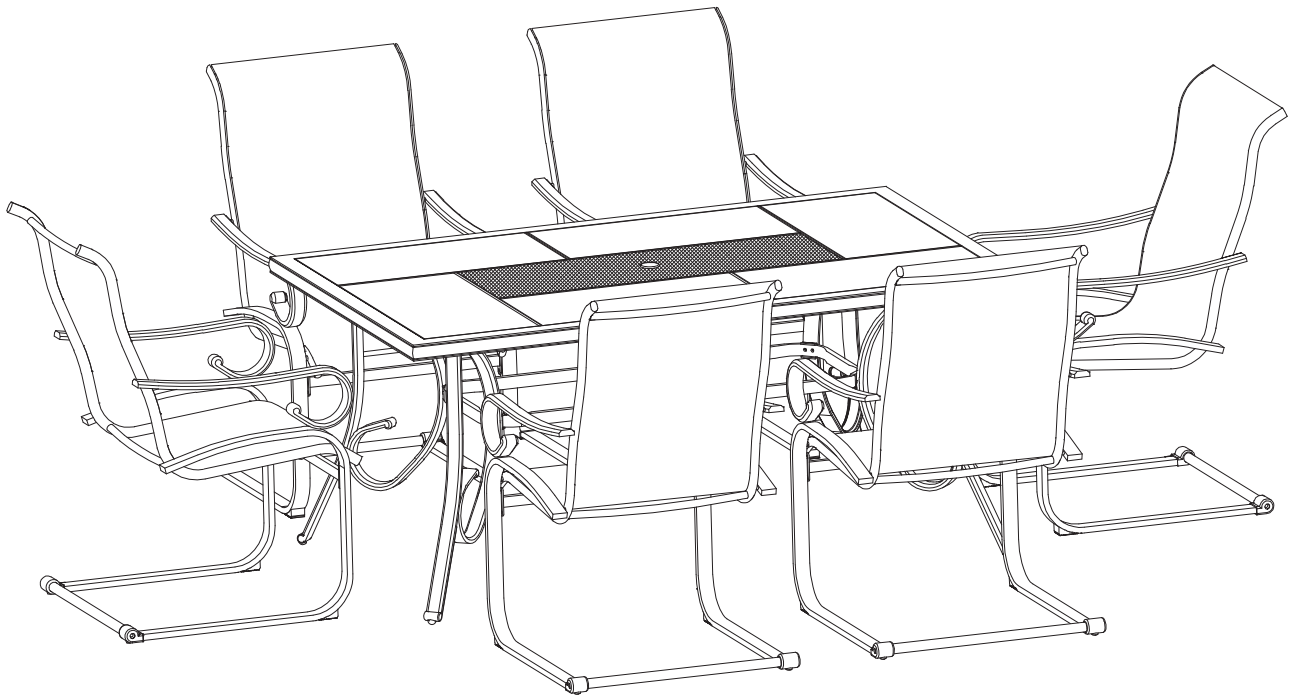


Item #1004 441 320
Model #FCS60610R-ST

HAMPTON BAY[®]

USE AND CARE GUIDE

CRESTRIDGE 7PC DINING SET



Questions, problems, missing parts? Before returning to the store,
call Hampton Bay Customer Service
8 a.m. - 7 p.m., EST, Monday – Friday, 9 a.m. – 6 p.m., EST, Saturday

1-855-HD-HAMPTON

HAMPTONBAY.COM

THANK YOU


We appreciate the trust and confidence you have placed in Hampton Bay through the purchase of this set. We strive to continually create quality products designed to enhance your home. Visit us online to see our full line of products available for your home improvement needs. Thank you for choosing Hampton Bay!


Table of Contents

| | | | |
|--------------------------------------------|---|----------------------------------|---|
| Table of Contents | 2 | Pre-Assembly | 3 |
| Important Safety Instructions | 2 | Planning Assembly | 3 |
| Save These Instructions | 2 | Hardware Included | 4 |
| Read All Instructions Before Use | 2 | Chair Package Contents | 4 |
| Warranty | 3 | Table Package Contents | 5 |
| What is covered | 3 | Chair Assembly | 6 |
| What is not covered | 3 | Table Assembly | 8 |
| | | Care and Cleaning | 9 |

Important Safety Instructions

SAVE THESE INSTRUCTIONS


 **WARNING:** THIS SET WAS MADE FOR THE EXPLICIT PURPOSE OF PROVIDING OUTDOOR FUNCTIONS AND IS NOT TO BE USED AS A TOY. THIS PRODUCT IS INTENDED FOR NORMAL OUTDOOR USE. HOWEVER, THE MANUFACTURER RECOMMENDS STORING AND/OR COVERING THIS PRODUCT WHEN ANY FORMIDABLE/SEVERE WEATHER IS APPROACHING.

 **WARNING:** DO NOT LOCATE THIS PRODUCT NEAR OPEN FLAMES. DO NOT USE THIS PRODUCT AS A SUPPORT. DO NOT SHAKE, LEAN OR CLIMB ON THE PRODUCT. CHILDREN UNDER THE AGE OF 10, NEAR THE PRODUCT, SHOULD BE SUPERVISED BY A COMPETENT ADULT AT ALL TIMES. THIS PRODUCT IS NOT INTENDED FOR COMMERCIAL USE AND WILL VOID THE WARRANTY.


READ ALL INSTRUCTIONS BEFORE USE


To reduce the risk of injury to persons:


1. Close supervision is necessary when this furnishing is used by or near children, or disabled persons, if applicable.
2. Use this furnishing only for its intended use as described in these instructions. Do not use attachments not recommended by the manufacturer.
3. Do not move the chair while it is occupied. Failure to obey this caution could result in injury.
4. This table is not intended to support an umbrella. Umbrellas must have a suitable base or stand.


 **CAUTION:** When not in use, secure the product in a cool and covered location.

 **CAUTION:** Do not locate the product near any heat sources.


 **WARNING:** Weight limit for the chair is 250 lbs (113.39 Kg) for each seat.


 **WARNING:** Please keep children out of the assembly area before assembly.

 **WARNING:** This chair unit is heavy, and may require two adults for safe assembly.

 **WARNING:** Never use this product as a support. Do not shake, lean, or climb on the product at any time.

 **WARNING:** Do not place heavy objects on the chair.

 **WARNING:** This table unit is heavy, and may require two adults for safe assembly.

 **WARNING:** Do not place heavy objects on the table.

Warranty

3 YEAR FRAME AND 2 YEAR FABRIC LIMITED WARRANTY

WHAT IS COVERED

We warrant the frames to be free of manufacturing defects to the original purchaser for three years, and a two year limited warranty for the fabric.

WHAT IS NOT COVERED

It remains the customer's responsibility for freight and packaging charges to and from our service center. This warranty does not cover commercial use, hardware, acts of nature, fire, freezing and abusive use. In addition, purchased parts are not covered under this warranty. We reserve the right to make substitutions with similar merchandise, if the model in question is no longer in production.

Contact the Customer Service Team at 1-855-HD-HAMPTON or visit www.HAMPTONBAY.com.

Pre-assembly

PLANNING ASSEMBLY

Read all instructions before assembly.

To avoid damaging this product, assemble it on a soft, non-abrasive surface such as carpet or cardboard.



NOTE: More than one person may be required to assemble this product.

Pre-assembly (continued)

HARDWARE INCLUDED

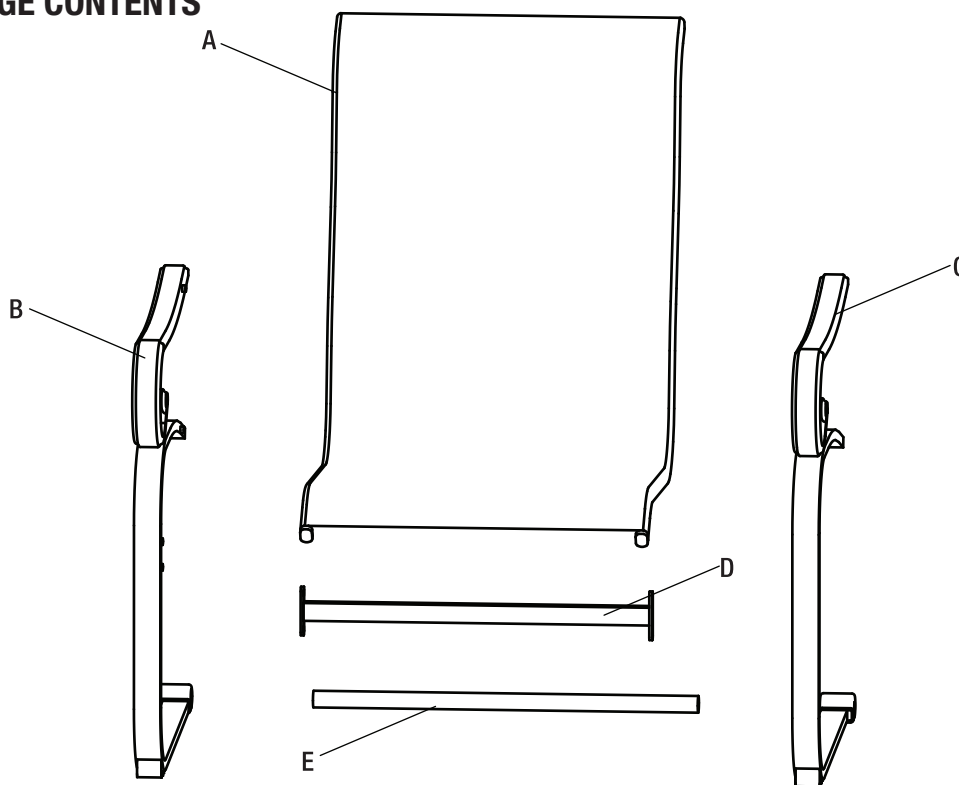


NOTE: Hardware not shown to actual size.



| Part | Description | Quantity |
|------|------------------------|----------|
| AA | M6x15 Combination Bolt | 38+2 |
| BB | M6x30 Combination Bolt | 24+1 |
| CC | M6x25 Bolt | 12+1 |
| DD | M6x25 Combination Bolt | 2+1 |
| EE | M8x30 Combination Bolt | 12+1 |
| FF | Hex Wrench | 2 |

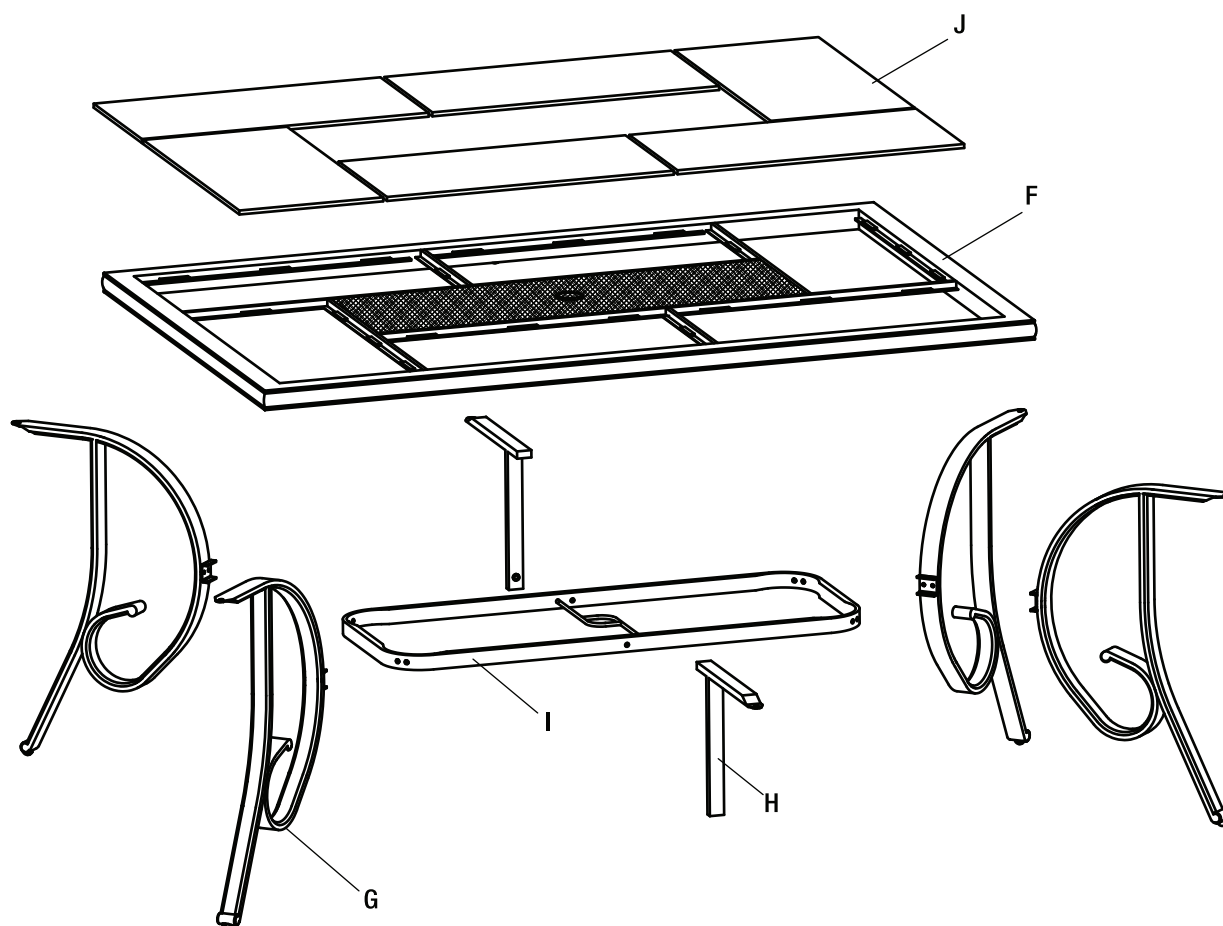
CHAIR PACKAGE CONTENTS



| Part | Description | Quantity |
|------|---------------|----------|
| A | Sling Bucket | 6 |
| B | Right Arm | 6 |
| C | Left Arm | 6 |
| D | Connector Bar | 6 |
| E | Support Bar | 6 |

Pre-assembly (continued)

TABLE PACKAGE CONTENTS

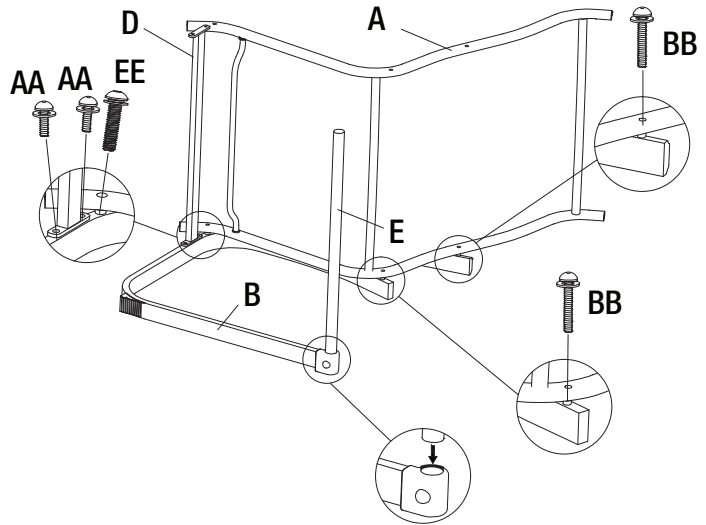


| Part | Description | Quantity |
|------|---------------|----------|
| F | Table Rim | 1 |
| G | Table Leg | 4 |
| H | Support Tube | 2 |
| I | Leg Connector | 1 |
| J | Tile | 6 |

Chair Assembly

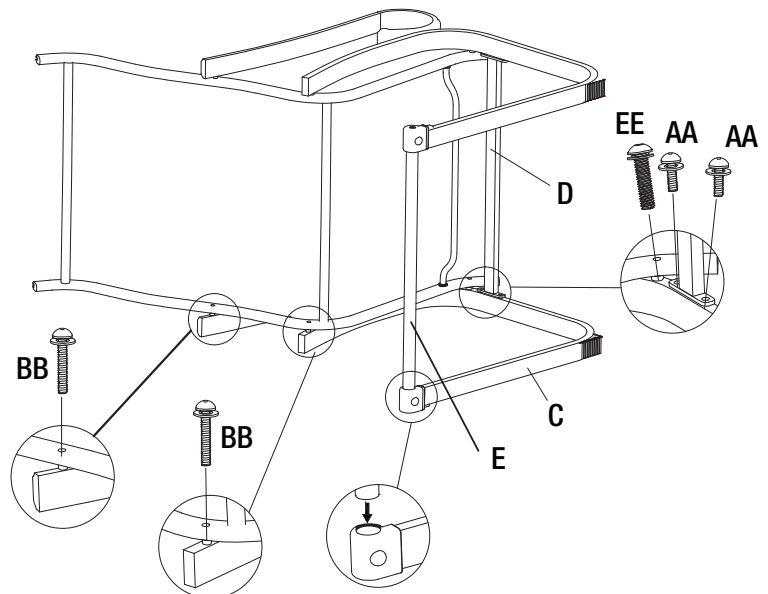
1 Connecting The Sling Bucket, Connector Bar And Support Bar To The Right Arm

- Place the right arm (B) on a soft surface.
- Attach the sling bucket (A) to the right arm (B) using M6x30 combination bolts (BB) and an M8x30 combination bolt (EE), as shown below.
- Attach the connector bar (D) to the right arm (B) using M6x15 combination bolts (AA).
- Insert the support bar (E) into the right arm (B).
- Do not tighten all bolts at this step.



2 Connecting The Sling Bucket, Connector Bar And Support Bar To The Left Arm

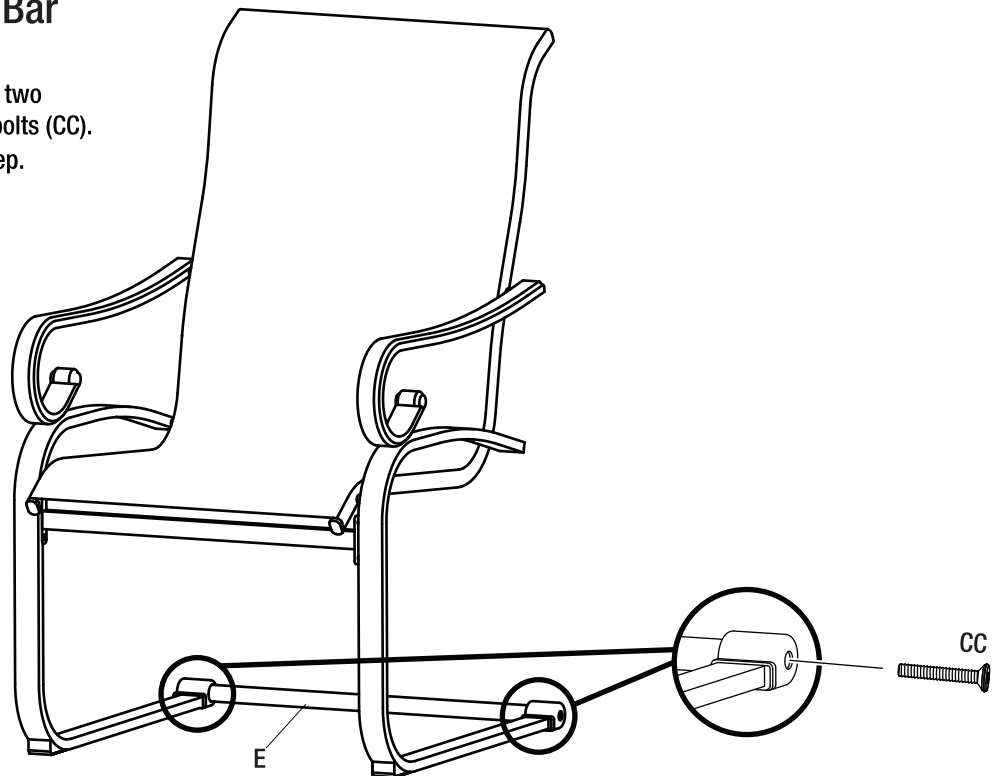
- Attach the sling bucket (A) to the left arm (C) using M6x30 combination bolts (BB) and an M8x30 combination bolt (EE), as shown below.
- Attach the connector bar (D) to the left arm (C) using M6x15 combination bolts (AA).
- Insert the support bar (E) into the left arm (C).
- Do not tighten all bolts at this step.



Chair Assembly (continued)

3 Securing The Support Bar

- Turn the chair right side up.
- Tighten the support bar (E) to the two chair arms (B & C) using M6x25 bolts (CC).
- Do not tighten all bolts at this step.



4 Tightening All Bolts

- Once all of the bolts are in place, fully tighten all the bolts using the hex wrench (FF).
- Ensure all connections are secure before use.

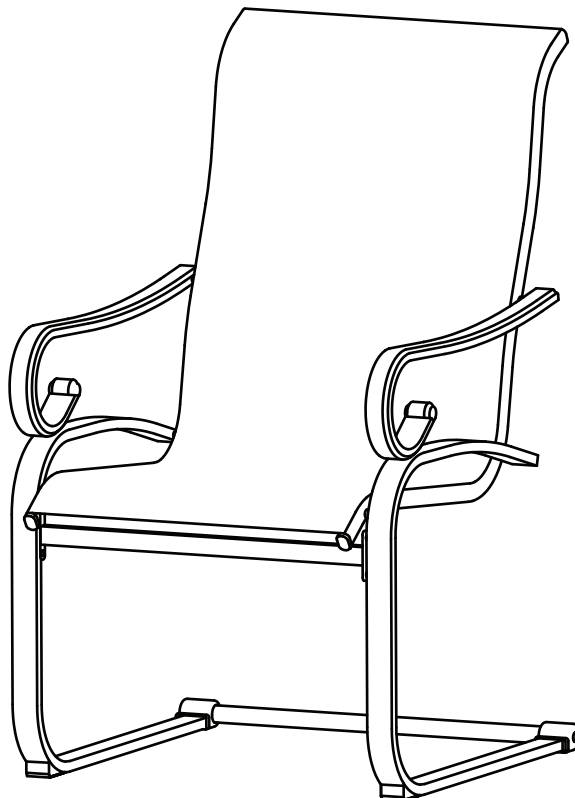
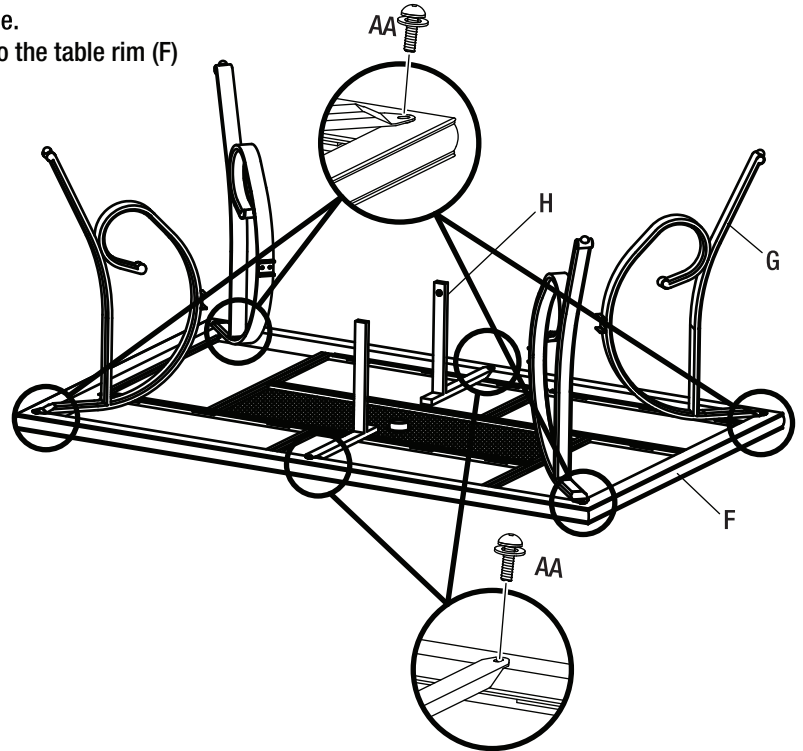


Table Assembly

1 Attaching The Table Legs And The Support Tubes To The Table Rim

- Place the table rim (F) upside down on a soft surface.
- Attach the table legs (G) and the support tubes (H) to the table rim (F) using M6x15 combination bolts (AA).
- Do not tighten all bolts at this step.



2 Attaching The Leg Connector To The Table Legs And The Support Tubes

- Attach the leg connector (I) to the table legs (G) using M6x15 combination bolt (AA).
- Attach the leg connector (I) to the support tubes (H) using M6x25 combination bolts (DD).
- Do not tighten all bolts at this step.

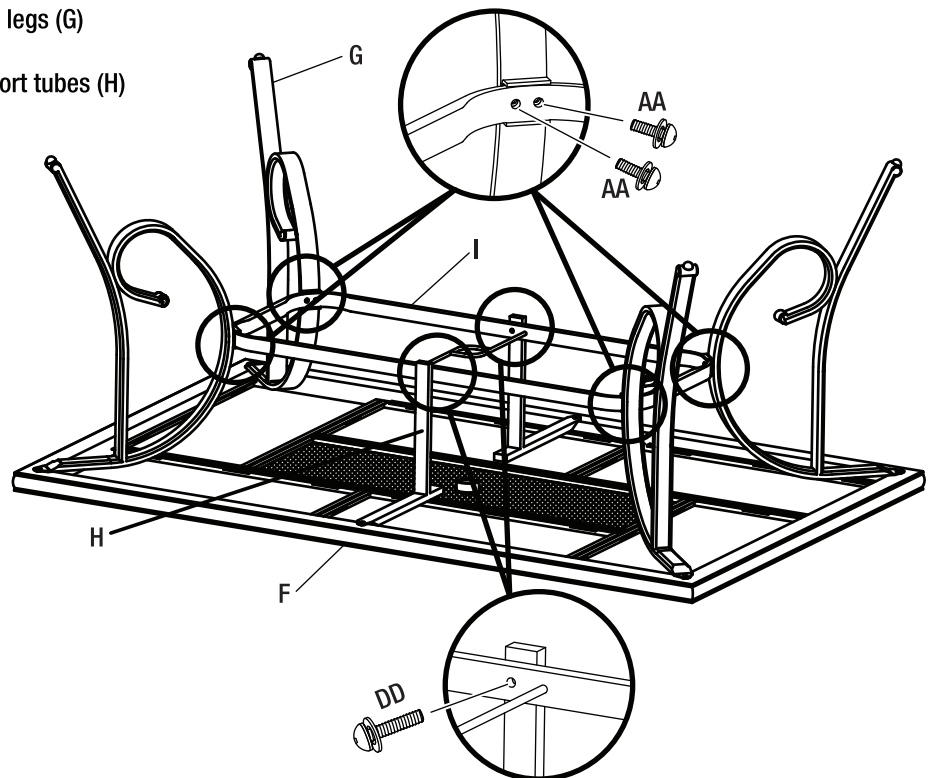
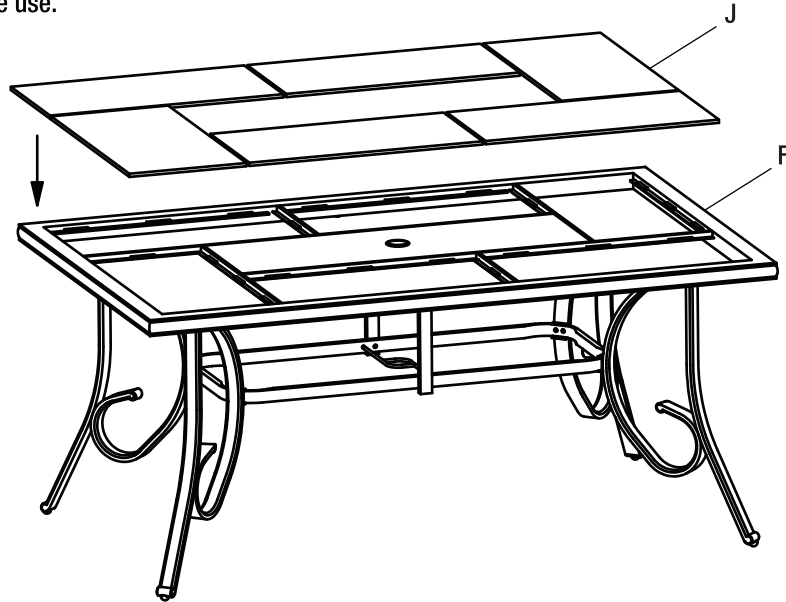


Table Assembly (continued)

3 Tightening All Bolts

- Once all of the bolts are in place, fully tighten all the bolts using the hex wrench (FF).
- Turn the table right side up and carefully place the tiles (J) into the table rim (F).
- Ensure all connections are secure before use.



Care and Cleaning

- For best results, clean the frame and fabric with a damp cloth and dry thoroughly. This will help prevent mildew by removing dirt particles that may accumulate.
- Do not clean with abrasive materials, bleach or solvents.
- Store the set in a dry, sheltered place when not in use.
- Keep the set away from fire, extreme heat, freezing conditions, and inclement weather such as rain, hail, sleet, snow, or wind.

HAMPTON BAY®

Questions, problems, missing parts? Before returning to the store,
call Hampton Bay Customer Service
8 a.m. – 7 p.m., EST, Monday – Friday, 9 a.m. – 6 p.m., EST, Saturday

1-855-HD-HAMPTON

HAMPTONBAY.COM

Retain this manual for future use.

| |
|-----------------------------------------------------------|
| For certification use only |
| Factory Chair ID: FCS60610R Factory Table ID: FTS61215 |