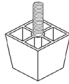
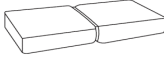
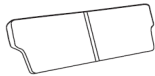
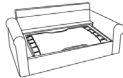
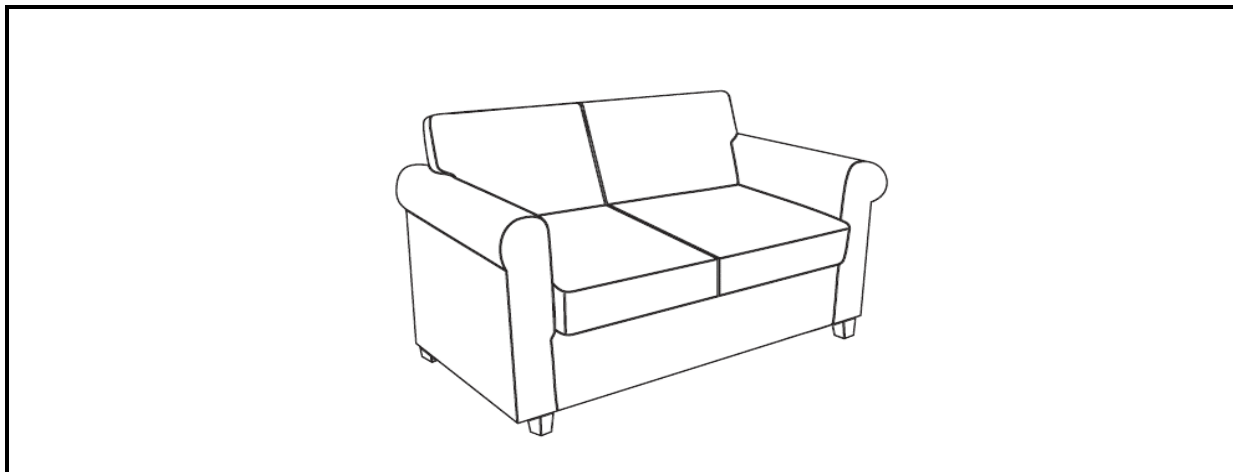


## Devon Sofa Sleeper

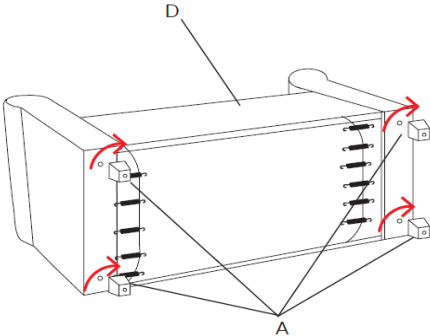
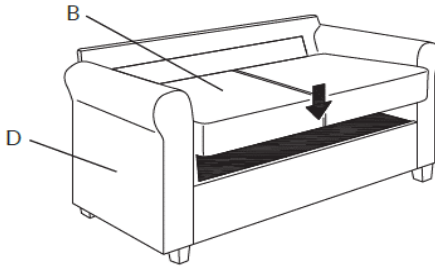
Avoid using sharp objects such as a knife to cut open packing as you may accidentally damage the upholstery.

PARTS LIST			
ITEM	DESCRIPTION	SKETCH	QUANTITY
A	Sofa Leg		4
B	Seat Cushions		1
C	Backrest Cushions		1
D	Sofa Body		1



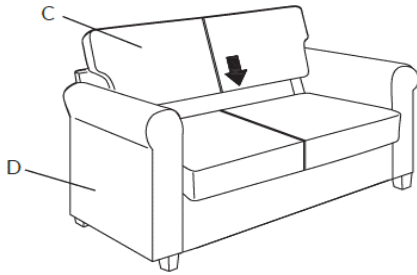
### ASSEMBLY INSTRUCTIONS

Do not fully tighten bolts until assembly is complete.

STEP 1	STEP 2
<p>Attach Legs (A) to Sofa Body (D) by inserting the Threaded</p> 	<p>Place Seat Cushion (B) onto Sofa Body (D).</p> 

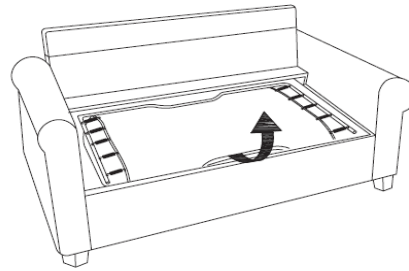
STEP 3

Place Backrest Cushion (C) onto Sofa Body (D).



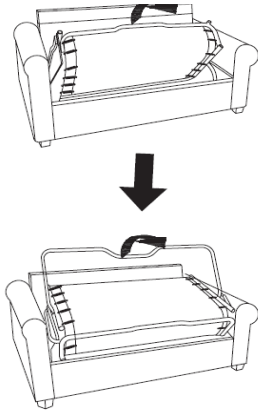
STEP 4

Remove the Seat Cushion and Backrest Cushion.



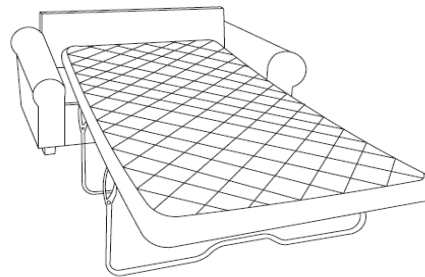
STEP 5

Grab the Handle and pull towards yourself to unfold.



STEP 6

Place the Mattress on pull out, the Sleeper is now ready to use.



**CLEANING INSTRUCTIONS:** Clean with a soft cloth, brush or lightly vacuum

**ADULT ASSEMBLY REQUIRED**

If you are missing any parts or have any questions regarding assembly, do not return this item to the retailers store. Please call our toll-free, customer service number and have this assembly manual open to the parts list ready to provide the model name, number and part name or number.



**Customer Service**

1-877-864-5752  
8:30 AM PST - 4:00 PM PST (Monday-Friday)  
Website: [www.dwellhom.com](http://www.dwellhom.com)  
Missing Parts: [parts@dwellhom.com](mailto:parts@dwellhom.com)  
Warranty Information: [www.dwellhom.com/warranty](http://www.dwellhom.com/warranty)