

# PERFORMANCE PLATINUM™



The new degree of comfort®

## PERFORMANCE PLATINUM™ High Efficiency Condensing Tankless Gas Water Heaters are designed to provide continuous hot water

### Efficiency

- .93 UEF with stainless steel condensing heat exchanger

### Easy Installation and Service

- **NEW! 2" venting connections**
- **NEW! Vent up to 150 ft with 3" PVC and 60 ft with 2" PVC**
- Built-in condensate neutralizer
- 1/2" Gas line compatibility up to 24 ft.<sup>1</sup>
- **NEW! Includes easy to install hanging bracket for time savings** (indoor models only)
- **Exclusive! Maintenance Notice Setting** – Alerts homeowner, after 500 hours of use, to call for service (optional)
- Self-diagnostic system for easy installation and service
- High-altitude capability – up to 8,400 ft. elevation above sea level<sup>2</sup>
- Digital remote control **now pre-wired!** 10 ft. of thermostat wire included – shows temperature setting and service codes
- Requires 120V power supply

### Performance

- **Industry Leading! Low Flow Activation** – Minimum flow rate of .26 GPM and minimum activation flow rate of .40 GPM ensures hot water even in low demand situations
- **Recirculation Pump Kit-Ready** – Providing faster hot water at the tap and savings of up to 12,000 gallons water/year<sup>3</sup>
- **Exclusive! Hot Start Programming** – Minimizes cold water bursts by staying in ready-fire state for back-to-back hot water needs

### Technology

- **EcoNet® Enabled** – all Tankless products from 2010 to present can connect to EcoNet mobile app via Tankless EcoNet Accessory Kit (REWRA630TWH)
- For higher demand applications, easily link multiple tankless units to operate as one system (20 units max. additional accessories required)

### Environmentally Friendly

- **Low Emissions** – Ultra low NOx burner meets SCAQMD rule 1146.2 requirements
- **Exclusive! Water Savings Setting** – Save up to 1,100 gallons water/year<sup>4</sup> by reducing flow at the tap until set temperature is achieved (optional)

### Safety

- **Exclusive! Overheat film wrap** – prevents dangerous temperatures and provides industry best side-to-side clearance of 1/2 inch
- Maximum water temperature is 140°F. For higher temperature applications, upgrade kits are available

### Warranty

- 12-Year heat exchanger – residential, 5-year heat exchanger – commercial, 5-year parts and 1-year labor

See Warranty Certificate for complete information



Indoor Direct Vent

Outdoor

## PERFORMANCE PLATINUM High Efficiency Condensing Tankless 11,000-199,900 BTU/h



LEED Points = 2

## EcoNet® PERFORMANCE PLATINUM Tankless Water Heater with EcoNet® WiFi Included



**ECO200DVLN-2**  
Indoor Direct Vent  
with EcoNet®  
11,000-199,900  
BTU/h Only  
(Outdoor model  
also available)

**Shares all efficiency, performance, technology, warranty and safety values as standard models, with added WiFi capability.**

### Smart Home Features

- Water leak detection alert and system shut off (indoor models only) – may qualify for insurance discounts
- Mobile alerts for notifications/maintenance reminders
- Mobile gas and water usage reports
- Integration with NEST & WINK smart home systems

### Product Includes

- Factory-installed translator
- Leak detection cable (for indoor models)
- Wi-Fi Module, connection cable and power cord

App available free in App Store and Google Play for Android





The new degree of comfort.

# PERFORMANCE PLATINUM™ Condensing Tankless Specifications

DESCRIPTION				FEATURES						ROUGHING IN DIMENSIONS (SHOWN IN INCHES)					ENERGY INFO.	
MODEL NUMBER	GAS INPUT BTU/H	TYPE	NUMBER OF BATHROOMS*	TEMP. RANGE	MIN. FLOW/ACTIVATION GPM	GPM @ 67° RISE MAX.	GPM @ 45° RISE MAX.	GPM @ 35° RISE MAX.	CONNECTION		HEIGHT	WIDTH	DEPTH	VENT DIAM.	SHIP WEIGHT (LBS.)	UNIFORM ENERGY FACTOR (UEF)
									WATER	GAS						
ECOH200DVLN-2	11,000-199,900	Indoor Direct Vent	4	85° to 140° F	0.26/0.40	5.7	8.5	9.5	3/4	3/4	27-1/2	18-1/2	9-3/4	2" or 3" PVC 2-Pipe	82	0.93
ECOH200DVELN-2 (EcoNet® Included)	11,000-199,900	Indoor Direct Vent	4	85° to 140° F	0.26/0.40	5.7	8.5	9.5	3/4	3/4	27-1/2	18-1/2	9-3/4	2" or 3" PVC 2-Pipe	82	0.93
ECOH200XLN-2	11,000-199,900	Outdoor	4	85° to 140° F	0.26/0.40	5.6	8.5	9.5	3/4	3/4	27-1/2	18-1/2	9-3/4	N/A	82	0.93
ECOH200XELN-2 (EcoNet® Included)	11,000-199,900	Outdoor	4	85° to 140° F	0.26/0.40	5.6	8.5	9.5	3/4	3/4	27-1/2	18-1/2	9-3/4	N/A	82	0.93
ECOH180DVLN-2	11,000-180,000	Indoor Direct Vent	3 - 4	85° to 140° F	0.26/0.40	5.2	7.7	9.0	3/4	3/4	27-1/2	18-1/2	9-3/4	2" or 3" PVC 2-Pipe	82	0.93
ECOH180DVELN-2 (EcoNet® Included)	11,000-180,000	Indoor Direct Vent	3 - 4	85° to 140° F	0.26/0.40	5.2	7.7	9.0	3/4	3/4	27-1/2	18-1/2	9-3/4	2" or 3" PVC 2-Pipe	82	0.93
ECOH180XLN-2	11,000-180,000	Outdoor	3 - 4	85° to 140° F	0.26/0.40	5.2	7.7	9.0	3/4	3/4	27-1/2	18-1/2	9-3/4	N/A	82	0.93
ECOH180XELN-2 (EcoNet® Included)	11,000-180,000	Outdoor	3 - 4	85° to 140° F	0.26/0.40	5.2	7.7	9.0	3/4	3/4	27-1/2	18-1/2	9-3/4	N/A	82	0.93
ECOH160DVLN-2	11,000-157,000	Indoor Direct Vent	3	85° to 140° F	0.26/0.40	4.6	6.7	8.4	3/4	3/4	27-1/2	18-1/2	9-3/4	2" or 3" PVC 2-Pipe	82	0.93
ECOH160XLN-2	11,000-157,000	Outdoor	3	85° to 140° F	0.26/0.40	4.5	6.7	8.4	3/4	3/4	27-1/2	18-1/2	9-3/4	N/A	82	0.93

\*Based on simultaneous showers using 2.5 GPM flow rate pre-mixed with cold water line. Flow rates vary depending on temperature of incoming cold water and water heater set temperature. Refer to flow rate curves for accurate sizing.

Uniform Energy Factor and Energy Factor based on Department of Energy (D.O.E.) requirements.

All models are available in Natural Gas and Propane (LP). For Propane replace the N with P when ordering.

SCAQMD 1146.2 compliant.

Factory set maximum temperature is 120° F. See Use and Care Manual for setting.

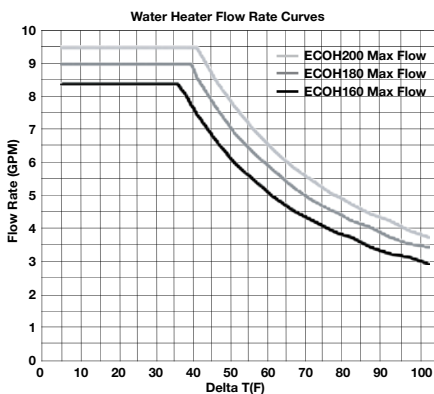
Consult factory for information on sizing the application.

Vent Termination Kits are required for Direct Vent models. Contact your distributor for details.

Proper gas pressure must be ensured to supply tankless gas water heaters – up to 199,900 BTU/h for ECOH200 models, up to 180,000 BTU/h for ECOH180 models, up to 157,000 BTU/h for ECOH160 models. (Consult your gas supplier)

Model Number	Temperature Rise (° F)								
	35°	45°	50°	60°	67°	70°	80°	90°	100°
ECOH200 Water Flow (GPM)	9.5	8.5	7.7	6.4	5.7	5.5	4.8	4.3	3.8
ECOH180 Water Flow (GPM)	9.0	7.7	6.9	5.8	5.2	4.9	4.3	3.8	3.5
ECOH160 Water Flow (GPM)	8.4	6.7	6.0	5.0	4.6	4.3	3.8	3.3	3.0

Above estimates are for sizing purposes only.



### Maximum Vent Length (intake/outlet):

NUMBER OF 90° ELBOWS	MAXIMUM LENGTH OF 2" STRAIGHT PIPE*	MAXIMUM LENGTH OF 3" STRAIGHT PIPE
0	60 ft.	150.0 ft.
1	57 ft.	148.5 ft.
2	54 ft.	147.0 ft.
3	51 ft.	145.5 ft.
4	48 ft.	144.0 ft.
5	45 ft.	142.5 ft.
6	42 ft.	141.0 ft.

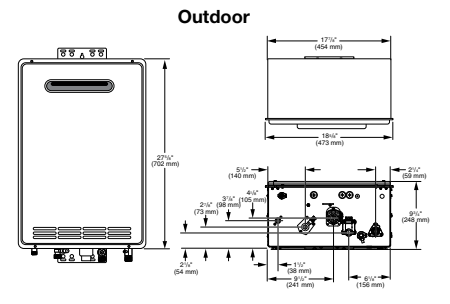
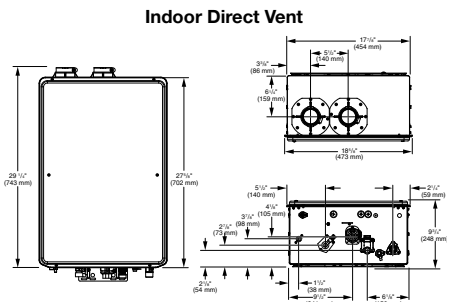
\*Dip switch setting change required to achieve 60 ft. maximum vent length on 2" straight pipe. Max length for 2" straight pipe is 22 ft. with factory default settings.

<sup>1</sup> Based on Rheem testing of 1/2" gas line with gas supply of 7" w.c. up to 24'; Installation conditions vary; Consult the Rheem® Use and Care Manual, the Rheem® Gas Piping Facts brochure (TK-GPF-12), the National Fuel Gas Code (NFPA 54, ANSI Z223.1), and any other local gas codes when installing a Rheem Tankless Water Heater.

<sup>2</sup>Contact customer service for exact altitude rating for each model.

<sup>3</sup>Pump kit designed for single unit applications only.

<sup>4</sup>Savings based on DOE test procedures.



### Parts and Accessories

Venting & terminations – 2" or 3" PVC, recess boxes, pipe covers, extra remote controls, EZ-Link™ cable, manifolds and cables, service valve kits, service parts, flush kits, recirculation pump kits and AllClear™ water treatment system. For more information on Tankless parts and accessories, see the Parts and Accessories Catalog or call 866-720-2076.

In keeping with its policy of continuous progress and product improvement, Rheem reserves the right to make changes without notice.