

Features

- Single-lever handle is simple to use and makes adjusting water temperature easy.
- High-arch swivel spout offers superior clearance for filling pitchers and cleaning.
- KOHLER ceramic disc valves exceed industry longevity standards for a lifetime of durable performance.
- DockNetik® magnetic docking system securely locks the sprayhead into place when not in use.
- Two-function pull-down sprayhead allows you to switch from aerated stream to Sweep® spray.
- Sweep® spray features specially angled nozzles that form a wide, powerful blade of water to sweep your dishes and sink clean.
- MasterClean™ sprayface features an easy-to-clean surface that withstands mineral buildup.
- Includes soap/lotion dispenser.
- 1.5 gpm (5.7 lpm) maximum flow rate at 60 psi (4.14 bar).

Material

- Premium metal construction for durability and reliability.
- Select KOHLER finishes feature ScratchShield® technology which withstands even the toughest daily use.

Installation

- Installs with 1-, 2-, 3-, or 4- hole sink (escutcheon plate included).
- Flexible supply lines and quick-connect fittings simplify installation.
- Longer shank works with countertops up to 2½" inches thick and is easy to install.

Recommended Products/Accessories

K-23723 Faucet cleaner



ADA **CSA B651**

Codes/Standards


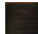
ASME A112.18.1/CSA B125.1
 NSF/ANSI 61
 NSF/ANSI 372
 All applicable US Federal and State material regulations
 DOE - Energy Policy Act 1992
 California Energy Commission (CEC)
 ADA
 ICC/ANSI A117.1
 CSA B651

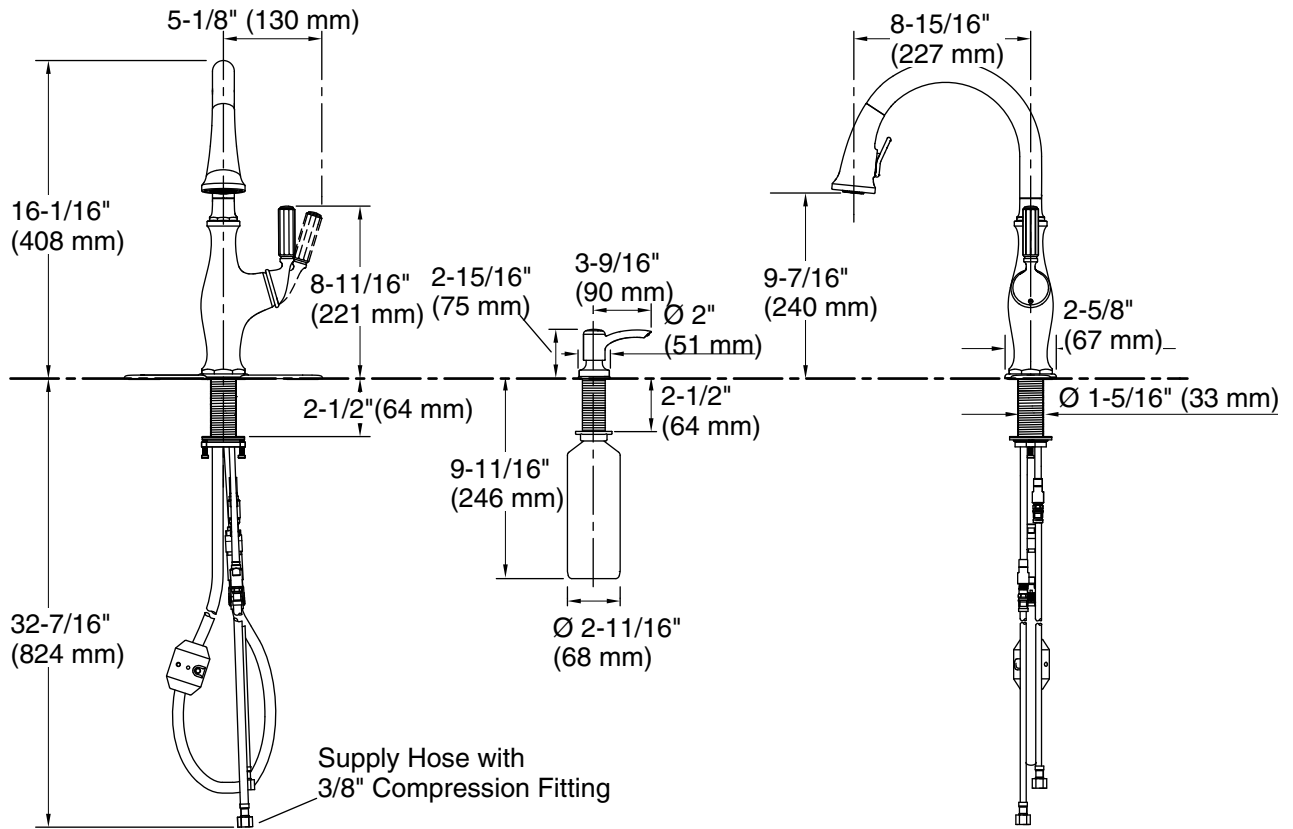
KOHLER® Faucet Lifetime Limited Warranty

See website for detailed warranty information.

Available Colors/Finishes

Color tiles intended for reference only.

Color	Code	Description
	VS	Vibrant® Stainless
	2BZ	Oil-Rubbed Bronze



Technical Information

All product dimensions are nominal.

Valve body: Machined-brass

Spout:

Spout reach: 8-15/16" (227 mm)

Notes

Install this product according to the installation guide.

ADA compliant for faucet handles only.

ADA, CSA B651 compliant when installed to the specific requirements of these regulations.