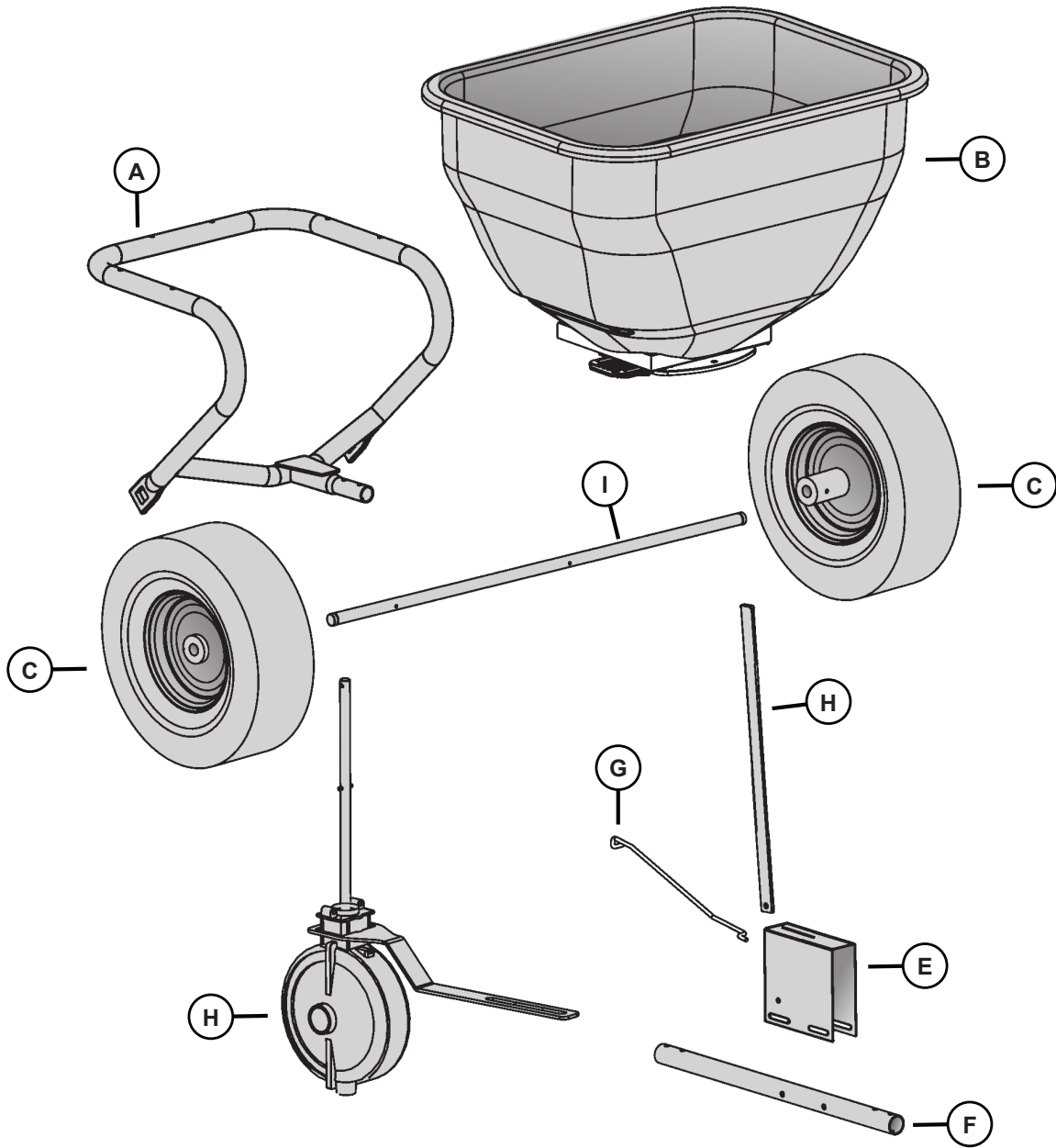
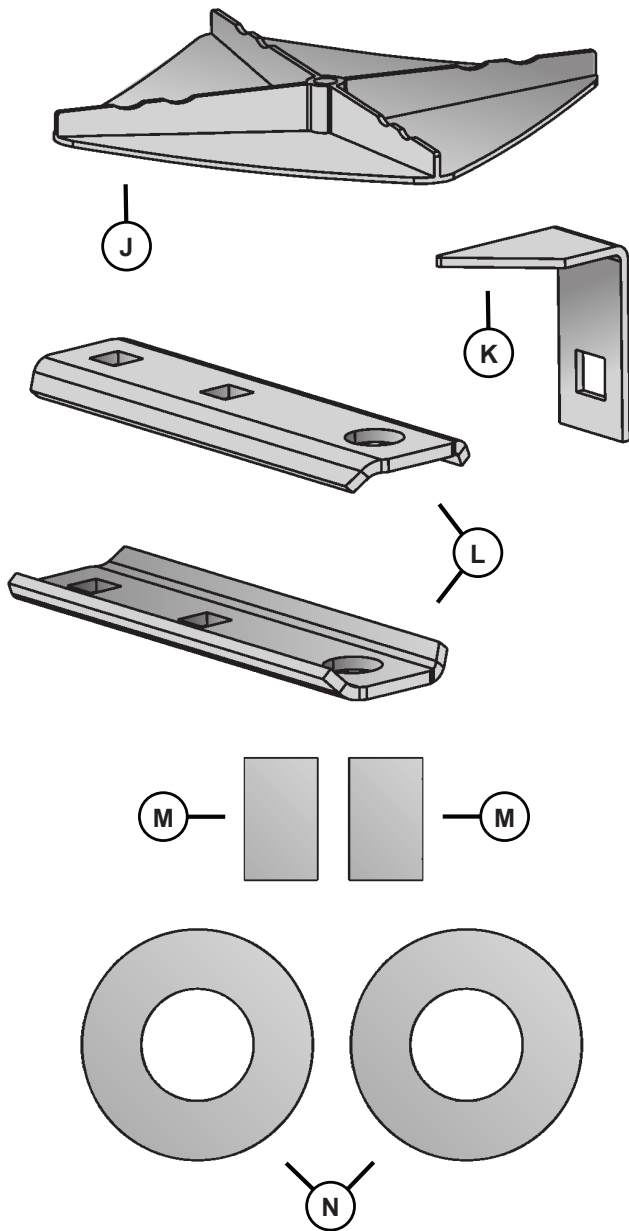


Parts



Ref.	Description	Qty.	Ref.	Description	Qty.
(A)	Support Frame, Hopper	1	(F)	Tube, Tow	1
(B)	Hopper Assembly	1	(G)	Link Rod	1
(C)	Wheel	2	(H)	Transmission and Bracket	1
(D)	Handle, Flow Control	1	(I)	Axle	1
(E)	Gage Plate	1			

Parts



Hardware Bag (1019850)

Contents illustrated above

Ref.	Description	Qty.
(J)	Fan	1
(K)	Handle Stop	1
(L)	Clevis, Hitch	2
(M)	Spacer, 3/8 in. wide - for composite (plastic) rim wheels	2
(N)	Washer, 5/8 in. for composite (plastic) rim wheels	2

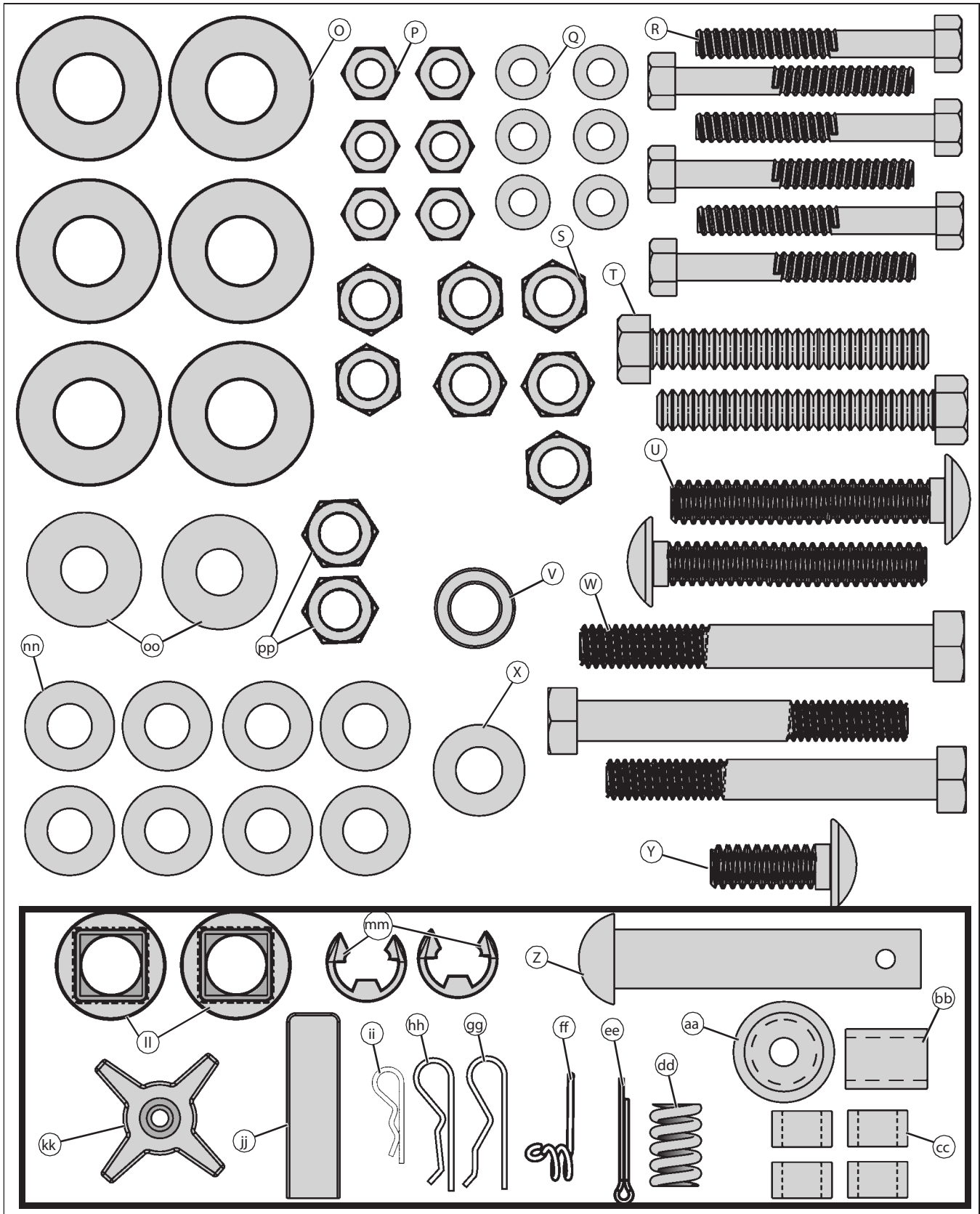
Hardware Skin Pack (Z-1912)

Contents illustrated on page 7

Ref.	Description	Qty.
(O)	Washer, Flat, 5/8 in.	6
(P)	Nylon Locknut, 1/4 in.	6
(Q)	Nylon Washer, Flat, 1/4 in.	6
(R)	Bolt, Hex, 1/4 x 1-3/4 in.	6
(S)	Nylon Locknut, 5/16 in.	7
(T)	Bolt, Hex, 5/16 x 2-1/4 in.	2
(U)	Carriage Bolt, 5/16 x 2 in.	2
(V)	O-Ring, 3/8 in.	1
(W)	Bolt, Hex, 5/16 x 2-3/4 in.	3
(X)	Washer, Curved Spring	1
(Y)	Carriage Bolt, 5/16 x 3/4 in.	1
(Z)	1 Hitch Pin, 1/2 x 2-1/2 in.	1
(aa)	Fan Driver	1
(bb)	Spacer, Latch	1
(cc)	Bushing, Pivot Plate	4
(dd)	Spring, Latch	1
(ee)	Cotter Pin, 1/8 x 1 in.	1
(ff)	Agitator Spring	1
(gg)	Spring Locking Pin <i>Open-Style</i>	1
(hh)	Spring Locking Pin <i>Large Closed-Style</i>	1
(ii)	Spring Locking Pin <i>Small Closed-Style</i>	1
(jj)	Grip, Flat	1
(kk)	Knob, 4-Prong	1
(ll)	Bearing, Axle	2
(mm)	Snap Ring, E-Type	2
(nn)	Washer, Flat, 5/16 in.	8
(oo)	Washer, Special	2
(pp)	Nut, Hex, 5/16 in.	2

Parts

Hardware Skin Pack (Z-1912)



Picture Note: Parts shown above are full size except items in box.

MX48217