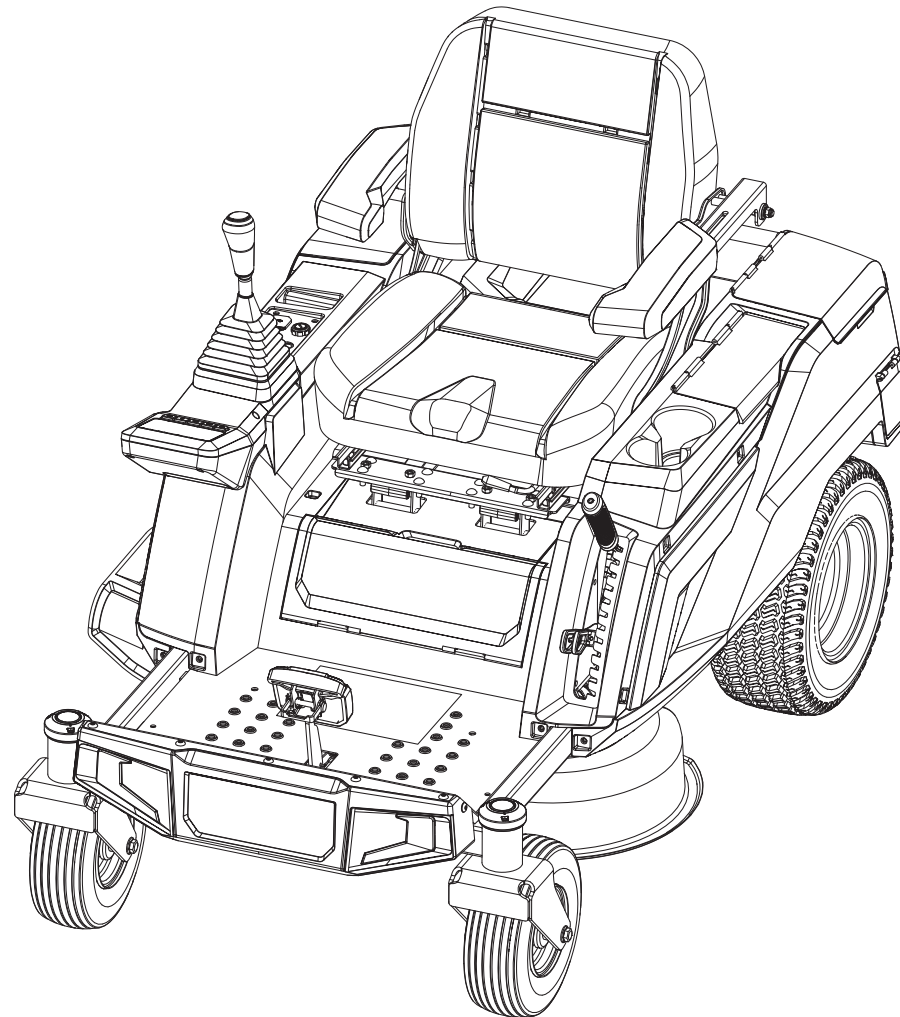


# REPLACEMENT PARTS LIST

BRAND <b>RYOBI</b>		DESCRIPTION <b>30 in. Riding Lawn Mower</b>
MODEL NO. <b>RYRM8001</b>	MFG. NO. <b>099269009</b>	



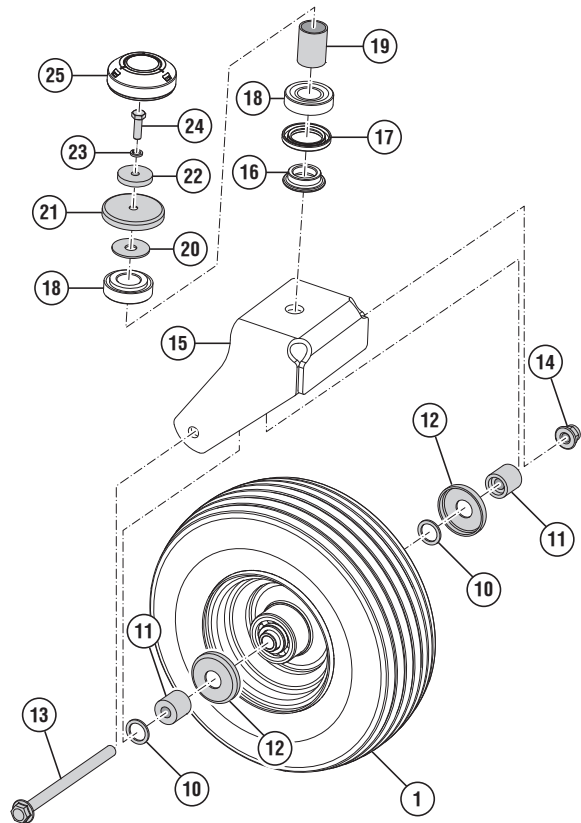
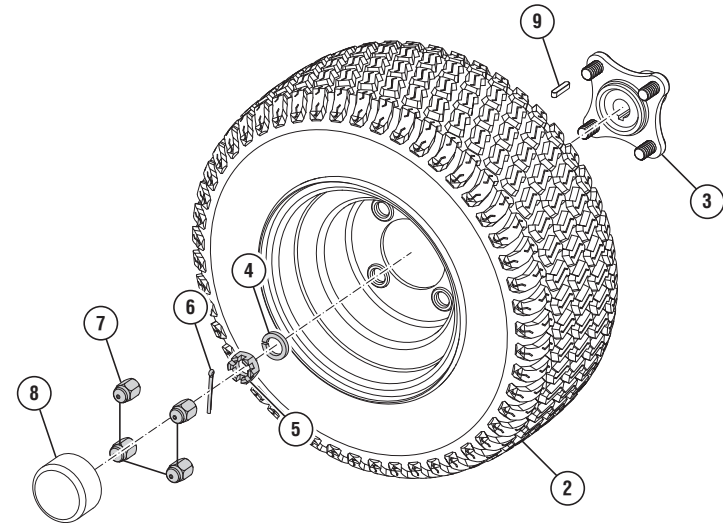
**TECHTRONIC INDUSTRIES POWER EQUIPMENT**  
P.O. Box 1288, Anderson, SC 29622 ■ 1-800-525-2579 ■ [www.ryobitools.com](http://www.ryobitools.com)

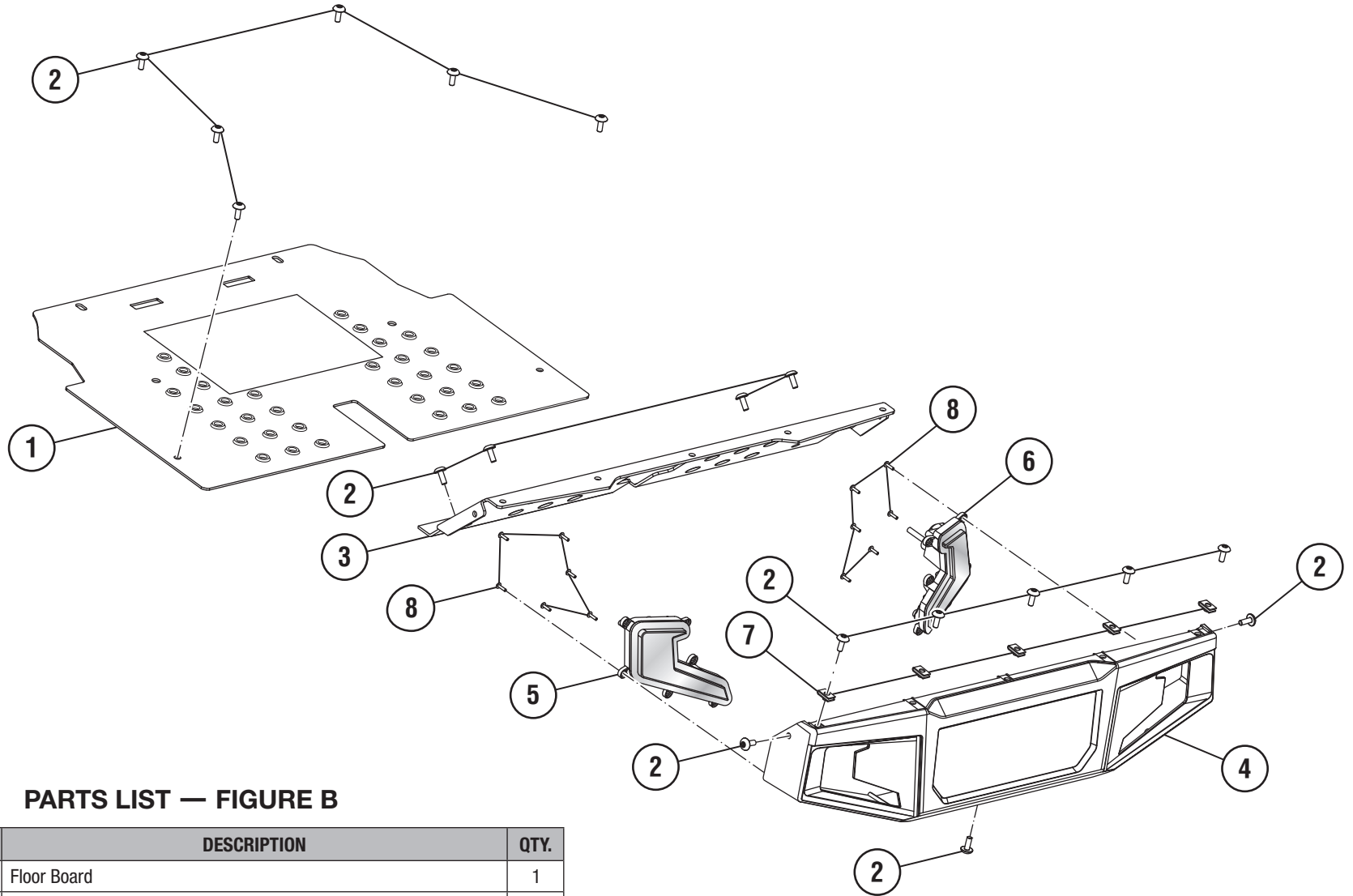
999000395  
3-5-24 (REV:01)

*The model number and manufacturing location will be found on a label attached to the product. Always mention this information in all communications regarding this product and when ordering parts.*

### PARTS LIST — FIGURE A

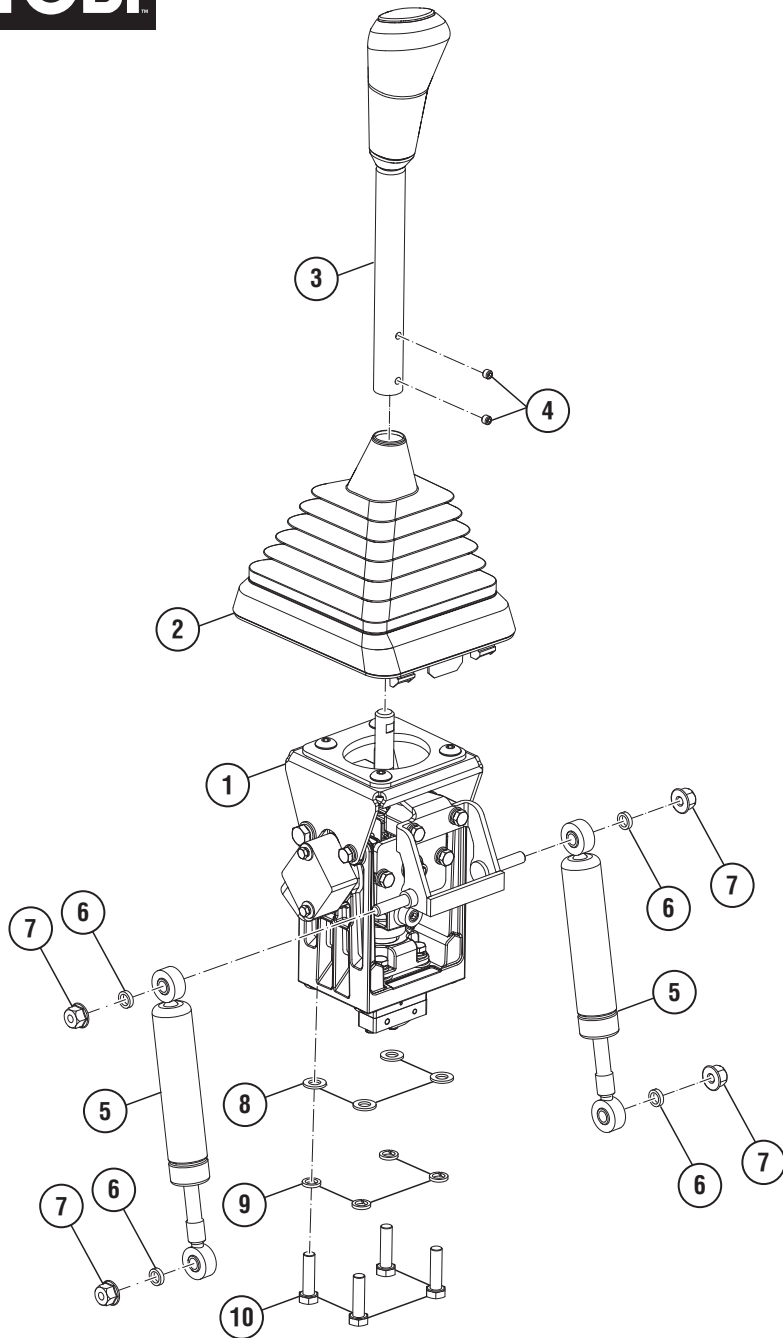
KEY NO.	PART NO.	DESCRIPTION	QTY.
1	997000013	Front Wheel Assembly	2
2	997000050	Rear Wheel Assembly	2
3	996987001	Wheel Hub	2
4	997134001	Lock Spring Washer (ID20.6 x OD30.6 x 4.8T)	2
5	997138001	Castle Nut (M20)	2
6	997139001	Cotter Pin	2
7	997143001	Acorn Nut (M14)	8
8	996029001	Wheel Hub Cover	2
9	996988001	Key (6 mm x 6 mm x 30 mm)	2
10	994842001	Washer (ID20.5 x OD28 x 4T)	4
11	997000012	Wheel Spacer	4
12	994857001	Bearing Cover	4
13	997000292	Flange Bolt (M12 x 160 mm, Hex Hd.)	2
14	996999001	Flange Nut (M12)	2
15	997000011	Caster Fork	2
16	996991001	Bearing Assembly Base	2
17	997125001	Rubber Seal	2
18	997000010	Tapered Roller Bearing (ID 25 mm x OD 52 mm)	4
19	996993001	Bearing Assembly Spacer	2
20	997036001	Fender Washer (ID12.5 x OD40 x 2t)	2
21	996994001	Bearing Assembly Cap	2
22	996995001	Fender Washer (ID8.4 x OD37 x 6t)	2
23	994770001	Lock Washer (M8)	2
24	996046001	Bolt (M8 x 25 mm)	2
25	997130001	Caster Fork Cover	2
	<b>Not Shown:</b>		
	998000964	Operator's Manual	





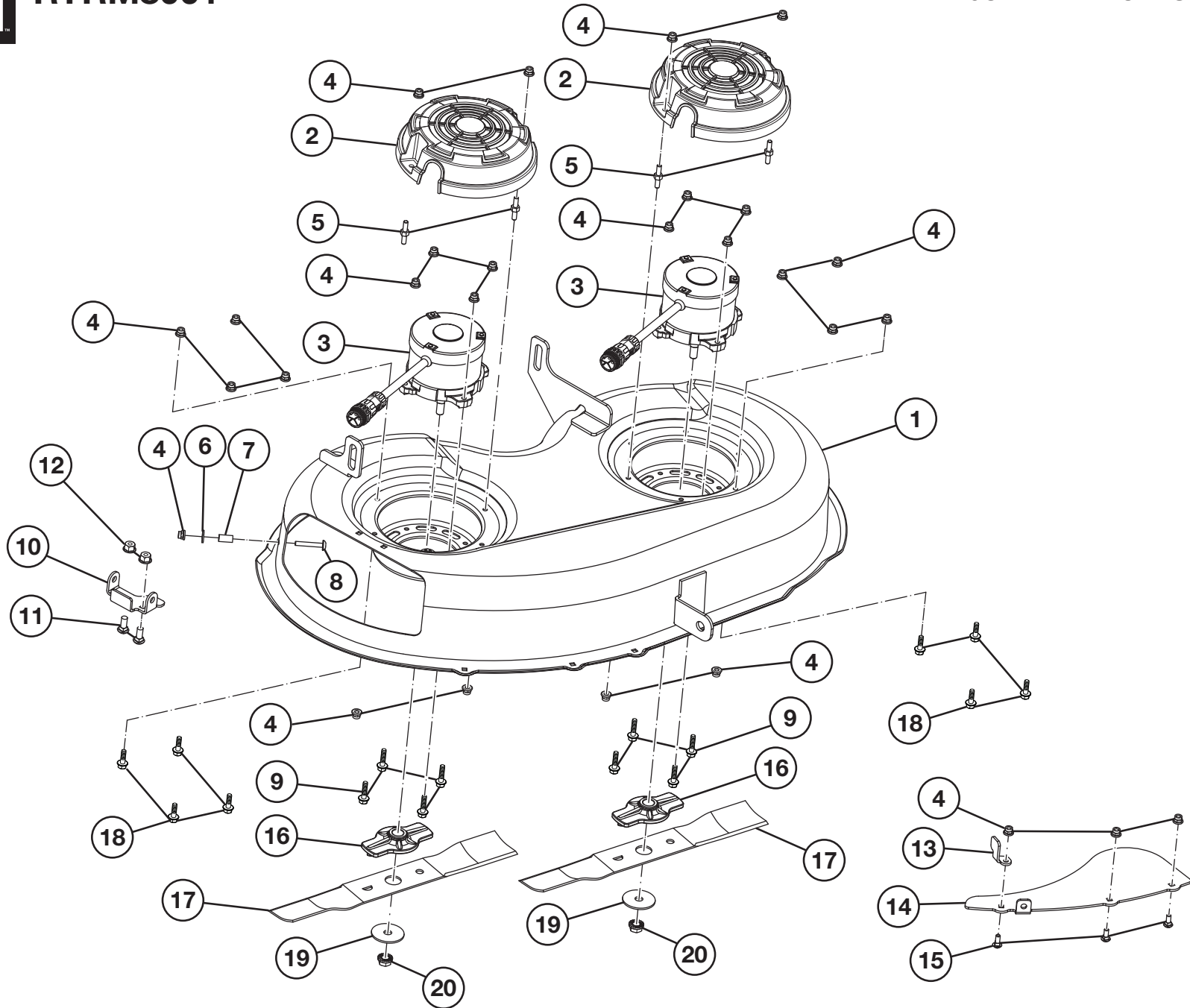
**PARTS LIST — FIGURE B**

KEY NO.	PART NO.	DESCRIPTION	QTY.
1	997000055	Floor Board	1
2	994989001	Screw (M6 x 16 mm, Torx Hd.)	18
3	997000060	Foot Rest	1
4	997000061	Front Fascia	1
5	997000063	LED Headlight Assembly (Right)	1
6	997000062	LED Headlight Assembly (Left)	1
7	994785001	Clip-On Nut (M6)	5
8	997094001	Screw (M3 x 12 mm, Pan Hd.)	12



**PARTS LIST — FIGURE C**

KEY NO.	PART NO.	DESCRIPTION	QTY.
1	099269001055	Joystick Assembly	1
2	994000002	Joystick Bellow Assembly	1
3	997000029	Upper Joystick Handle	1
4	997000165	Set Screw (M6 x 5 mm)	2
5	099270008044	Self-Centering Damper	2
6	997000035	Damper Bushing	4
7	994867001	Flange Nut (M8)	4
8	994771001	Washer (ID8.4 x OD16 x 1.6t)	4
9	994770001	Spring Washer (M8)	4
10	997000161	Screw (M8 x 30 mm, Hex Hd.)	4



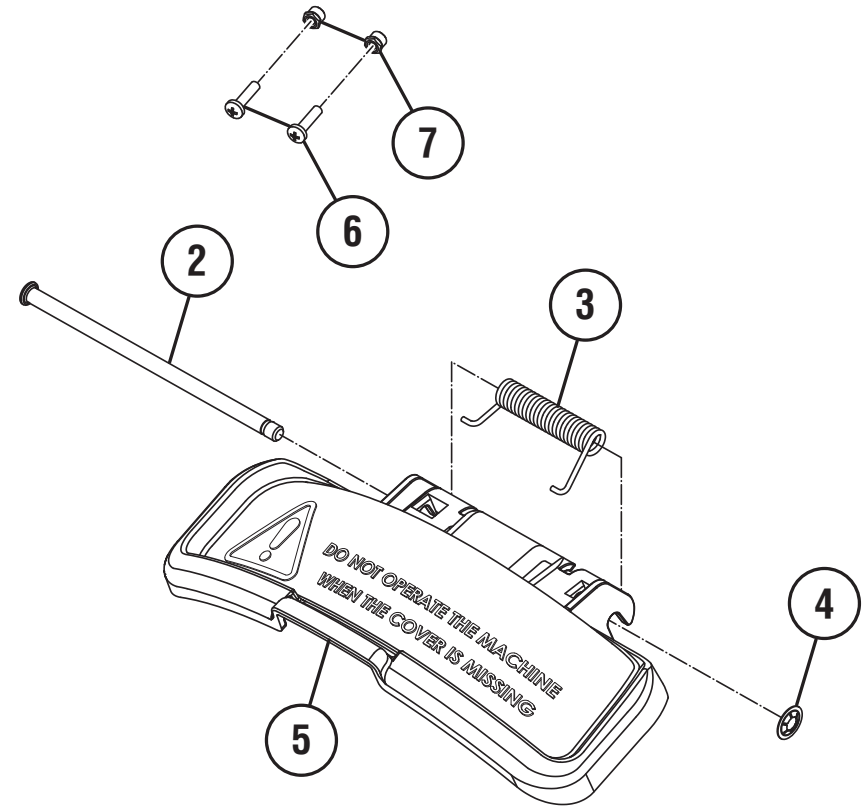
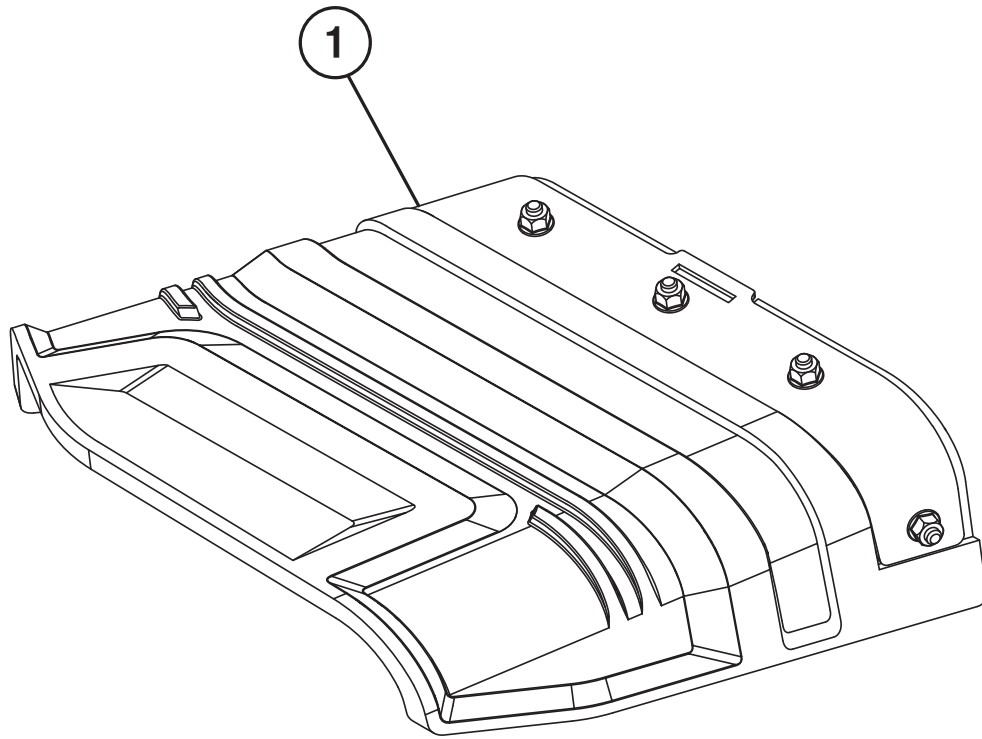


RYRM8001

PARTS LIST — FIGURE D

KEY NO.	PART NO.	DESCRIPTION	QTY.
1	997000022	30 in. Deck	1
2	997229001	Motor Cover	2
3	997000023	Deck Motor	2
4	996251001	Lock Nut (M6 x 1.00, Flange Hd.)	28
5	997324001	Stud (M6)	4
6	996034001	Washer (M6)	1
7	996039001	Mounting Shaft	1
8	996250001	Screw (M6 x 40 mm)	1
9	996057001	Bolt (M6 x 25 mm, Flange Hex Hd.)	8
10	997242001	Deck Bracket	1
11	994791001	Carriage Bolt (M6 x 16 mm)	2
12	996251001	Flange Nut (M6)	2

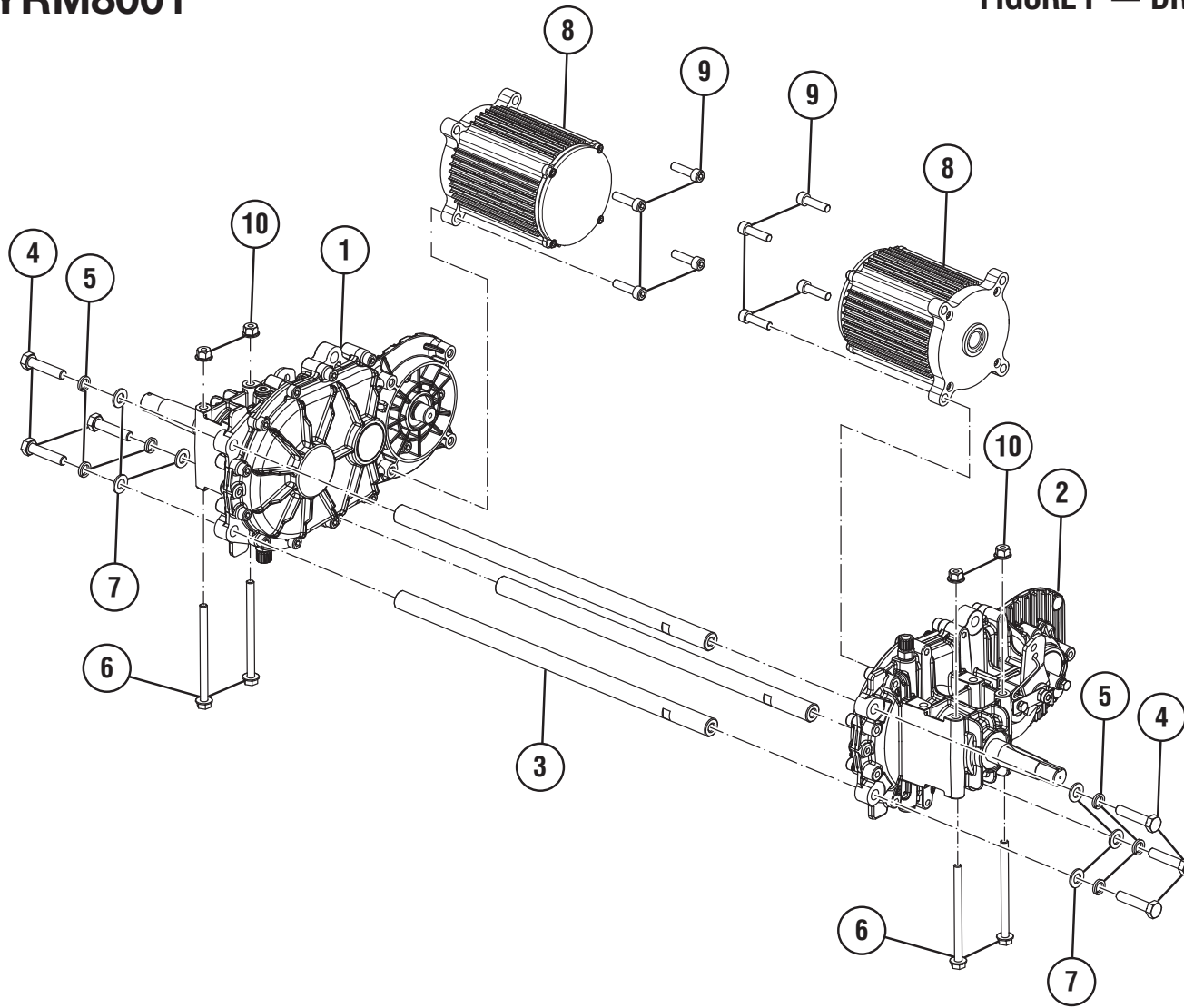
KEY NO.	PART NO.	DESCRIPTION	QTY.
13	997000083	Side Deflector Stop	1
14	997327001	Baffle	1
15	994791001	Carriage Bolt (M6 x 16 mm)	3
16	997920001	Crosscut Blade Adapter	2
17	997000024	Blade	2
18	997105001	Bolt (M6 x 14mm, Flange Hex Hd.)	8
19	997028001	Blade Retainer Washer	2
20	996261001	Flange Lock Nut (M10)	2
	<b>NOT SHOWN:</b>		
	682651001	Crosscut Top Blade	2
	682652001	Crosscut Bottom Blade	2



**PARTS LIST — FIGURE E**

KEY NO.	PART NO.	DESCRIPTION	QTY.
1	997000025	Side Discharge Chute Assembly	1
2	994981001	Discharge Chute Hinge	1
3	997326001	Discharge Chute Spring	1
4	996292001	Push-On Retainer Clip	1

KEY NO.	PART NO.	DESCRIPTION	QTY.
5	997000026	Mulch Plug Assembly (Inc. Key Nos. 6-9)	1
6	997000150	Screw (M4 x 15 mm)	2
7	996301001	Lock Nut (M4)	2

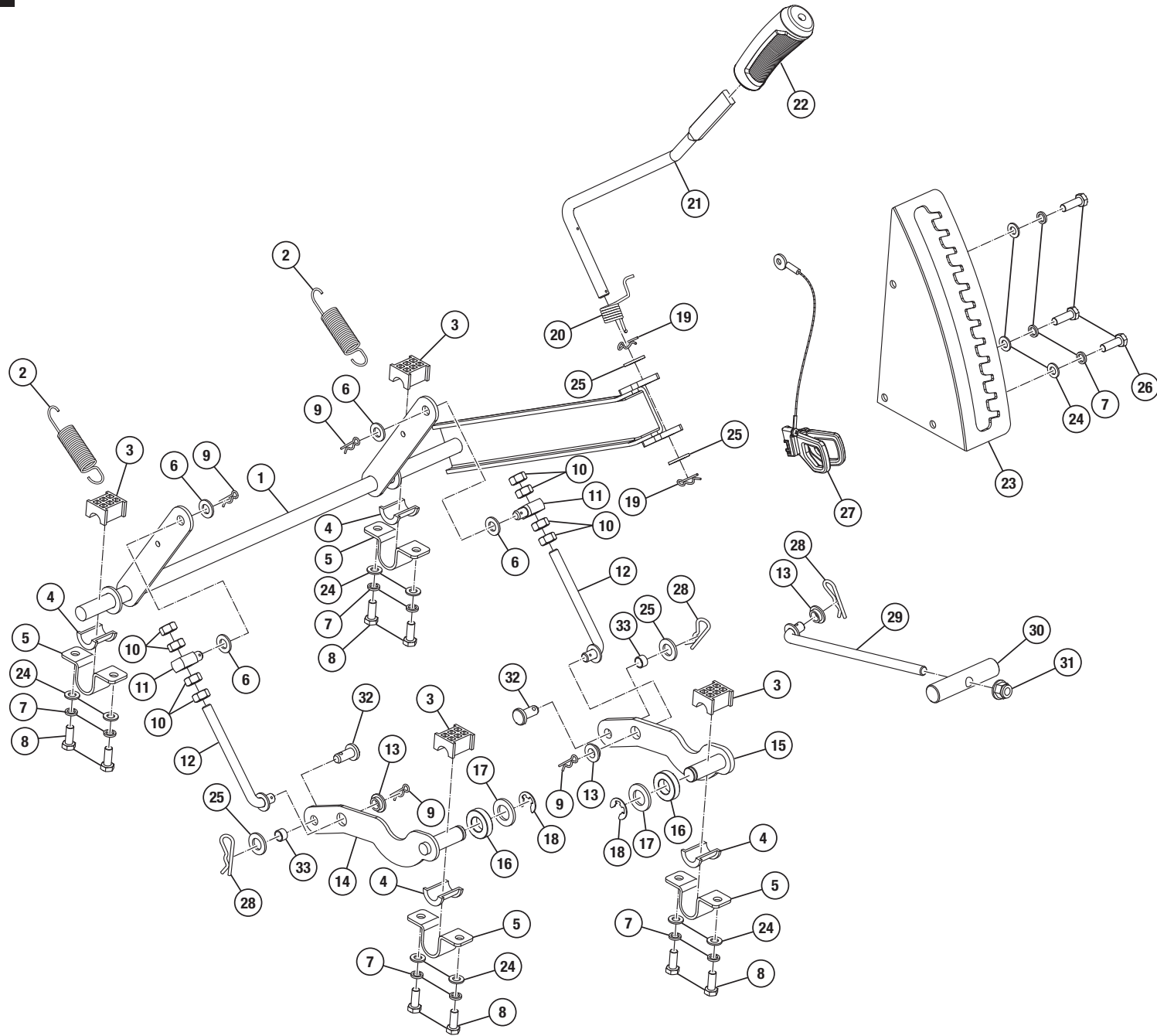


**PARTS LIST — FIGURE F**

KEY NO.	PART NO.	DESCRIPTION	QTY.
1	997158000	Gearbox Assembly (Left)	1
2	997159001	Gearbox Assembly (Right)	1
3	997000064	Tie Rod	3
4	996323001	Bolt (M10 x 45 mm, Hex Hd.)	6
5	994998001	Lock Spring Washer (ID10.9 x OD16.1 x 2.6T)	6

KEY NO.	PART NO.	DESCRIPTION	QTY.
6	997088001	Flange Bolt (M8 x 110 mm, Hex Hd.)	4
7	994996001	Washer (M10)	6
8	997000300	80V Drive Motor	2
9	997000231	Screw (M8 x 30 mm, Soc. Hd.)	8
10	994867001	Flange Nut (M8)	4





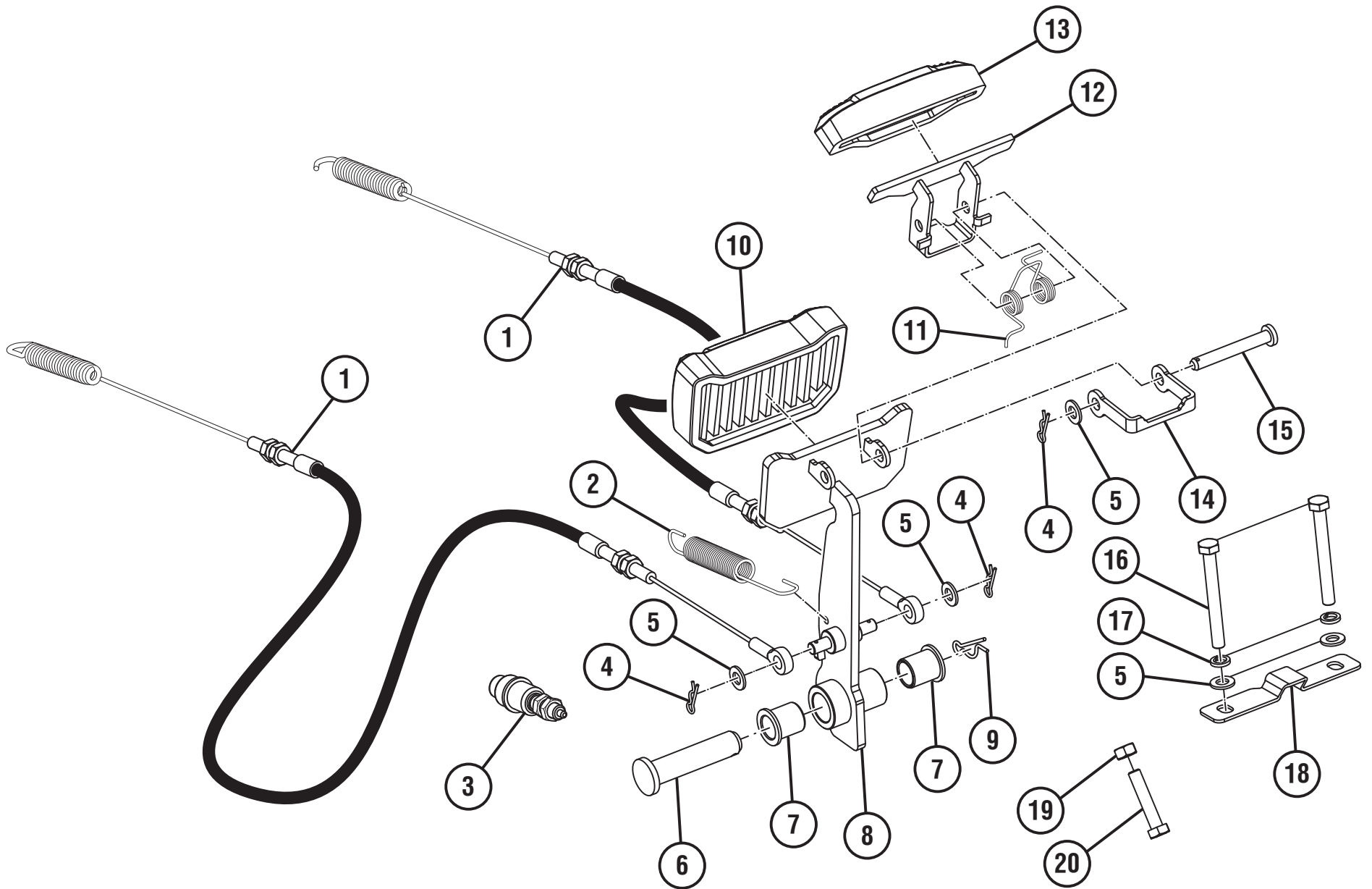


**RYRM8001**

**PARTS LIST — FIGURE G**

KEY NO.	PART NO.	DESCRIPTION	QTY.
1	997000017	Deck Lift Linkage and Axle Assembly	1
2	997844001	Deck Lift Spring	2
3	997310001	Deck Lift Axle Bushing Top	4
4	997309001	Deck Lift Axle Bushing Bottom	4
5	997308001	Deck Lift Axle Mount	4
6	994996001	Washer (M10)	4
7	994770001	Lock Washer (M8)	11
8	997374001	Bolt (M8 x 20 mm)	8
9	996264001	Cotter Pin (10 mm)	4
10	996263001	Nut (M10)	8
11	997318001	Hanger Stud	2
12	997000016	J-Hook Deck Hanger	2
13	997360001	Lifting Bushing	3
14	997000019	Rear Suspension Shaft Assembly (Right)	1
15	997000018	Rear Suspension Shaft Assembly (Left)	1
16	996517001	Deck Lift Spacer	2
17	994763001	Washer (ID17 x OD30 x 3t)	2

KEY NO.	PART NO.	DESCRIPTION	QTY.
18	994833001	E-Clip (12 mm)	2
19	994892001	Cotter Pin (12 mm)	2
20	997312001	Deck Lift Lever Torsion Spring	1
21	997000020	Deck Lift Lever	1
22	994972001	Deck Lift Handle	1
23	997000021	Detent Plate	1
24	994771001	Washer (ID8.4 x OD16 x 1.6t)	11
25	994891001	Washer (M13)	4
26	996046001	Bolt (M8 x 25 mm)	3
27	997000078	Cut Height Memory Plug	1
28	996233001	Hinge Cotter Pin	3
29	997000015	Front Deck Hook	1
30	997000014	Front Deck Hanger Pivot Axle	1
31	996192001	Lock Nut (M10)	1
32	997000289	Clevis Pin	2
33	997000171	J-Hook Bushing	2



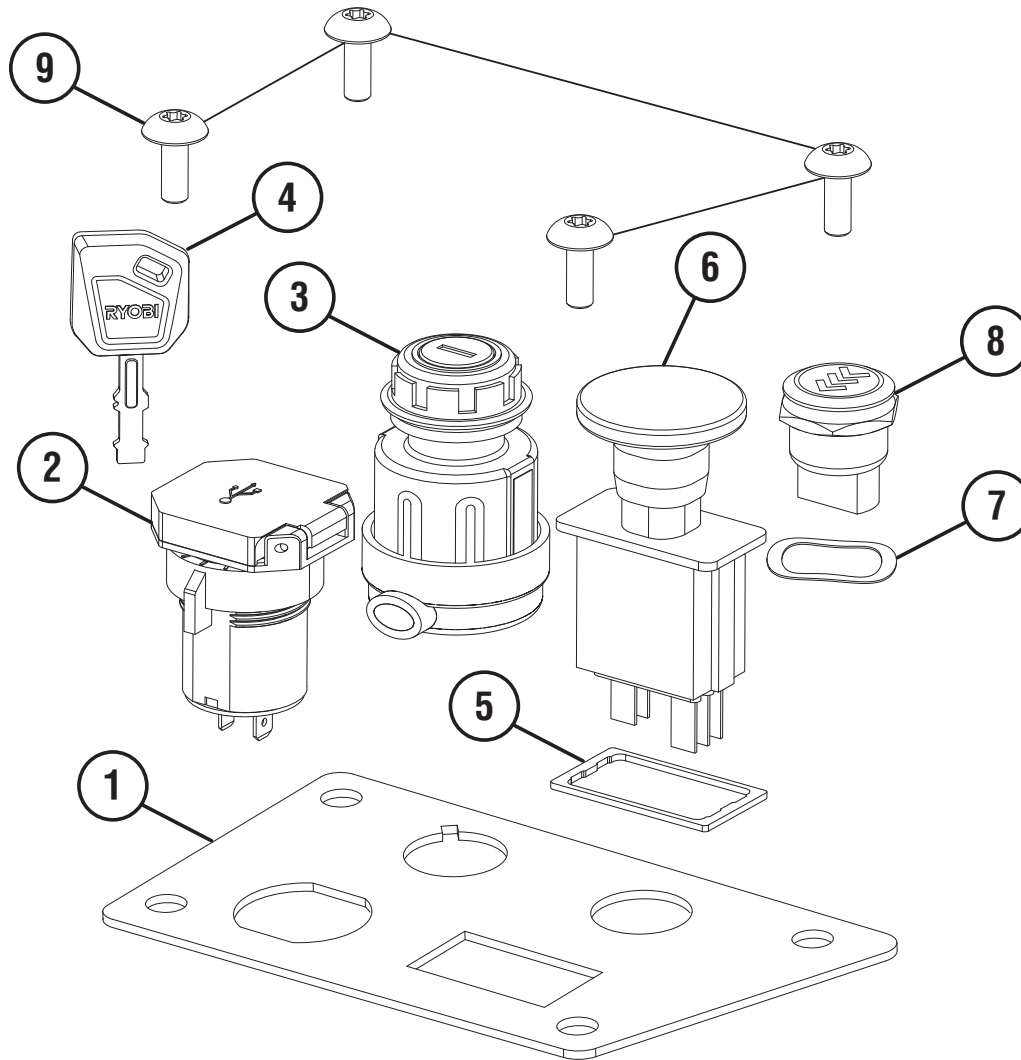


**RYRM8001**

**PARTS LIST — FIGURE H**

KEY NO.	PART NO.	DESCRIPTION	QTY.
1	997000009	Brake Cable	2
2	997011001	Brake Pedal Spring	1
3	994837001	Brake Switch	1
4	996013001	Lock Pin (8 mm)	3
5	994771001	Washer (ID8.4 x OD16 x 1.6t)	5
6	994929001	Clevis Pin (M16 x 70 mm)	1
7	994928001	Brake Pedal Bushing	2
8	997004001	Brake Pedal Lever	1
9	994930001	Lock Pin (16 mm)	1
10	997009001	Brake Pedal Rubber Pad	1

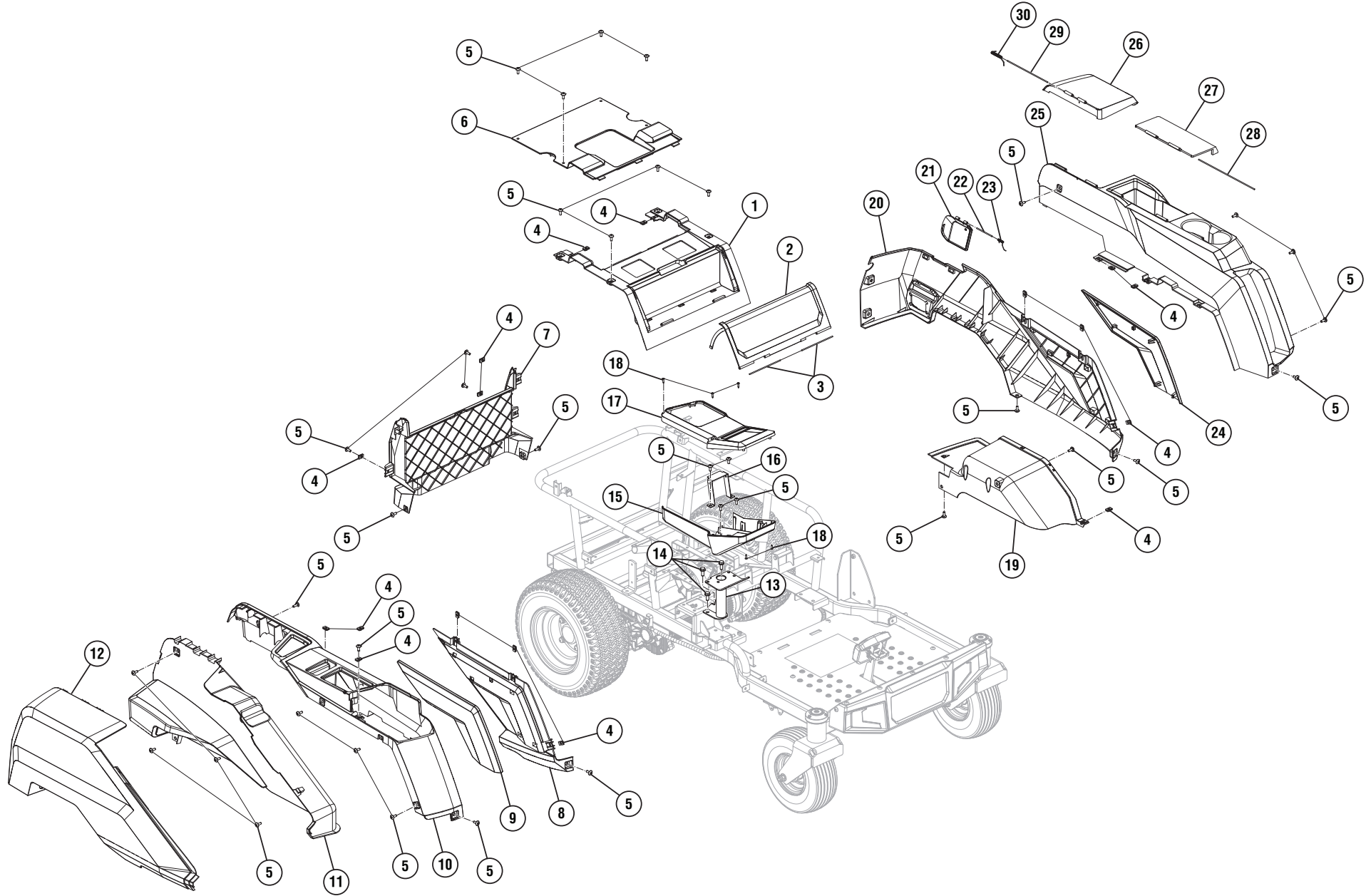
KEY NO.	PART NO.	DESCRIPTION	QTY.
11	997008001	Parking Brake Torsion Spring	1
12	997005001	Parking Brake Pedal	1
13	997010001	Parking Brake Rubber Pad	1
14	997006001	Parking Brake Latch	1
15	997007001	Clevis Pin (M8 x 60 mm)	1
16	997089001	Bolt (M8 x 70 mm, Hex Hd.)	2
17	994770001	Lock Washer (M8)	2
18	997003001	Brake Latch Hook	1
19	996346001	Hex Nut (M8)	1
20	997131001	Bolt (M8 x 40 mm, Hex Hd.)	1



PARTS LIST — FIGURE I

KEY NO.	PART NO.	DESCRIPTION	QTY.
1	997000003	Control Panel Plate	1
2	994963001	USB Module	1
3	997792001	Key Module	1
4	997966001	Key	1
5	997082001	PTO Gasket	1

KEY NO.	PART NO.	DESCRIPTION	QTY.
6	997345001	PTO	1
7	996361001	Spring Washer	1
8	997923001	Accessory Button	1
9	994989001	Screw (M6 x 16mm, Torx Hd.)	4



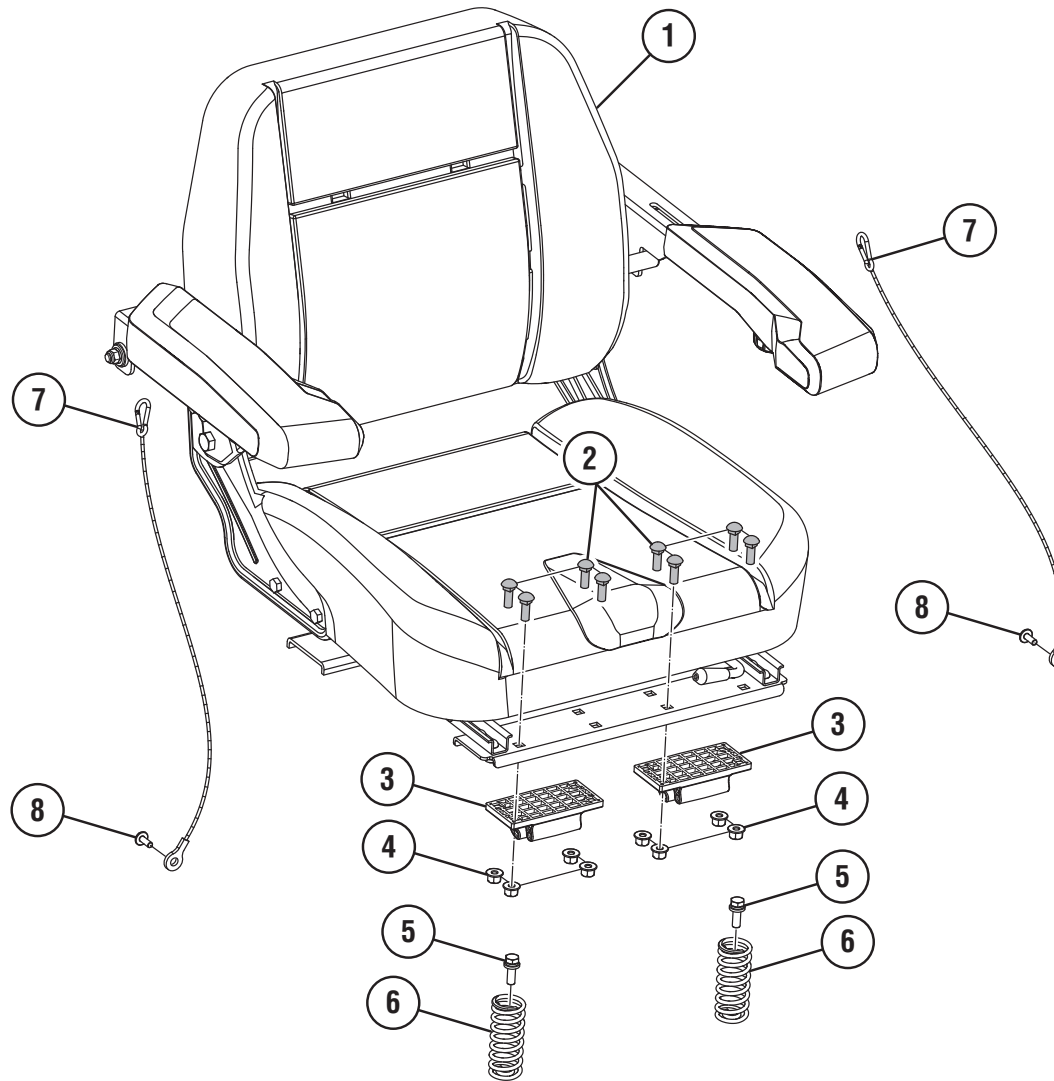


**RYRM8001**

**PARTS LIST — FIGURE J**

KEY NO.	PART NO.	DESCRIPTION	QTY.
1	997000100	Front Pan Cover	1
2	997000090	Front Pocket Door	1
3	997000122	Front Pocket Door Hinge	2
4	994785001	Clip-On Nut (M6)	17
5	994989001	Screw (M6 x 16 mm, Torx Hd.)	37
6	997000099	Top Cover	1
7	997000108	Rear Cover	1
8	997000107	Trim (Right)	1
9	997000110	Trim, Green (Right)	1
10	997000102	Console (Right)	1
11	997000106	Fender Cover (Right)	1
12	997000105	Fender (Right)	1
13	997000113	LCD Module Bracket	1
14	997000145	Flange Bolt	3
15	997000093	LCD Module Cover (Lower)	1

KEY NO.	PART NO.	DESCRIPTION	QTY.
16	997000290	LCD Bracket	1
17	997000092	LCD Module Cover (Top)	1
18	997094001	Screw (M3 x 12 mm)	5
19	997000104	Wheel Well	1
20	099269001025	Left Side Cover	1
21	997000089	Charging Door	1
22	997000118	Charging Door Hinge	1
23	997000117	Charging Door Spring	1
24	997000109	Trim, Green (Left)	1
25	997000101	Console (Left)	1
26	997000097	Battery Lid	1
27	997000091	Storage Cover	1
28	997000121	Storage Compartment Hinge	1
29	997000119	Battery Compartment Hinge	1
30	997000134	Battery Compartment Spring	1

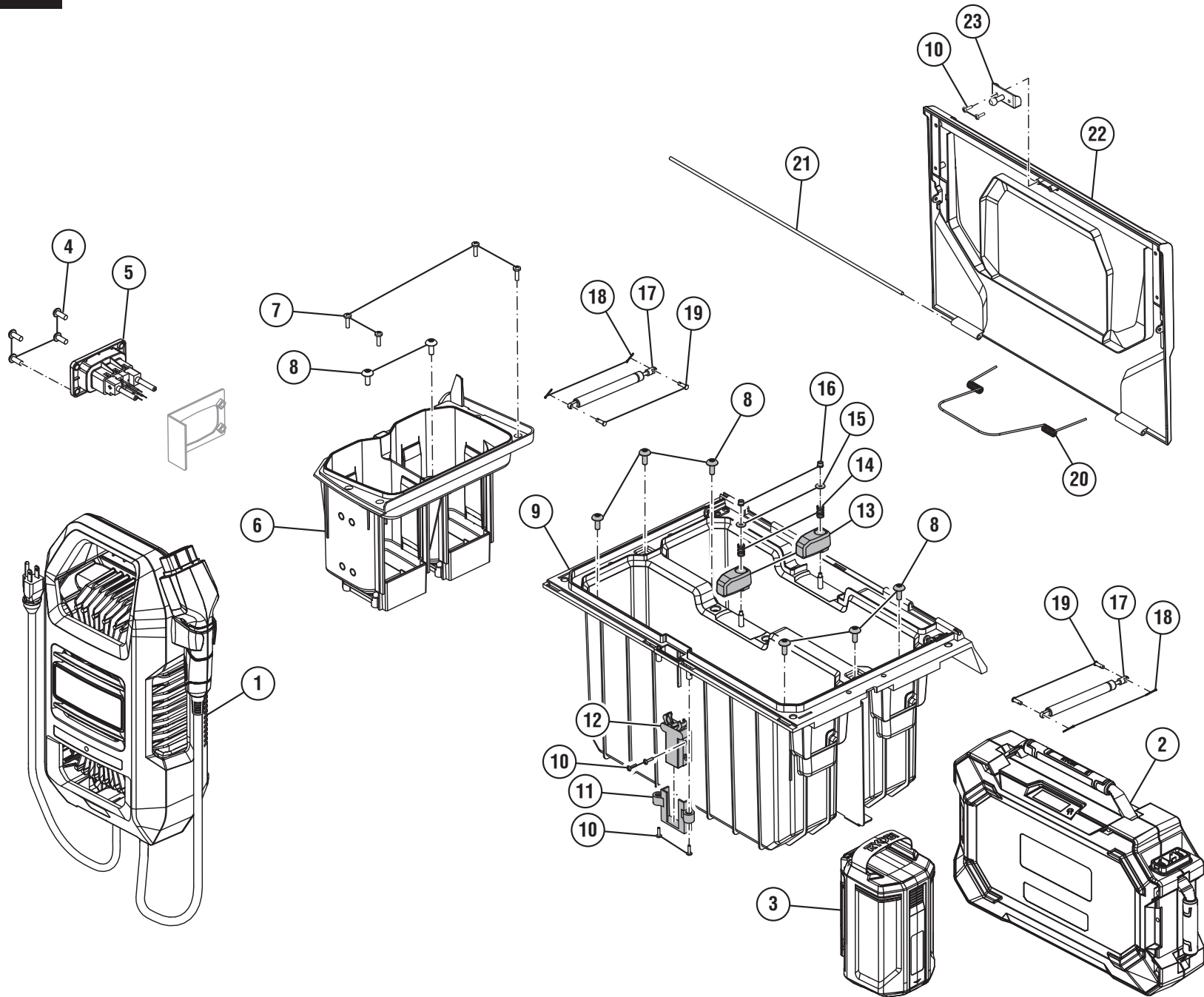


**PARTS LIST — FIGURE K**

KEY NO.	PART NO.	DESCRIPTION	QTY.
1	997000053	Seat	1
2	997000293	Bolt (M8)	8
3	997000054	Seat Pivot Bushing	2
4	994867001	Flange Nut (M8)	8

KEY NO.	PART NO.	DESCRIPTION	QTY.
5	997000291	Spring Bolt	2
6	997073001	Seat Spring	2
7	997000077	Seat Cable	2
8	994989001	Screw (M6 x 16 mm)	2





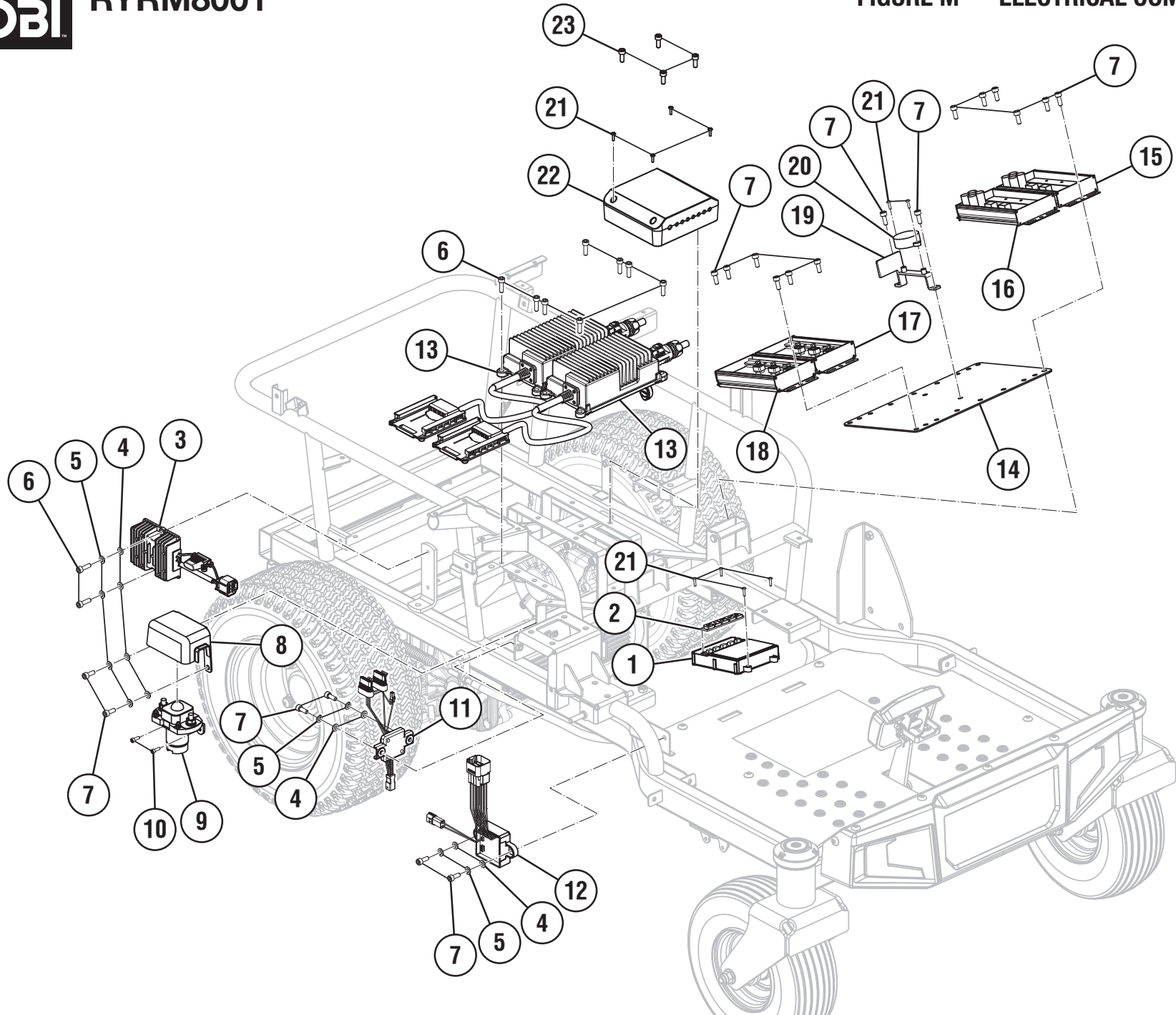


**RYRM8001**

**PARTS LIST — FIGURE L**

KEY NO.	PART NO.	DESCRIPTION	QTY.
1	140494001	Charger, 120V-AC (1440W, 90V-DC)	1
2	130662001DG9	80V Battery Pack (720Wh)	2
3	130531003DG9	40V Battery Pack (12Ah)	2
4	997000283	Screw (M6 x 16 mm, Torx Hd.)	4
5	997772001	80V Charging Receptacle	1
6	997000095	40V Battery Bucket	1
7	996213001	Screw (M5 x 16 mm)	4
8	994989001	Screw (M6 x 16 mm, Torx Hd.)	8
9	997000094	80V Battery Bucket Assembly	1
10	997094001	Screw (M3 x 12 mm, Pan Hd.)	6
11	997000112	Latch Mount	1
12	997945001	Push-To-Open Switch	1

KEY NO.	PART NO.	DESCRIPTION	QTY.
13	997000098	Battery Retainer	2
14	997000137	Battery Retainer Spring	2
15	996294001	Washer (ID4.3 x OD12 x 1t)	2
16	996301001	Lock Nut (M4)	2
17	997000082	Battery Compartment Shock	2
18	997000139	Cotter Pin	4
19	997000138	Damper Pin	4
20	997000133	Torsion Spring	1
21	997000120	Compartment Lid Pin	1
22	997000200	80V Battery Lid	1
23	997000206	Battery Cover Lock	1



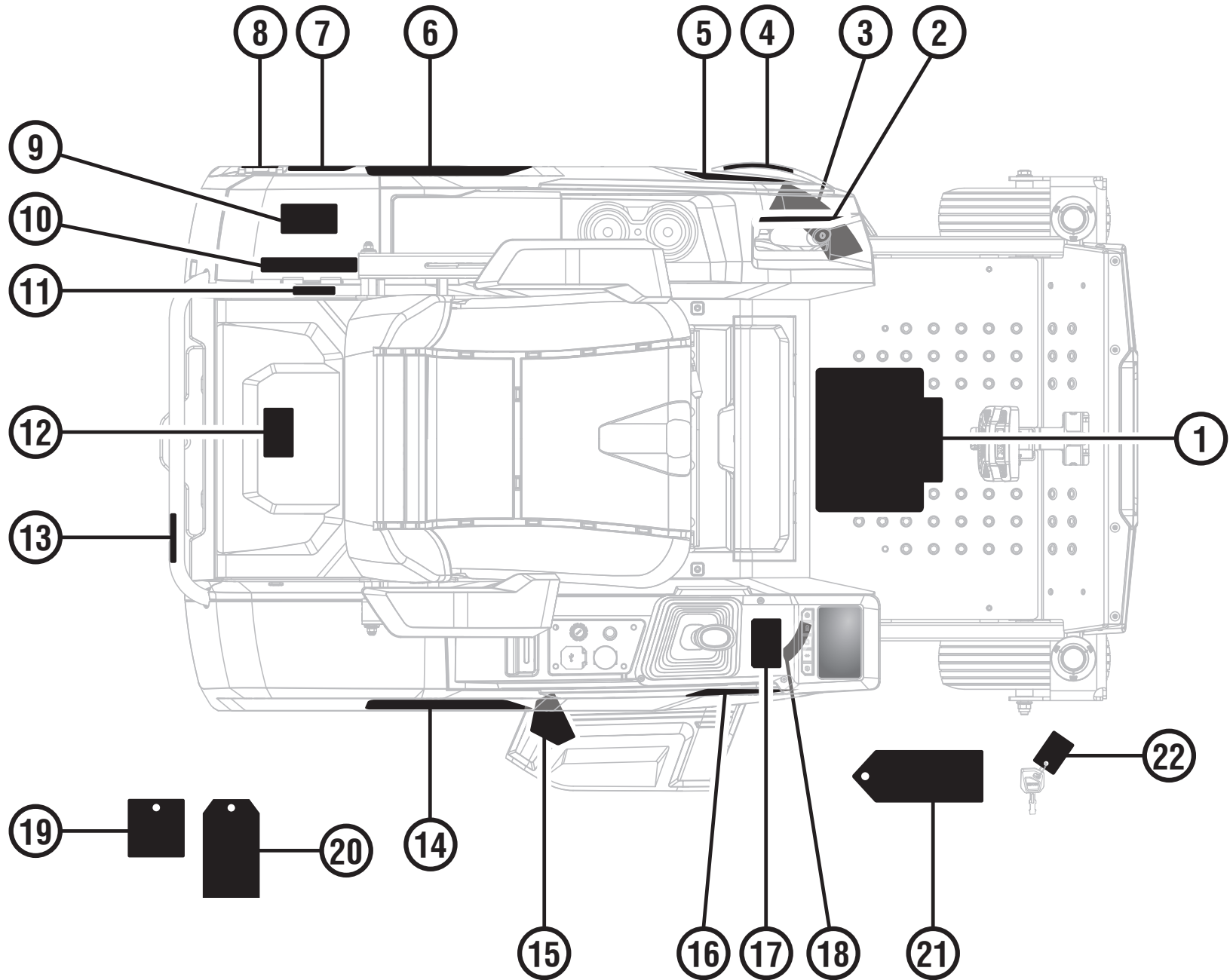


RYRM8001

PARTS LIST — FIGURE M

KEY NO.	PART NO.	DESCRIPTION	QTY.
1	997000280	LCD Module Assembly	1
2	997000006	LCD Buttons	1
3	997000073	80V DC Converter	1
4	996281001	Washer (ID6.4 x OD12 x 1.6t)	8
5	996058001	Lock Washer (M6)	8
6	997148001	Screw (M6 x 20 mm)	10
7	997098001	Screw (M6 x 16 mm)	20
8	997862001	Main Relay Cover	1
9	994993001	Main Relay	1
10	996565001	Bolt (M5 x 16 mm, Hex Hd.)	2
11	281496001	Mixing Board	1
12	281478002	TIC Assembly	1
13	997976001	80V Booster	2
14	997000067	Controller Mounting Plate	1
15	997000070	Deck Controller (Primary)	1

KEY NO.	PART NO.	DESCRIPTION	QTY.
16	997000071	Deck Controller (Secondary)	1
17	997958001	Drive Controller (Primary)	1
18	997957001	Drive Controller (Secondary)	1
19	997000072	Beeper Mounting Plate	1
20	996290001	Beeper	1
21	997094001	Screw (M3 x 12 mm, Pan Hd.)	10
22	997000080	Terminal Box Assembly	1
23	997098001	Screw (M6 x 16 mm)	4
<b>Not Shown:</b>			
	997000076	Main Wiring Harness	1
	997000127	Main Battery Cable	1
	997000128	Battery Cable 2	1
	997000129	Battery Cable 3	1
	997000130	Battery Cable 4	1



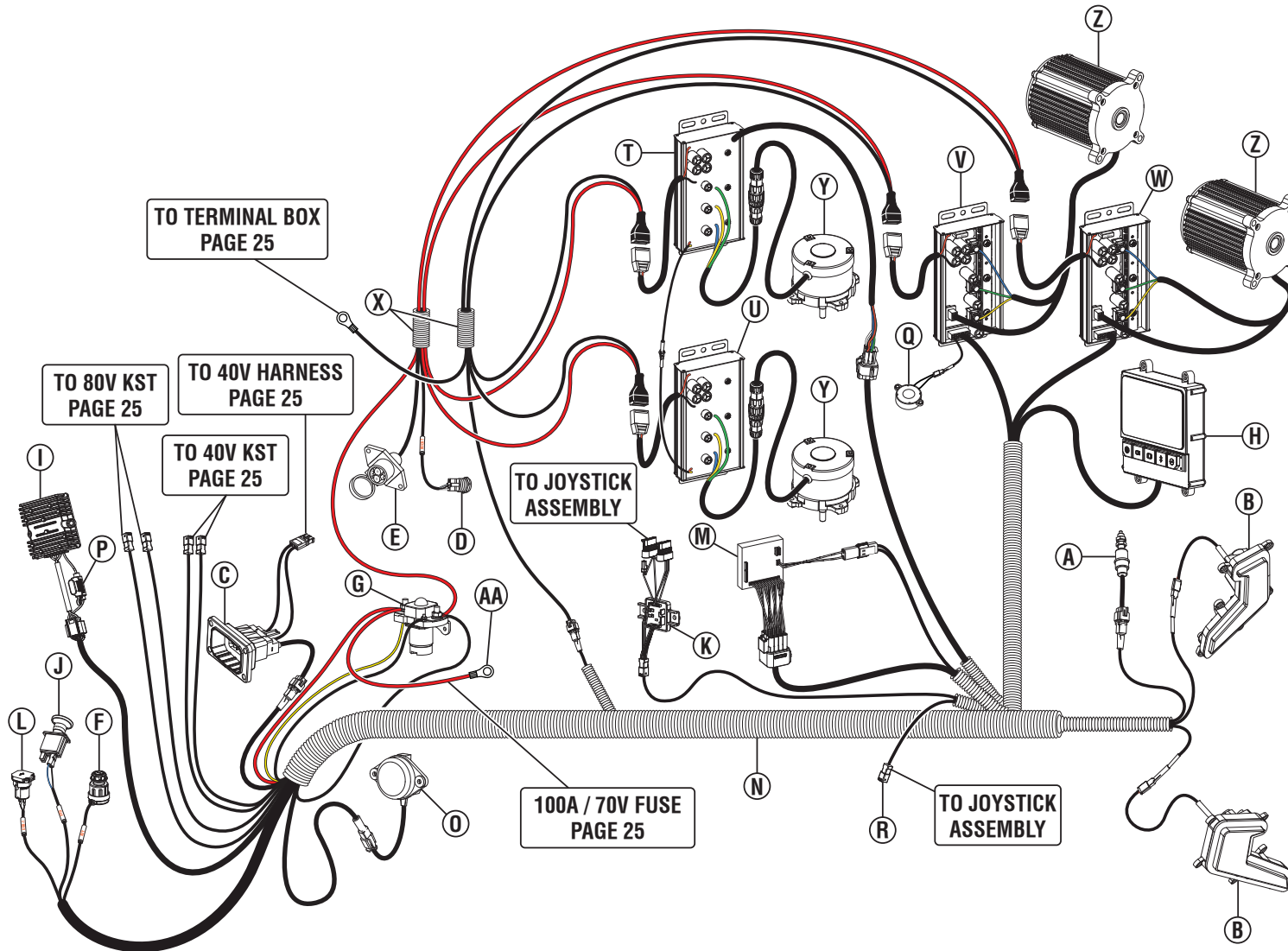


**RYRM8001**

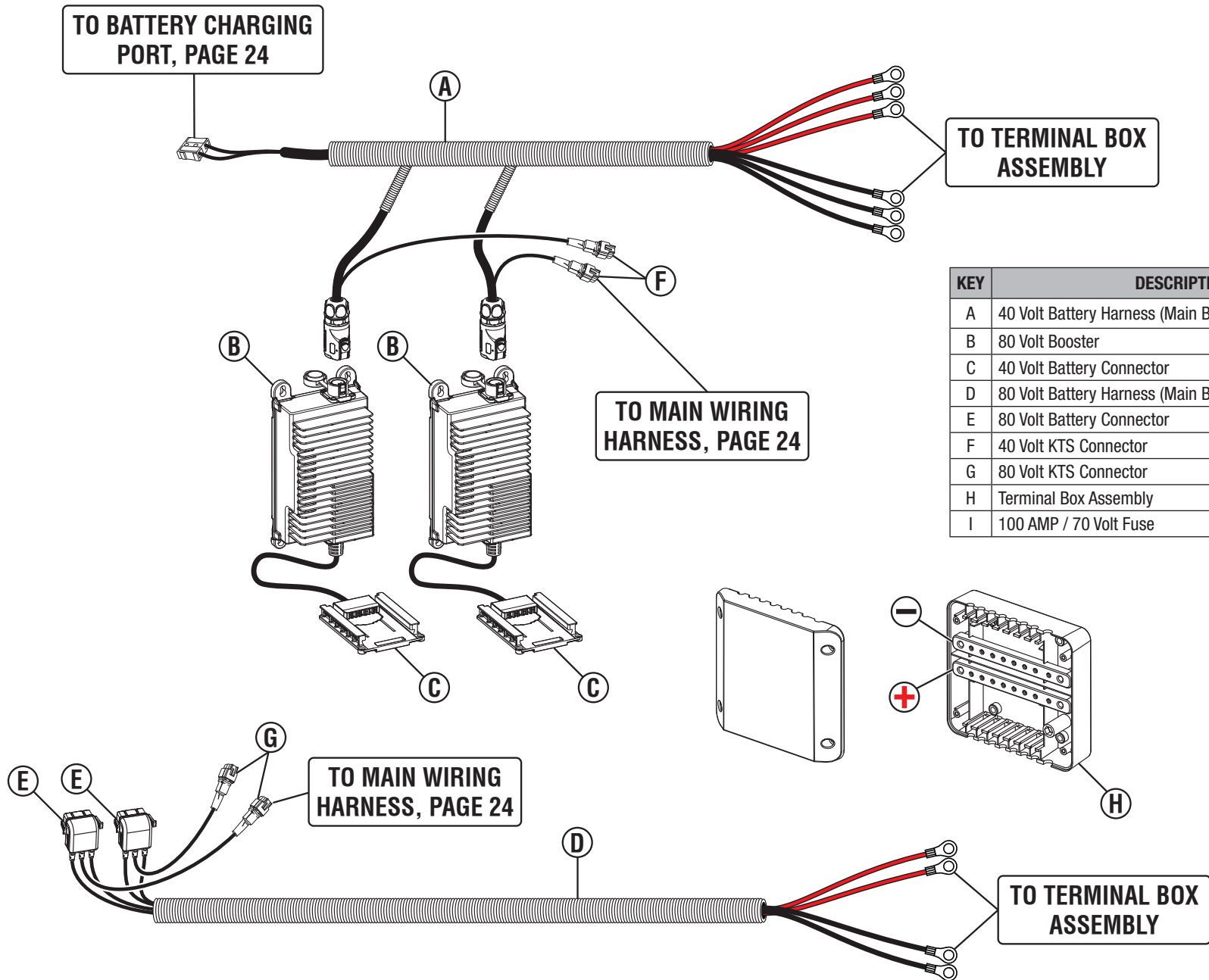
**PARTS LIST — FIGURE N**

KEY NO.	PART NO.	DESCRIPTION	QTY.
1	941166349	Danger/Warning//Brake Label (Eng)	1
	941166350	Danger/Warning/Brake Label (Sp)	1
2	941166354	Deck Height Adjustment Label	1
3	099749020010	Deck Warning Label (Eng)	1
	099749020011	Deck Warning Label (Sp)	1
4	941166353	Cutting Width Deck Label	1
5	941705204	80V HP Brushless Hero Label	1
6	941705207	Sub Brand Logo Hero Label	1
7	941194396	QR Code	1
8	941166352	Charging Port Label (Eng)	1
	941166351v	Charging Port Label (Sp)	1
9	961021150	40V Battery Connection Instrucion Card	1
10	940779513	FCC Label	1
11	941194393	Data Label	1
12	961021151	80V Battery Connection Instrucion Card	1

KEY NO.	PART NO.	DESCRIPTION	QTY.
13	941021052	Bagging Label (Eng)	1
	941021054	Bagging Label (Sp)	1
14	941705206	Sub Brand Logo Non-Hero Label	1
15	940851219	Cut Finger CPSC (Eng)	1
	940851226	Cut Finger CPSC (Sp)	1
16	941705205	80V HP Brushless Hero Label	1
17	941166355	Joystick Control (Eng)	1
	941166356	Joystick Control (Sp)	1
18	941166348	Discharge Chute Icons	1
19	941511019	Prop 65 Canada Label	1
20	918015037	Seat Assembly Tag	1
21	918015036	Joystick Hangtag	1
22	099749015066	Key Chain Tag (Eng)	1
	099749015067	Key Chain Tag (Sp)	1



KEY	DESCRIPTION
A	Brake Switch
B	Headlights
C	Charger Port
D	Bagbooster Switch
E	Bagbooster Outlet
F	Switch w/Key
G	Relay
H	LCD Assembly
I	12 Volt Power Converter
J	Blade PTO
K	Mixing Board Assembly
L	USB
M	TIC Assembly
N	Main Wiring Harness
O	Seat Switch
P	5 Amp Fuse
Q	Beeper
R	Neutral Switch Connector
S	Charger Lockout Circuit
T	Primary Deck Motor Controller
U	Secondary Deck Motor Controller
V	Primary Drive Motor Controller
W	Secondary Drive Motor Controller
X	Main Battery Cable 1
Y	Deck Motor
Z	Drive Motor
AA	Main Battery Cable 2



KEY	DESCRIPTION
A	40 Volt Battery Harness (Main Battery Cable 3)
B	80 Volt Booster
C	40 Volt Battery Connector
D	80 Volt Battery Harness (Main Battery Cable 4)
E	80 Volt Battery Connector
F	40 Volt KTS Connector
G	80 Volt KTS Connector
H	Terminal Box Assembly
I	100 AMP / 70 Volt Fuse