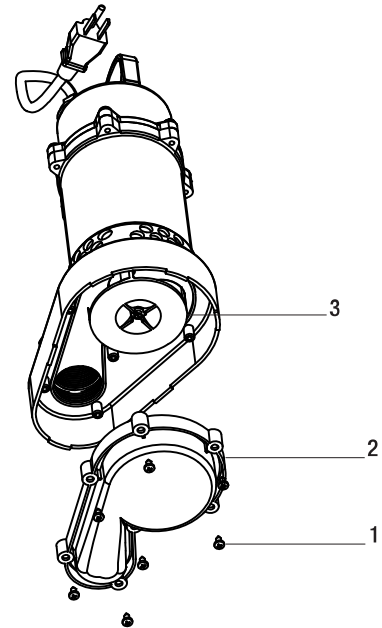


Care and Cleaning



WARNING: Before removing the pump from the basin for service, always disconnect electrical power to the pump and control switch. Do not lift the pump by the power cord.

- Unscrew the bolts (1) and remove the volute (2).
- Remove debris from around the impeller (3).
(Do not remove impeller.)
- Reassemble the pump.



Troubleshooting

Problem	Probable Cause	Solution
The pump fails to operate.	There is no power.	<input type="checkbox"/> Reset the GFCI switch <input type="checkbox"/> Reset the circuit breaker <input type="checkbox"/> Make sure the pump is plugged in <input type="checkbox"/> Clean the plug prongs
	The impeller is blocked.	Remove the debris around the impeller.
	The float switch failed.	Replace the float switch.
	The motor failed.	Replace the pump.
The pump operates, but pumps little or no water.	The screen is blocked.	Clean the screen.
	Debris is caught in the impeller or discharge.	Remove the debris.
	The impeller is broken.	Replace the impeller.
The pump starts and stops too often.	There is a backflow of water from the piping or the check valve is leaking.	Install or replace the check valve.
	The float switch is stuck.	Clean float switch.
	The float switch failed.	Replace the float switch.
The pump will not shut off.	The float switch is tangled.	Reposition the pump and make sure the switch moves freely.
	The float switch failed.	Replace the float switch.