

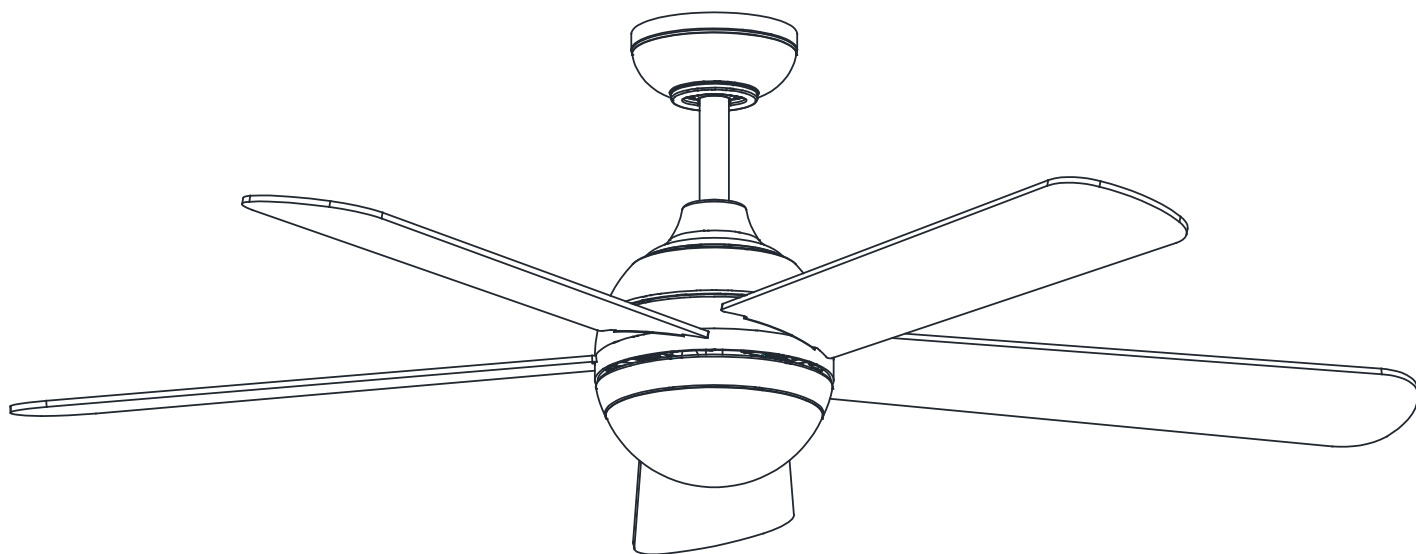
HAMPTON BAY®

Item #1011 954 844,
1011 954 853
Model #59080, 59083

52-MORL-RV4-07182024

USE AND CARE GUIDE

MORLAND 52-INCH CEILING FAN



Questions?

Before returning to the store, call Hampton Bay Customer Service
8 a.m. - 7 p.m., EST, Monday-Friday, 9 a.m. - 6 p.m., EST, Saturday

1-855-HD-HAMPTON

HAMPTONBAY.COM



To view an instructional video on how to install this product:

1. Go to www.homedepot.com and enter either the item or model number, found in the top right corner of the cover of this instruction manual, in the search field.
2. Click on your product from the list of search results and click on the video link in the "Product Overview" section.



Scan for text based
customer support



Scan for online product
warranty information

THANK YOU

We appreciate the trust and confidence you have placed in Hampton Bay through the purchase of this ceiling fan. We strive to continually create quality products designed to enhance your home. Visit us online to see our full line of products available for your home improvement needs. Thank you for choosing Hampton Bay!

Table of Contents

Safety Information	2	Installation	6
Warranty	2	Assembly	7
Pre-Installation	3	Operation	16
Planning Installation	3	Care and Cleaning	20
Tools Required	3	Troubleshooting	20
Hardware Included	4		

Safety Information

READ AND SAVE THESE INSTRUCTIONS.

1. To reduce the risk of electric shock, ensure the electricity has been turned off at the circuit breaker or fuse box before you begin.
2. All wiring must be in accordance with the National Electrical Code ANSI/NFPA 70 and local electrical codes. Electrical installation should be performed by a qualified licensed electrician.
3. The outlet box and support structure must be securely mounted and capable of reliably supporting a minimum of 35 lb (15.9 kg). Use only UL Listed outlet boxes marked “Acceptable for Fan Support of 35 lb (15.9 kg) or less.”
4. The fan must be mounted with a minimum of 7 ft. (2.1 m) of clearance from the trailing edge of the blades to the floor.
5. Do not place objects in the path of the blades.
6. To avoid personal injury or damage to the fan and other items, use caution when working around or cleaning the fan.
7. After making electrical connections, spliced conductors should be turned upward and pushed carefully up into the outlet box. The wires should be spread apart with the grounded conductor and the equipment-grounding conductor on one side of the outlet box.
8. All set screws must be checked and retightened where necessary before installation.
9. Suitable for damp location.
10. Use only with light kits marked Suitable for use in damp locations.



WARNING: To reduce the risk of personal injury, do not bend the blade brackets (also referred to as flanges) during assembly or after installation. Do not insert objects in the path of the blades.



WARNING: To avoid possible electrical shock, turn the electricity off at the main fuse box before wiring. If you feel you do not have enough electrical wiring knowledge or experience, contact a licensed electrician.



WARNING: To reduce the risk of fire, electric shock or personal injury, mount to outlet box marked “Acceptable for fan support of 35 lbs (15.9 kg) or less”, and use screws provided with the outlet box.



WARNING: Electrical diagrams are for reference only. If you are using a light kit, refer to the light kit instructions manual to make the electrical connections. Optional use of any light kit shall be UL Listed and marked suitable for use with this fan.



WARNING: To reduce the risk of fire or electric shock, this fan should only be used with fan speed control part no. LDDP40-L3620, manufactured by DawnSun Electronic Technology Co., Ltd. Zhongshan.



WARNING: To reduce the risk of electric shock, this fan must be installed with an isolating wall switch.



WARNING: To reduce the risk of fire, electric shock or injury to persons, do not use replacement parts that have not been recommended by the manufacturer (e.g. parts made at home using a 3D printer).

Warranty

The supplier warrants the fan motor to be free from defects in workmanship and material present at time of shipment from the factory for a lifetime after the date of purchase by the original purchaser. The supplier warrants that the light kit, excluding any glass, to be free from defects in workmanship and material at the time of shipment from the factory for a period of three years after the date of purchase by the original purchaser. The supplier also warrants that all other fan parts, excluding any glass or acrylic blades, to be free from defects in workmanship and material at the time of shipment from the factory for a period of one year after the date of purchase by the original purchaser. We agree to correct such defects without charge or at our option replace with a comparable or superior model if the product is returned. To obtain warranty service, you must present a copy of the receipt as proof of purchase. All costs of removing and reinstalling the product are your responsibility. Damage to any part, such as by accident, misuse, improper installation, or by affixing any accessories, is not covered by this warranty. Because of varying climatic conditions this warranty does not cover any changes in brass finish, including rusting, pitting, corroding, tarnishing, or peeling. Brass finishes of this type give their longest useful life when protected from varying weather conditions. A certain amount of "wobble" is normal and should not be considered a defect. Servicing performed by unauthorized persons shall render the warranty invalid. There is no other express warranty. Home Decorators Collection hereby disclaims any and all warranties, including but not limited to those of merchantability and fitness for a particular purpose to the extent permitted by law. The duration of any implied warranty which cannot be disclaimed is limited to the time period as specified in the express warranty. Some states do not allow a limitation on how long an implied warranty lasts, so the above limitation may not apply to you. The retailer shall not be liable for incidental, consequential, or special damages arising out of or in connection with product use or performance except as may otherwise be accorded by law. Some states do not allow the exclusion of incidental or consequential damages, so the above exclusion or limitation may not apply to you. This warranty gives specific legal rights, and you may also have other rights which vary from state to state. This warranty supersedes all prior warranties. Shipping costs for any return of product as part of a claim on the warranty must be paid by the customer.

Contact the Customer Service Team at 1-877-592-5233 or visit www.HOMEDEPOT.COM/HUBSPACE.

Pre-Installation

SPECIFICATIONS

Size	Speed	Volts	Fan Power Consumption (without lights) WATT	Airflow CFM	Airflow Efficiency (higher is better) CFM/WATT	Net Weight	Gross Weight	Cubic Feet
54 in.	Low	120	2.2	1652	750.9	13.23 lb (6 kg)	18.63 lb (8.45 kg)	1.59 cu. ft.
	Medium		11.14	3263	292.9			
	High		28.55	4401	154.15			



NOTE: These are approximate measures. They do not include the amps and wattage used by the light kit.



TOOLS REQUIRED



Phillips screwdriver



Flat head screwdriver



Adjustable wrench



Wire cutter/stripper



Electrical tape



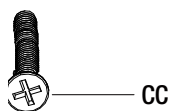
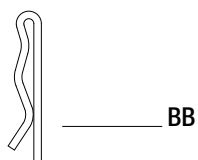
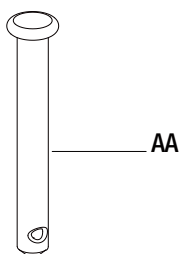
Step ladder

Pre-Installation (continued)

HARDWARE INCLUDED



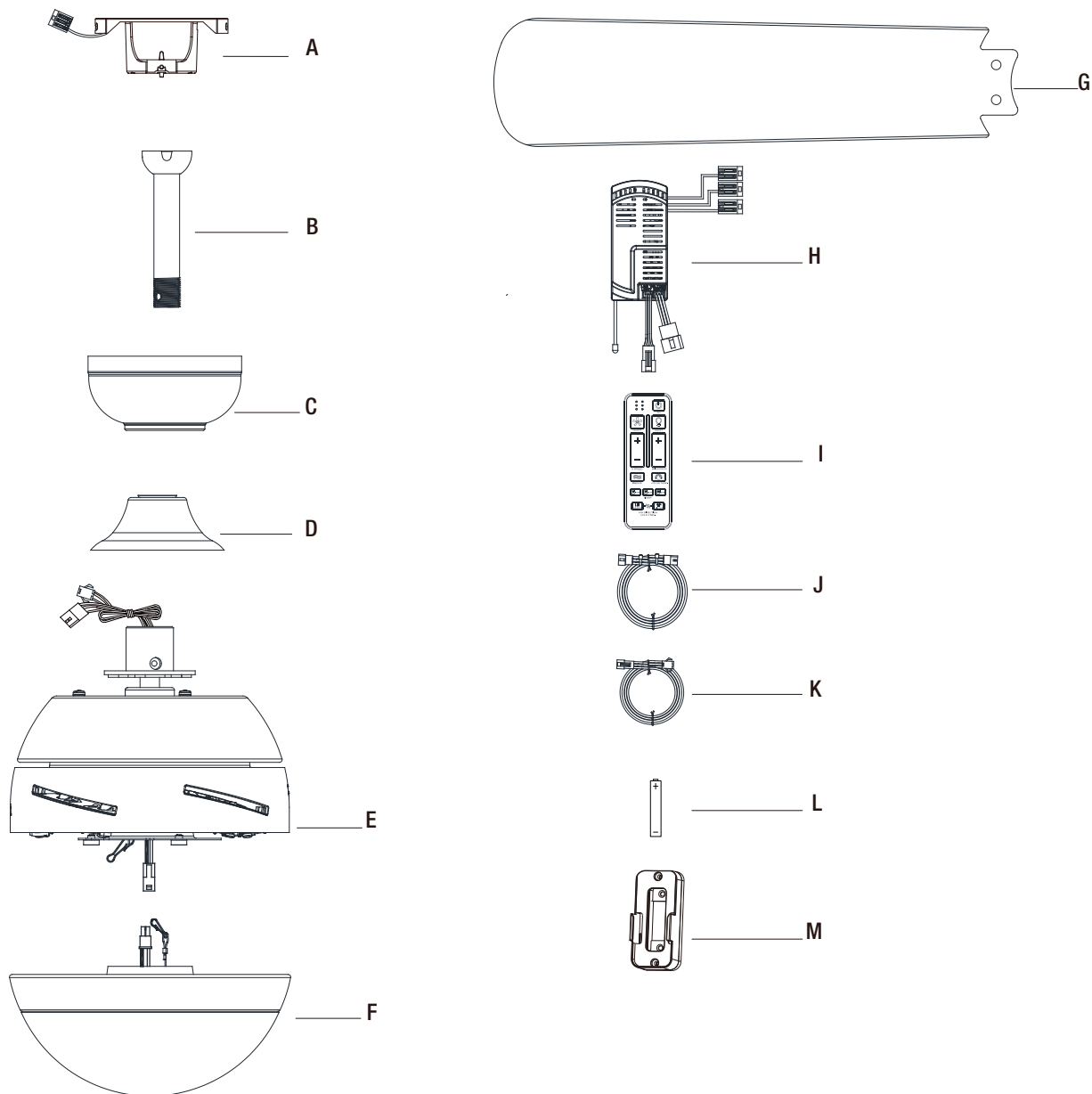
NOTE: Hardware not shown to actual size.



Part	Description	Quantity
AA	Hanger pin	1
BB	Locking pin	1
CC	Machine screw (remote control wall cradle)	2
DD	Short tapered screw (remote control wall cradle)	2
EE	Long tapered screw (remote control wall cradle)	2

Pre-Installation (continued)

PACKAGE CONTENTS



Part	Description	Quantity
A	Slide-on mounting bracket (inside canopy)	1
B	Ball/downrod assembly	1
C	Canopy	1
D	Decorative motor collar cover	1
E	Fan motor assembly	1
F	Light kit fitter assembly	1

Part	Description	Quantity
G	Blade	5
H	Receiver	1
I	Remote control	1
J	3-pin extension wire (motor)	1
K	3-pin extension wire (light)	1
L	Battery	2
M	Remote control wall cradle with toggle switch spacer included	1



IMPORTANT: This product and/or components are governed by one or more of the following U.S. Patents: 5,947,436; 5,988,580; 6,010,110; 6,046,416; 6,210,117 and other patents pending.

Installation

MOUNTING OPTIONS

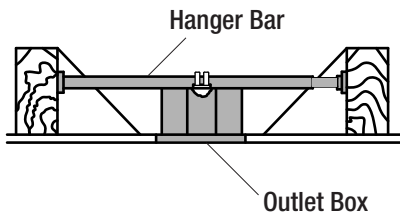
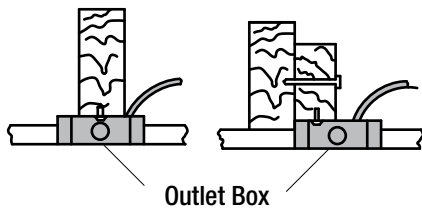
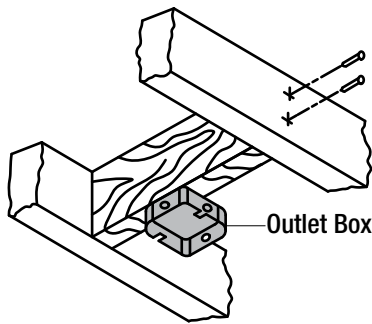


WARNING: To reduce the risk of fire, electric shock or personal injury, mount to outlet box marked “Acceptable for fan support of 35 lb (15.9 kg) or less”, and use screws provided with the outlet box. An outlet box commonly used for the support of lighting fixtures may not be acceptable for fan support and may need to be replaced. If in doubt, consult a qualified electrician.

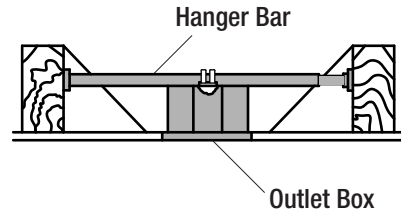
If your ceiling fan does not have an existing UL Listed mounting box, then install one using the following instructions:

- Disconnect the power by removing the fuses or turning off the circuit breakers.
- Secure the outlet box directly to the building structure. Use the appropriate fasteners and materials. The outlet box and support structure must be securely mounted and capable of reliably supporting a minimum of 35 lbs (15.9 kg). Use only UL Listed outlet boxes marked “Acceptable for fan support of 35 lbs (15.9 kg) or less.” Do not use a plastic outlet box.

The illustrations below show three different ways to mount the outlet box.



NOTE: You may need a longer downrod to maintain proper blade clearance when installing on a steep, sloped ceiling. The maximum angle allowable is 15° away from horizontal.



If the canopy (C) touches the ball/downrod assembly (B), then remove the decorative motor collar cover (D), and turn the canopy (C) 180° before attaching the canopy (C) to the mounting plate.

To hang your fan where there is an existing fixture but no ceiling joist, you may need an installation hanger bar as shown above (available at any Home Depot store).

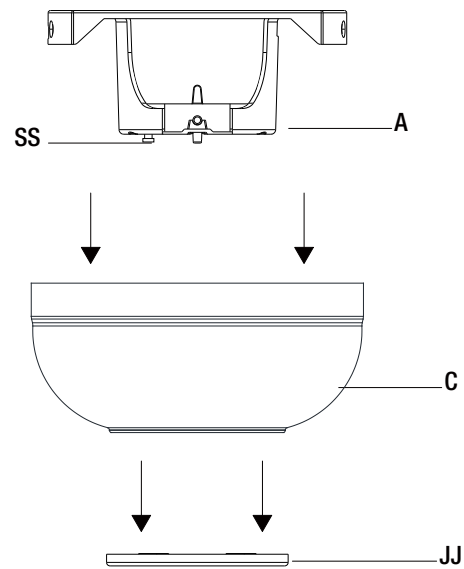
Assembly - Standard Ceiling Mount

1 Preparing for mounting



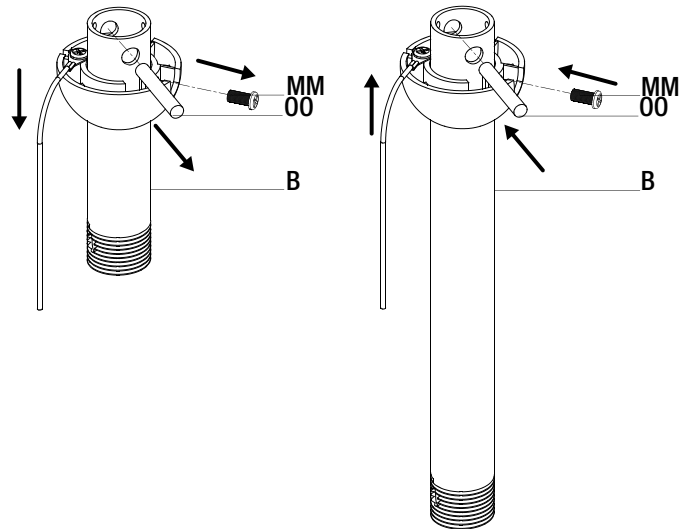
NOTE: The magnet is pre-attached on the canopy bottom cover for you to remove and install easily.

- Remove the magnetic canopy bottom cover (JJ) from the canopy (C) by pulling it off.
- Loosen the two canopy screws (SS) located in the bottom of the slide-on mounting bracket (A).
- Turn the slide-on mounting bracket (A) counterclockwise and lift it up to remove the slide-on mounting bracket from the canopy (C).



2 Installing with an Extension Downrod (sold separately)

- Disassemble the hanger ball from the downrod by removing the set screw (MM) slide the hanger ball down the downrod and remove the pin (OO), keep parts.
- Place the hanger ball on the new downrod and insert the in (OO) through the holes at top of downrod and slide the hanger ball up to the downrod until the pin (OO) locked into the slots of hanger ball.
- Re-install the set screw (MM) tighten it so the set screw is secured against the downrod.



Assembly - Standard Ceiling Mount (continued)

3 Routing the wires

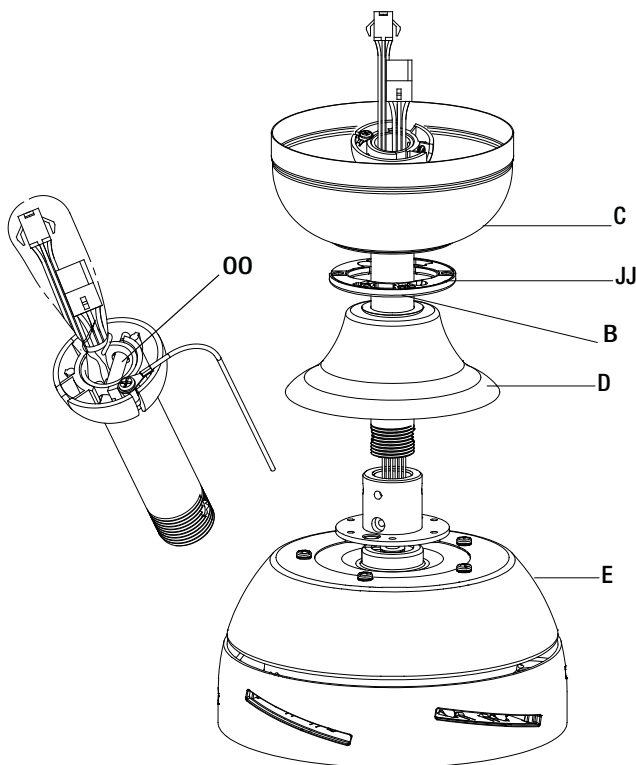


IMPORTANT: DO NOT remove the wires from the plastic bag before routing the wires to the downrod and fan.



NOTE: The fan comes with 8 in. lead wires for use with the provided 6 in. ball downrod assembly (B). If you wish to use a longer downrod, attach the 3-pin extension wire (M) and 3-pin extension wire (N) to the fan by connecting the molded adaptor plugs from the extension wires to the 3-pin and 3-pin adaptor plugs from the fan.

- Insert the ball/downrod (B) through the large opening of the canopy (C). Next, slide the canopy bottom cover (JJ) over the ball/downrod (B) with the magnets facing the canopy. Finally, slide the decorative motor collar cover (D) on the ball/downrod (B) as shown in the illustration.
- Route the wires exiting the top of the fan motor assembly (E) through the ball/downrod (B). Ensure that both wire connectors exit the ball/downrod (B) on the same side of the hanger ball pin (OO).



4 Assembling the fan

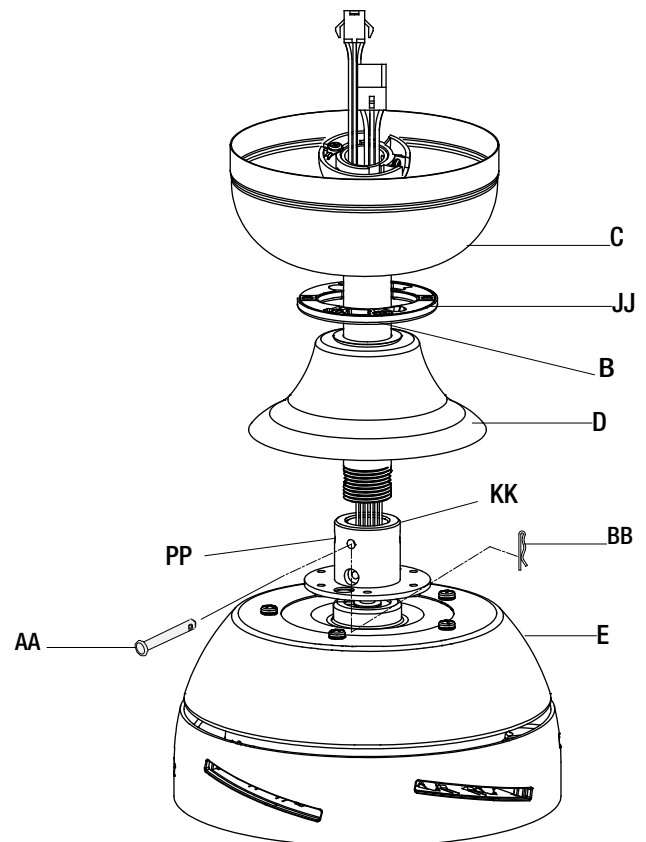


CAUTION: To ensure wobble-free operation and to avoid damage to the fan, the downrod (B) and the setscrew (KK) must be completely tightened.



WARNING: Failure to properly install the locking pin (BB) could result in the fan becoming loose and possibly falling.

- Loosen, but do not remove, the setscrew (KK) on the collar (PP) on top of the fan motor assembly (E).
- Install the downrod (B) by inserting it into the motor collar (PP), and turning it clockwise until the holes at the bottom of the ball/downrod assembly (B) align with the holes in the collar on top of the fan-motor assembly (E).
- Carefully insert the hanger pin (AA) through the holes in the collar and ball/downrod assembly (B). Be careful not to jam the hanger pin (AA) against the wiring inside the ball/downrod assembly (B).
- Insert the locking pin (BB) through the hole near the end of the hanger pin (AA) until it snaps into its locked position.
- Re-tighten the setscrew (KK) on the collar (PP) on top of the fan-motor assembly (E).



Assembly - Hanging the Fan

1 Attaching the fan to the electrical box

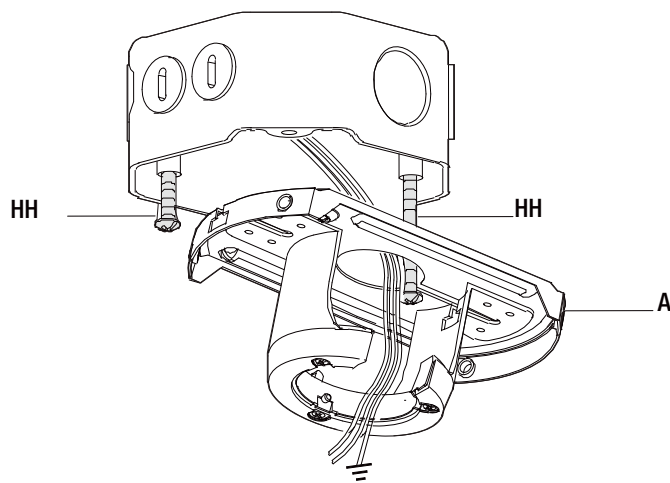


WARNING: To reduce the risk of fire, electric shock or personal injury, mount to an outlet box marked "Acceptable for fan support of 35 lb (15.9 kg) or less", and use screws provided with the outlet box.



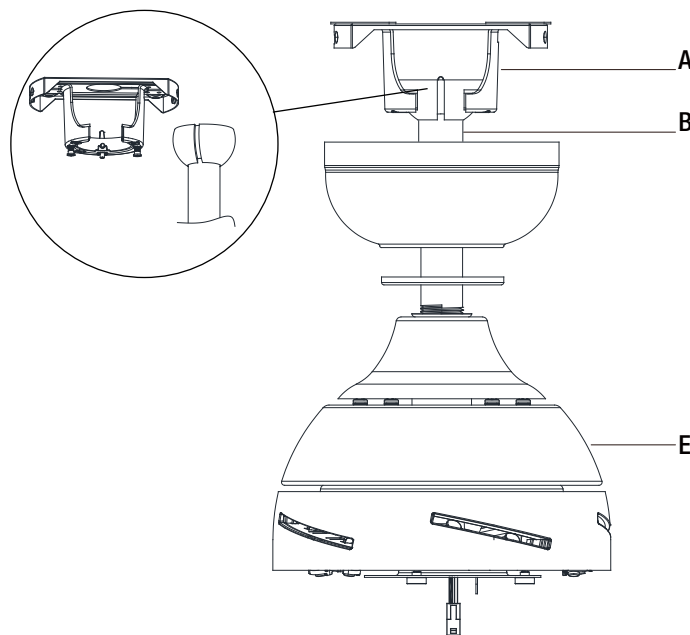
NOTE: The slide-on mounting bracket (A) is designed to slide into place on an outlet box with the outlet box screws (HH) installed.

- Loosen the two mounting screws (HH) in the outlet box.
- Pass the 120-Volt supply wires through the center hole in the slide-on mounting bracket (A).
- Slide the slide-on mounting bracket (A) on to the mounting screws (HH) and center the slide-on mounting bracket (A) in relation to the outlet box. If necessary, use leveling washers (not included) between the slide-on mounting bracket (A) and the outlet box. The flat side of the slide-on mounting bracket (A) should face toward the outlet box, as shown.
- Securely tighten the two mounting screws (HH).



2 Hanging the fan

- Carefully lift the fan motor assembly (E) up to the slide-on mounting bracket (A).
- Insert the ball portion of the ball/downrod assembly (B) into the socket of the slide-on mounting bracket (A).
- Turn the ball/downrod assembly (B) clockwise until it is seated with the tab of the slide-on mounting bracket (A) aligned with the slot in the ball.



Assembly - Hanging the Fan (continued)

3 Installing the receiver

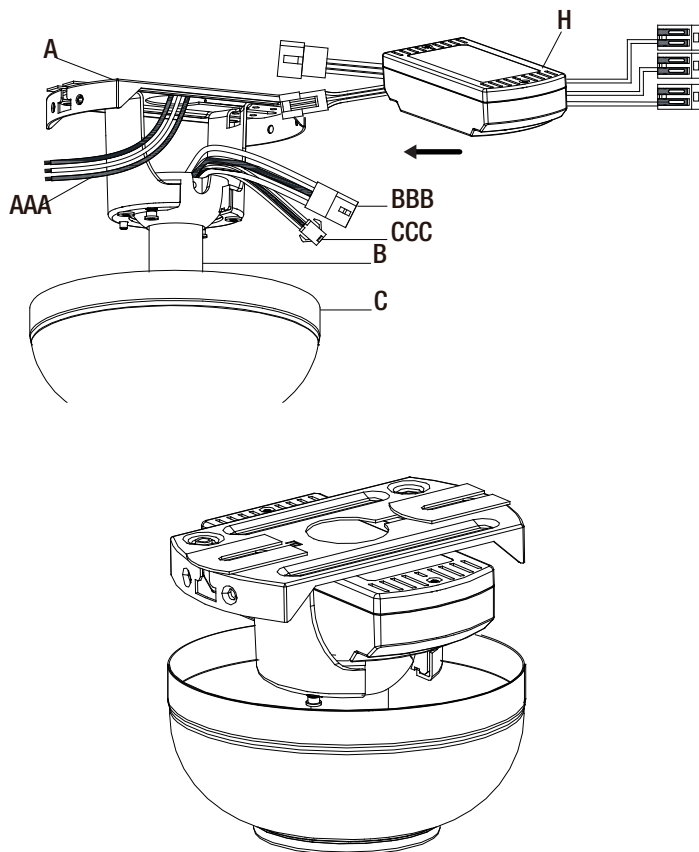


WARNING: To reduce the risk of fire or electric shock, remember to disconnect power. The electrical wiring must meet all local and national electrical code requirements. The electrical source and fan must be 110/120 volts, 60Hz. Do not use this product in conjunction with any variable wall control. Incorrect wire connection can damage this receiver.



CAUTION: If other fan wires are a different color, have this unit installed by household a licensed electrician.

- Position the house supply wires (AAA) to one side of the slide-on mounting bracket (A). Position the fan wires to the opposite side.
- Insert the narrow end of the receiver (H) (as shown, flat side towards the ceiling) into the slide-on mounting bracket (A) until it rests on top of the ball/downrod assembly (B).



4 Making the electrical connections



WARNING: To avoid possible electrical shock, turn the electricity off at the main fuse box before wiring. If you feel you do not have enough electrical wiring knowledge or experience, contact a licensed electrician.



IMPORTANT: Use quick connector (VV) and (UU) attached on the fan wires and receiver wires for wiring connecting. Ensure there are no loose strands or connections.



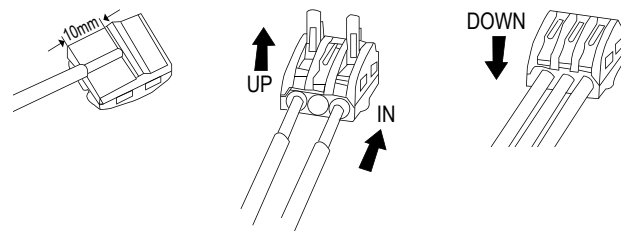
NOTE: If your house wiring does not have a red switch wire, please remove the red wire and black wire on receiver from the quick connector and attached these two wires to the house black wire and secure using a extra quick connector (VV) attached in the fan.



NOTE: If the light and/or fan is turned off using the remote and you want to turn it back on using the wall switch (with the wall switch already in the "on" position), simply toggle the light wall switch off and then back on within one second to activate the light/fan.

- If using the 6 in. ball downrod assembly (B) provided, wire the receiver to the fan wires by connecting the molded adaptor plugs from the receiver (H) with the molded adaptor of the fan motor assembly (A) together.

Using the quick connector



- Using a solid and/or stranded copper conductors, strip wire approx. 10 mm /0.39 inches.
- Lift the lever to 90° and insert stripped conductor fully. Only one wire can be used in each hole.
- Lower the lever to close the clamp and complete your connection.
- Test through the test slot on the top of the housing with a voltage tester.
- To remove, lift the lever and pull out the conductor.

*600V Max. building wiring, 1000V Max. signs and luminaires

Assembly - Hanging the Fan (continued)

4c Wire connections - No wall switch

From Fan 3-pin connector----- **To Receiver** 3-pin connector

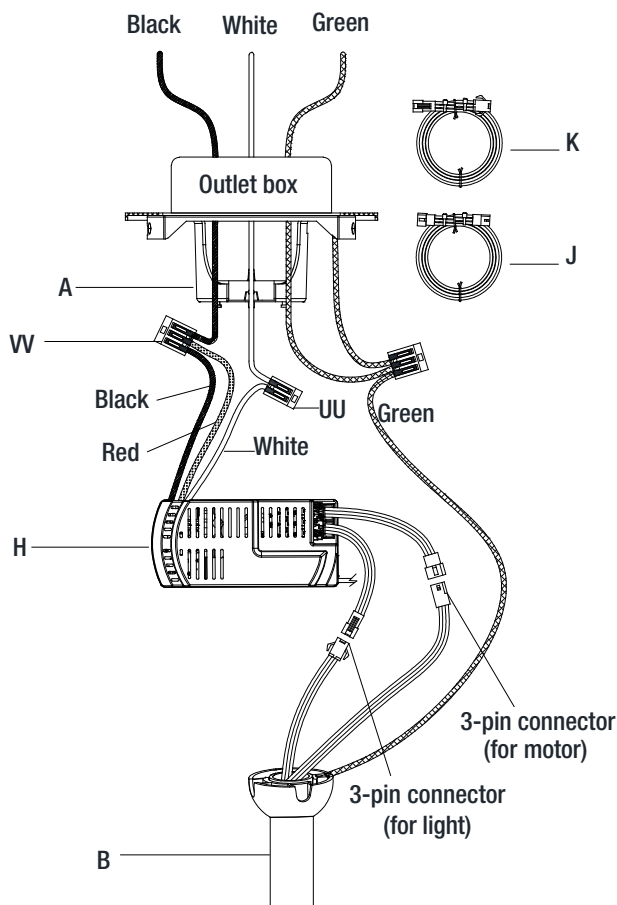
- Make wire connections from the receiver (H) and fan to the outlet box as follows, using the quick connector (UU) and (VV).

From receiver Black "AC in L" + Red wire "for Light" -- **To outlet box** Black wire (Hot)
 White wire "AC in N" ----- White wire (Neutral)


From fan Green wires* ----- **To outlet box** Green or bare wire (Ground)

* There are two green grounding leads: one from the mounting bracket (A) and one from the hanger ball/downrod assembly (E) if installed.

- Turn the wire nut connections upward, spreading them apart so the green (ground) and white wires will be on one side of the outlet box and the black wire will be on the other side. Carefully tuck the connections up into the outlet box.

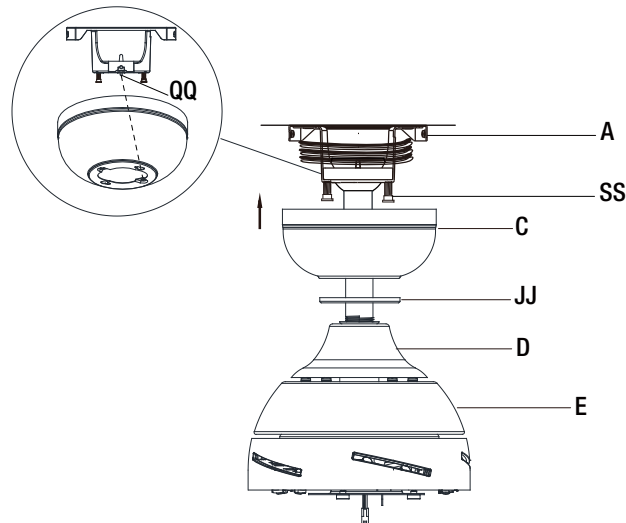


5 Mounting the fan motor assembly (standard mount)



WARNING: When using the standard ball/downrod mounting, the tab in the ring at the bottom of the slide-on mounting bracket (A) must rest in the groove of the hanger ball. Failure to properly seat the tab in the groove could cause damage to the wiring.

- Align the locking slots of the canopy (C) with the two screws (SS) and alignment post (QQ) in the slide-on mounting bracket (A).
- Push up the canopy (C) and turn it clockwise until the alignment post (QQ) engages to the round hole and the screws (SS) engage to the key slots.
- Firmly tighten the two mounting screws (SS).
- Align the oval shape on the canopy (C) with canopy bottom cover (JJ).
- Push up the canopy bottom cover (JJ) until the canopy screw (SS) heads engage to the slots on the canopy bottom cover (JJ) so that the magnetic canopy bottom cover (JJ) can be attached to the bottom of the canopy (C) properly.



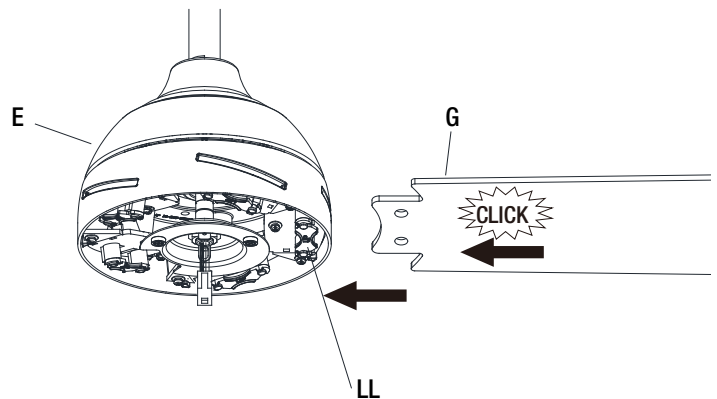
Assembly - Attaching the Fan Blades

Fastening the blade to the motor



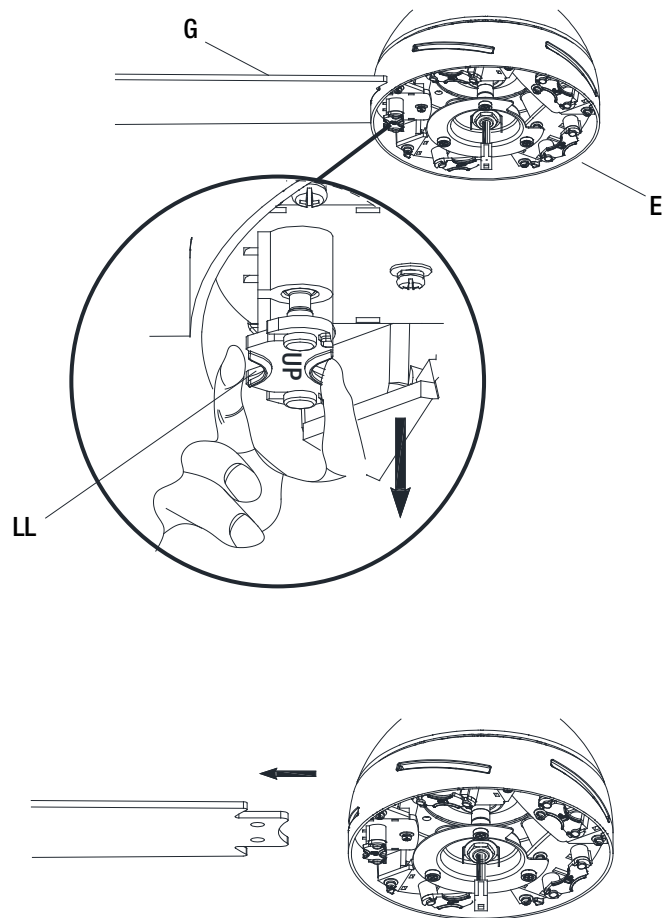
NOTE: Blade installation must be properly completed before attaching the light kit.

- Attach a blade (G) to the fan motor assembly (E) by inserting the blade (G) into the slot in the side of the fan motor housing (E) until it stops. The locking clip (LL) will click when the blade is correctly installed. Ensure the blade is snapped into locking clip (LL) completely by pulling the fan blade away from the motor housing.
- Repeat these steps for the remaining blades (G).



Removing the blades from the motor

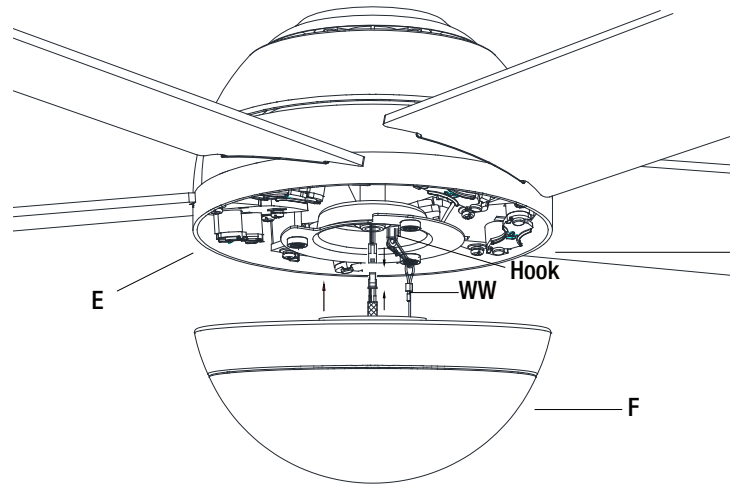
- To remove the blade (G) from the fan motor assembly (E), pull down the tab of the locking clip (LL) to release the blade and pull the fan blade away from the motor housing.
- Repeat these steps for the remaining blades (G).



Assembly - Attaching the Light Kit

Attaching the light kit fitter assembly

- Connect the wires from the light kit assembly (F) to the wires from the fan motor assembly (E) by connecting the 3-pin connector plugs together. Carefully tuck all wires and splices into the switch cup and connect the safety cable (WW) from the light kit assembly (F) to the hook from motor assembly (E).
- Push the light kit assembly (F) up to the motor assembly (E) by aligning the magnet part of the motor assembly (E) until it is secure



Preparing the Remote Control



NOTE: The remote control has already been paired to the ceiling fan for your convenience. If the remote control does not communicate with the fan, follow the pairing instructions below.



NOTE: The remote control battery will weaken with age and should be replaced before leaking takes place, as this will damage the remote control. Dispose of used battery properly and keep the battery out of the reach of children.

Pairing one remote to one ceiling fan

- Confirm that the power to the fan is off at either the wall switch or breaker box.
- Return power to the fan and, within 30 seconds, press and hold the learn button for 1-2 seconds and release.
- If pairing is successful, the blades will begin to spin and the light will also flash.

Pairing multiple remote controls to one ceiling fan

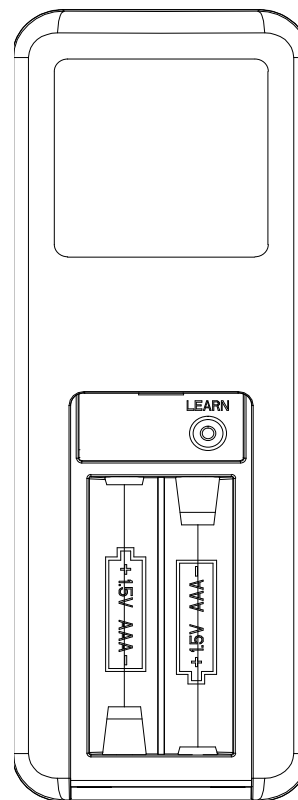


NOTE: The fan can be controlled by up to three remote controls. To order extra remote controls, please call customer service 1-855-HD-HAMPTON.



NOTE: The fan can only be controlled by 3 remote controls maximum at the same time after "Learning". If you pair a fourth remote control to the fan, the first remote control will be erased from the receiver memory.

- Confirm that the power to the fan is off at either the wall switch or breaker box.
- Turn the power to the fan on at the breaker box or wall switch and, within 30 seconds, press and hold the "Learn" button for 10 seconds and release. Once pairing is successful, the blades will begin to spin and the light will also flash.
- Repeat the above process for the remote controls you want to work with this fan.



Operating - Your Fan and Remote Control

ALL ON/OFF

Press and release the ALL button to turn the fan and light on or off.



NOTE: On start up your ceiling fan will oscillate back and forth. This is NORMAL OPERATION for DC ceiling fans as it goes through its calibration cycle. The fan is NOT DEFECTIVE.

LED SPEED INDICATOR

LEDs will illuminate to the corresponding speed:

1 Light - Lowest speed

6 Lights - Highest speed

FAN ON/OFF

Press and release the fan button to turn the fan on or off.

FAN SPEED

Press and release the + button to increase the fan speed.

Press and release the - button to decrease the fan speed.

Comfort Breeze™

Press and release the Comfort Breeze™ button to simulate an outdoor breeze.

To cancel this feature press the Comfort Breeze button or other speed button.

TIMER

Pressing the timer button will automatically turn the fan off after 2, 4, or 8 hours (depending on button pressed).

Holding the timer button for 3 seconds will cancel this function.

FAN DIRECTION

Hold the SUMMER button for 3 seconds to rotate fan forward.

Hold the WINTER button for 3 seconds to rotate fan in reverse.



NOTE: The fan must be on and rotating prior to pressing the winter or summer button. The fan will not reverse direction if the fan is not moving.

LIGHT ON/OFF

Press and release the button to turn the light on or off.

DIMMING

Press and hold the (+) button to brighten light to the desired level.

Press and hold the (-) button to dim light to the desired level.

COLOR TEMPERATURE ADJUSTMENT

Push and release the button to cycle through the six color temperature options.

Option 1: 2700K (Warm White).

Option 2: 3000K (Soft White).

Option 3: 3500K (Neutral White).

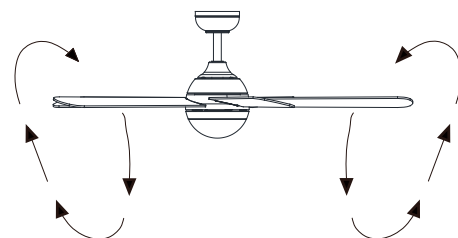
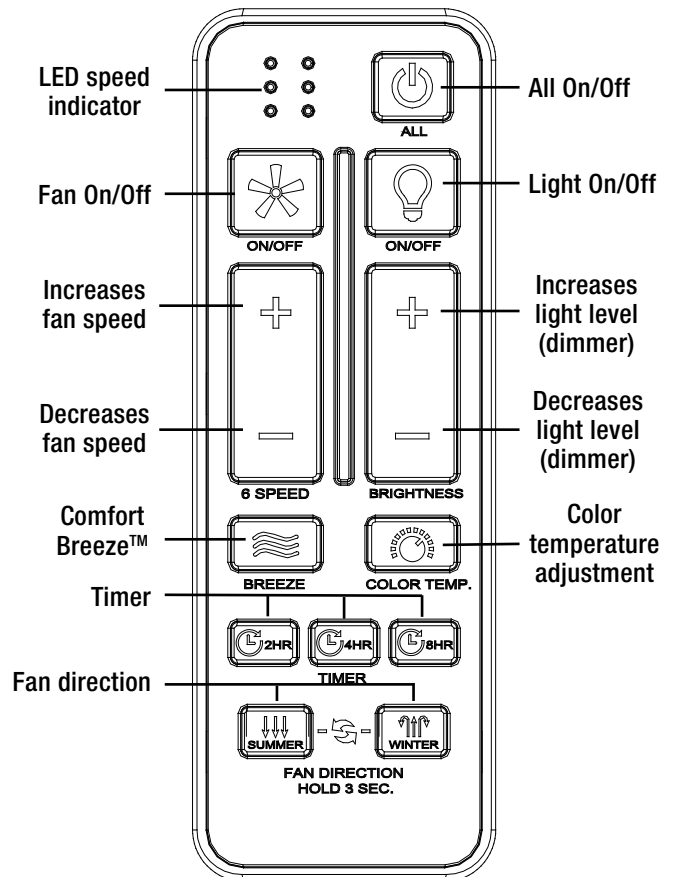
Option 4: 4000/4100K (Cool White).

Option 5: 5000K (Daylight).

Option 6: 6500K (Daylight Deluxe).

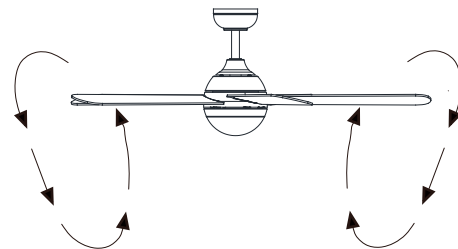


NOTE: The default temperature of the ceiling fan light is 3000K (Soft White).



Warm Weather - (Reverse)

A downward airflow creates a cooling effect. This allows you to set your air conditioner on a higher setting without affecting your comfort.



Cool Weather - (Reverse)

An upward airflow moves warm air off of the ceiling. This allows you to set your heating unit on a lower setting without affecting your comfort.

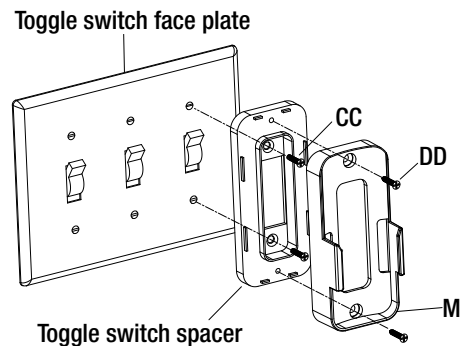
Assembly - Mounting the remote wall cradle



NOTE: The remote wall cradle is designed to allow you to access an existing switch. The remote wall cradle can be mounted on the wall or to the face plate of a standard toggle switch or a paddle switch. Follow the instructions below for the option that best suits your needs.

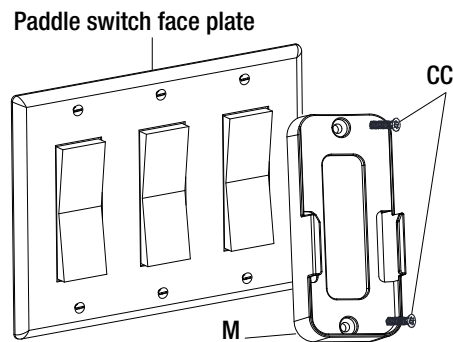
1a. Attaching over a standard toggle switch

- Remove the two screws from the toggle switch face plate.
- Place the toggle switch spacer over the toggle switch face plate and align the two large holes of the toggle switch spacer with the holes in the face plate. Secure the toggle switch spacer to the face plate using the two included machine screws (CC).
- Attach the remote wall cradle (M) to the toggle switch spacer using the included two short tapered screws (DD). Screw a short tapered screw (DD) into the top hole and bottom hole of the wall cradle and into the toggle switch spacer until tight.



1b. Attaching over a paddle switch

- Remove the two screws from the paddle switch face plate.
- Place the remote wall cradle (M) over the paddle switch and align the two holes of the remote wall cradle (M) with the holes in the face plate. Secure the remote wall cradle (M) to the face plate using the two included machine screws (CC).

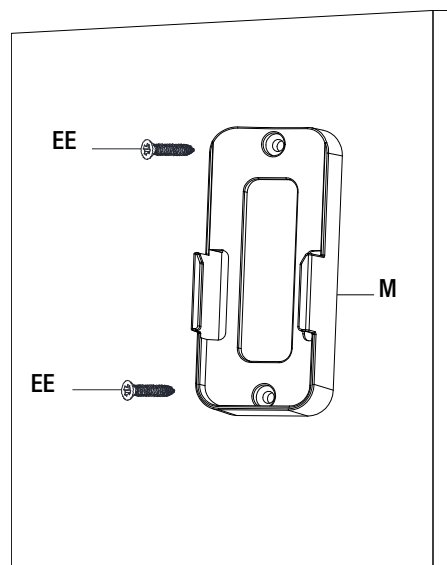


1c. Attaching to the wall



NOTE: Screw wall anchors are included for extra support. The included screws are designed to screw easily into the wall. If you would like a more permanent or secure hold, install the wall anchors prior to attaching the wall cradle to the wall.

- Position the remote wall cradle (M) in the desired position and attach to the wall using the included two long tapered screws (EE).



Application Set-up



NOTE: For more information on smart remote set up, please refer to the quick start guide located in the remote pack.



NOTE: To use Alexa to change the color temperature of the light, please make sure the light is turned on first.



Questions, problems missing parts?
Please call Hubspace Customer service
8 a.m. - 7 p.m. EST, Monday - Friday;
9 a.m. - 6 p.m., EST, Saturday
(877) 592-5233

1 Getting started

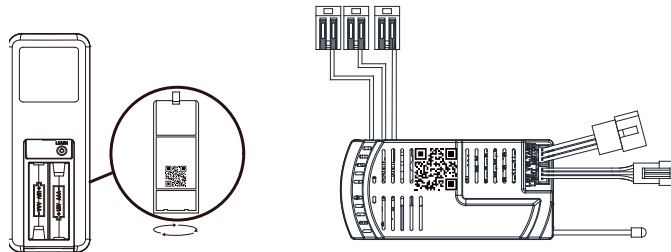
- Download the Hubspace™ app from the App Store or the Google Play Store to your mobile device.
- Launch the app.
- To register, enter your email address and a password. Or, login if you already have an account.
- Bluetooth access is required for device setup.

2 Verify your network

- Hubspace only shows Wi-Fi networks that your device can use. Check your network only if an option does not appear during set up.
- This Hubspace device requires a 2.4GHz Wi-Fi channel.
- Most routers provide a 2.4 GHz Wi-Fi channel.
- If you do not see your Wi-Fi network name when you attempt to connect your device, please check your router settings.

3 Add a device

- In the Hubspace app, tap the plus sign in the upper right corner.
- Scan your product's QR code. You can find the QR code on the remote receiver, inside the battery compartment cover of the remote, and on the Quick Start Guide paper included with the fan.



Scan problem?

If the QR code cannot be scanned for some reason, you can enter the code manually. Tap Enter Code and follow the instructions.

- Connect your device to power and follow the instructions on screen.

(For lighting and fan products only)

If you are unable to access the QR code for your light, you can put it into discovery mode with the following sequence:

- Switch the device off and on 5 times. The light will pulse to show that it can now be discovered.
- In the Hubspace app, tap the plus sign in the upper right corner and follow the instructions to discover devices. More than one device can be added at a time using this method.

4 Set up your voice assistant

- In the Hubspace app, tap the Hubspace button.
- Select the Integrations tab, choose your voice assistant and follow the instructions.

Problems connecting to Hubspace device, see “troubleshooting” on page 20.

Voice Commands

The Morland 52 in. LED Indoor/Cover outdoor Smart Color Changing Ceiling Fan works with Alexa and Google Assistant. This section lists some of the voice commands you can use. To view these and other commands, go to <http://hubspaceconnect.com>.

ALEXA

When you want to...	Ask Alexa to...
Turn on the fan only.	... turn on <device name> fan power.
Turn off the fan only.	... turn off <device name> fan power.
Turn on the light only.	... turn on <device name> light power.
Turn off the light only.	... turn off <device name> light power.
Change the brightness.	... Set <device name> brightness to 75%. ... Set <device name> light to 25%. ... Make <device name> dimmer. ... Make <device name> brighter. ... Dim <device name>. ... Brighten <device name>. ... Dim <group name>. ... Brighten <group name>.
Change the color temperature.	... Change <device name> to Cool White. ... Change <device name> to Warm White. ... Change <device name> to Daylight White. ... Change <device name> to White.
Change the fan speed.	... Set <device name> speed to fastest. ... Set <device name> speed to fast. ... Set <device name> speed to medium. ... Set <device name> speed to slow. ... Increase <device name> speed. ... Decrease <device name> speed.

GOOGLE

When you want to...	Ask Google to...
Turn on the fan only.	... turn on <device name> fan power.
Turn off the fan only.	... turn off <device name> fan power.
Turn on the light only.	... turn on <device name> light power.
Turn off the light only.	... turn off <device name> light power.
Change the brightness.	... Set <device name> brightness to 75%. ... Set <device name> light to 25%. ... Make <device name> dimmer. ... Make <device name> brighter. ... Dim <device name>. ... Brighten <device name>. ... Dim <group name>. ... Brighten <group name>.
Change the color temperature.	... Change <device name> to Cool White. ... Change <device name> to Warm White. ... Change <device name> to Daylight White. ... Change <device name> to White.
Change the fan speed.	... Set <device name> speed to fastest. ... Set <device name> speed to fast. ... Set <device name> speed to medium. ... Set <device name> speed to slow. ... Increase <device name> speed. ... Decrease <device name> speed.

Care and Cleaning



WARNING: Make sure the power is off before cleaning your fan.

- Because of the fan's natural movement, some connections may become loose. Check the support connections, brackets, and blade attachments twice a year. Make sure they are secure. It is not necessary to remove the fan from the ceiling.
- Clean your fan periodically to help maintain its new appearance over the years. Do not use water when cleaning, as this could damage the motor, or the wood, or possibly cause an electrical shock. Use only a soft brush or lint-free cloth to avoid scratching the finish.
- You can apply a light coat of furniture polish to the wood for additional protection and enhanced beauty. Cover small scratches with a light application of shoe polish.
- You do not need to oil your fan. The motor has permanently-lubricated sealed ball bearings.

Troubleshooting

Problem	Solution
The fan will not start.	<ul style="list-style-type: none"> □ Check the main and branch circuit fuses or breakers. □ Check to make sure the wall switch is in the on position if applicable. □ Check the line wire connections to the fan and switch wire connections in the switch housing. □ Check the battery in the transmitter. □ Ensure you are in the normal range of 10-20 feet. □ Remember to turn off the power supply before checking the dip switches settings.
The fan is noisy.	<ul style="list-style-type: none"> □ Ensure all motor housing screws are snug. □ Ensure the screws that attach the fan blade bracket to the motor hub are tight. □ Ensure the wire nut connections are not rattling against each other or the interior wall of the switch housing. □ Allow a 24-hour "breaking in" period. Most noises associated with a new fan disappear during this time. □ If you are using the ceiling fan light kit, ensure the screws securing the glassware are tight. Check that the light bulbs are also secure. □ Ensure the canopy is a short distance from the ceiling. It should not touch the ceiling. □ Ensure your outlet box is secure and rubber isolator pads were used between the mounting plate and outlet box.
The fan wobbles.	<ul style="list-style-type: none"> □ Check that all blade and blade arm screws are secure. □ Most fan wobble problems are caused when blade levels are unequal. Check this level by selecting a point on the ceiling above the tip of one of the blades. Measure from a point on the center of each blade to the point on the ceiling. Rotate the fan until the next blade is positioned for measurement. Repeat for each blade. Any measurement deviation should be within 1/8 inch. Run the fan for ten minutes. If the fan continues to wobble please contact customer service and a balancing kit will be sent to you at no charge.
The fan moves backwards and forwards when turned on.	<ul style="list-style-type: none"> □ This is normal start-up procedure for DC motor fans. The partial movement during start-up is the result of the DC motor aligning the internal magnetic poles for proper motor operation. This design saves electricity and allows the fan to operate much more quietly than standard AC motor fans
Hubspace™ Troubleshooting	
My hubspace device is not connecting to Wi-Fi.	<ul style="list-style-type: none"> □ Make sure your device is connected to a power source. □ Your Internet connection or Wi-Fi network may be down.
My device cannot find any Wi-Fi networks.	<ul style="list-style-type: none"> □ Make sure you have a 2.4GHz capable Wi-Fi network within range of the device you are trying to add.
My device is in a location that does not have Wi-Fi. Can I still use it with the Hubspace app?	<p>Yes:</p> <ul style="list-style-type: none"> □ Use the app on a phone with an Internet connection like LTE. □ The phone must be within Bluetooth range of your Hubspace device.
I cannot find the QR code.	<ul style="list-style-type: none"> □ Look for it where other stickers are on the product. A copy of the QR code is also included in your device's documentation.
The QR code has become damaged. How do I add the device?	<ul style="list-style-type: none"> □ Under the QR code are numbers. You can enter those in manually instead of scanning the code.
How do I reset the device?	<ul style="list-style-type: none"> □ Remove the device from your account, then add it back. Devices also reset when they transfer to a new account.
A device is on another account. How do I transfer it?	<ul style="list-style-type: none"> □ Scan the QR code and it will transfer to your account.
My device is offline for long periods of time.	<ul style="list-style-type: none"> □ Make sure your Wi-Fi signal strength is sufficient. You may need to move your router, use mesh Wi-Fi, or Wi-Fi extenders.
The device is on and I scanned the QR code, but the app cannot connect to it.	<ul style="list-style-type: none"> □ Turn off Bluetooth on your phone and turn it back on. Then, scan the QR code.
Can I scan the same QR code to add multiple products?	<ul style="list-style-type: none"> □ No. Each product has a unique QR code.

HAMPTON BAY[®]

Questions, problems, missing parts? Before returning to the store,
call Hampton Bay Customer Service
8 a.m. – 7 p.m., EST, Monday – Friday, 9 a.m. – 6 p.m., EST, Saturday

1-855-HD-HAMPTON

HAMPTONBAY.COM

Retain this manual for future use.

This equipment has been tested and found to comply with the limits for a Class B digital device, pursuant to Part 15 of the FCC Rules. These limits are designed to provide reasonable protection against harmful interference in a residential installation. This equipment generates, uses and can radiate radio frequency energy and, if not installed and used in accordance with the instructions, may cause harmful interference to radio communications. However, there is no guarantee that interference will not occur in a particular installation. If this equipment does cause harmful interference to radio or television reception, which can be determined by turning the equipment off and on, the user is encouraged to try to correct the interference by one or more of the following measures:

- Reorient or relocate the receiving antenna.
- Increase the separation between the equipment and receiver.
- Connect the equipment into an outlet on a circuit different from that to which the receiver is connected.
- Consult the dealer or an experienced radio/TV technician for help.

CAUTION:

Any changes or modifications not expressly approved by the grantee of this device could void the user's authority to operate the equipment.

This device complies with Part 15 of the FCC Rules. Operation is subject to the following two conditions: (1) This device may not cause harmful interference, and (2) this device must accept any interference received, including interference that may cause undesired operation.

Responsible Party - U.S. Contact Information: King of Fans, Inc 1951 NW 22nd Street, Fort Lauderdale, FL 33311, (954) 484-7500