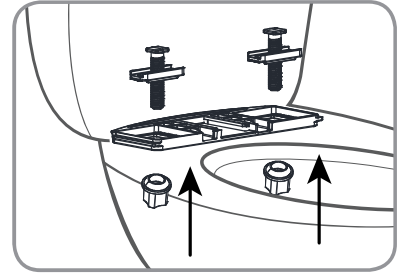


## CONNECTING COLD WATER SUPPLY (CONT.)

### 5. Install Mounting Plate

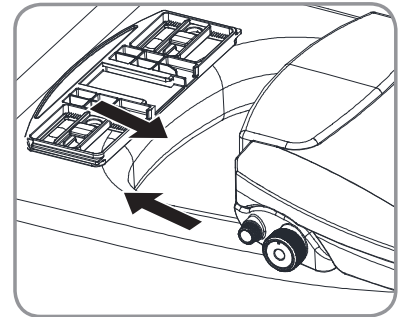
- a. Place Adjustable Mounting Plate over mounting holes on toilet, rubber side faces down, curved edge faces toward the toilet tank.
- b. Place the Adjustable Brackets groove side down on the center of the square opening in the Mounting Plate, then insert Mounting Bolts through the Adjustable Brackets and through the bolt holes in your toilet. Be sure that the square Mounting Bolt Head is flush with the sides of the Adjustable Bracket.
- c. Slide Barrel Nut onto Mounting Bolts under the toilet bowl and tighten to keep mounting plate in place.



Steps 5b & 5c

### 6. Attach the Swash to the Mounting Plate

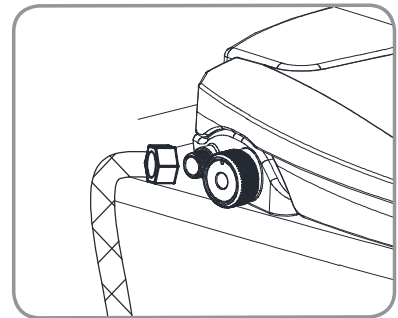
- a. Set the Swash flat on the toilet bowl in front of the Mounting Plate and slide Swash onto plate until it is secure and “clicks” into place.
- b. If the Swash appears too short or too long for the toilet, adjust the Mounting Plate accordingly. To adjust the Mounting Plate, loosen Barrel Nuts underneath the toilet and slide Swash forward or backwards as needed. Once the Swash is lined up properly, tighten Barrel Nuts to hold in place.



Step 6a

#### NOTES:

- If you follow the mounting directions in 6b and your seat still won't mount flush with the lip of your toilet, depending on the width of your toilet's bolt spread, you can insert the bolts through the top brackets above the main brackets on your Mounting Plate to move your seat up another  $\frac{3}{4}$  inches.



Step 7a

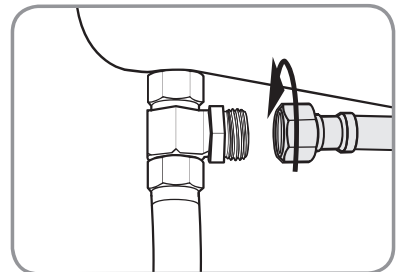
### 7. Connect the Bidet Hose to the Cold Water Inlet

- a. Connect the Bidet Hose to the Cold Water Inlet. Hand-tighten to secure. Take care not to twist the bidet hose, excessively bend it, or strip the plastic screw threads when screwing the hose onto the bidet seat.

### 8. Connect the open end of the Bidet Hose to the T-valve.

### 9. Turn on water supply

- a. Open the main water supply valve slowly and check for leaks.
- b. Wait 5 minutes, check again, and if there are no leaks, continue.



Step 8

# PRODUCT OPERATION

## SWASH OPERATION

With the intuitive Wash Control Dial on the right-hand side of your seat, you can easily select your wash settings and water pressure using these instructions:

### Off

To close off the valve and stop the flow of water, turn the dial back to its original center position so that the indicator hash on the dial aligns with the top notch on the body of the seat.

### Front Cleansing

For front (feminine) wash, turn the dial clockwise (or roll it forward) while seated. The further the dial is turned, the stronger the water pressure will be.

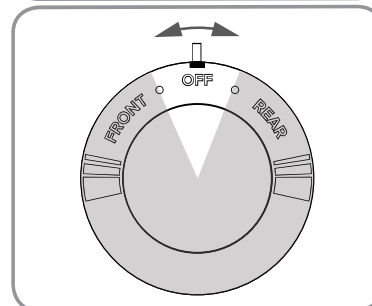
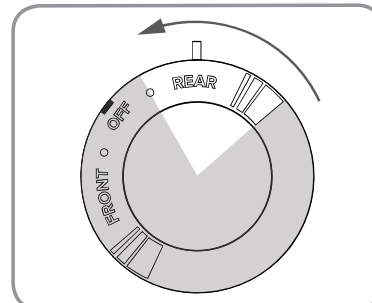
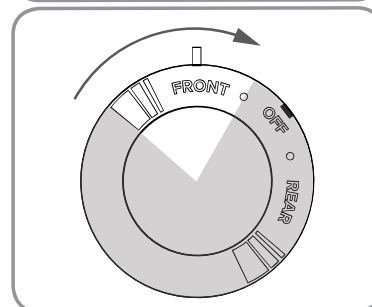
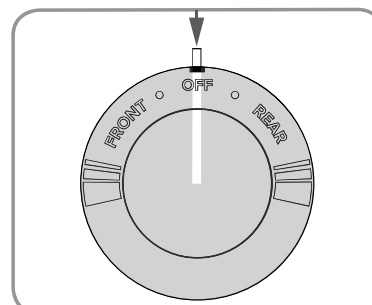
### Rear Cleansing

For rear (posterior) wash, turn the dial counterclockwise (or roll it back) while seated. The further the dial is turned, the stronger the water pressure will be.

### Self-Cleaning Nozzles

The nozzles will initially go through a brief self-clean as you turn the dial between front cleansing and rear cleansing and will last as long as the dial is in that position.

*(Non-shaded area represents active setting.)*



# PRODUCT SPECIFICATIONS

---

## TECHNICAL SPECIFICATIONS

S101 SWASH ECOSEAT	
Model	Ecosat Ambient Temperature
Supply Water Pressure	14 psi – 100 psi
Dimensions	Elongated: 14.39 in x 20.03 in x 2.55 in Round: 14.34 in x 18.47 in x 2.55 in
Weight	Elongated: 4.3 lbs / Round: 4.5 lbs
Seat / Lid Weight Limit	330 lbs / 330 lbs